



US00D788927S

(12) **United States Design Patent** (10) **Patent No.:** **US D788,927 S**  
**Yao** (45) **Date of Patent:** **\*\* Jun. 6, 2017**

(54) **BUFFER**  
(71) Applicant: **DENSMART DENTAL CO., LTD.,**  
Taoyuan (TW)  
(72) Inventor: **Yin Chao Yao,** Taoyuan (TW)  
(73) Assignee: **DENSMART DENTAL CO., LTD.,**  
Taoyuan (TW)  
(\*\*) Term: **15 Years**  
(21) Appl. No.: **29/553,519**  
(22) Filed: **Feb. 2, 2016**  
(51) **LOC (10) Cl.** ..... **24-01**  
(52) **U.S. Cl.**  
USPC ..... **D24/176**  
(58) **Field of Classification Search**  
USPC ..... D24/10, 110.5, 112, 119, 127, 137, 152,  
D24/161, 176-182; D29/108; 433/25,  
433/140; 428/35.2  
CPC ..... A61C 17/00; A61C 17/02; A61C 17/14;  
A61C 17/22; A61C 15/00; A61C 3/04  
See application file for complete search history.

8,507,058 B2 \* 8/2013 Motoyama ..... A61B 6/14  
378/168  
D711,530 S \* 8/2014 Gleason, Jr. .... D24/112  
2013/0171582 A1 \* 7/2013 Nishikibe ..... A61C 3/03  
433/86  
2015/0079538 A1 \* 3/2015 Li ..... A61C 5/045  
433/81

\* cited by examiner

*Primary Examiner* — Wan Laymon

*Assistant Examiner* — Clint A Samuel

(74) *Attorney, Agent, or Firm* — Rabin & Berdo, P.C.

(57) **CLAIM**

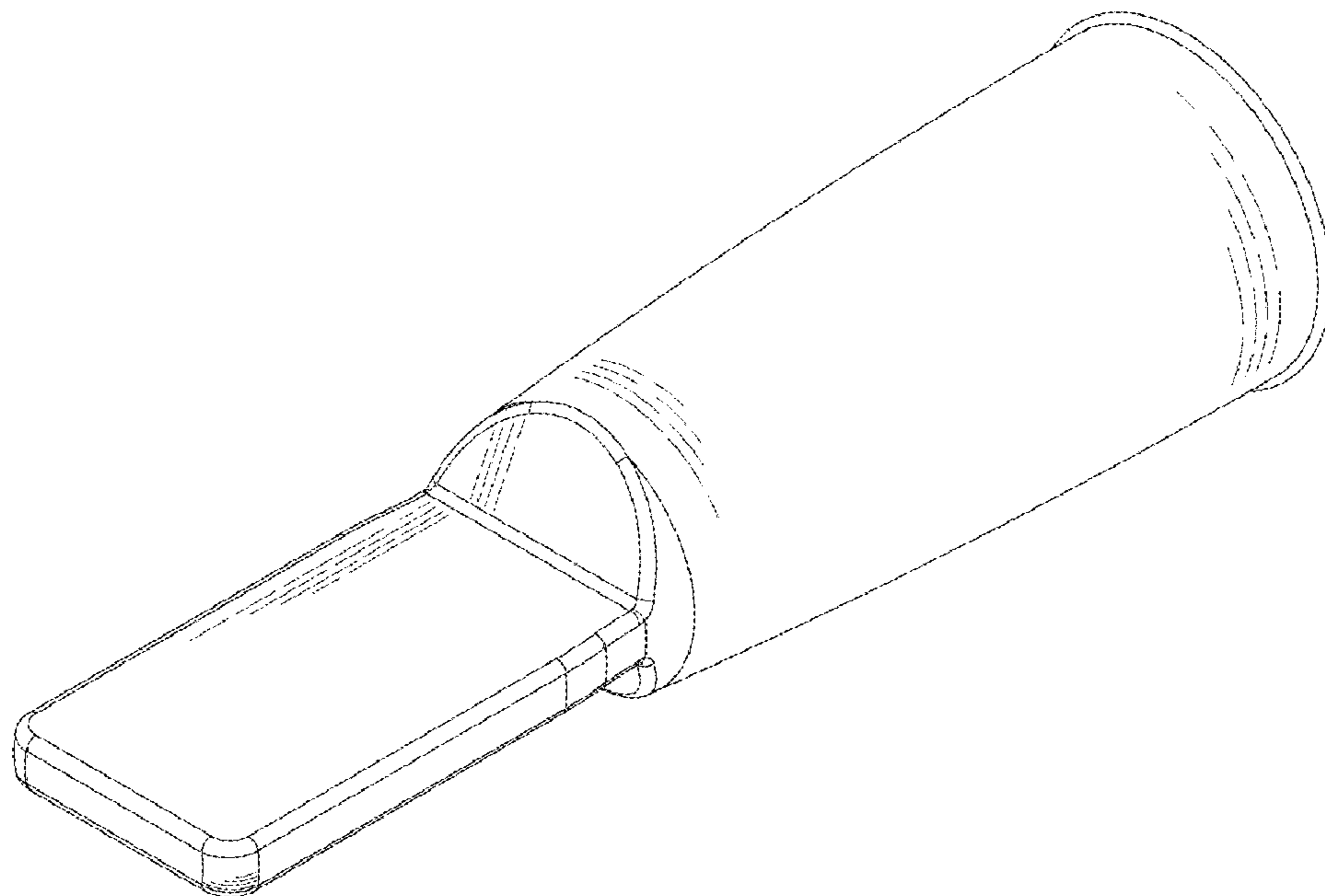
The ornamental design for a buffer, as shown and described.

**DESCRIPTION**

FIG. 1 is a perspective view of a buffer showing my new design;  
FIG. 2 is a front view thereof;  
FIG. 3 is a rear view thereof;  
FIG. 4 is a left side view thereof;  
FIG. 5 is a right side view thereof;  
FIG. 6 is a top view thereof;  
FIG. 7 is a bottom view thereof; and,  
FIG. 8 is a front right perspective view of the buffer in a state of elastic deformation in a use mode which accommodates a digital X-ray sensitive device.  
The broken lines shown in the drawings form no part of the claimed design.

**1 Claim, 5 Drawing Sheets**

(56) **References Cited**  
U.S. PATENT DOCUMENTS  
D292,825 S \* 11/1987 Dragan ..... D24/112  
D300,561 S \* 4/1989 Asa ..... D24/112  
D382,640 S \* 8/1997 Paul ..... D24/137  
D456,078 S \* 4/2002 Peterson ..... D24/143  
D558,345 S \* 12/2007 Witt ..... D24/152  
D655,812 S \* 3/2012 Ramini ..... D24/112  
D674,487 S \* 1/2013 Kile ..... D24/152



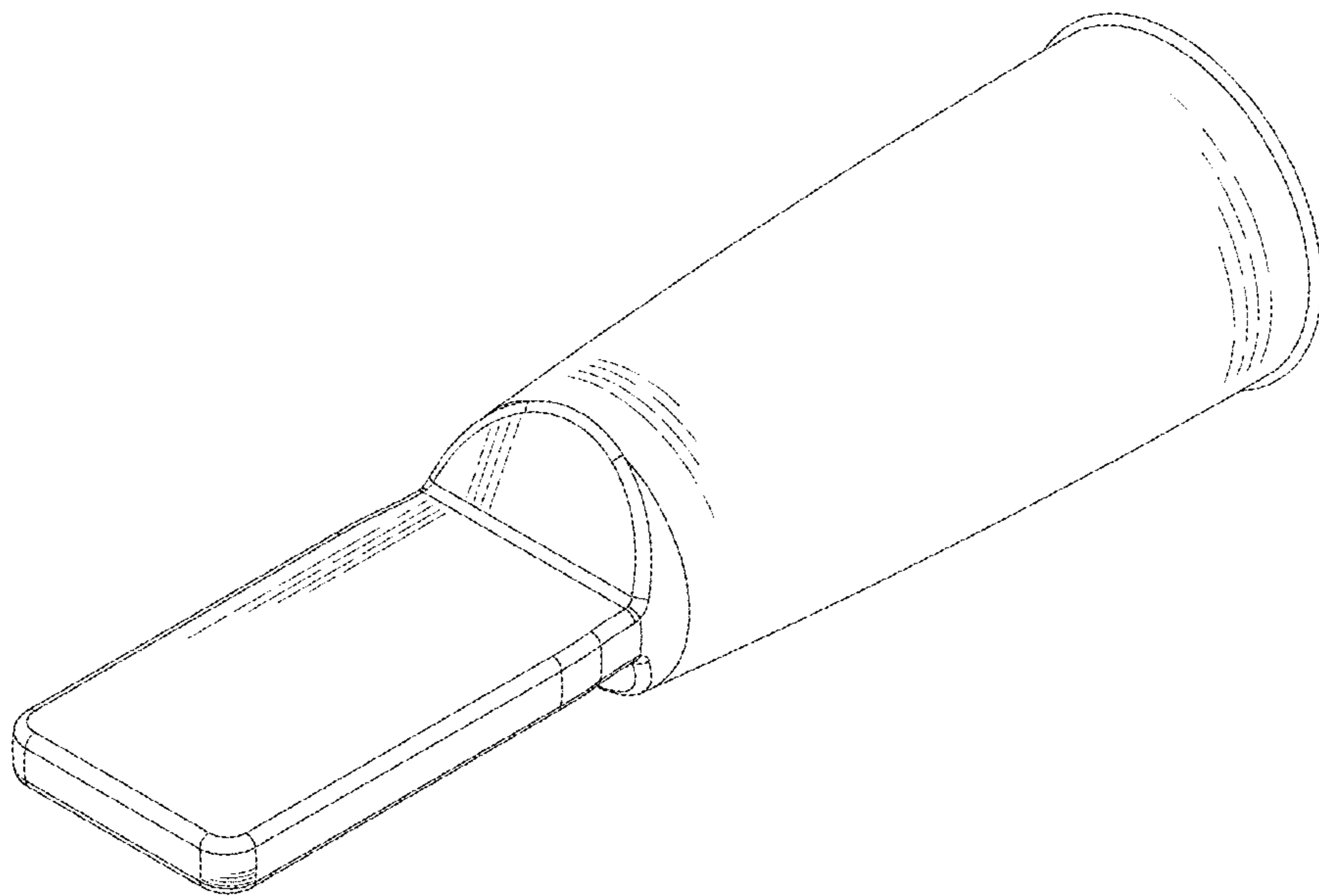


FIG. 1

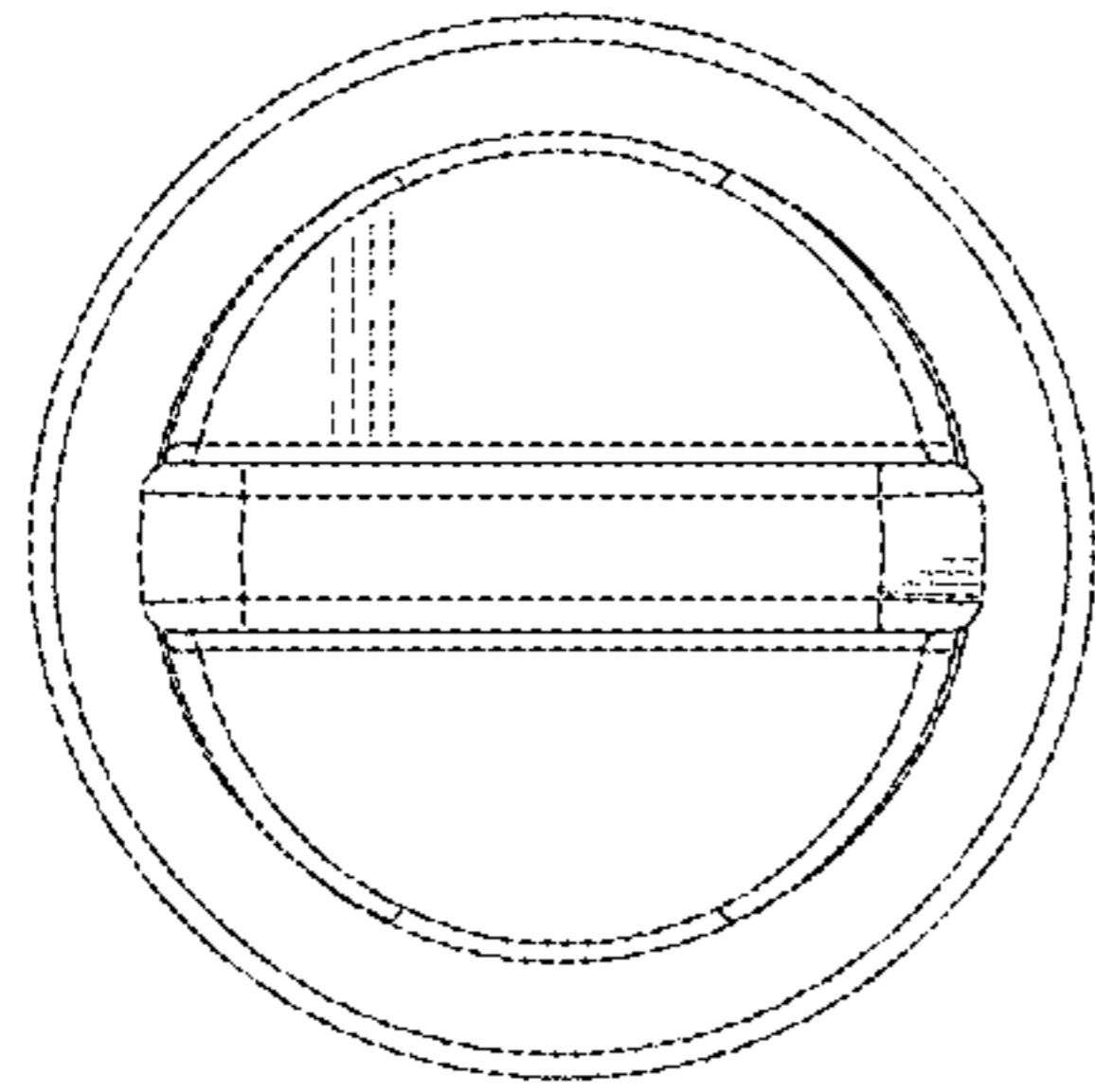


FIG. 2

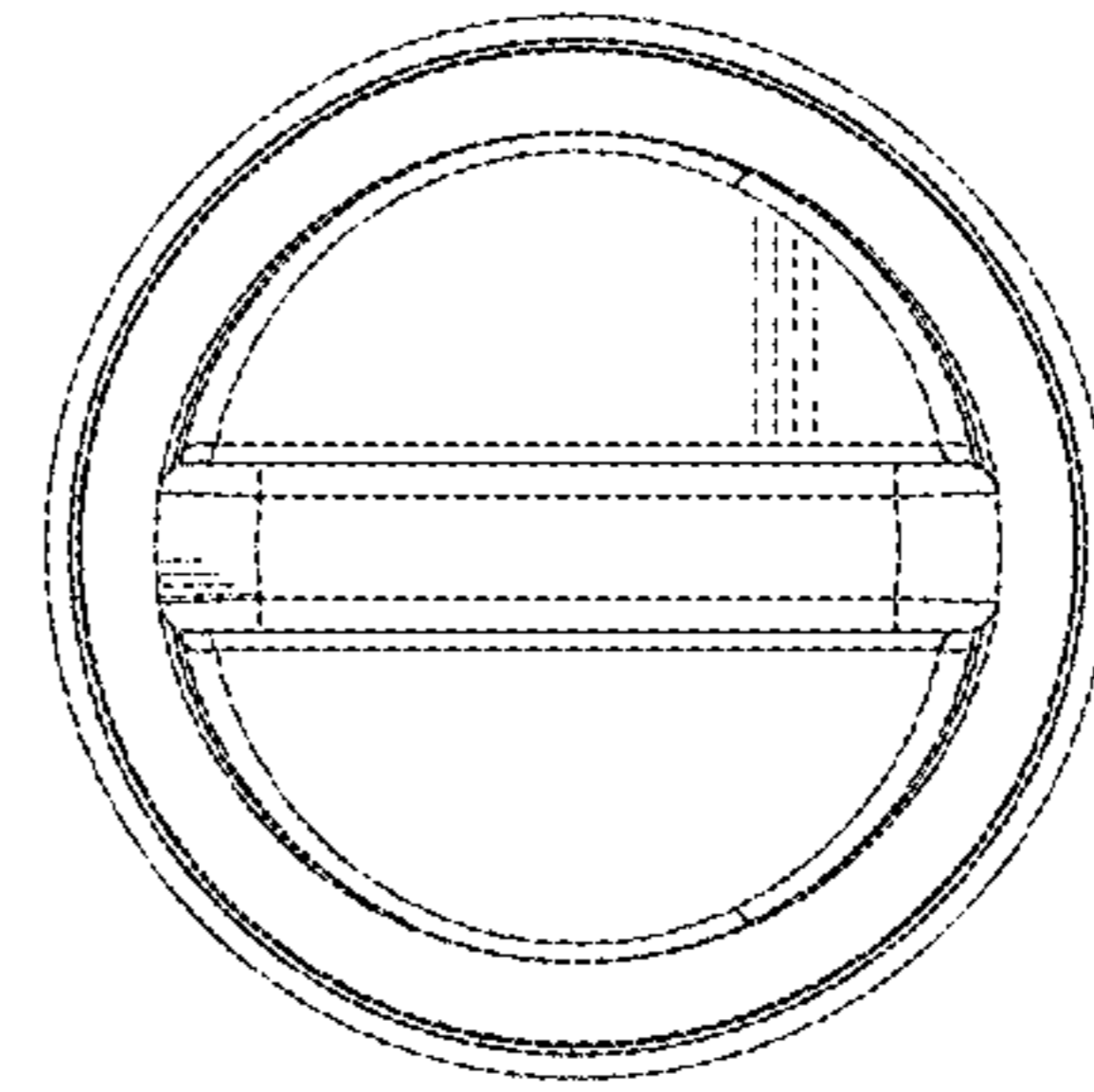


FIG. 3

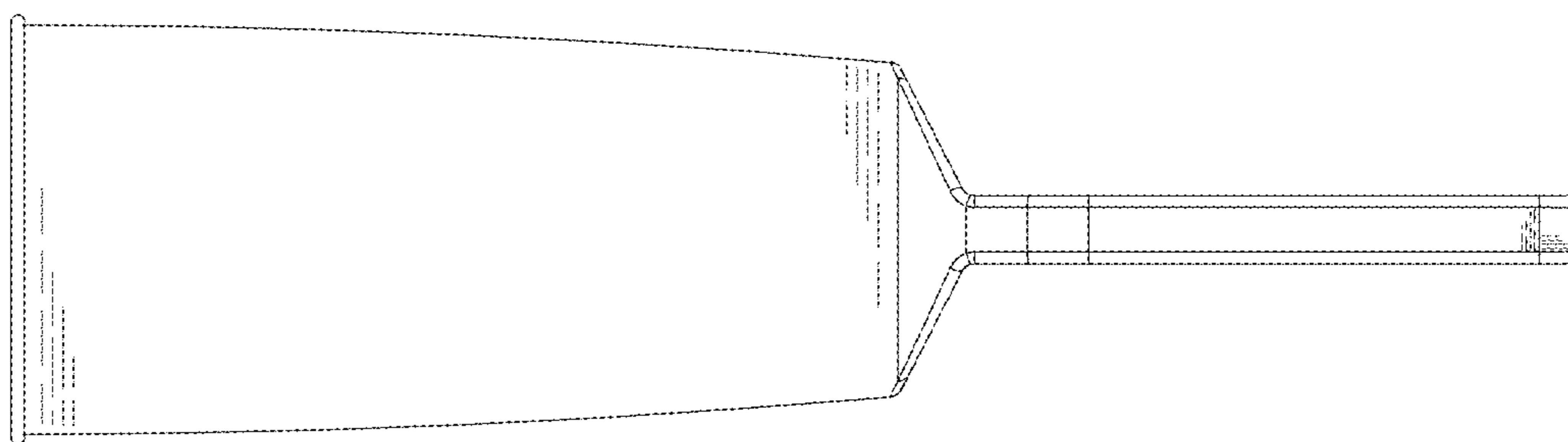


FIG. 4

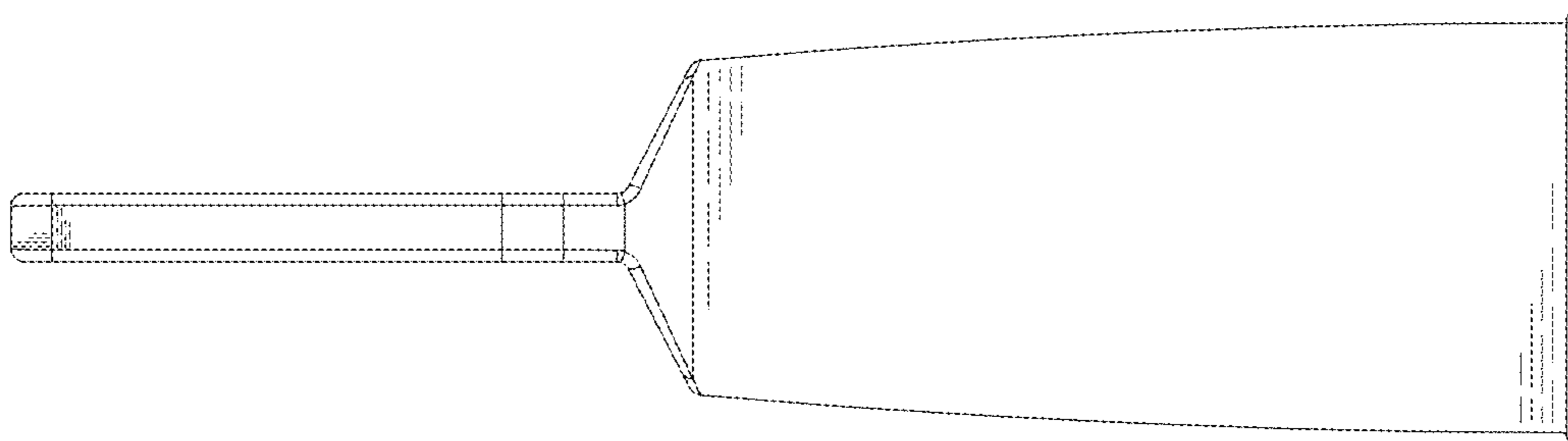


FIG. 5

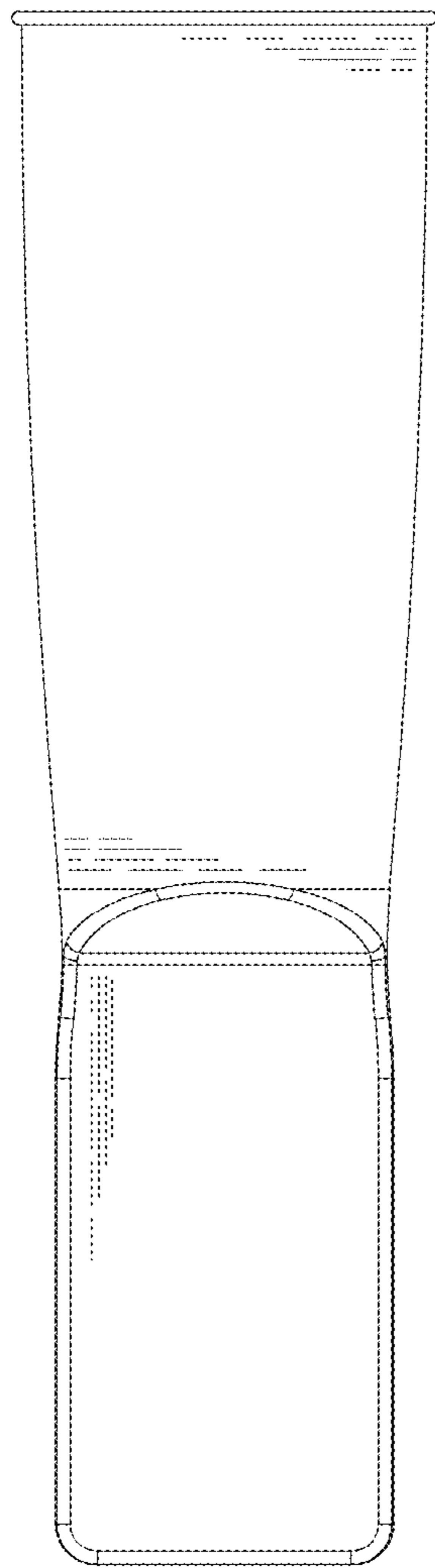


FIG. 6

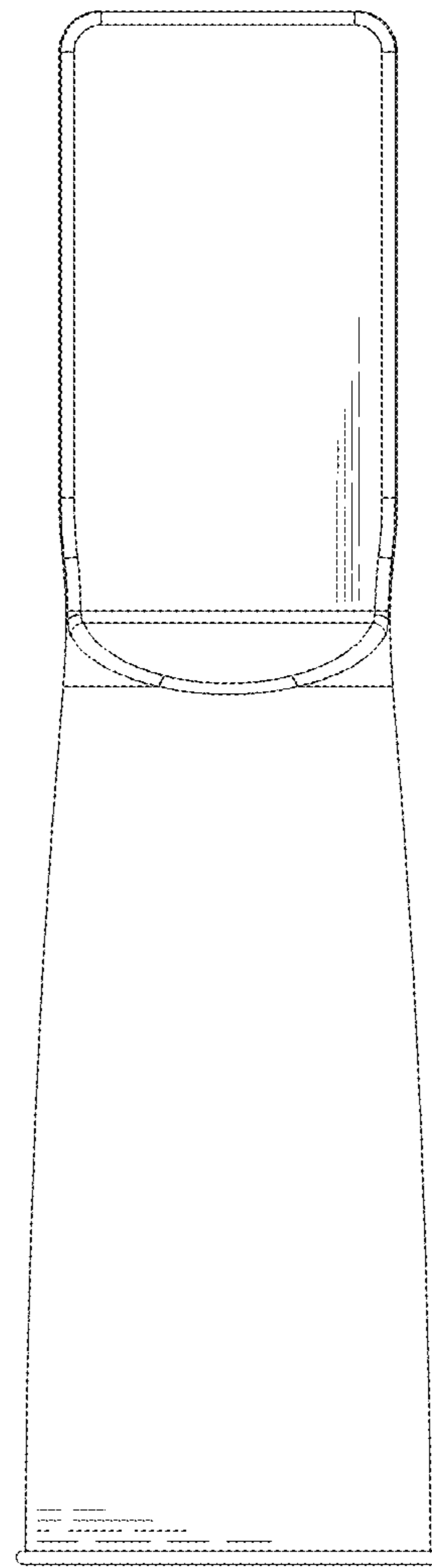


FIG. 7

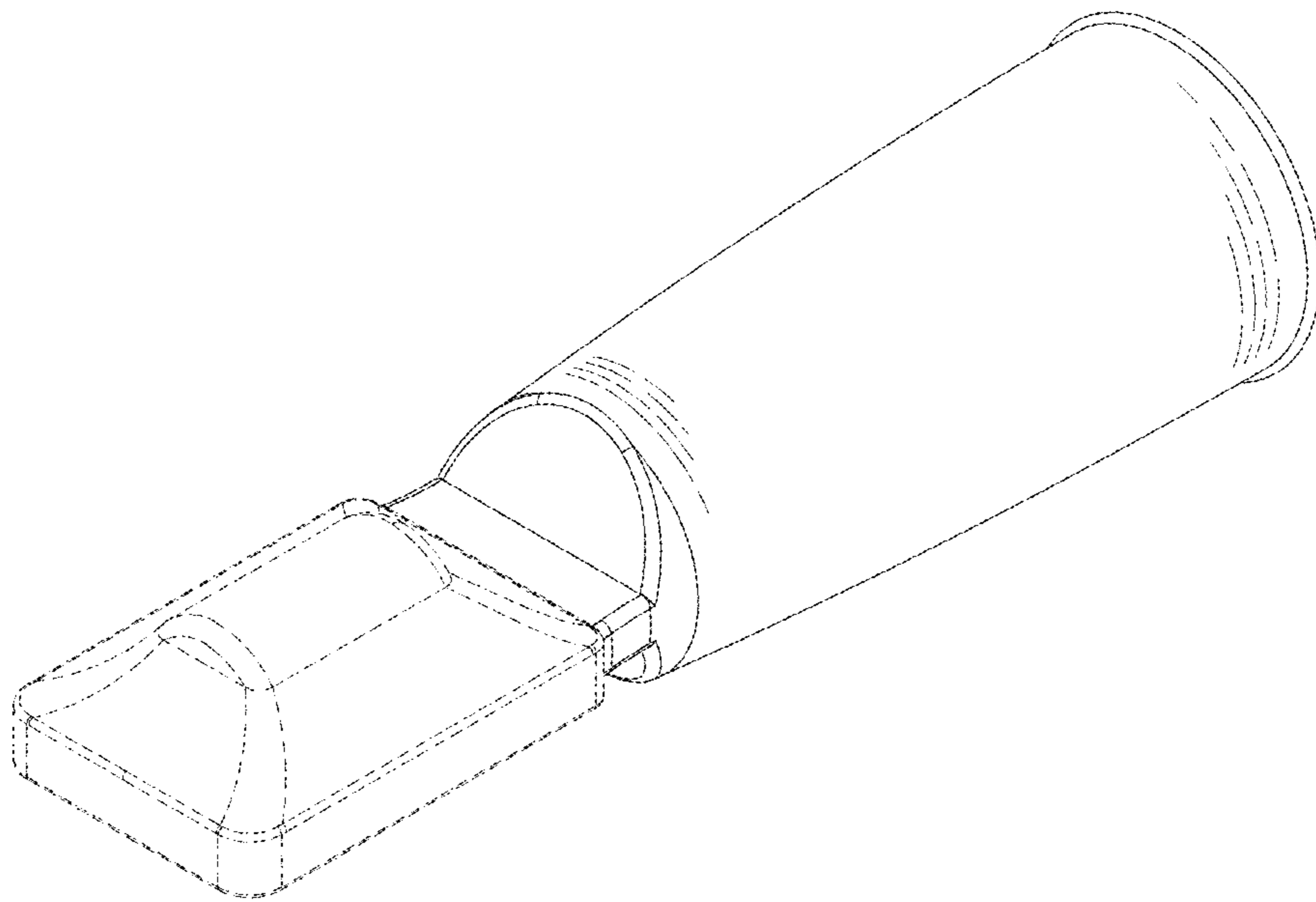


FIG. 8