



US00D788925S

(12) **United States Design Patent** (10) **Patent No.:** **US D788,925 S**  
**Brönnimann et al.** (45) **Date of Patent:** **\*\* Jun. 6, 2017**

(54) **IMPLANT** 4,217,664 A 8/1980 Faso  
5,098,397 A 3/1992 Svensson et al.  
(71) Applicant: **OSTOMYCURE AS**, Oslo (NO) 5,269,774 A 12/1993 Gray  
(Continued)

(72) Inventors: **Benedict Brönnimann**, Penthaz (CH);  
**Mats Erik Kindahl Cardell**,  
Sollentuna (SE); **Jan Anders Berglund**,  
Järfälla (SE); **Robert Axelsson**, Gränna  
(SE)

**FOREIGN PATENT DOCUMENTS**

EP 0 477 475 B1 4/1992  
EP 1 632 201 B1 3/2006  
(Continued)

(73) Assignee: **Ostomycure AS**, Oslo (NO)

**OTHER PUBLICATIONS**

(\*\*) Term: **15 Years**

Search Report, Appl. No. EP 07114671, Dec. 4, 2007.

(21) Appl. No.: **29/541,457**

(Continued)

(22) Filed: **Oct. 2, 2015**

*Primary Examiner* — Charles Hanson

(74) *Attorney, Agent, or Firm* — Winston & Strawn LLP

**Related U.S. Application Data**

(62) Division of application No. 29/471,220, filed on Oct. 29, 2013, now Pat. No. Des. 752,750.

(57) **CLAIM**

The ornamental design for an implant, as shown and described.

(30) **Foreign Application Priority Data**

**DESCRIPTION**

Apr. 30, 2013 (WO) ..... DM/080805

(51) **LOC (10) Cl.** ..... **24-02**

(52) **U.S. Cl.**  
USPC ..... **D24/155**

(58) **Field of Classification Search**  
USPC ..... D24/155, 144, 127-129, 118  
CPC ..... A61F 5/445; A61F 5/448; A61F 5/4405;  
A61F 2/91; A61F 2005/4455; A61M  
39/0247; A61M 2039/0261  
See application file for complete search history.

FIG. 1 is a top perspective view of an implant according to the present invention.

FIG. 2 is a top view of the implant of FIG. 1.

FIG. 3 is a bottom perspective view of the implant of FIG. 1.

FIG. 4 is a bottom view of the implant of FIG. 1.

FIG. 5 is a front side view of the implant of FIG. 1.

FIG. 6 is a back side view of the implant of FIG. 1.

FIG. 7 is a left side view of the implant of FIG. 1; and,

FIG. 8 is a right side view of the implant of FIG. 1.

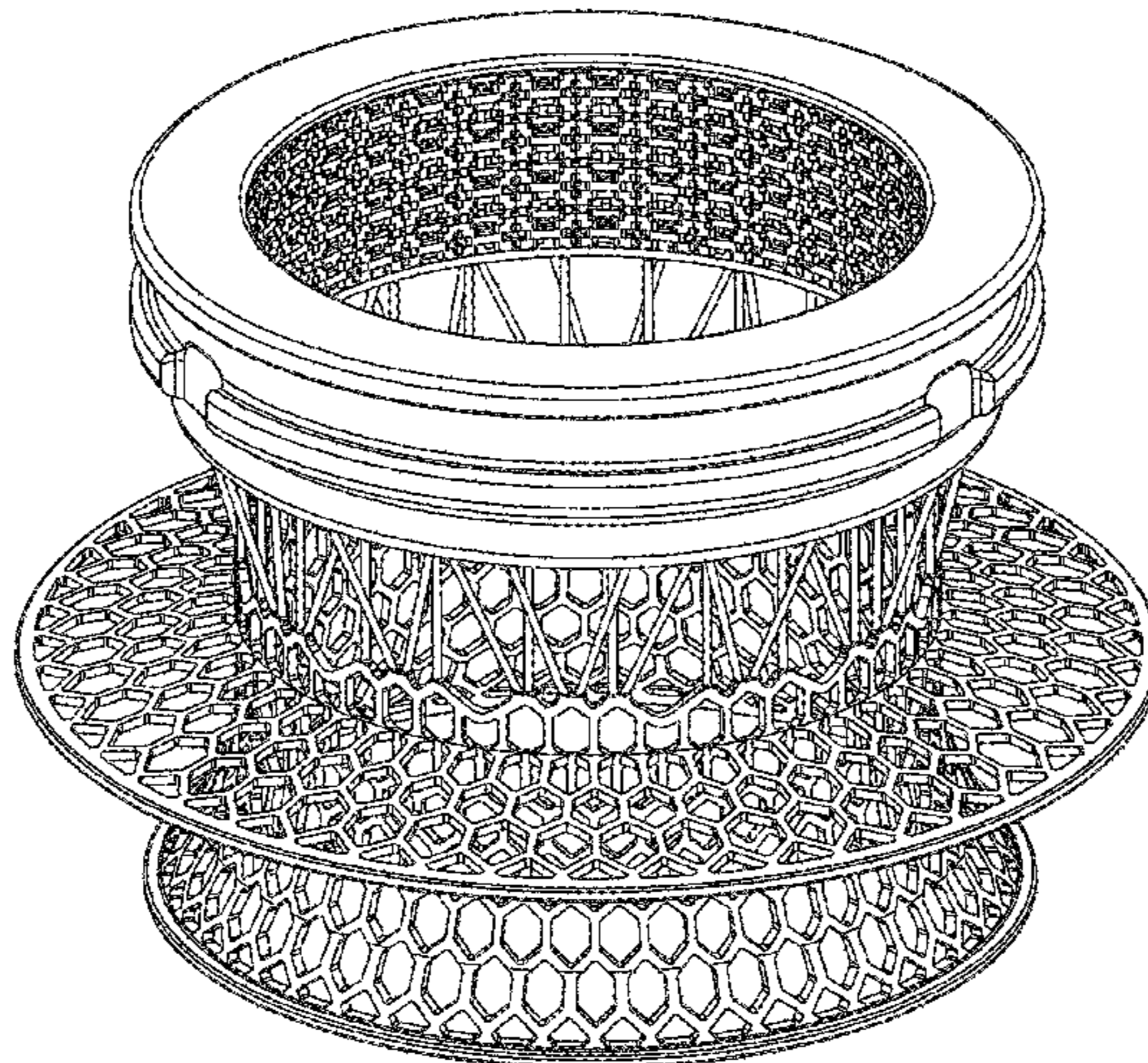
The present invention relates to implants that are preferably used as ostomy implants in applications where infiltration, penetration, or pass through of material through the implants is required. The present have a novel ornamental appearance compared to other porous structures such as screens, perforated sheets or mesh.

(56) **References Cited**

**U.S. PATENT DOCUMENTS**

3,663,965 A 5/1972 Lee, Jr. et al.  
3,736,934 A 6/1973 Hennessy  
4,119,100 A 10/1978 Rickett  
4,183,357 A 1/1980 Bentley et al.

**1 Claim, 8 Drawing Sheets**



(56)

References Cited

U.S. PATENT DOCUMENTS

5,423,761 A 6/1995 Hein et al.  
 5,425,761 A 6/1995 Lundgren  
 5,882,341 A 3/1999 Bousquet  
 6,017,355 A 1/2000 Hessel et al.  
 6,438,397 B1 8/2002 Bosquet et al.  
 7,935,096 B2 5/2011 Johansson et al.  
 8,449,512 B2 5/2013 Villani et al.  
 8,647,304 B2\* 2/2014 Axelsson ..... 604/164.04  
 8,821,462 B2\* 9/2014 Axelsson ..... A61F 5/445  
 604/332

8,998,862 B2 4/2015 Hanuka et al.  
 2001/0051794 A1 12/2001 Bestetti et al.  
 2002/0099344 A1 7/2002 Hessel et al.  
 2004/0006396 A1 1/2004 Ricci et al.  
 2006/0052759 A1 3/2006 Johansson et al.  
 2007/0132155 A1 6/2007 Burgermeister et al.  
 2009/0192464 A1 7/2009 Axelsson et al.  
 2010/0131050 A1 5/2010 Zhao  
 2011/0092929 A1 4/2011 Weig  
 2011/0178540 A1 7/2011 Axelsson et al.  
 2011/0196324 A1 8/2011 Johansson et al.  
 2011/0251452 A1 10/2011 Villani et al.  
 2011/0316919 A1 12/2011 Baldy et al.  
 2012/0123361 A1 5/2012 Johansson et al.  
 2013/0197458 A1 8/2013 Salama  
 2014/0052085 A1 2/2014 Johansson et al.

FOREIGN PATENT DOCUMENTS

EP 1 825 839 A1 8/2007  
 EP 2 027 835 A1 2/2009  
 GB 2 045 084 A 10/1980  
 GB 2 105 197 A 3/1983

JP 2002-507901 A 3/2002  
 WO 92/08499 A1 5/1992  
 WO 98/58691 A1 12/1998  
 WO 00/62722 A1 10/2000  
 WO 01/08597 A1 2/2001  
 WO 2005/056079 A1 6/2005  
 WO 2007/099500 A1 9/2007  
 WO 2009/024568 A1 2/2009  
 WO 2010/000851 A2 1/2010  
 WO 2010/125346 A1 11/2010  
 WO 2011/126724 A1 10/2011  
 WO 2012/007755 A2 1/2012  
 WO 2012/131351 A2 10/2012

OTHER PUBLICATIONS

Search Report, Appl. No. GB 1105126.5, Jul. 15, 2011.  
 Search Report, Appl. No. GB 1105126.5, Jan. 20, 2012.  
 International Search Report and Written Opinion, Appl. No. PCT/IB2007/050646, Jul. 27, 2007.  
 International Search Report, Appl. No. PCT/EP2008/060837, Nov. 7, 2008.  
 International Search Report and Written Opinion, Appl. No. PCT/GB2012/050668, Sep. 28, 2012.  
 U.S. Appl. No. 12/280,610, Restriction Requirement, Dec. 23, 2010.  
 U.S. Appl. No. 12/280,610, Non-Final Office Action, Mar. 22, 2011.  
 U.S. Appl. No. 12/280,610, Applicant-Initiated Interview Summary, Sep. 16, 2011.  
 U.S. Appl. No. 12/280,610, Non-Final Office Action, Mar. 16, 2012.  
 U.S. Appl. No. 12/280,610, Final Office Action, Jan. 9, 2013.  
 U.S. Appl. No. 12/280,610, Advisory Action, Mar. 15, 2013.  
 U.S. Appl. No. 12/280,610, Applicant-Initiated Interview Summary, Apr. 12, 2013.  
 U.S. Appl. No. 12/280,610, Notice of Allowance, Oct. 17, 2013.

\* cited by examiner

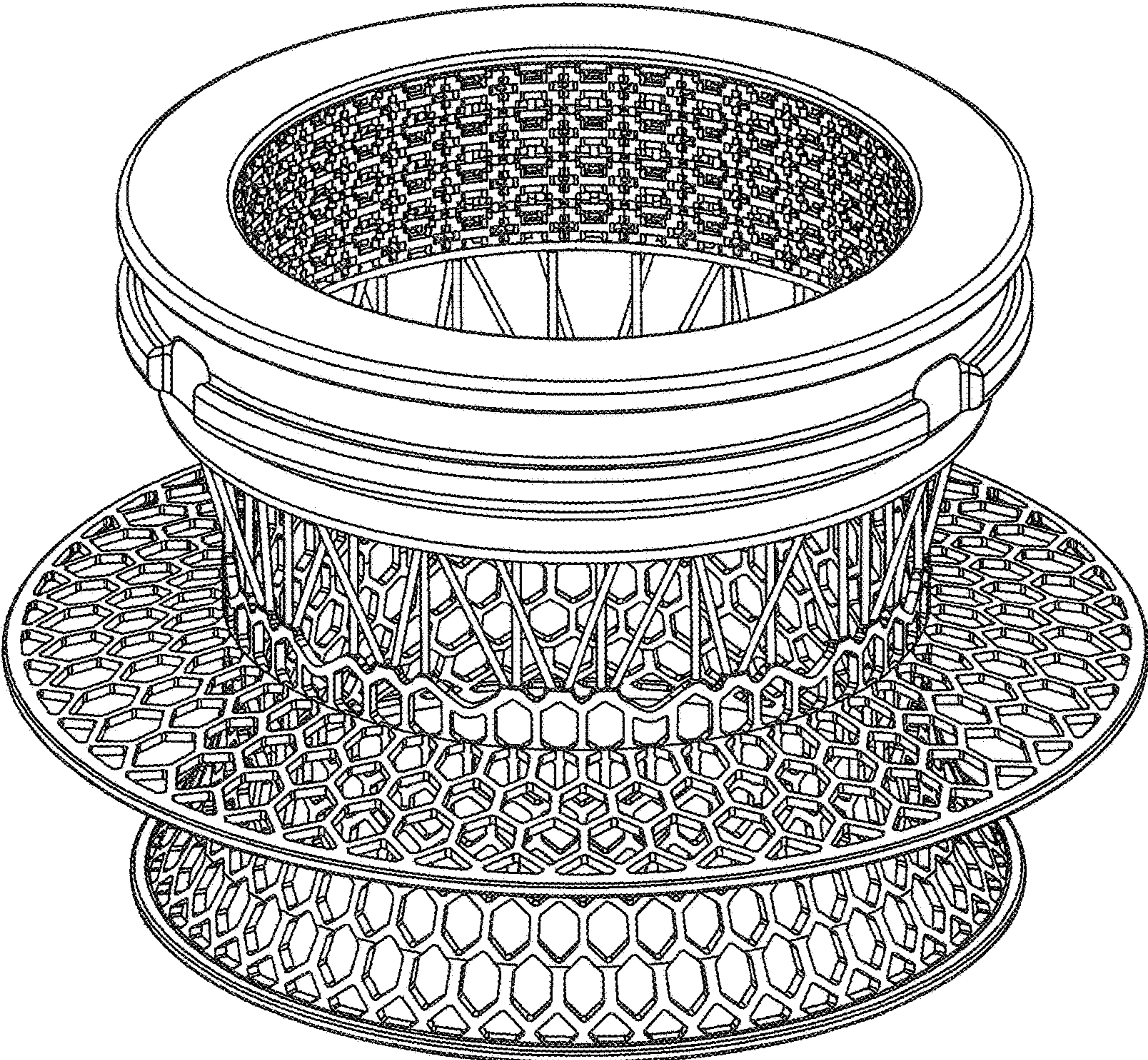


FIG. 1

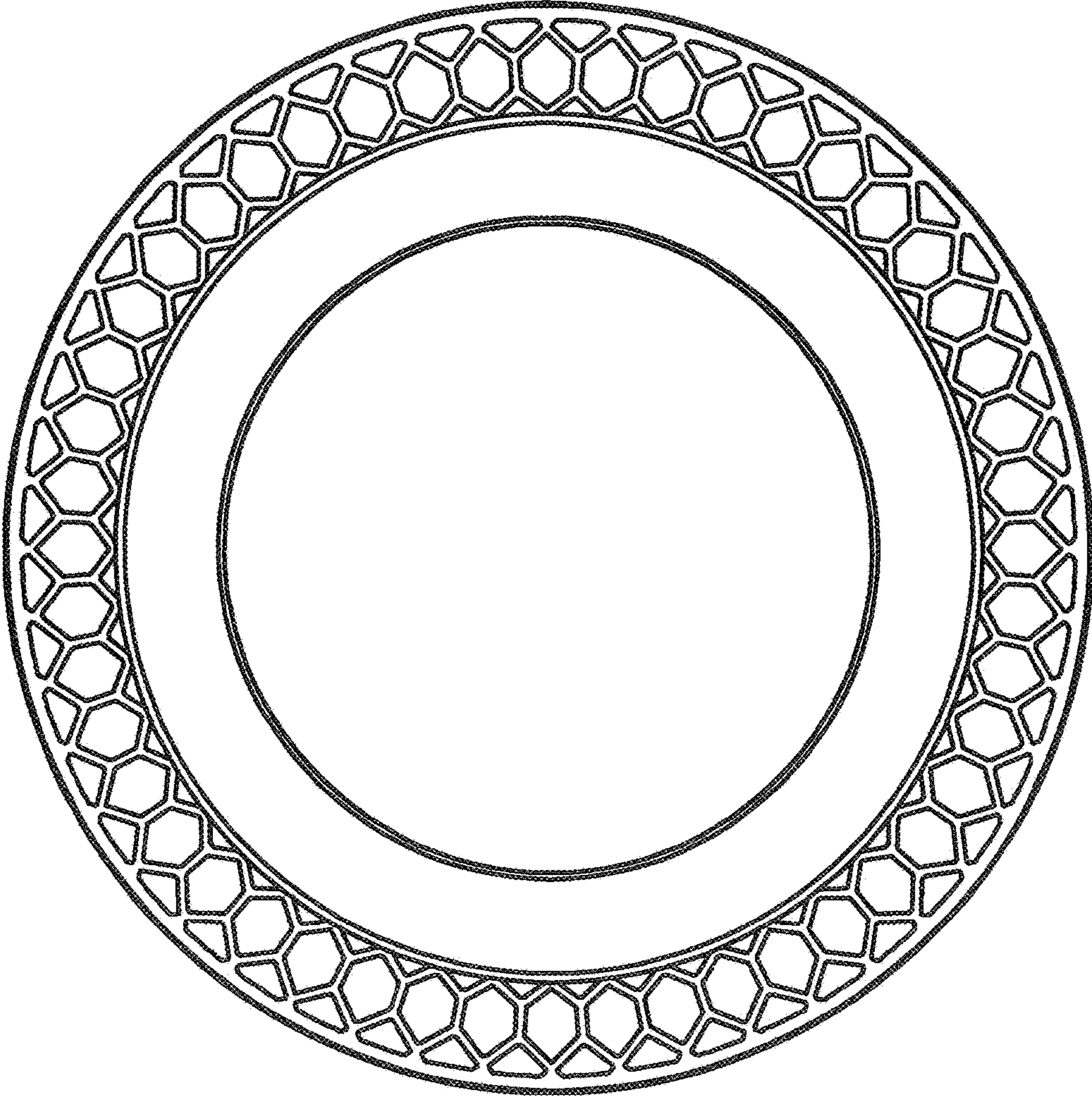


FIG. 2

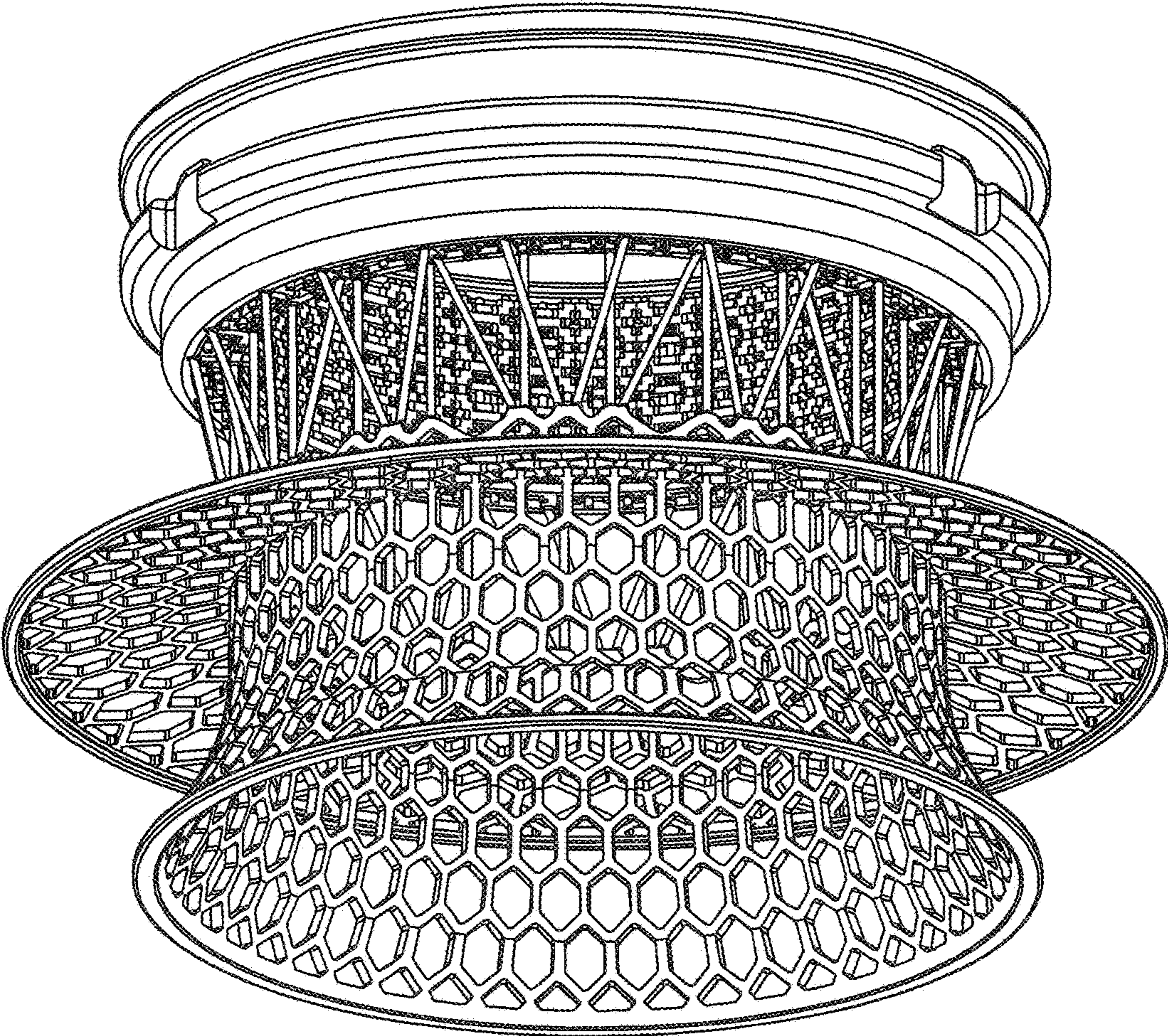


FIG. 3

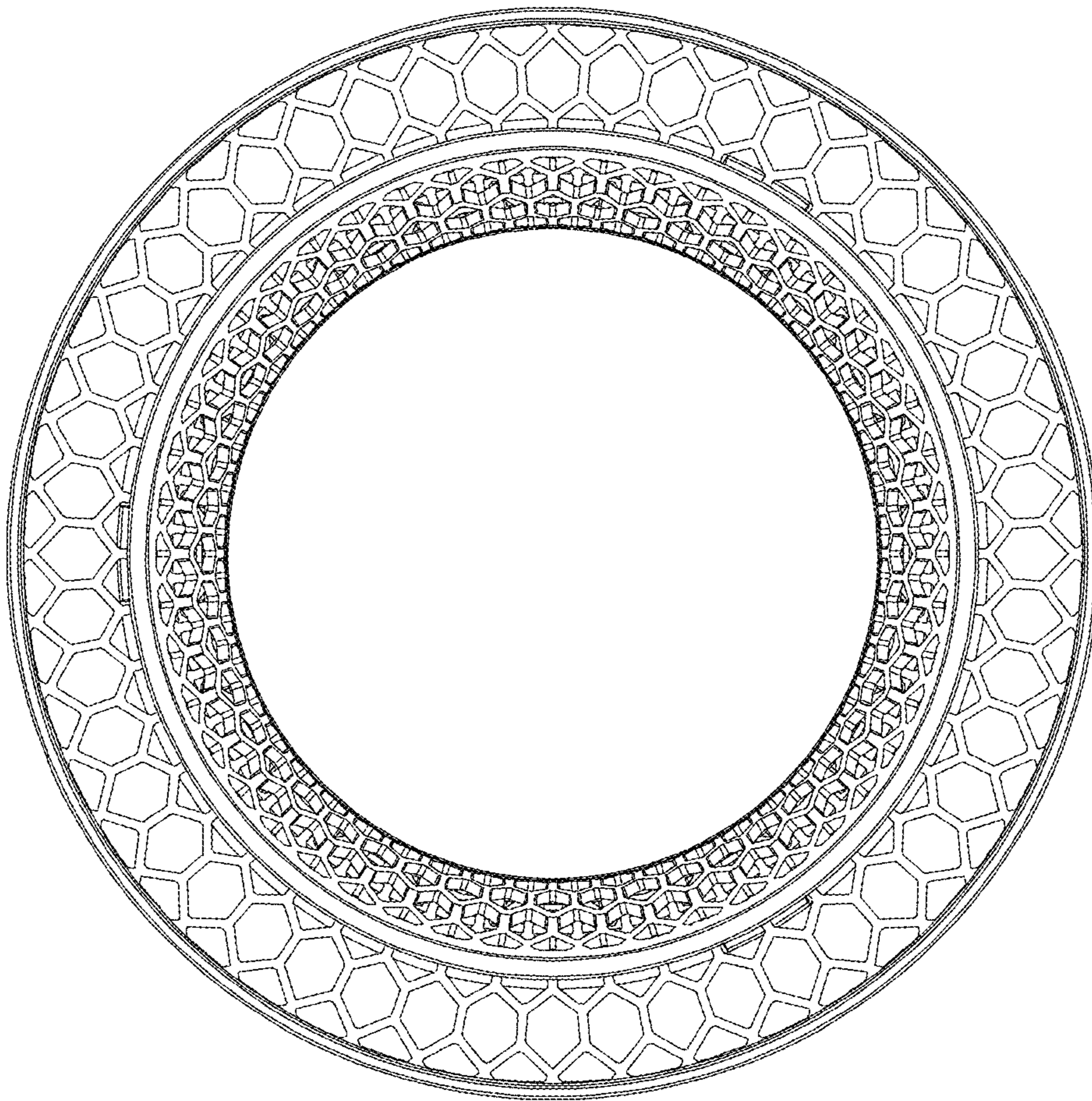


FIG. 4

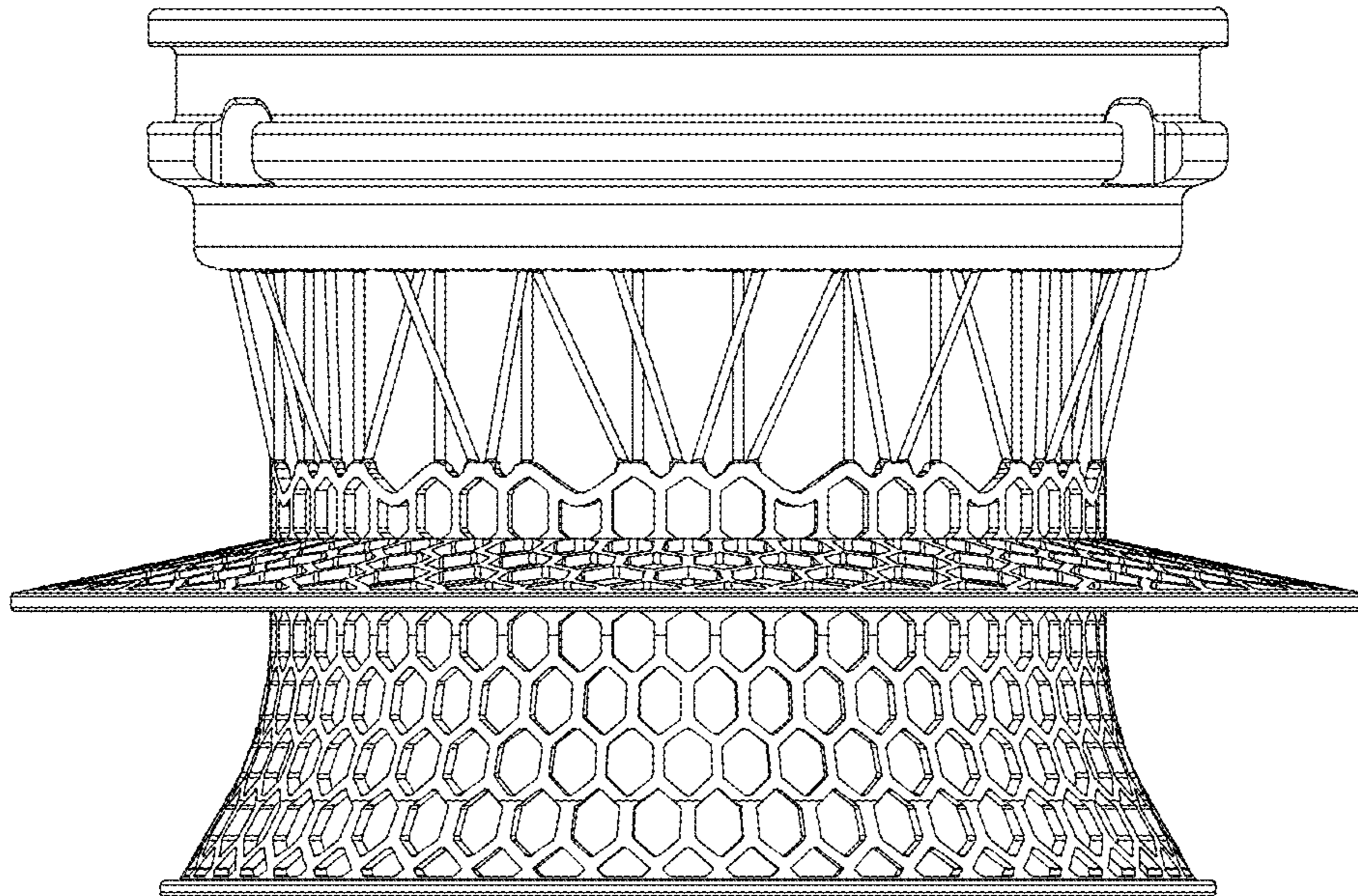


FIG. 5

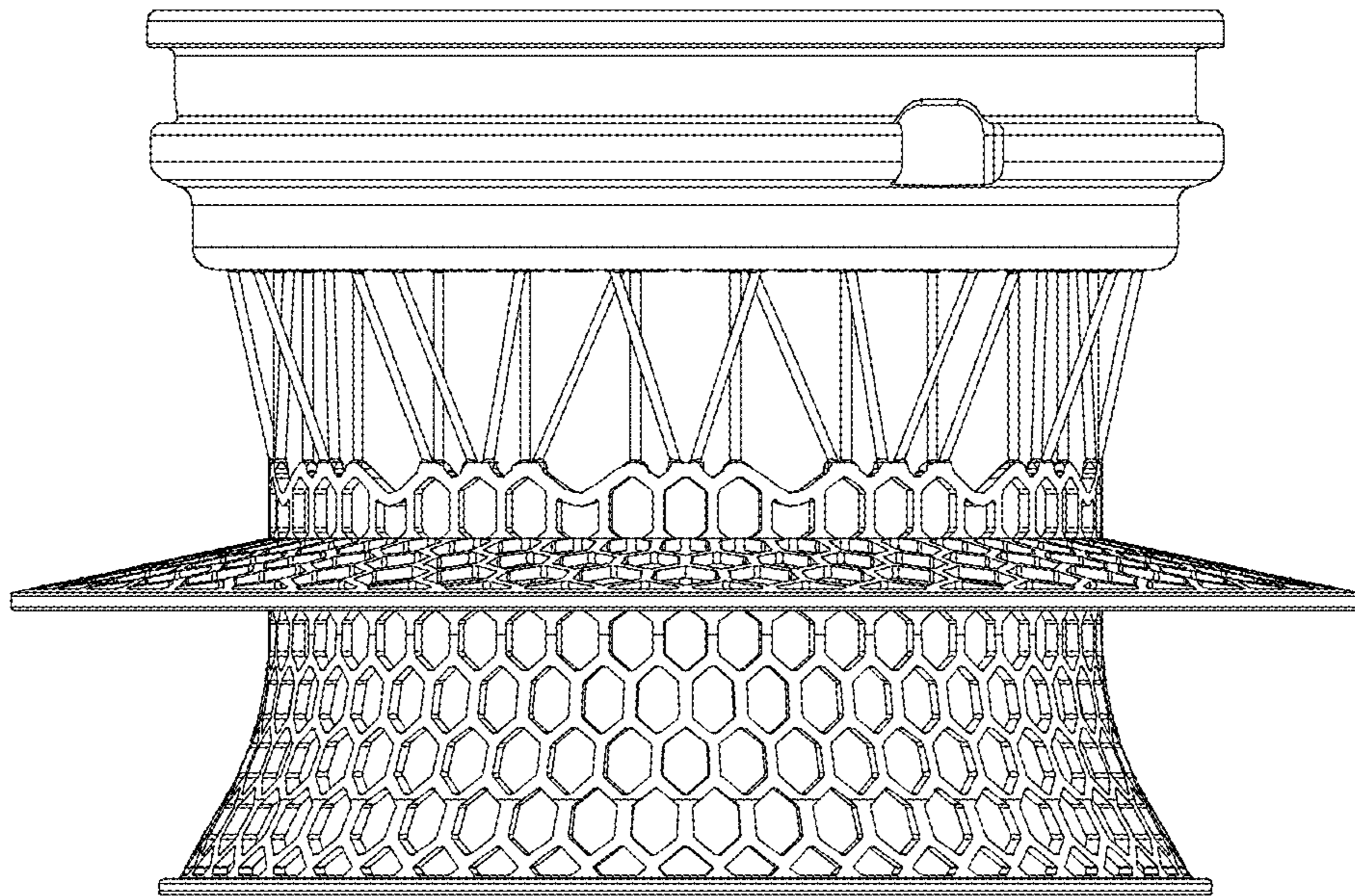


FIG. 6



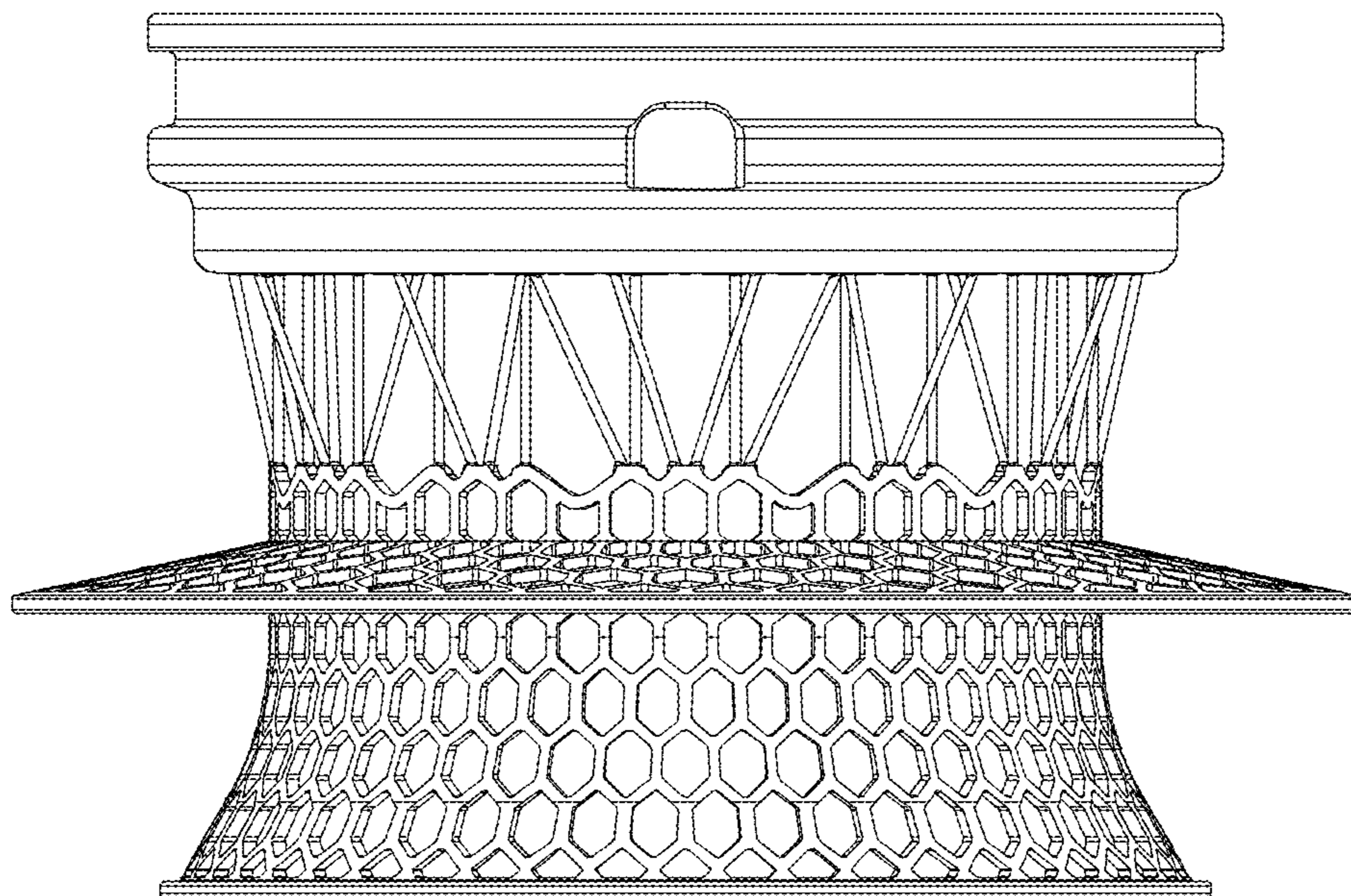


FIG. 7

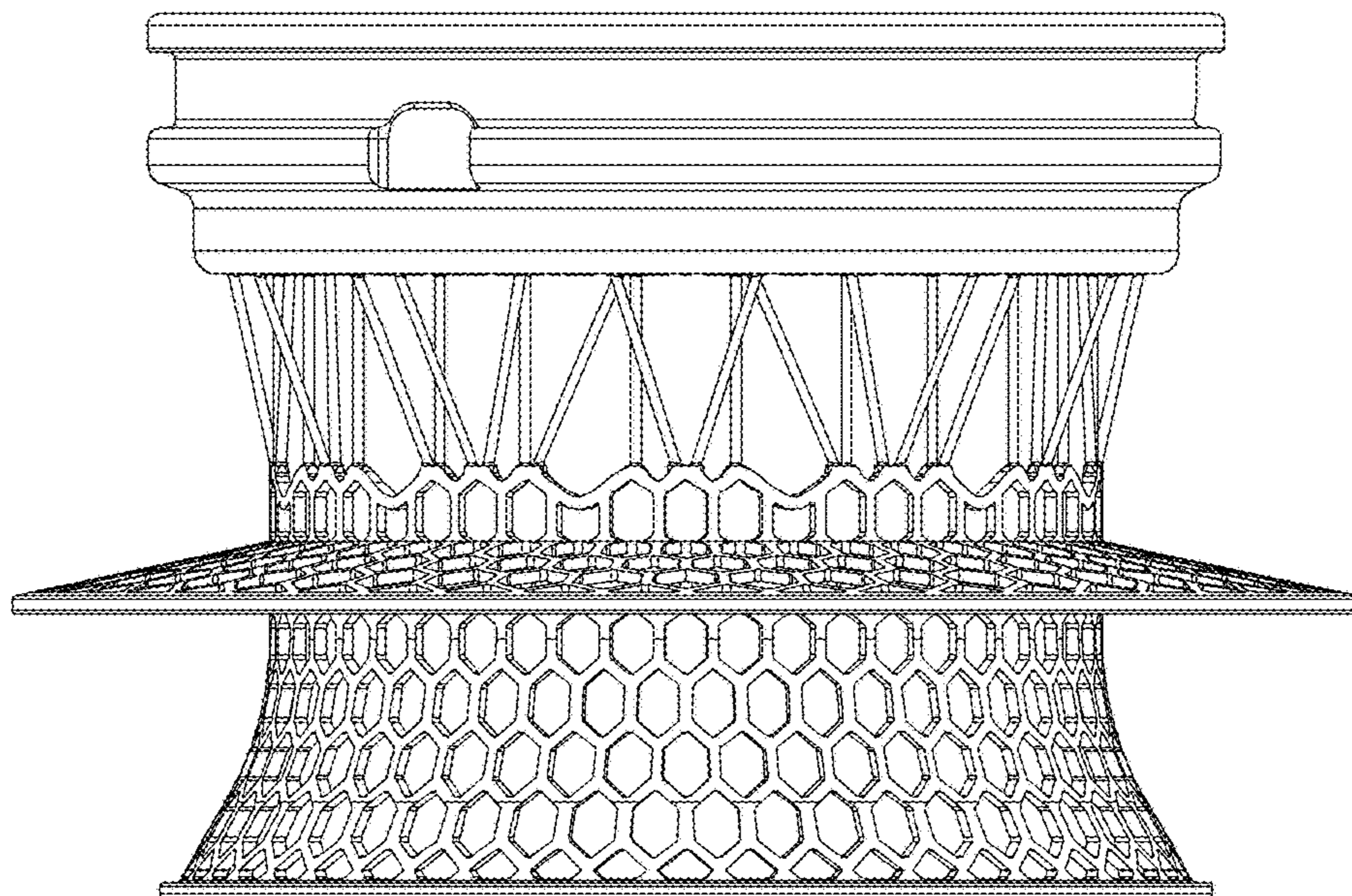


FIG. 8