



US00D788917S

(12) **United States Design Patent**
Lautemann et al.

(10) **Patent No.:** **US D788,917 S**
(45) **Date of Patent:** **** Jun. 6, 2017**

- (54) **FORCEPS**
- (71) Applicant: **KARL STORZ GmbH & Co. KG**,
Tuttlingen (DE)
- (72) Inventors: **Kerstin Lautemann**, Braeunlingen
(DE); **Tobias Unger**, Geisingen (DE);
Michael Strobel, Straubing (DE)
- (73) Assignee: **KARL STORZ GmbH & Co. KG**,
Tuttlingen (DE)
- (**) Term: **15 Years**
- (21) Appl. No.: **29/553,636**
- (22) Filed: **Feb. 3, 2016**
- (30) **Foreign Application Priority Data**
Aug. 4, 2015 (EM) 002748970-0012
- (51) **LOC (10) Cl.** **24-02**
- (52) **U.S. Cl.**
USPC **D24/143**
- (58) **Field of Classification Search**
USPC D24/133, 143-148
CPC ... A61B 17/28; A61B 17/29; A61B 17/00234;
A61B 17/2808; A61B 17/282; A61B
17/122; A61B 17/1285; A61B 18/1445;
A61B 18/1442; A61B 2018/146
See application file for complete search history.

- 7,628,791 B2 * 12/2009 Garrison A61B 18/1445
606/171
- 7,686,804 B2 * 3/2010 Johnson A61B 18/1445
606/51
- 7,846,161 B2 * 12/2010 Dumbauld A61B 18/1445
606/45
- 7,927,327 B2 * 4/2011 Lu A61B 17/29
606/1
- D657,871 S * 4/2012 Hesselting D24/143
(Continued)

OTHER PUBLICATIONS

U.S. Appl. No. 29/535,680, filed Aug. 10, 2015, Lautemann et al.
(Continued)

Primary Examiner — Wan Laymon
(74) *Attorney, Agent, or Firm* — Muncy, Geissler, Olds &
Lowe, P.C.

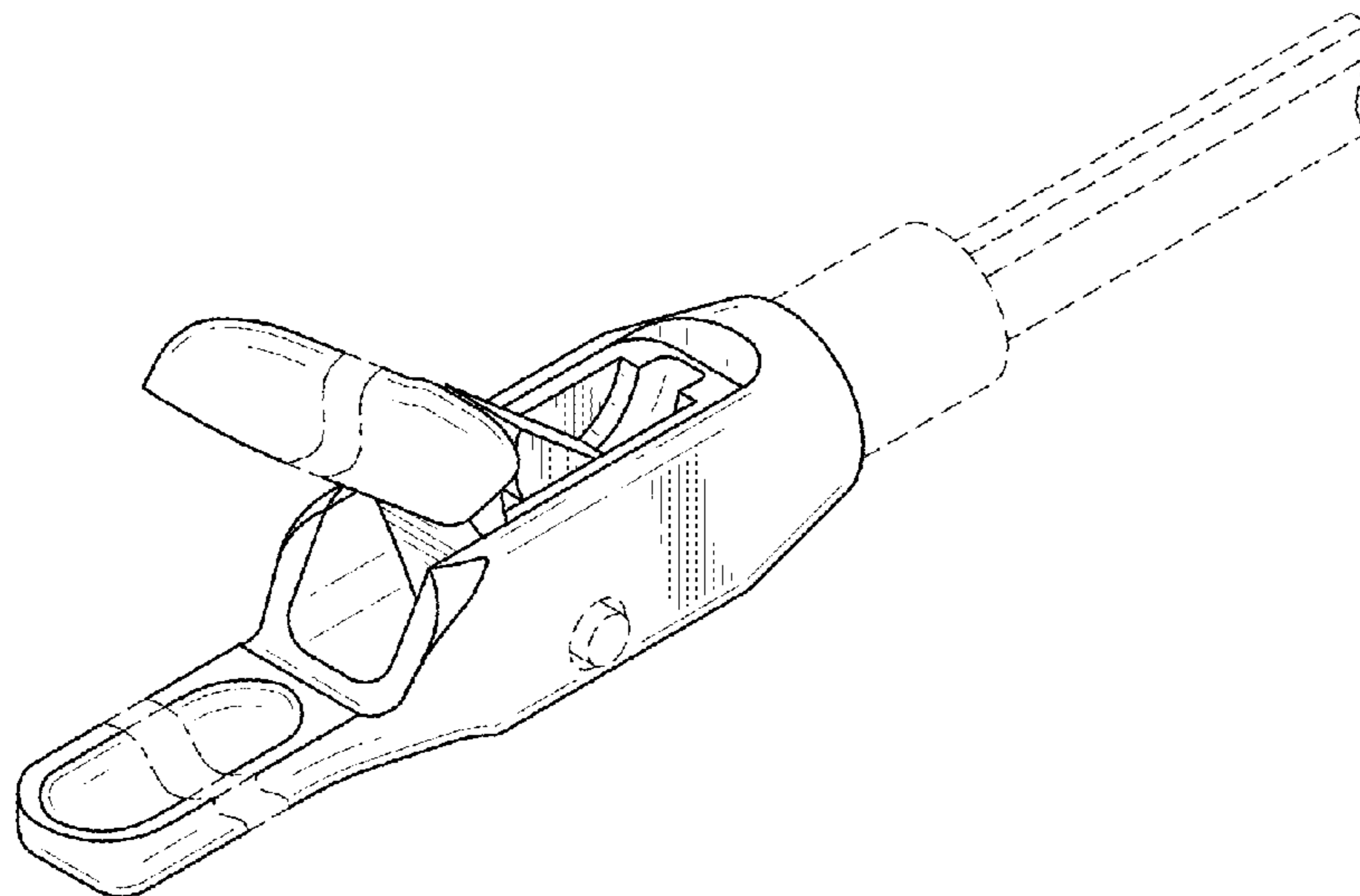
(57) **CLAIM**

The ornamental design for a forceps, as shown and
described.

DESCRIPTION

FIG. 1 is a front perspective view of a forceps according to
the present invention.
FIG. 2 is a front view of the forceps of FIG. 1.
FIG. 3 is a rear view of the forceps of FIG. 1.
FIG. 4 is a left side view of the forceps of FIG. 1.
FIG. 5 is a right side view of the forceps of FIG. 1.
FIG. 6 is a top view of the forceps of FIG. 1; and,
FIG. 7 is a bottom view of the forceps of FIG. 1.
The evenly-dashed broken lines in the drawings illustrate the
portions of the design that form no part of the claimed
design. The dash-dot-dash broken lines in the drawings
define the bounds of the claim and form no part thereof.
The broken away symbols in the drawing indicate that any
portion of the article beyond what is shown forms no part of
the claimed design.

1 Claim, 7 Drawing Sheets



(56)

References Cited

U.S. PATENT DOCUMENTS

RE44,834 E * 4/2014 Dumbauld A61B 17/29
606/45
9,186,204 B2 * 11/2015 Nishimura A61B 18/1445
D753,299 S * 4/2016 Di Spiezio Sardo D24/143
2011/0029010 A1 * 2/2011 Castro A61B 17/29
606/206

OTHER PUBLICATIONS

U.S. Appl. No. 29/535,682, filed Aug. 10, 2015, Lautemann et al.
U.S. Appl. No. 29/535,686, filed Aug. 10, 2015, Lautemann et al.
U.S. Appl. No. 29/535,768, filed Aug. 10, 2015, Lautemann et al.
U.S. Appl. No. 29/535,772, filed Aug. 10, 2015, Lautemann et al.
U.S. Appl. No. 29/535,775, filed Aug. 10, 2015, Lautemann et al.

* cited by examiner

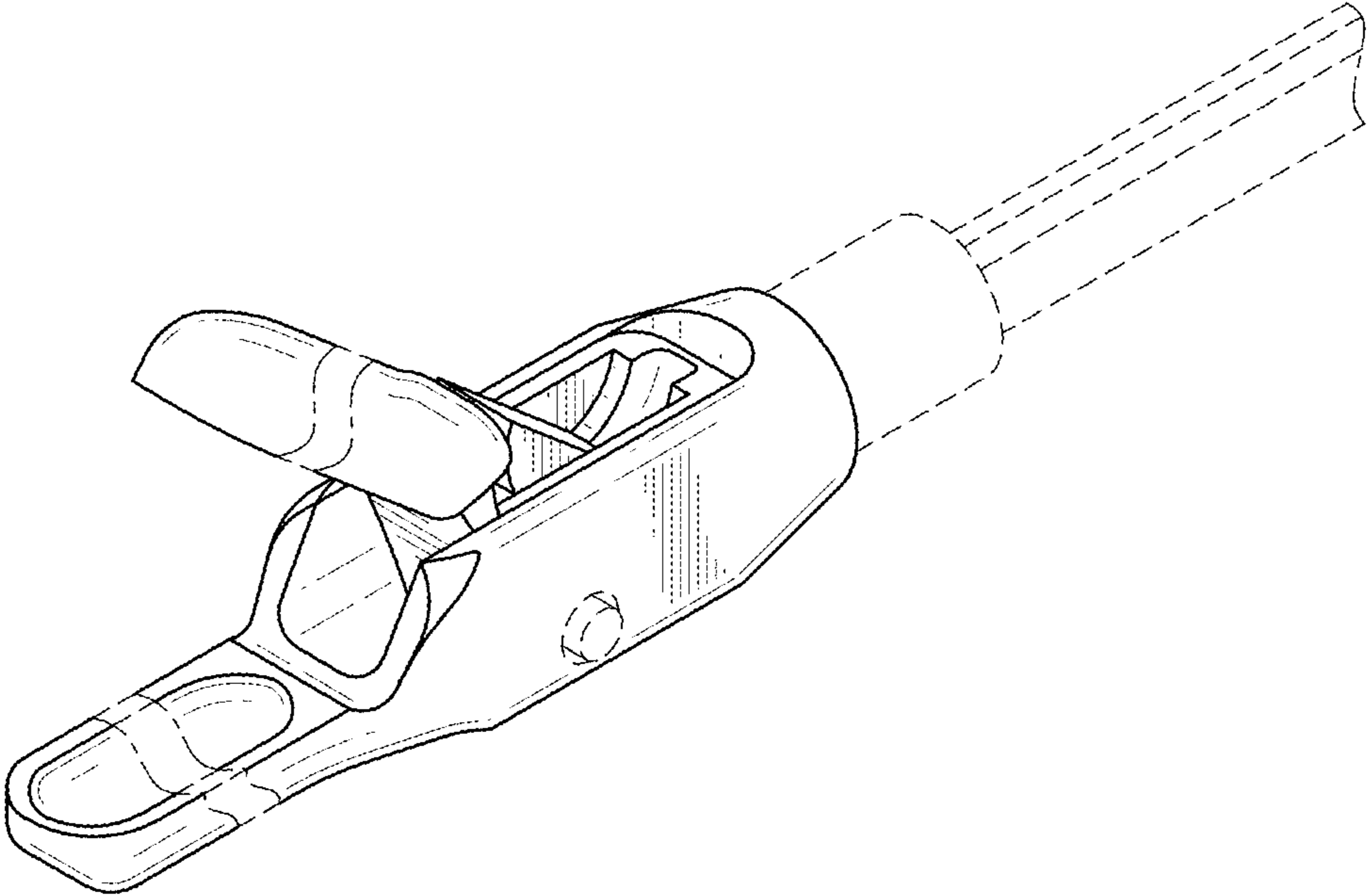


FIG.1

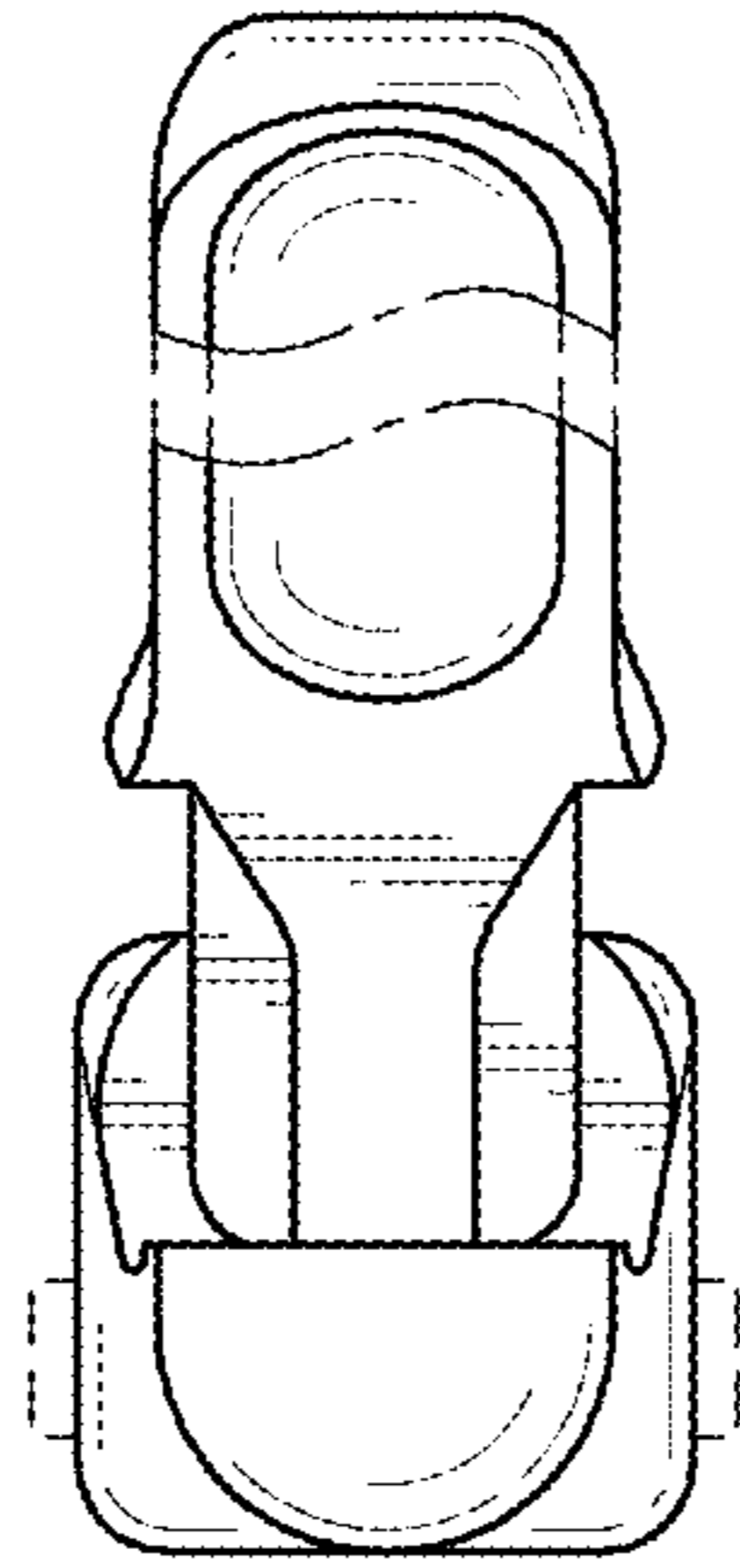


FIG.2

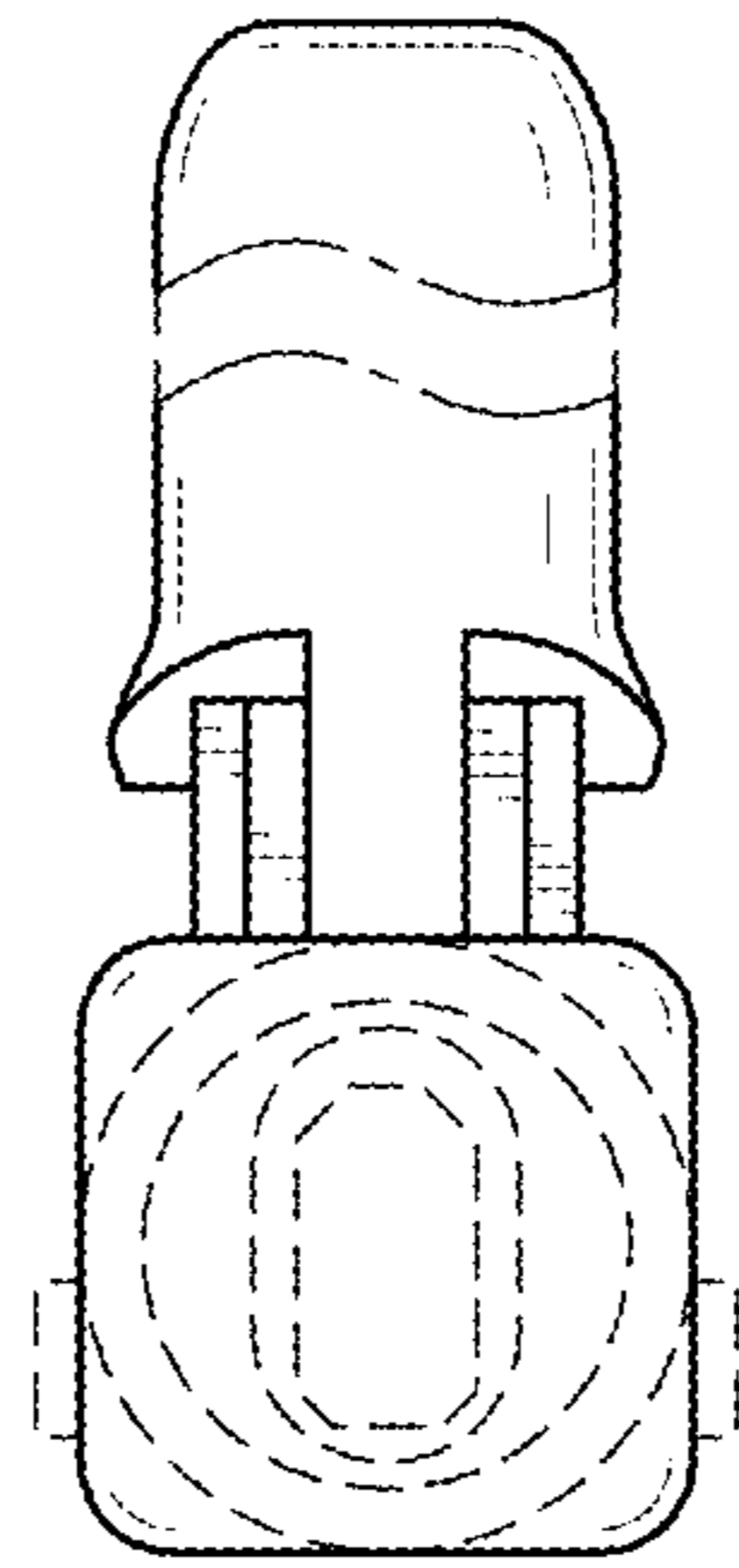


FIG.3

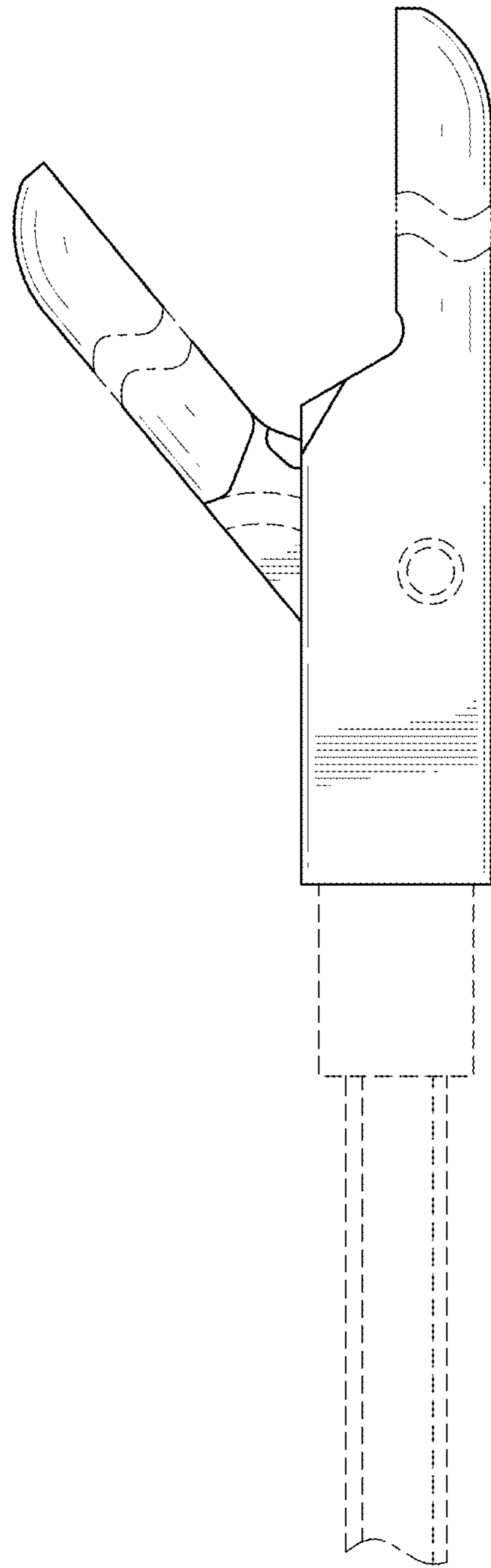


FIG.4

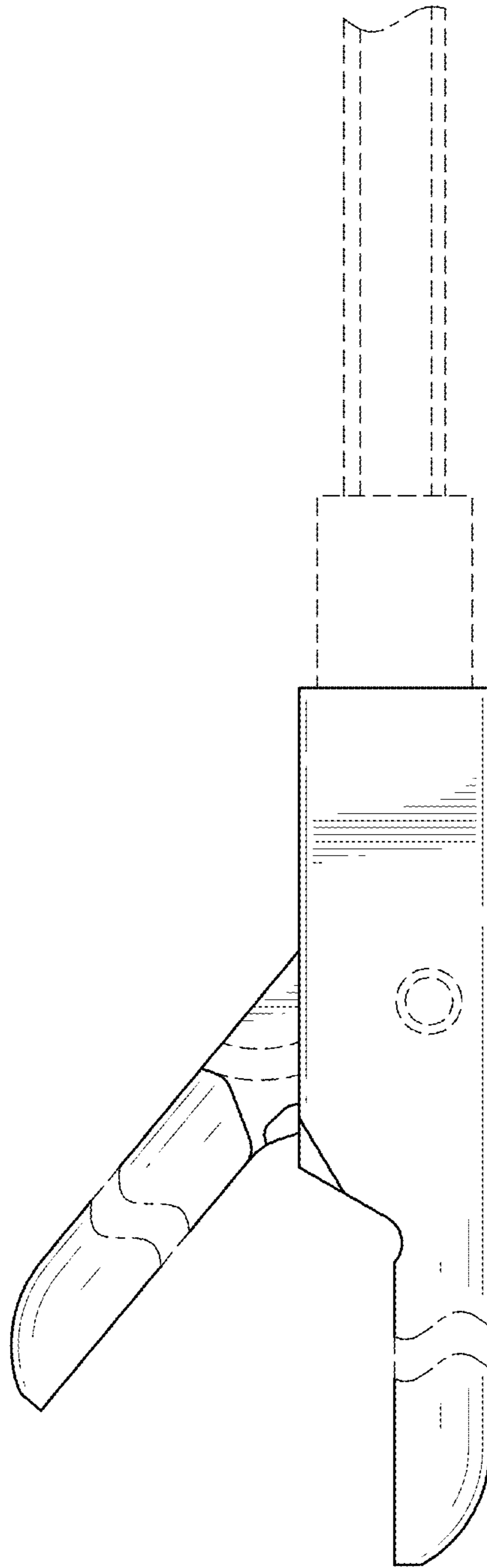


FIG.5

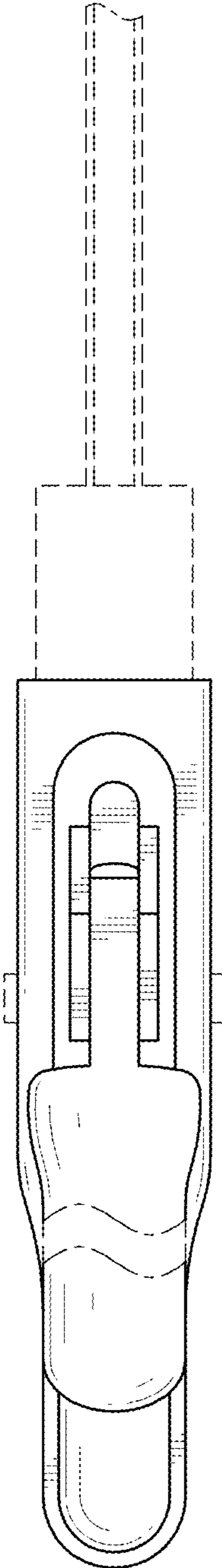


FIG.6

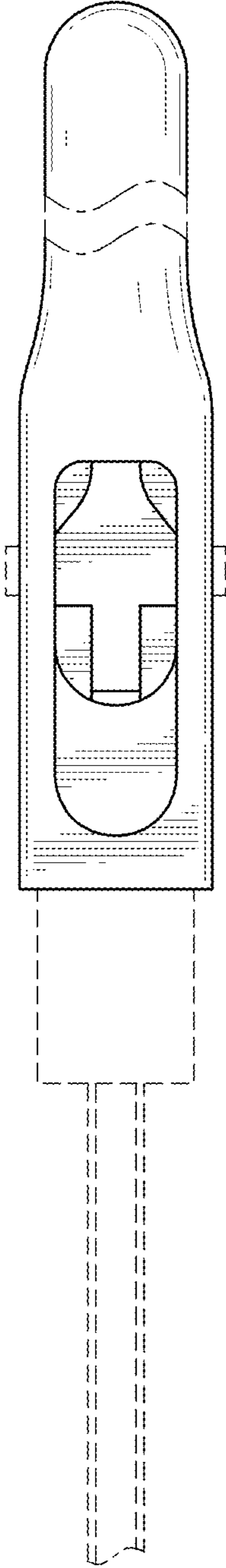


FIG.7