

US00D788912S

(12) **United States Design Patent** (10) **Patent No.:** **US D788,912 S**
Ishida et al. (45) **Date of Patent:** **** Jun. 6, 2017**

(54) **GASKET FOR SYRINGE**
(71) Applicant: **Sumitomo Rubber Industries, Ltd.**,
Kobe-shi, Hyogo (JP)
(72) Inventors: **Naoyuki Ishida**, Kobe (JP); **Eiji Yao**,
Kobe (JP); **Shinya Iwano**, Kobe (JP)
(73) Assignee: **SUMITOMO RUBBER**
INDUSTRIES, LTD., Kobe-Shi (JP)
(**) Term: **15 Years**

2014/0288508 A1* 9/2014 Iwano A61L 31/084
604/222
2014/0339776 A1* 11/2014 Nakano A61M 5/31515
277/358
2014/0339777 A1* 11/2014 Nakano A61M 5/31513
277/434
2015/0231337 A1* 8/2015 Hara A61M 5/31513
604/222
2015/0367076 A1* 12/2015 Matsutani A61M 5/31513
604/222
2016/0033042 A1* 2/2016 Minagawa C10M 107/42
277/654
2016/0082193 A1* 3/2016 Laubach A61M 5/31513
604/222

(Continued)

(21) Appl. No.: **29/542,472**
(22) Filed: **Oct. 14, 2015**
(51) **LOC (10) Cl.** **24-02**
(52) **U.S. Cl.**
USPC **D24/130**
(58) **Field of Classification Search**
USPC D24/112–114, 127–131, 133
CPC A61M 5/315; A61M 5/31511; A61M
5/31513; A61M 5/31515
See application file for complete search history.

FOREIGN PATENT DOCUMENTS

JP 1333634 S 6/2008
JP 1422296 S 9/2011
JP 1429220 S 12/2014

Primary Examiner — Richelle G Shelton

(74) *Attorney, Agent, or Firm* — Birch, Stewart, Kolasch
& Birch, LLP

(57) **CLAIM**

The ornamental design for a gasket for syringe, as shown
and described.

(56) **References Cited**

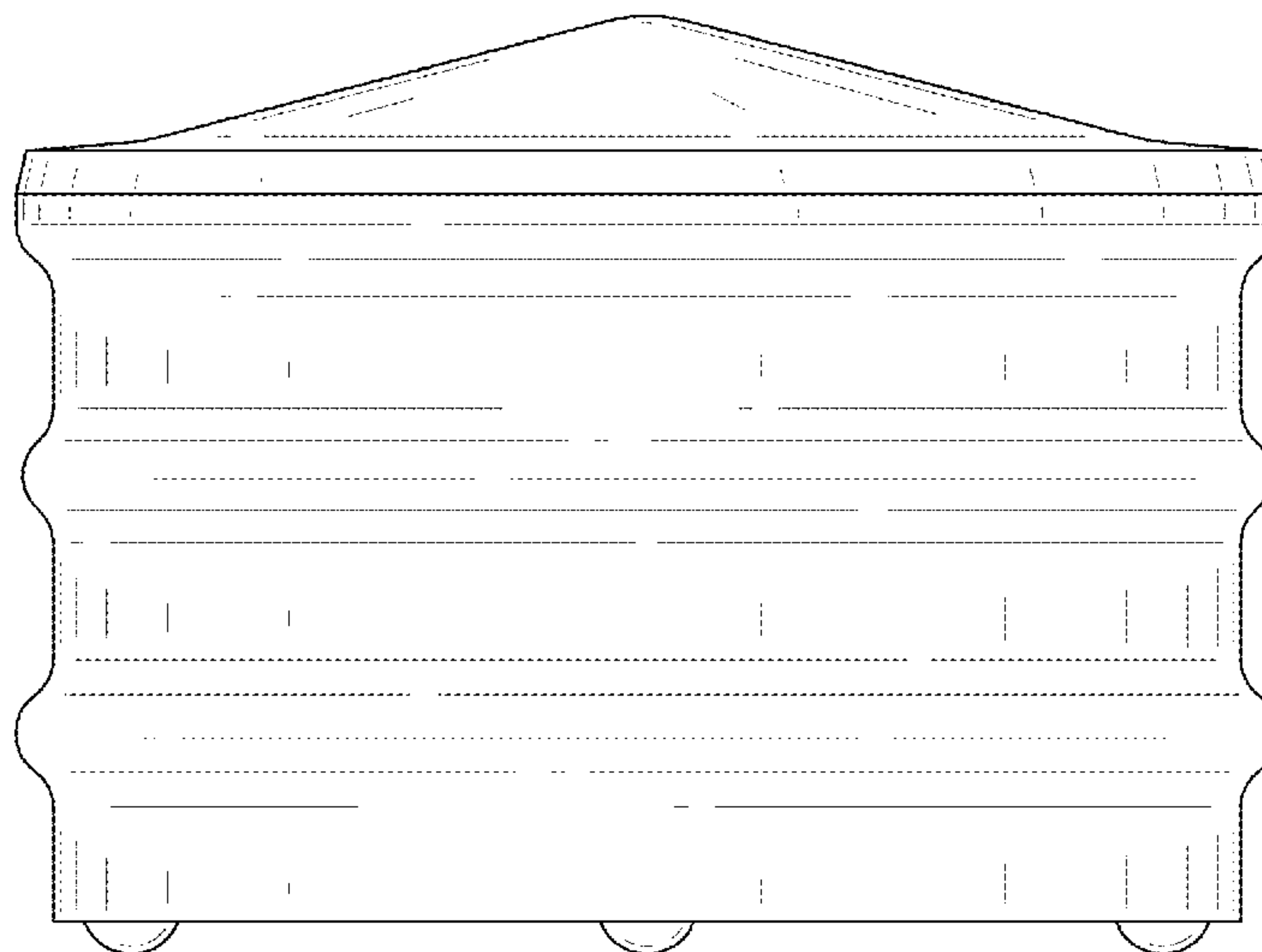
U.S. PATENT DOCUMENTS

D205,269 S * 7/1966 Gray 604/218
D403,762 S * 1/1999 Gabbard D24/113
D578,210 S * 10/2008 Muta D24/114
D632,389 S * 2/2011 Maeda D24/130
D633,202 S * 2/2011 Maeda D24/130
D665,498 S * 8/2012 Tamura D24/130
D686,322 S * 7/2013 Maeda D24/130
9,452,264 B2 * 9/2016 Maeda A61M 5/31513
2005/0137533 A1* 6/2005 Sudo A61M 5/31511
604/218
2011/0192756 A1* 8/2011 Hill A61M 5/008
206/515
2013/0053786 A1* 2/2013 Maeda B29C 33/42
604/187

DESCRIPTION

FIG. 1 is a front, top perspective view of a gasket for syringe
showing our new design;
FIG. 2 is a front view thereof, the rear view being the same;
FIG. 3 is a left side view thereof, the right side view being
the same;
FIG. 4 is a top view thereof;
FIG. 5 is a bottom view thereof; and,
FIG. 6 is a cross-section along line 6-6 of FIG. 2.
The broken lines shown in the drawings represent portions
of the article excluded from the design.

1 Claim, 6 Drawing Sheets



(56)

References Cited

U.S. PATENT DOCUMENTS

2016/0082194 A1* 3/2016 Furukawa A61M 5/3129
604/222
2016/0101239 A1* 4/2016 Ishida A61M 5/31513
604/222
2016/0220758 A1* 8/2016 Ishida A61M 5/3129

* cited by examiner

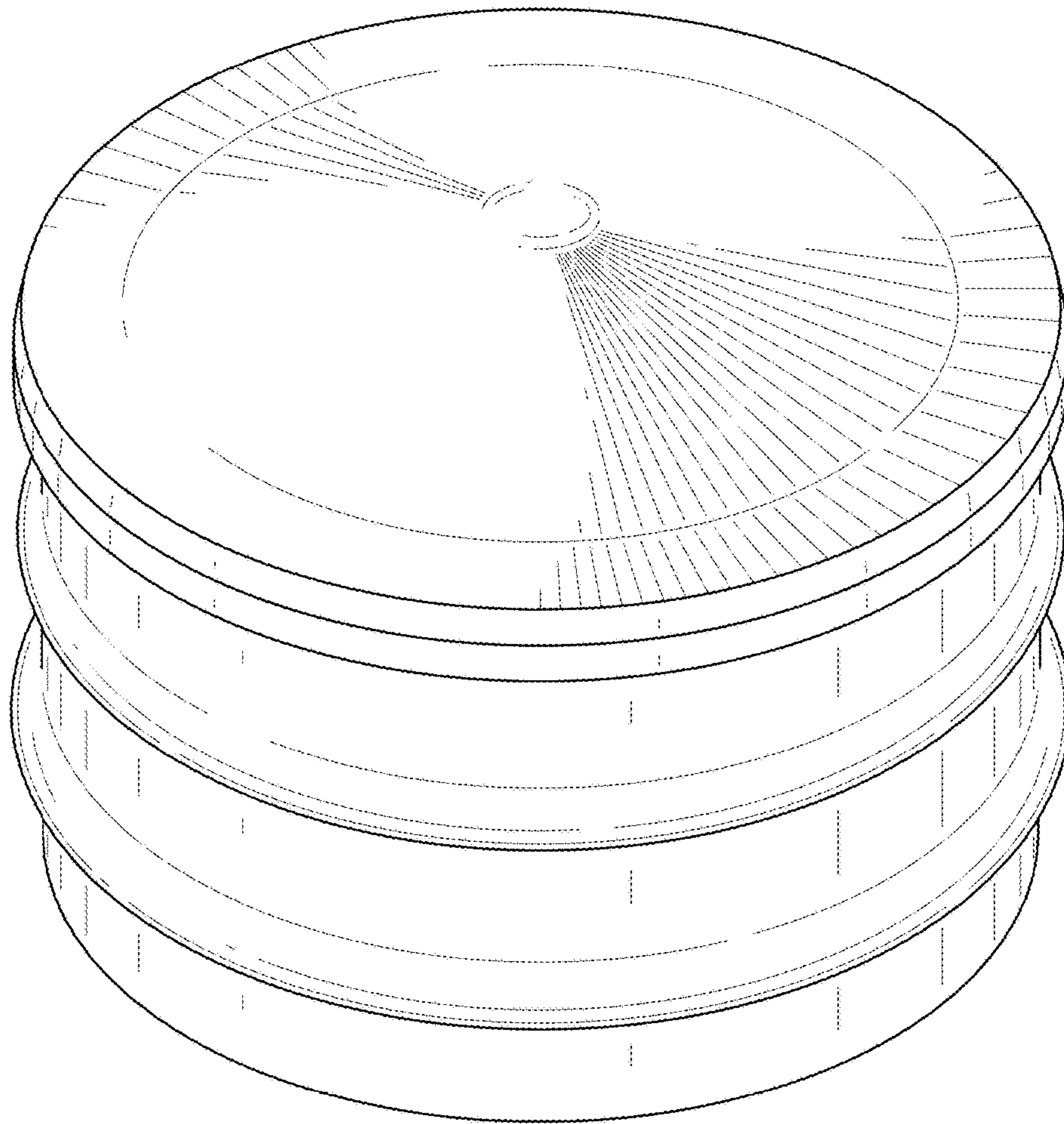


FIG.1

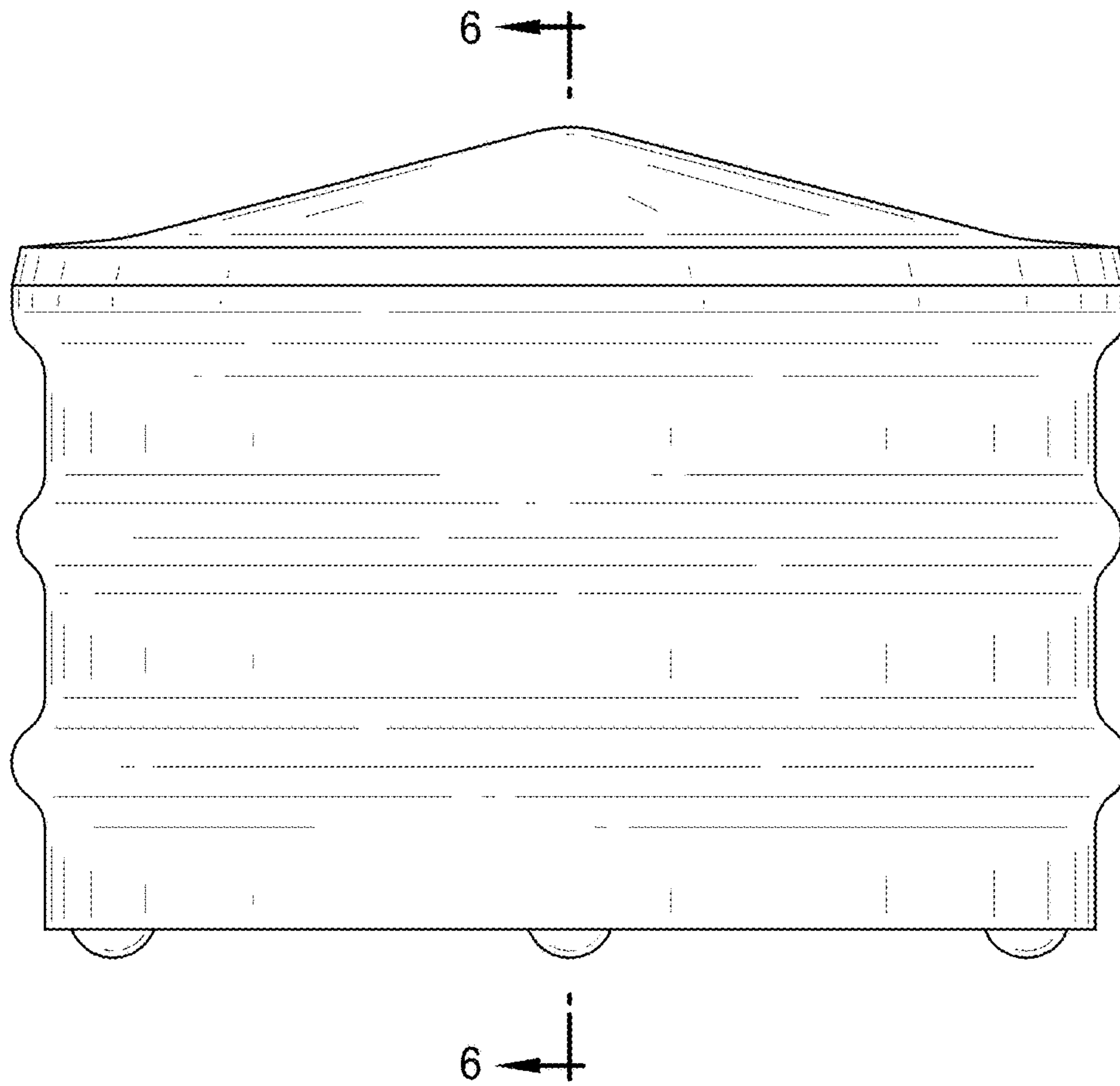


FIG.2

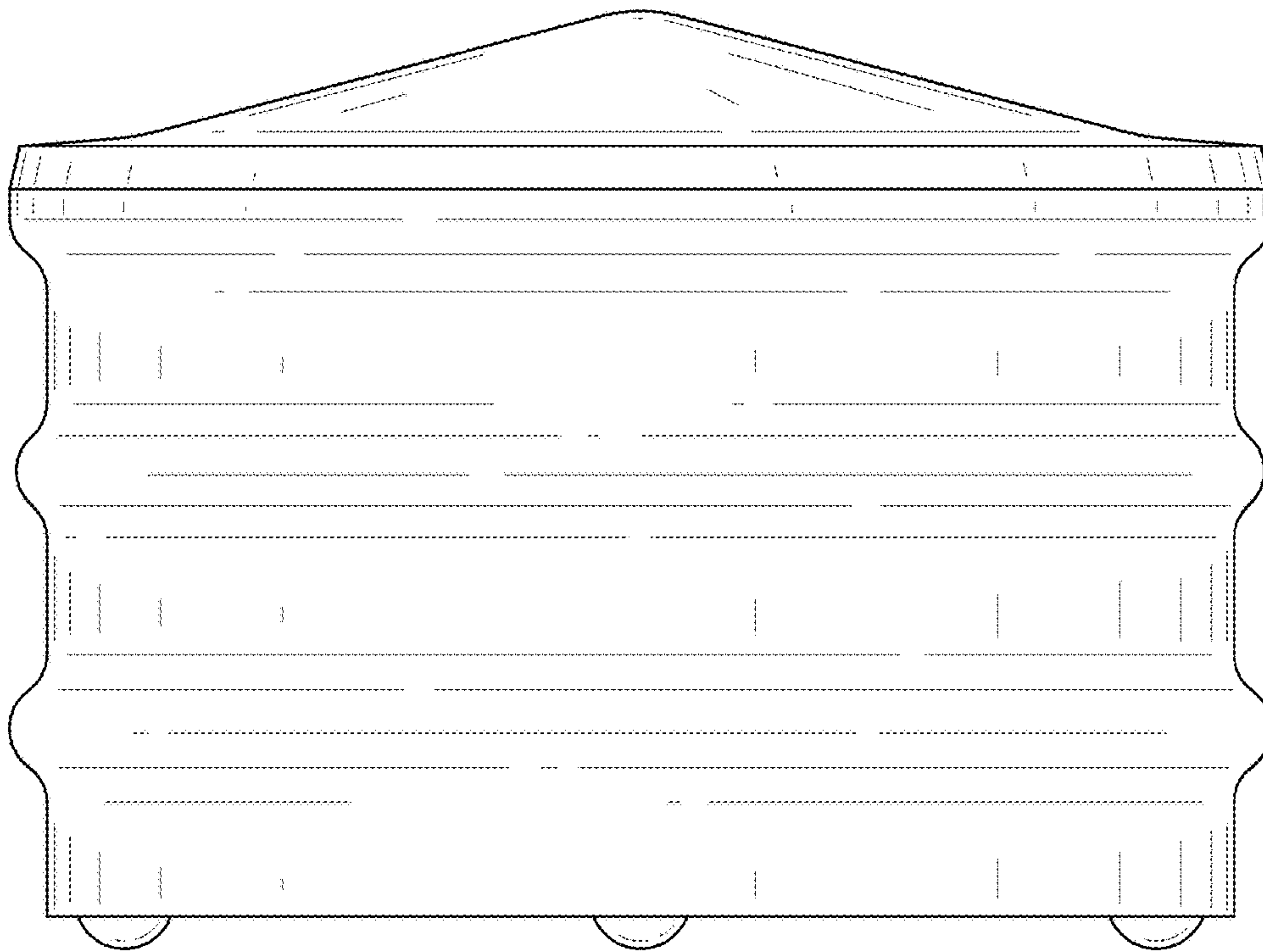


FIG.3

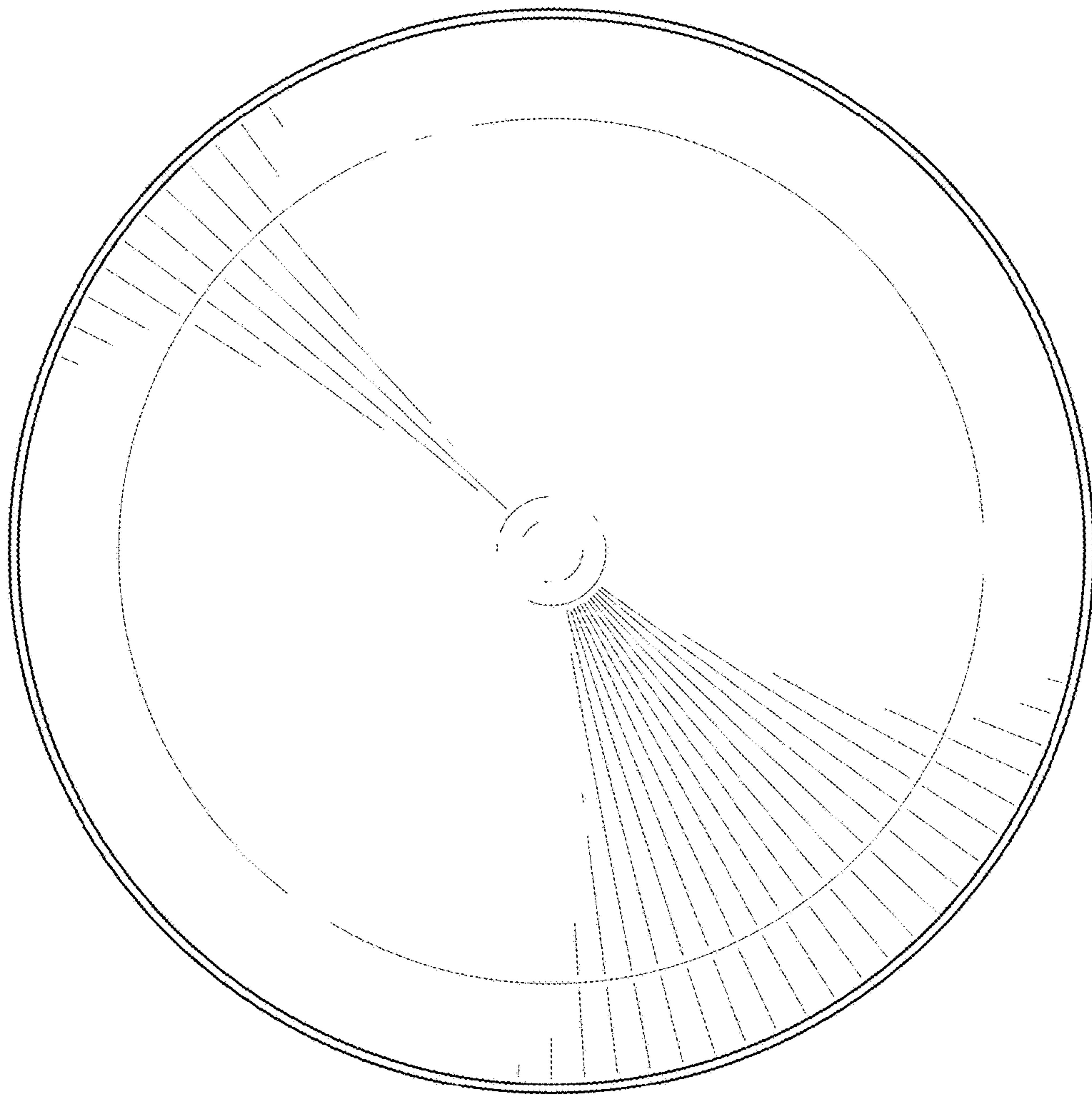


FIG.4

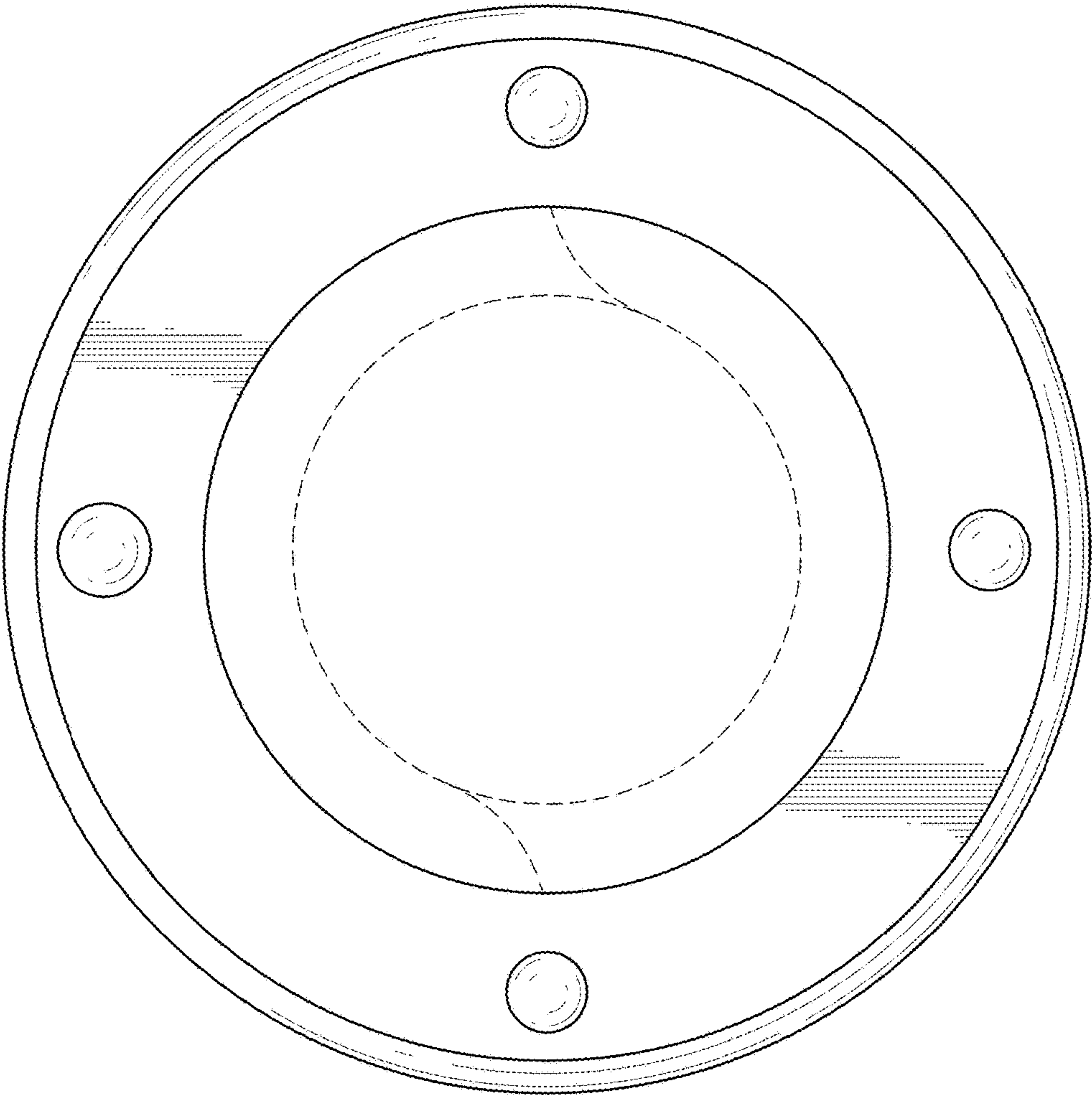


FIG.5

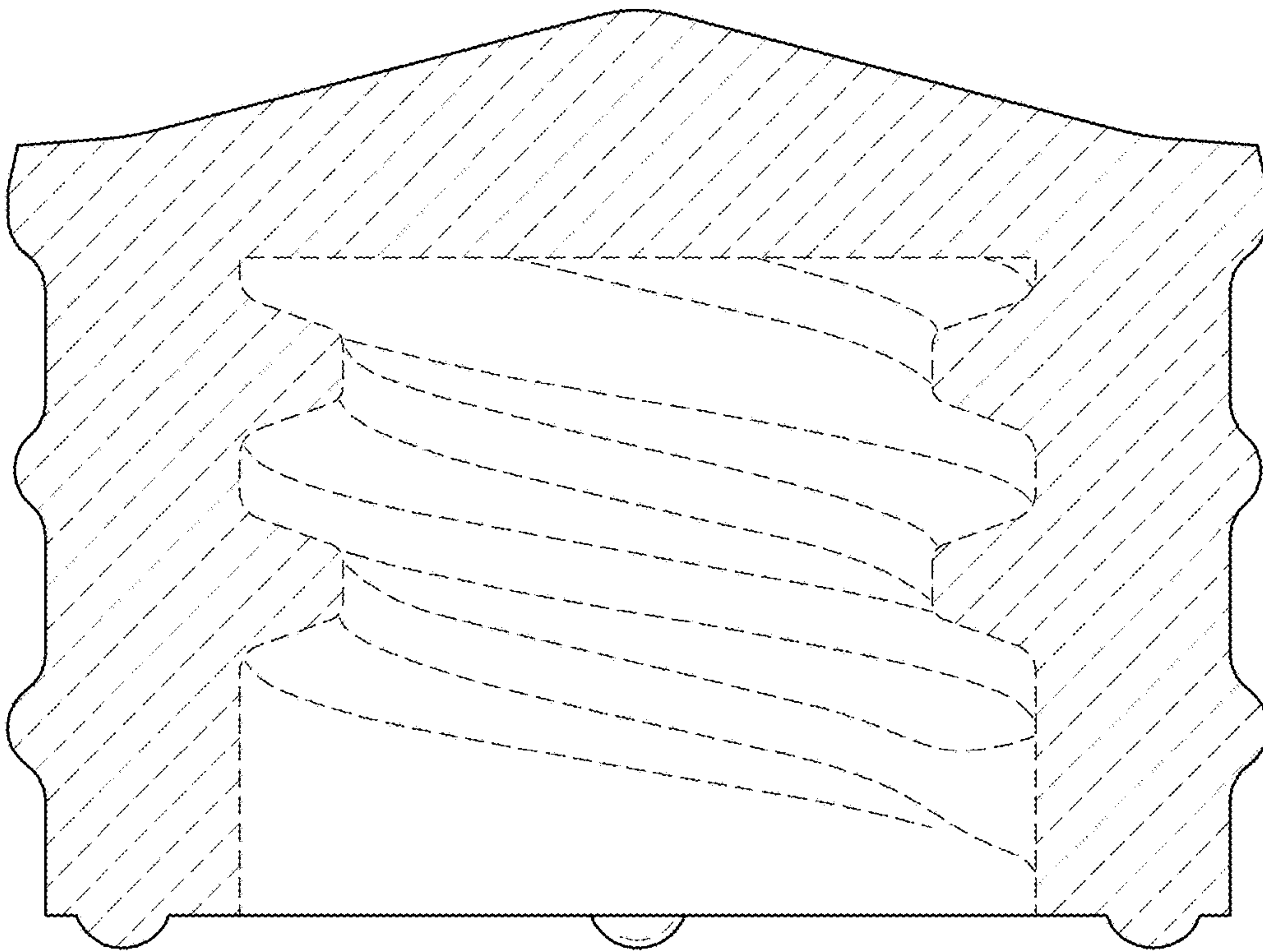


FIG.6