



US00D788911S

(12) **United States Design Patent** (10) **Patent No.:** **US D788,911 S**  
**Deutsch et al.** (45) **Date of Patent:** **\*\* Jun. 6, 2017**

(54) **ATTACHMENT FOR SECURING A THERAPY DEVICE**

FOREIGN PATENT DOCUMENTS

(71) Applicant: **Smith & Nephew, Inc.**, Memphis, TN (US)

CA 2819475 6/2012  
DE 102010036405 1/2012

(Continued)

(72) Inventors: **Kealoha Young Deutsch**, Odessa, FL (US); **William W. Gregory**, Gainesville, FL (US); **Kory A. Gunnerson**, Cincinnati, OH (US); **Kathryn Ann Leigh**, Saint Petersburg, FL (US); **Andrew P. Muser**, Saint Pete Beach, FL (US); **Karl W. Vanderbeek**, Cincinnati, OH (US)

OTHER PUBLICATIONS

International Search Report and Written Opinion for International Application No. PCT/US2014/026692, Notification mailed Mar. 2, 2015.

*Primary Examiner* — David Muller

(74) *Attorney, Agent, or Firm* — Knobbe, Martens, Olson & Bear, LLP

(73) Assignee: **Smith & Nephew, Inc.**, Memphis, TN (US)

(57) **CLAIM**

(\*\*) Term: **14 Years**

The ornamental design for an attachment for securing a therapy device, as shown and described.

(21) Appl. No.: **29/492,115**

**DESCRIPTION**

(22) Filed: **May 28, 2014**

**Related U.S. Application Data**

(63) Continuation of application No. PCT/US2014/026692, filed on Mar. 13, 2014.

(51) **LOC (10) Cl.** ..... **24-02**

(52) **U.S. Cl.**  
USPC ..... **D24/128**

(58) **Field of Classification Search**  
USPC .... D24/128, 127, 107, 108, 122; D8/72, 71; 604/319, 322

(Continued)

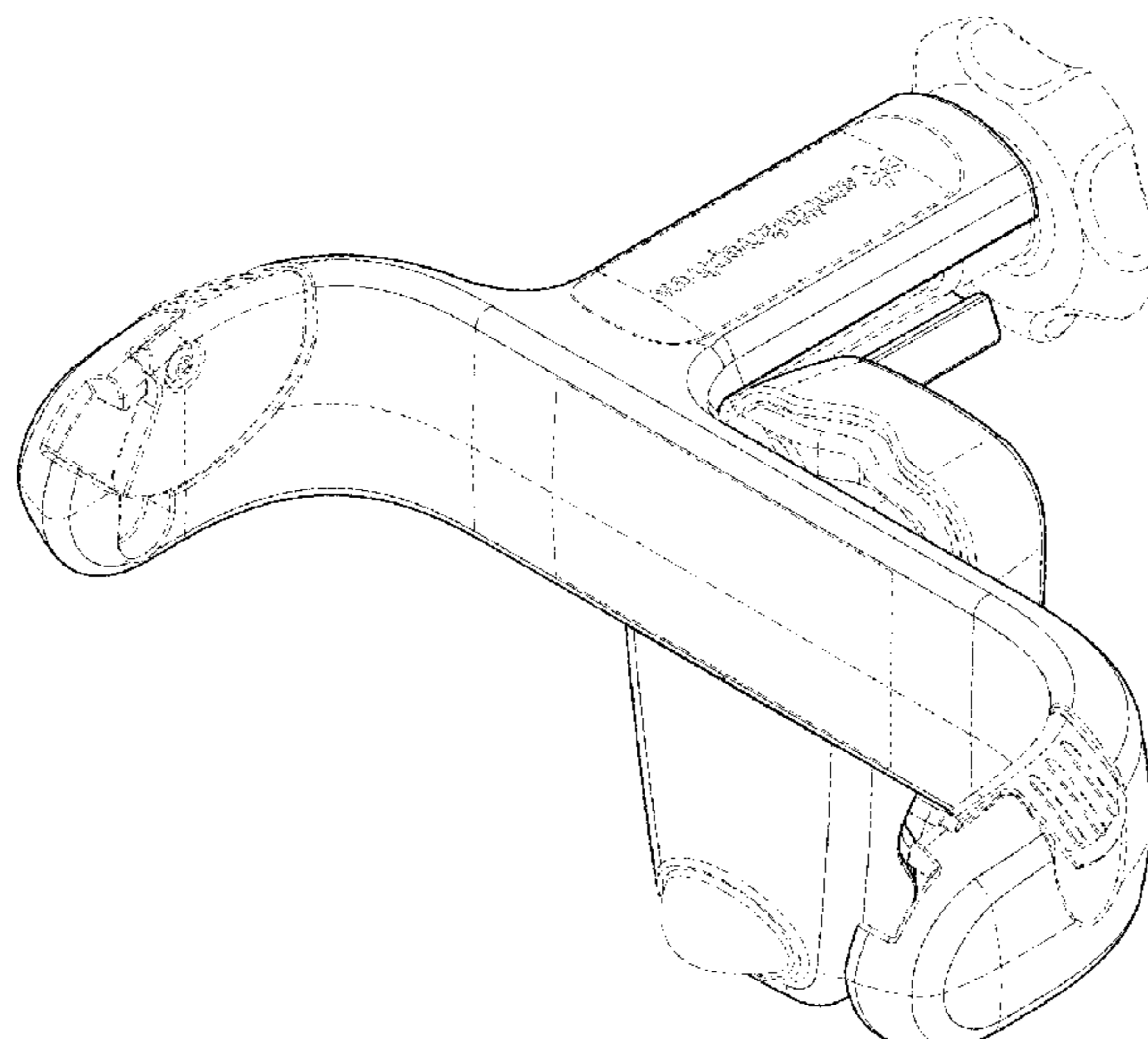
(56) **References Cited**

U.S. PATENT DOCUMENTS

D262,237 S \* 12/1981 Stauber ..... D24/128  
4,832,299 A 5/1989 Gorton et al.

(Continued)

**1 Claim, 5 Drawing Sheets**



(58) **Field of Classification Search**  
 CPC ..... A61M 1/0086; A61M 1/0023; A61M  
 2209/082  
 See application file for complete search history.

(56) **References Cited**

U.S. PATENT DOCUMENTS

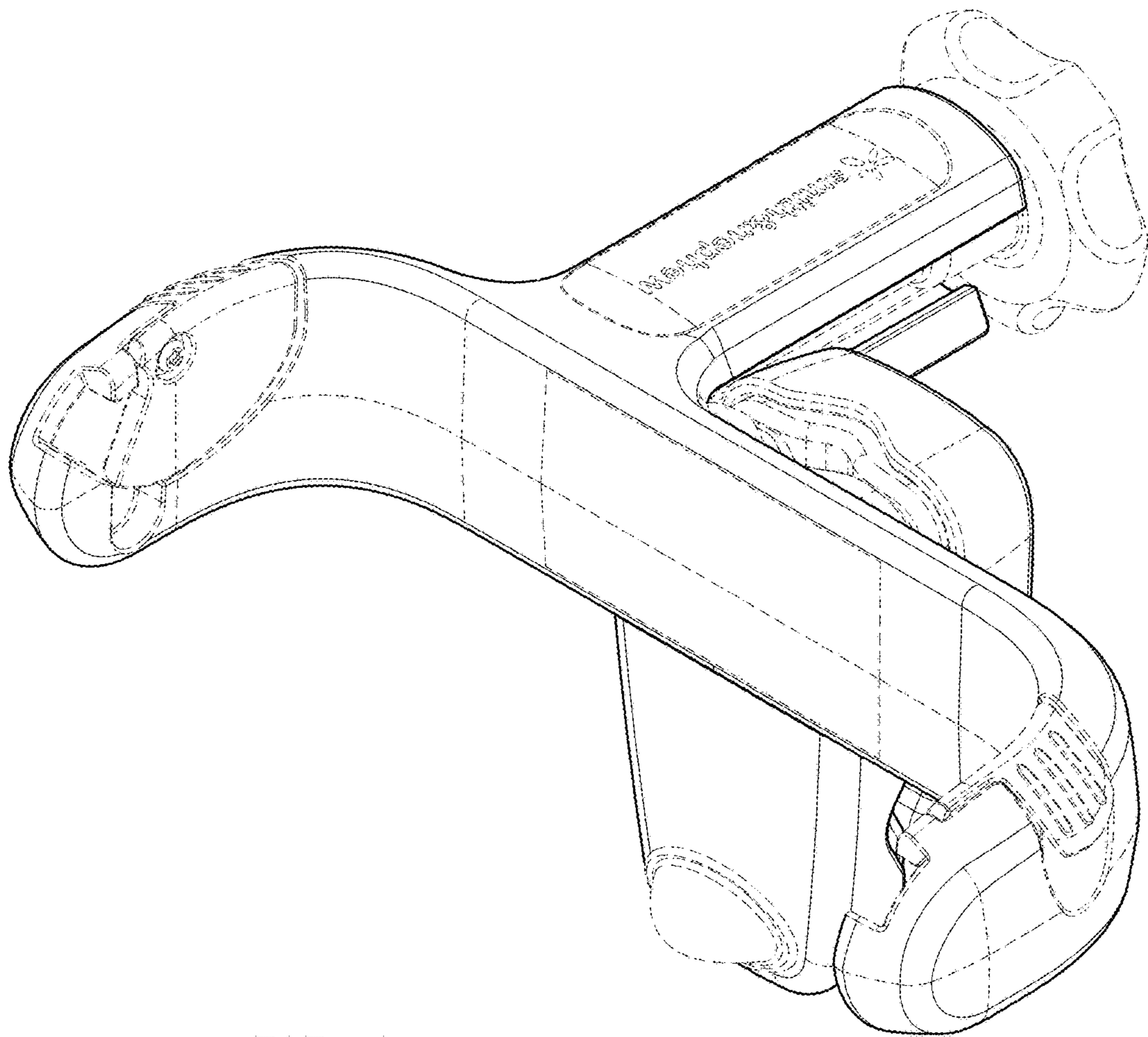
D304,496	S *	11/1989	Thomas	.....	D24/117
5,057,081	A	10/1991	Sunderland		
5,158,528	A	10/1992	Walker et al.		
5,174,533	A	12/1992	Pryor et al.		
5,219,428	A	6/1993	Stern		
5,779,207	A	7/1998	Danby		
6,250,482	B1	6/2001	Want et al.		
D498,532	S *	11/2004	Sawford	.....	D24/128
D540,466	S *	4/2007	Homra	.....	A61G 13/101 D24/128
D592,304	S *	5/2009	Kuehfuss	.....	D24/128
7,770,855	B2	8/2010	Locke et al.		
D643,923	S *	8/2011	Senda	.....	D24/128
8,066,243	B2	11/2011	Svedman et al.		
8,096,515	B2	1/2012	Locke et al.		
D657,054	S *	4/2012	Bacon	.....	D24/128
D660,416	S *	5/2012	Lechtenberg	.....	D24/128
D660,425	S *	5/2012	Bigelow	.....	D24/128
8,663,099	B2 *	3/2014	Tydlaska	.....	A61B 1/00052 600/185
D734,451	S *	7/2015	Guney	.....	D24/110.1
9,220,821	B2	12/2015	Croizat et al.		
D766,075	S *	9/2016	Milbank	.....	D8/394
9,463,951	B1 *	10/2016	Davis, Jr.	.....	B65H 75/34
2003/0040687	A1	2/2003	Boynton et al.		

2005/0116126	A1	6/2005	Ugent et al.
2005/0230575	A1	10/2005	Zelenski et al.
2007/0250009	A1	10/2007	Barak
2008/0071216	A1	3/2008	Locke et al.
2008/0071234	A1	3/2008	Kelch et al.
2008/0272254	A1	11/2008	Harr et al.
2009/0125055	A1	5/2009	Larkin et al.
2010/0022990	A1	1/2010	Karpowicz et al.
2010/0036333	A1	2/2010	Schenk, III et al.
2010/0258690	A1	10/2010	Kleitsch et al.
2010/0314517	A1	12/2010	Patzer
2011/0066110	A1	3/2011	Fathallah et al.
2011/0077605	A1	3/2011	Karpowicz et al.
2011/0190703	A1	8/2011	Pratt et al.
2011/0290979	A1	12/2011	Henault et al.
2012/0123323	A1	5/2012	Kagan et al.
2012/0181405	A1	7/2012	Zlatic et al.
2012/0209228	A1	8/2012	Croizat et al.
2012/0271256	A1	10/2012	Locke et al.
2013/0289536	A1	10/2013	Croizat et al.

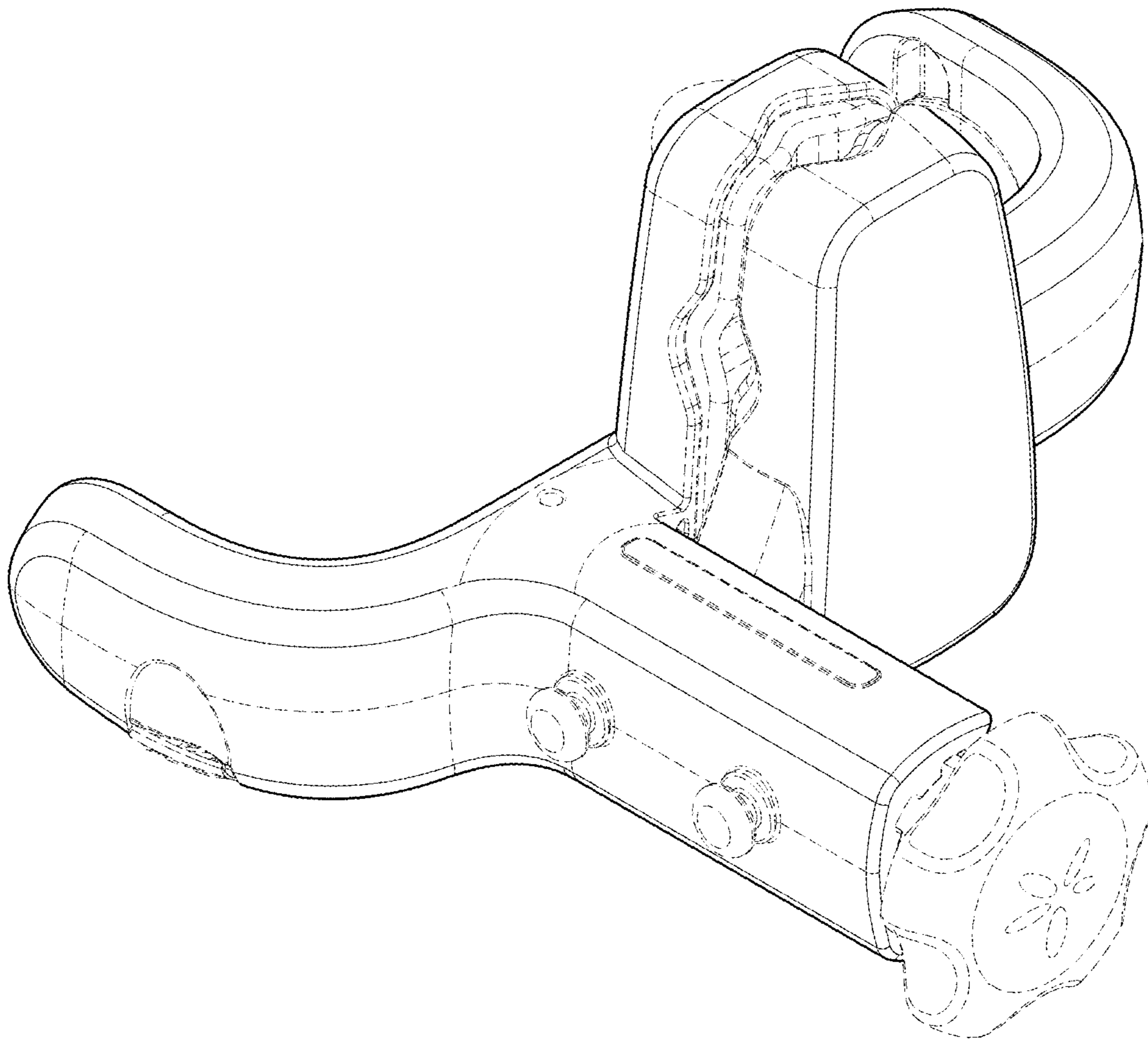
FOREIGN PATENT DOCUMENTS

EP	1 797 918	6/2007
WO	WO 01/036027	5/2001
WO	WO 03/055432	7/2003
WO	WO 2008/036344	3/2008
WO	WO 2009/151645	12/2009
WO	WO 2010/017484	2/2010
WO	WO 2010/039481	4/2010
WO	WO 2010/126668	11/2010
WO	WO 2012/107430	8/2012
WO	WO 2015/091070	6/2015

\* cited by examiner



*FIG. 1*



*FIG. 2*

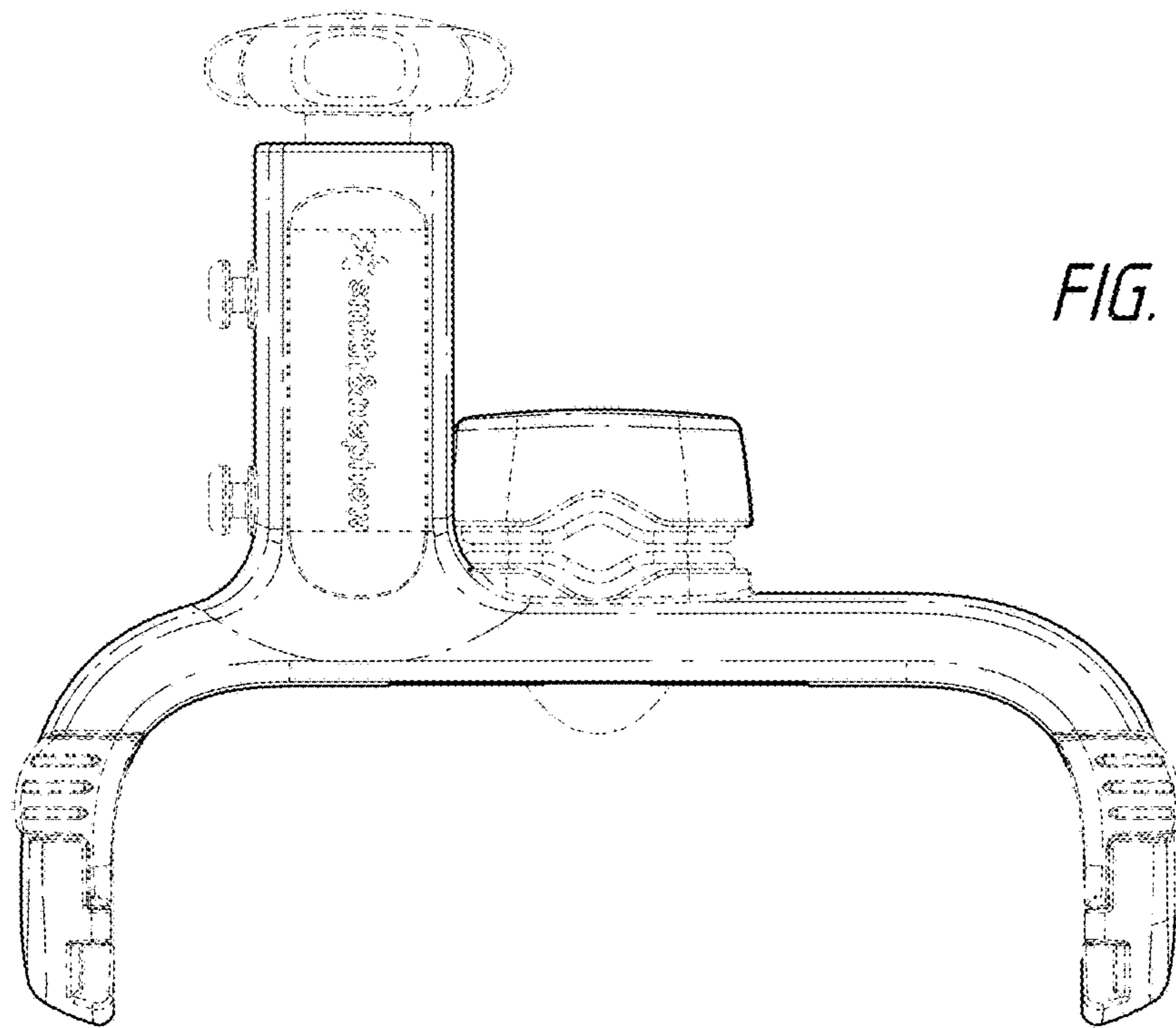


FIG. 3

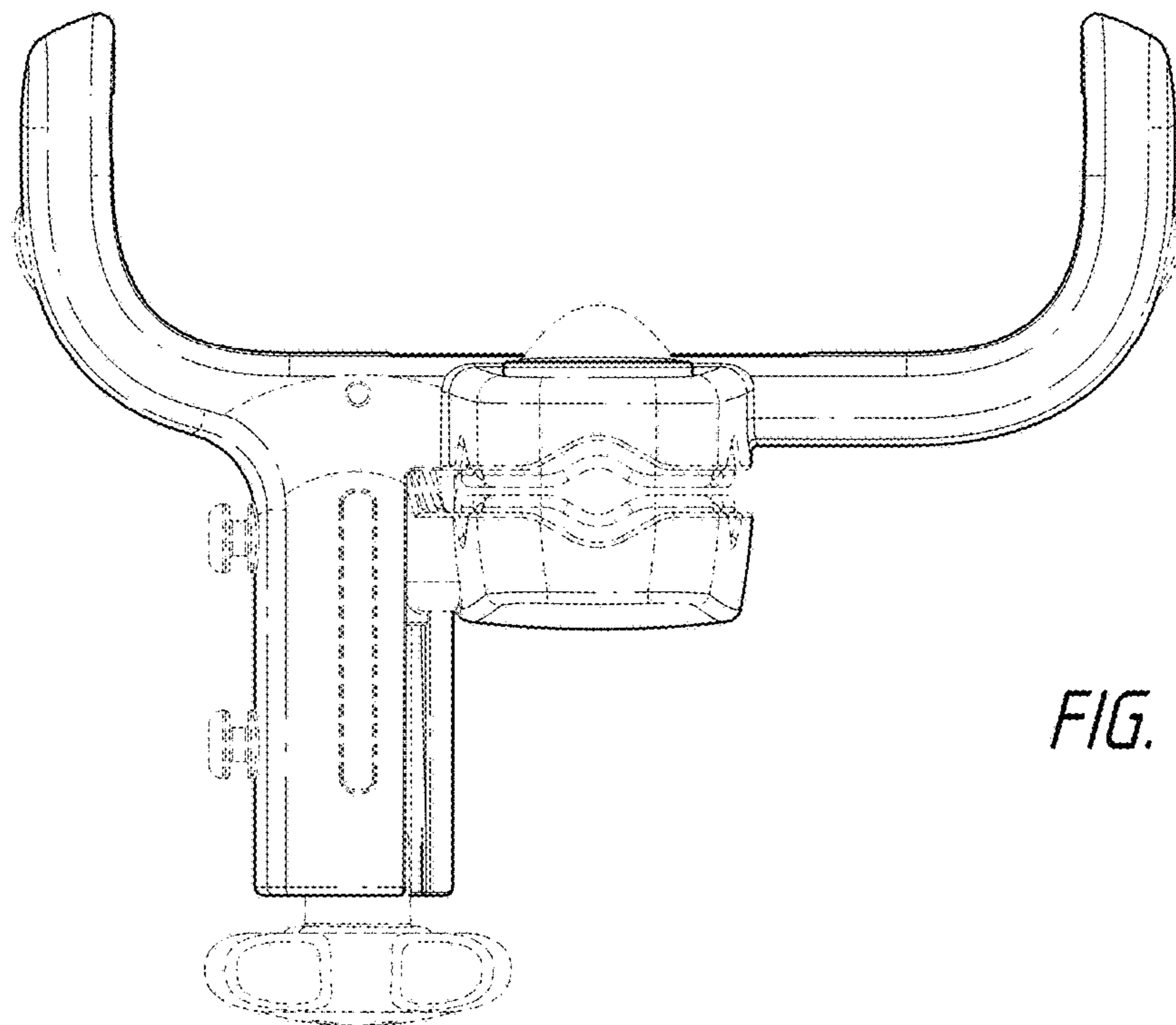


FIG. 4

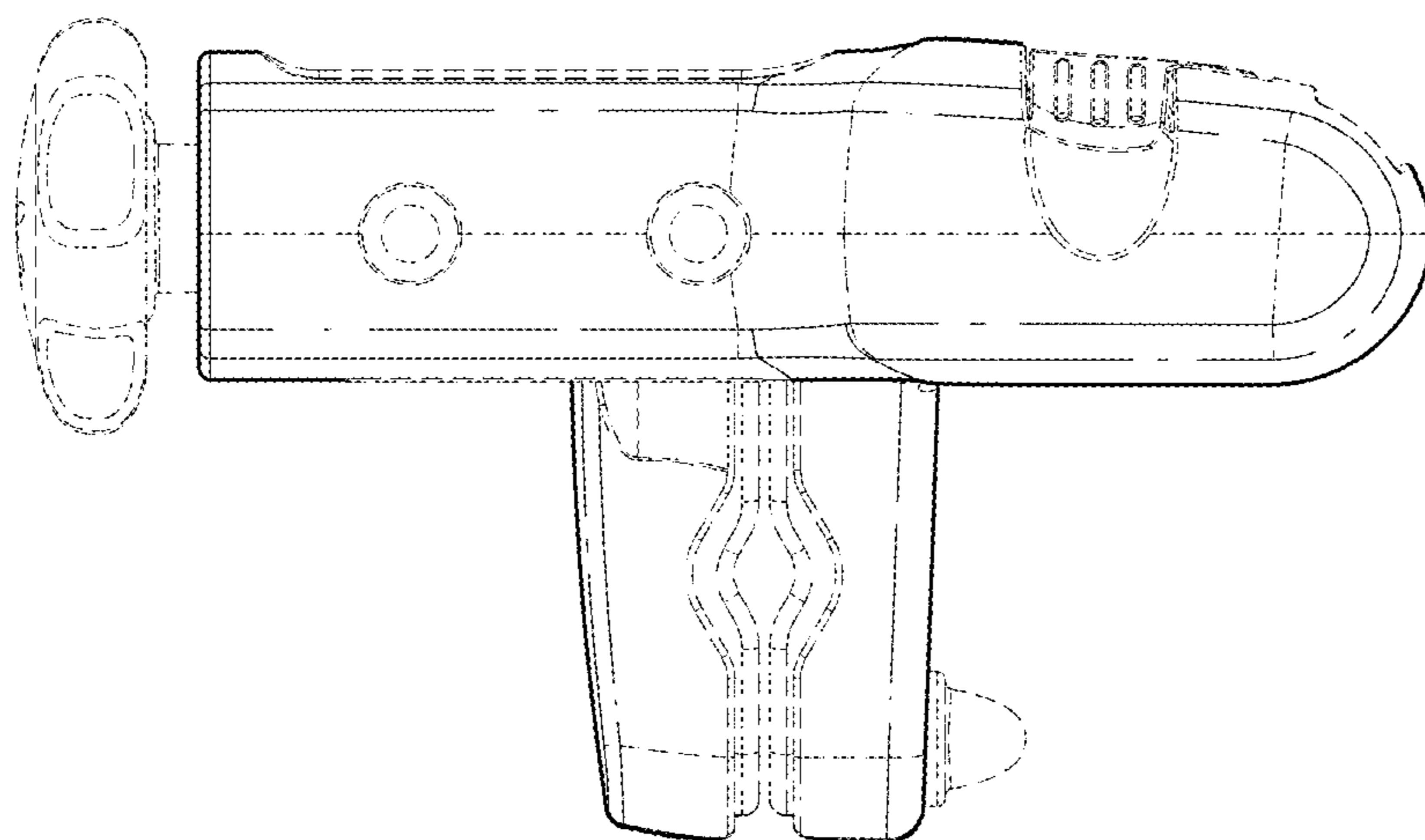


FIG. 5

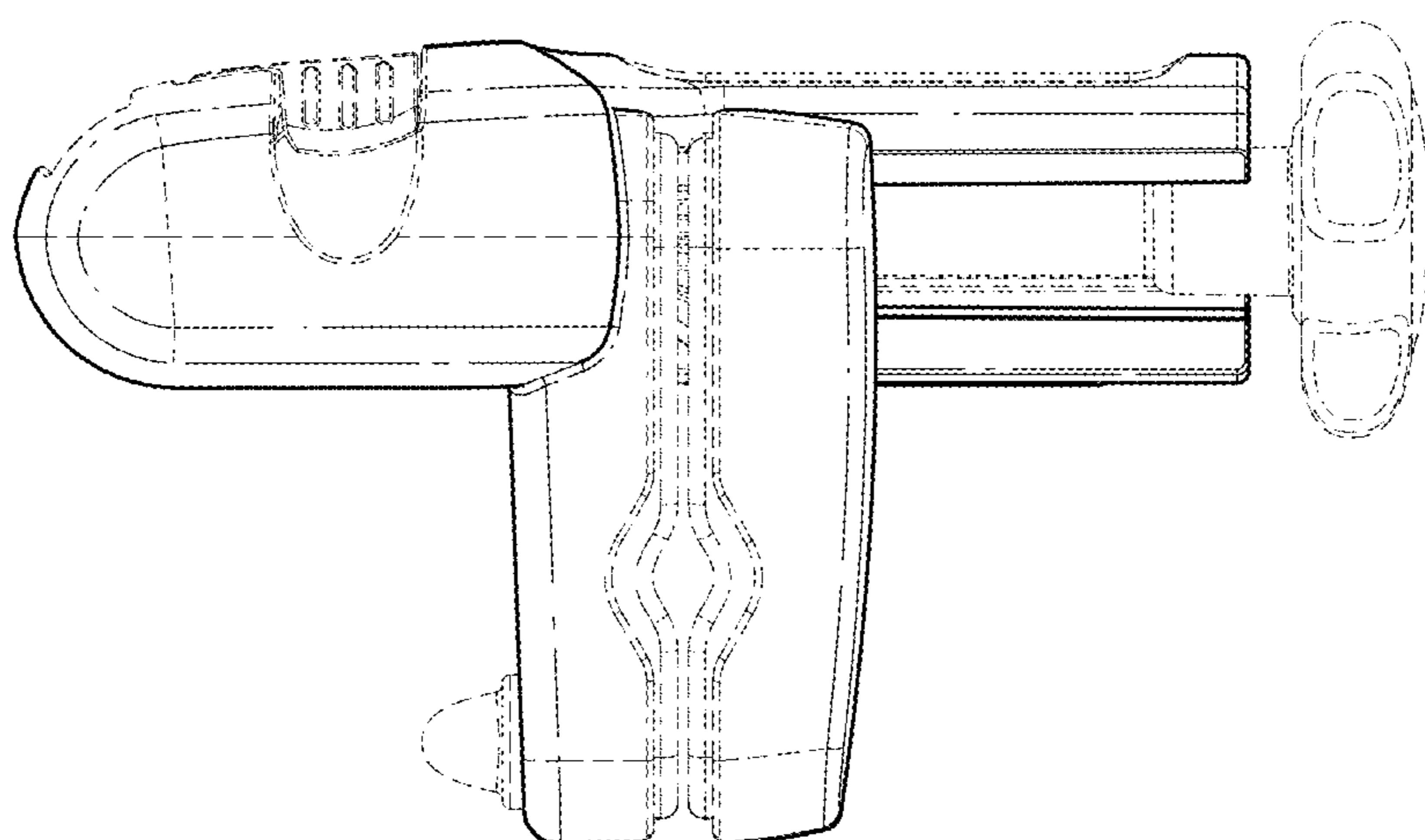
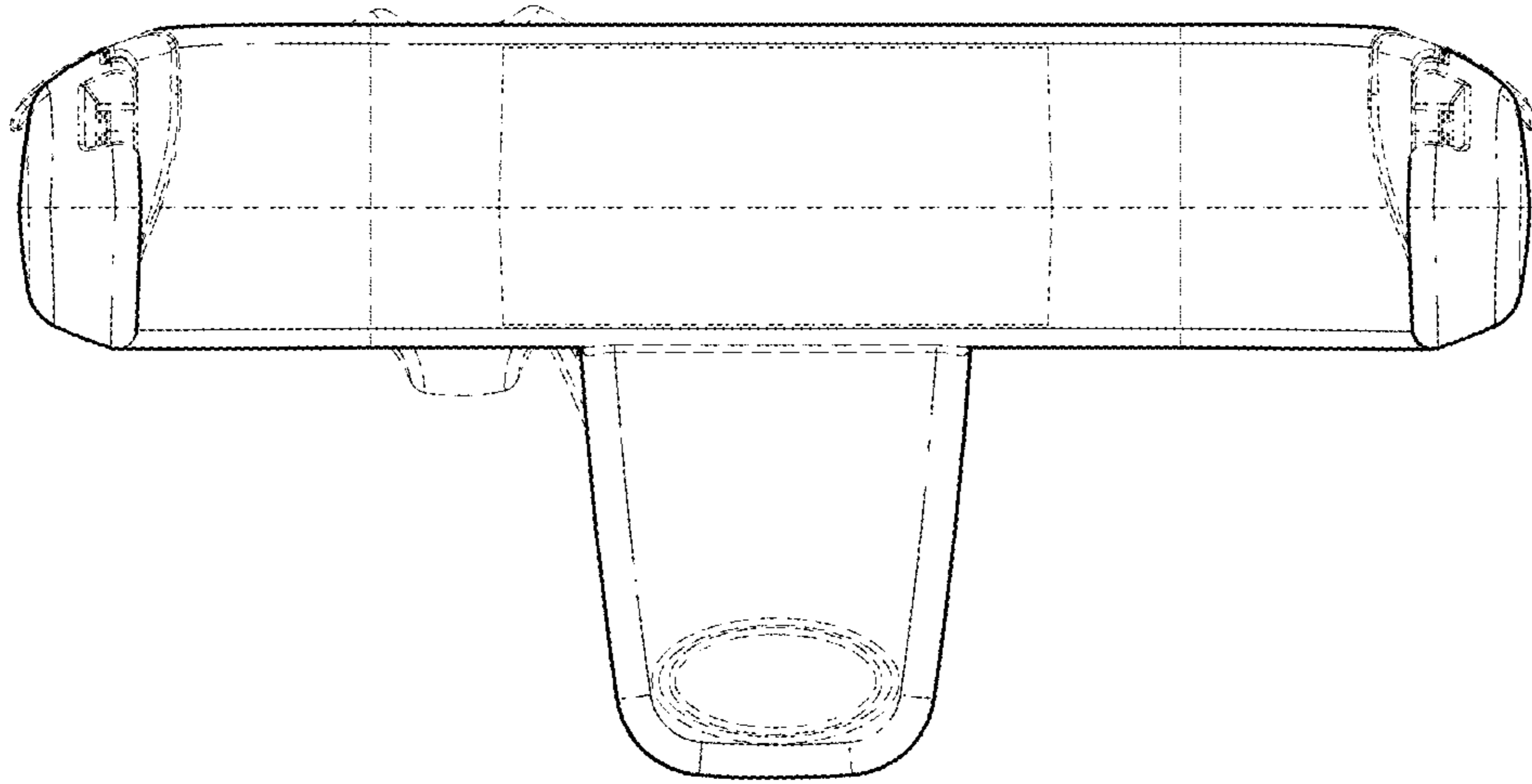
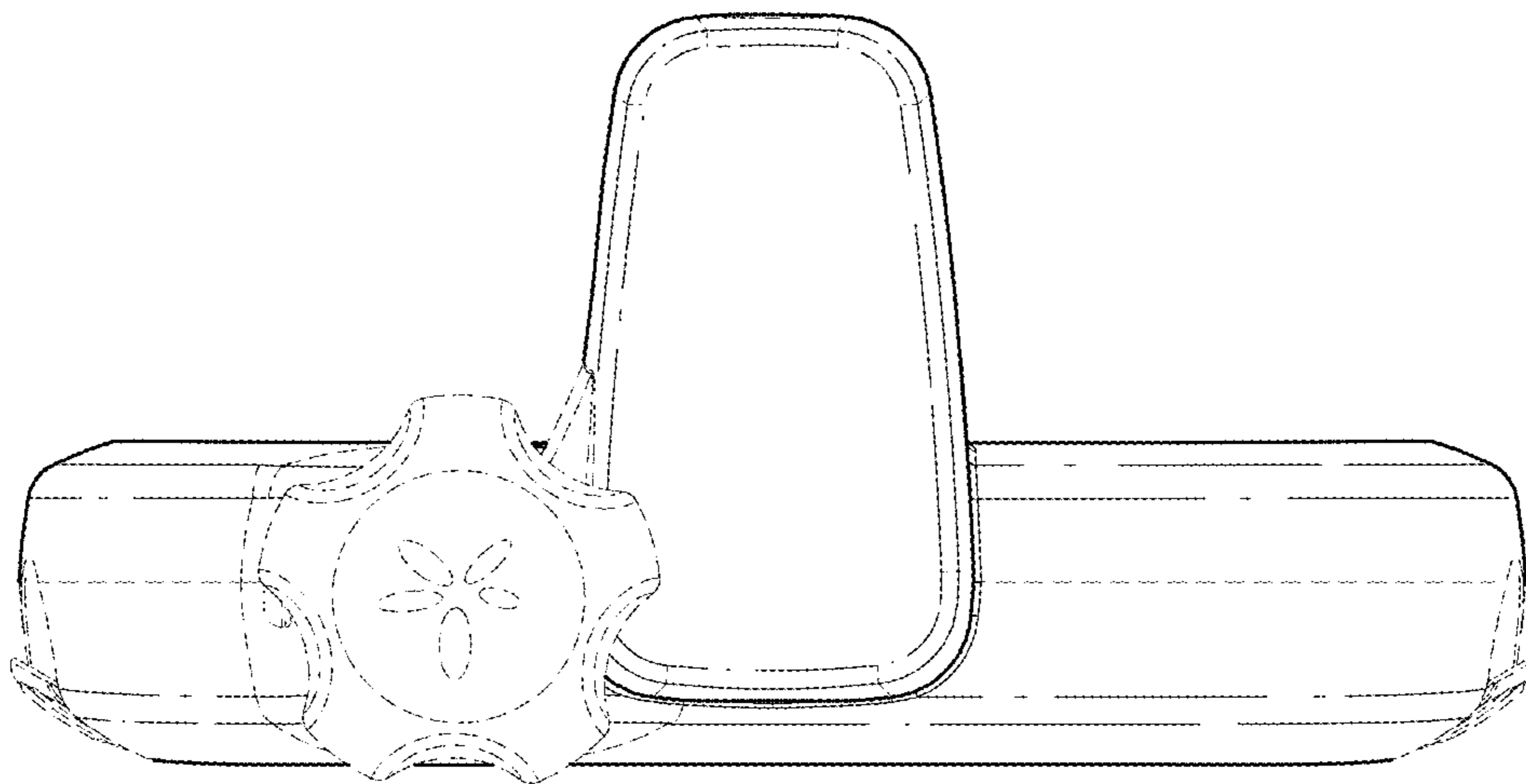


FIG. 6



*FIG. 7*



*FIG. 8*