



US00D788910S

(12) **United States Design Patent** (10) **Patent No.:** **US D788,910 S**
Au et al. (45) **Date of Patent:** **** Jun. 6, 2017**

(54) **ORAL IRRIGATOR POWER SUPPLY CARTRIDGE**
(71) Applicant: **WATER PIK, INC.**, Fort Collins, CO (US)
(72) Inventors: **Heman Au**, Seattle, WA (US); **Jeff Ladwig**, Seattle, WA (US)
(73) Assignee: **Water Pik, Inc.**, Fort Collins, CO (US)
(**) Term: **15 Years**
(21) Appl. No.: **29/552,694**
(22) Filed: **Jan. 25, 2016**
(51) **LOC (10) Cl.** **24-02**
(52) **U.S. Cl.**
USPC **D24/127**
(58) **Field of Classification Search**
USPC D24/127-131, 111, 108, 112-114, 133, D24/186; 433/80; 601/162
CPC . A61C 17/02; A61C 17/0202; A61C 17/0214; A61C 17/0205
See application file for complete search history.

D709,183 S * 7/2014 Kemlein D24/111
D745,423 S * 12/2015 Khattak D10/81
D746,975 S * 1/2016 Schenck D24/111
D764,051 S * 8/2016 Wang D24/111
D774,651 S * 12/2016 Kaib D24/186
D776,253 S * 1/2017 Li D24/108

* cited by examiner

Primary Examiner — David Muller

(74) *Attorney, Agent, or Firm* — Dorsey & Whitney LLP

(57) **CLAIM**

The ornamental design for an oral irrigator power supply cartridge, as shown and described.

DESCRIPTION

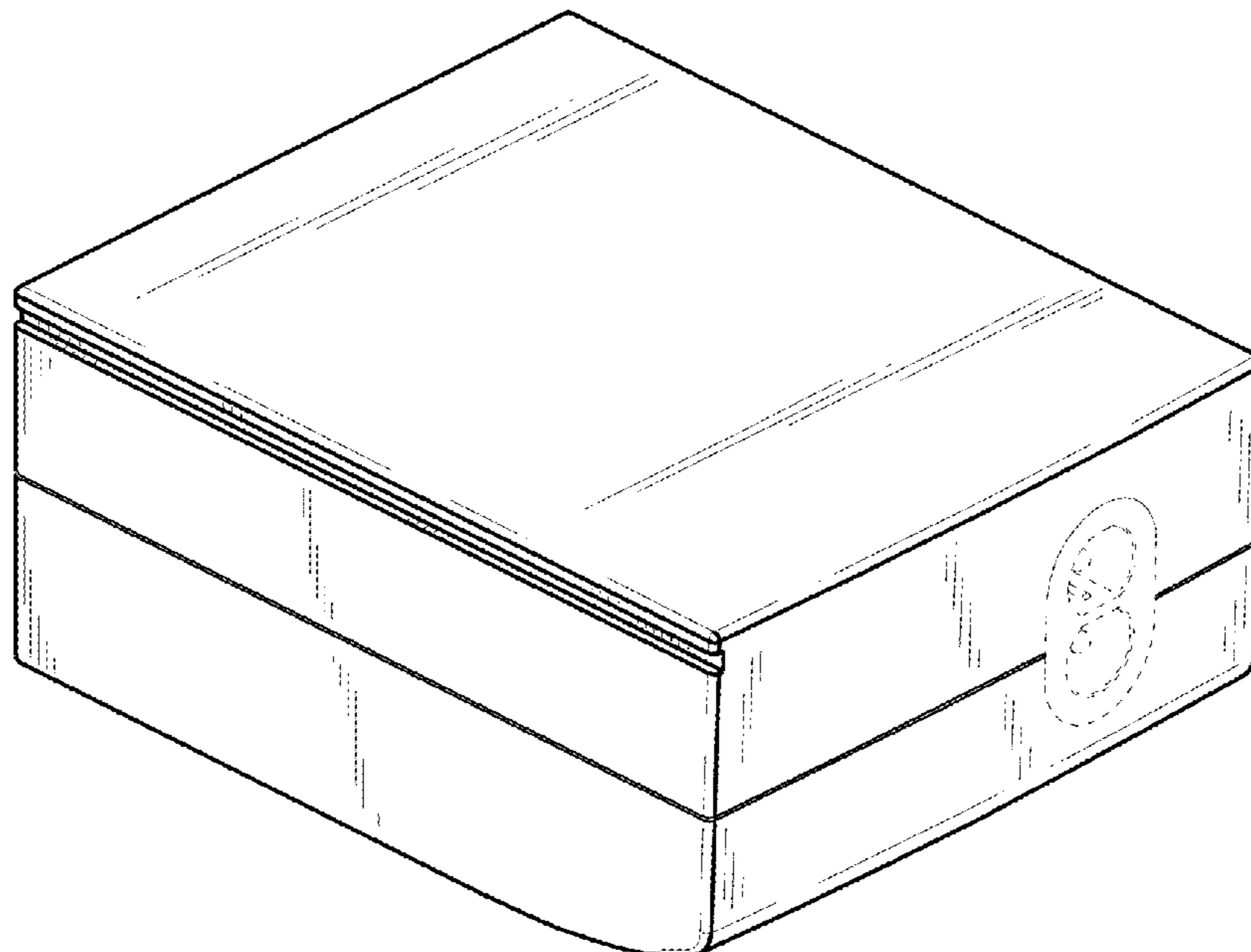
FIG. 1 is a front isometric view of an oral irrigator power supply cartridge.
FIG. 2 is a rear isometric view of the oral irrigator power supply cartridge of FIG. 1.
FIG. 3 is a front elevation view of the oral irrigator power supply cartridge of FIG. 1.
FIG. 4 is a rear elevation view of the oral irrigator power supply cartridge of FIG. 1.
FIG. 5 is a left side elevation view of the oral irrigator power supply cartridge of FIG. 1.
FIG. 6 is a right side elevation view of the oral irrigator power supply cartridge of FIG. 1.
FIG. 7 is a top plan view of the oral irrigator power supply cartridge of FIG. 1; and,
FIG. 8 is a bottom plan view of the oral irrigator power supply cartridge FIG. 1.
The broken lines, which define the bounds of the claimed design, form no part of the claimed design.

1 Claim, 5 Drawing Sheets

(56) **References Cited**

U.S. PATENT DOCUMENTS

D354,559 S * 1/1995 Knute D24/108
D416,999 S * 11/1999 Miyamoto D24/111
D449,884 S * 10/2001 Tobin D24/111
D457,949 S * 5/2002 Krug D24/111
D585,132 S * 1/2009 Pukall D24/111
D588,262 S * 3/2009 Pukall D24/108
D625,406 S * 10/2010 Seki D24/111
D626,647 S * 11/2010 Amborn D24/111
D686,311 S * 7/2013 Mori D24/108
D700,343 S * 2/2014 Liu D24/186



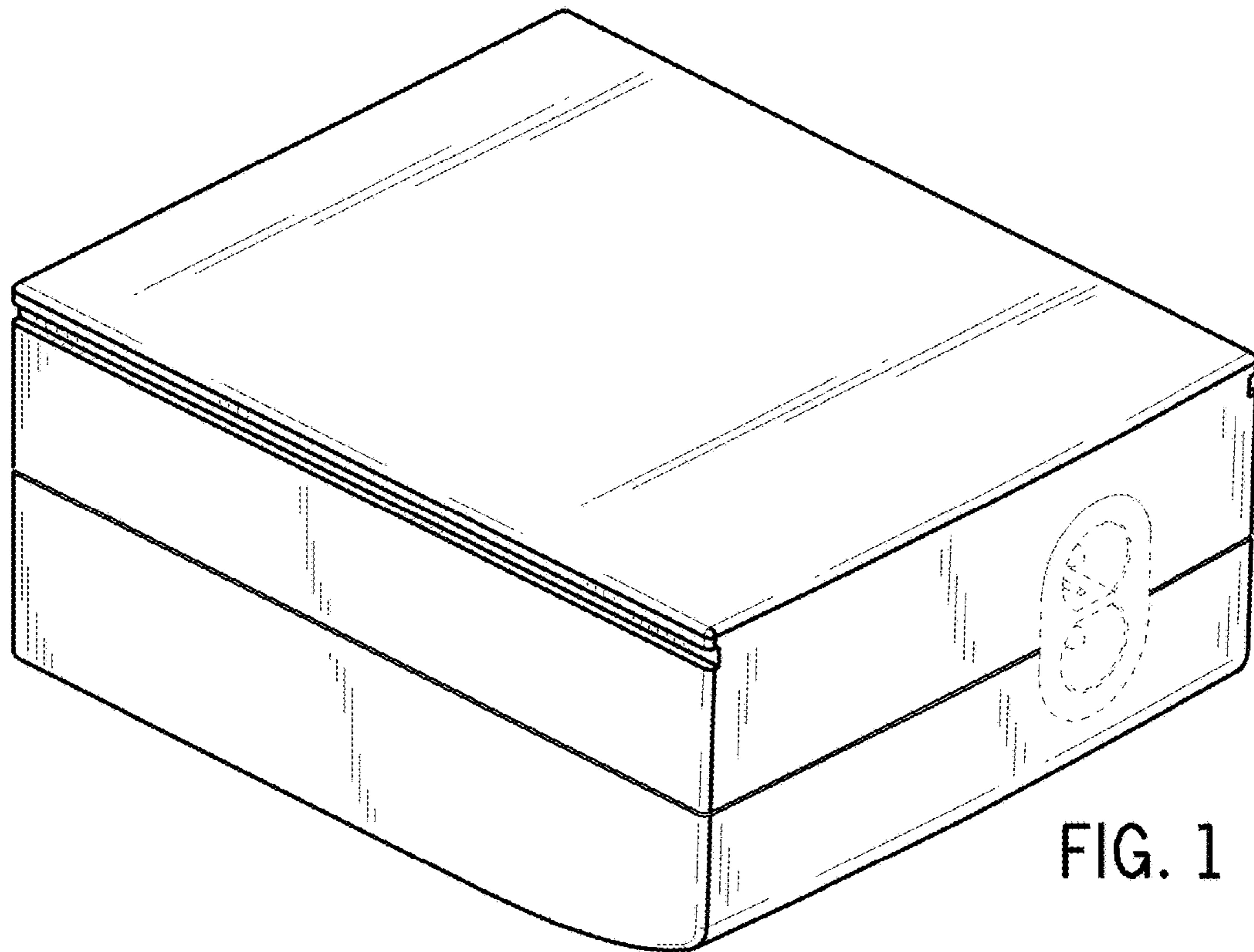


FIG. 1

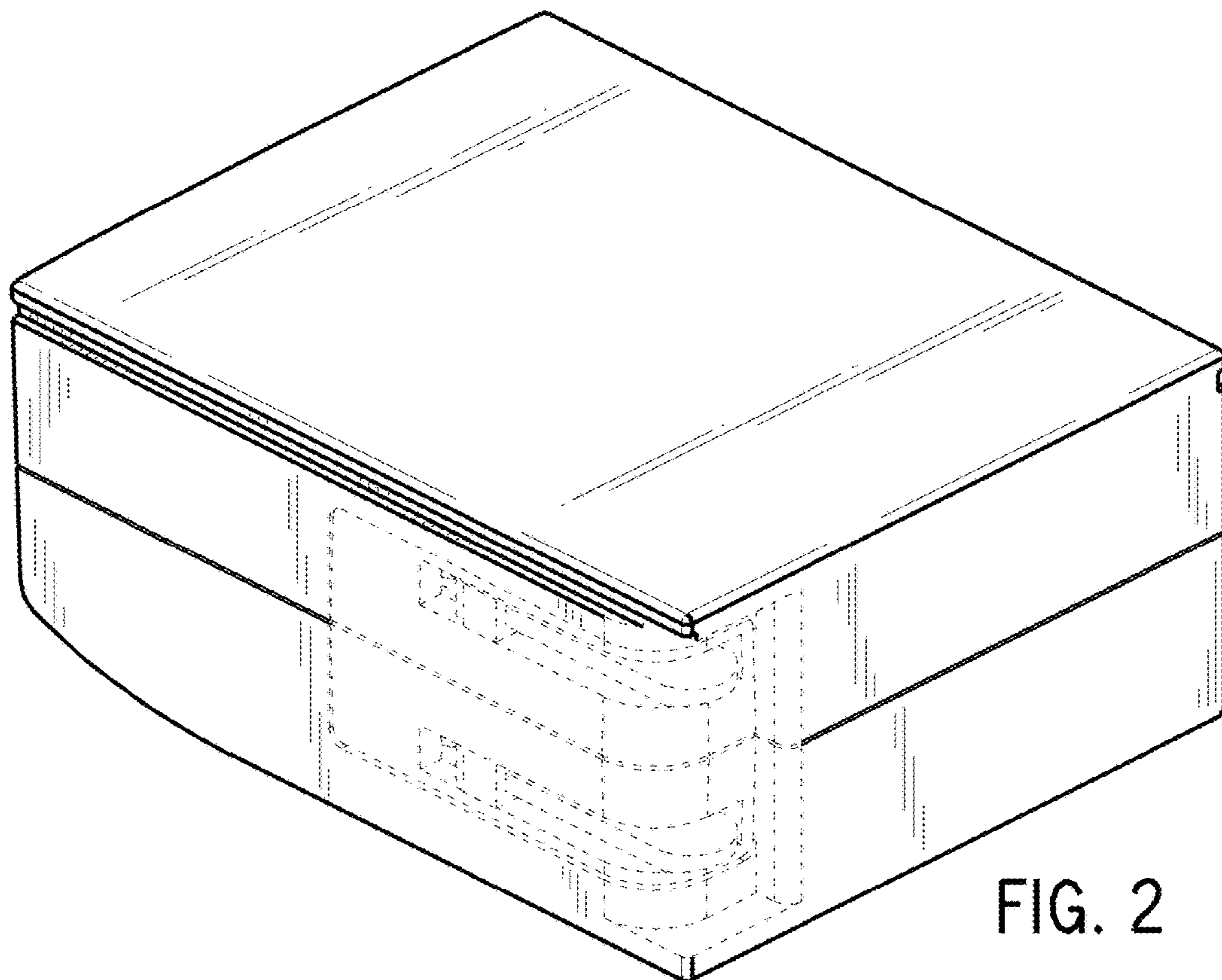


FIG. 2

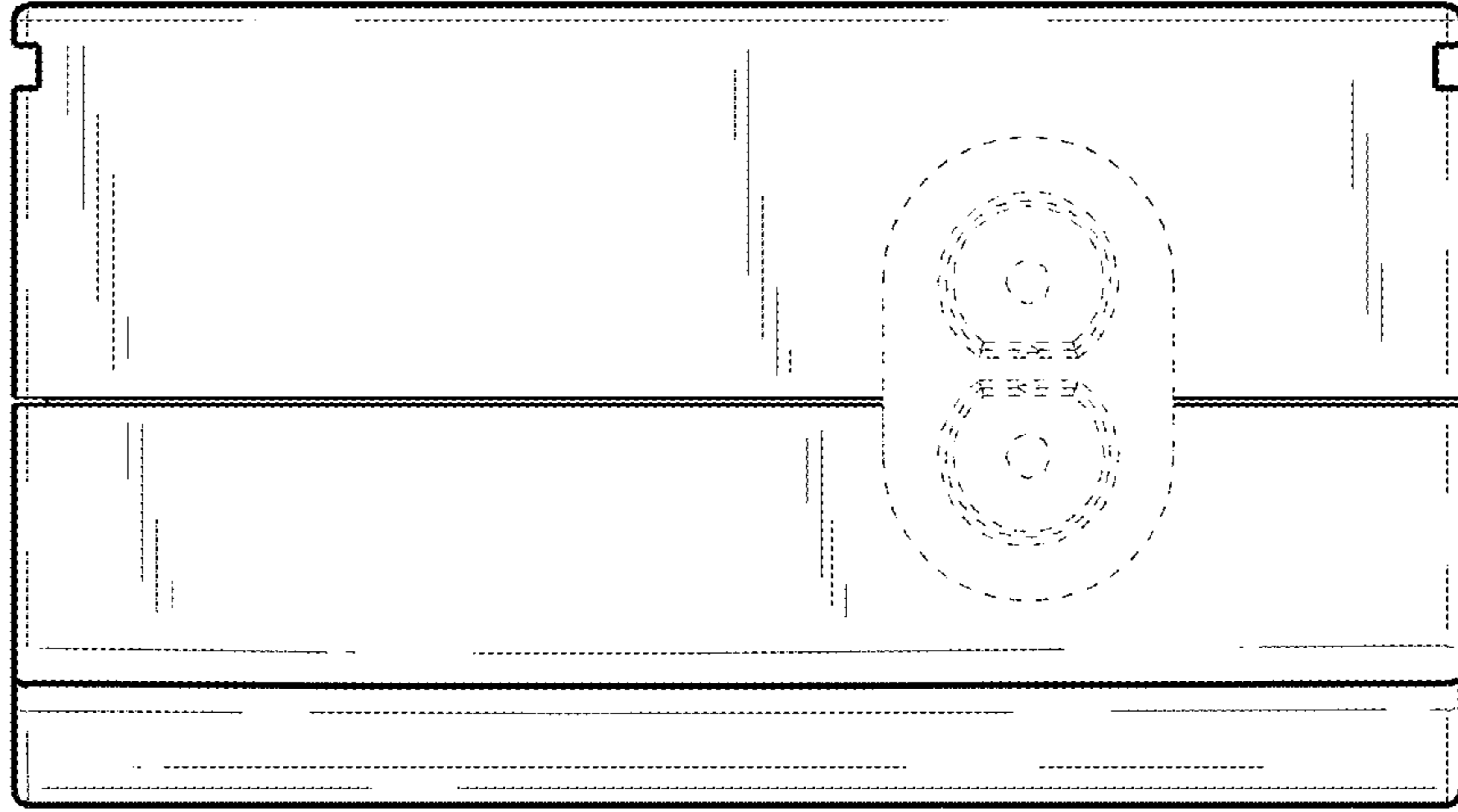


FIG. 3

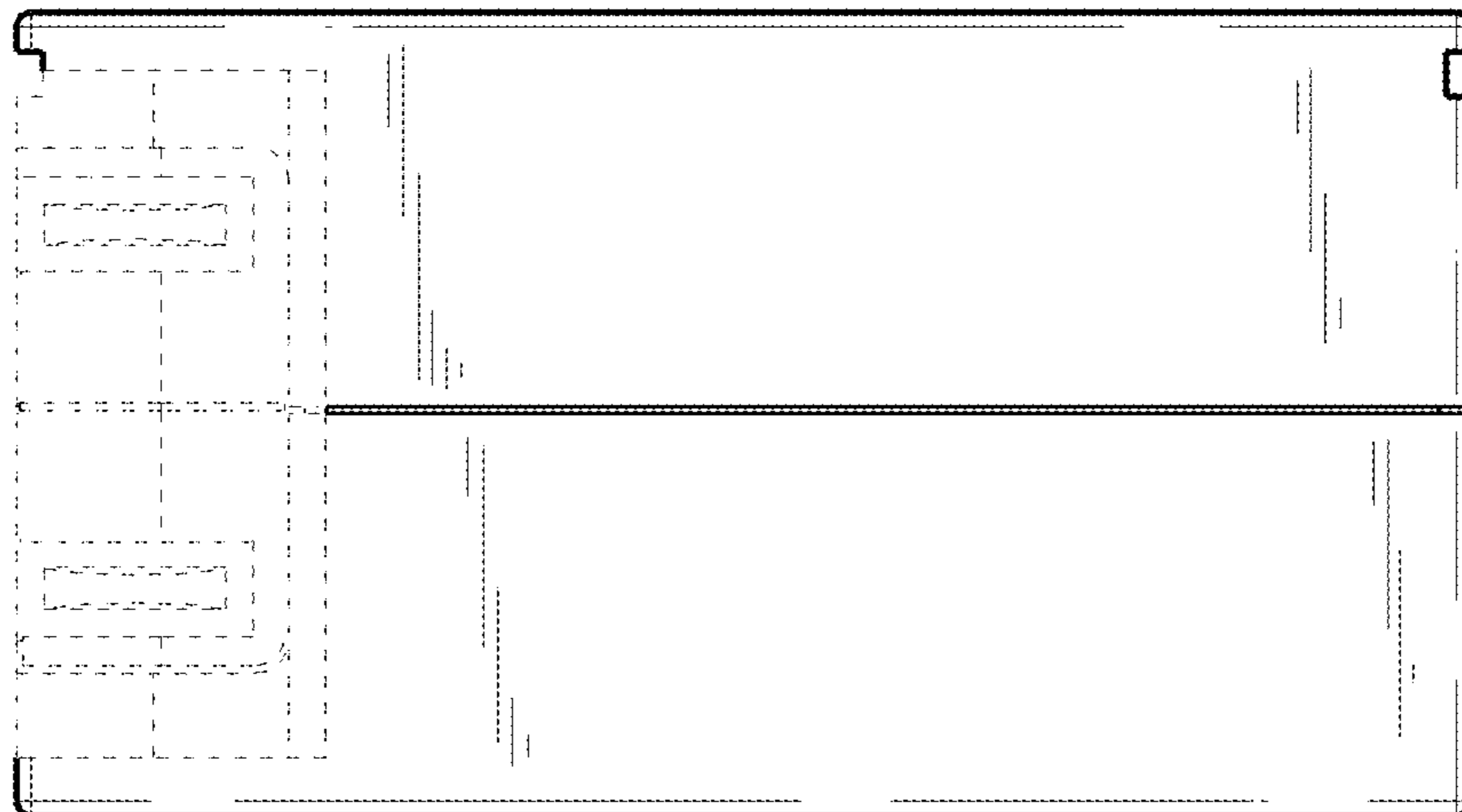


FIG. 4

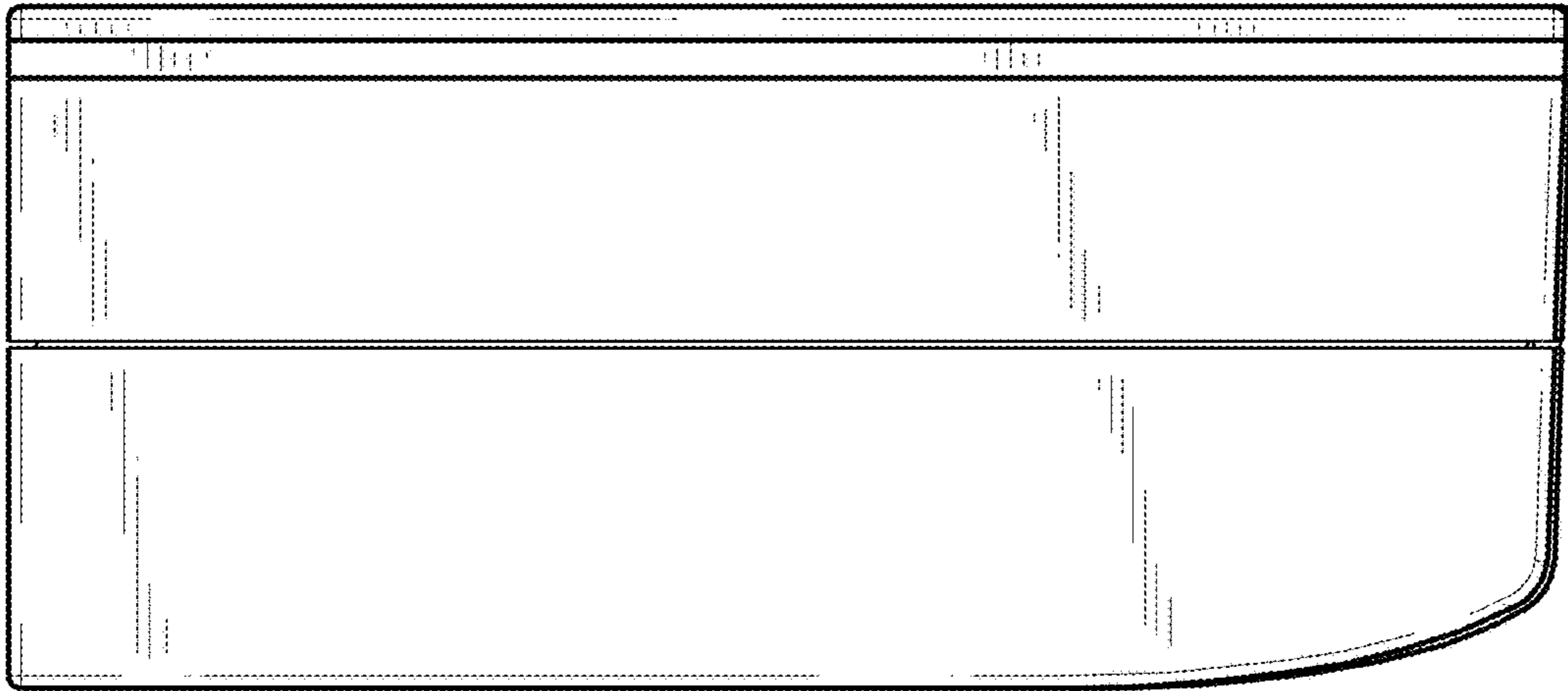


FIG. 5

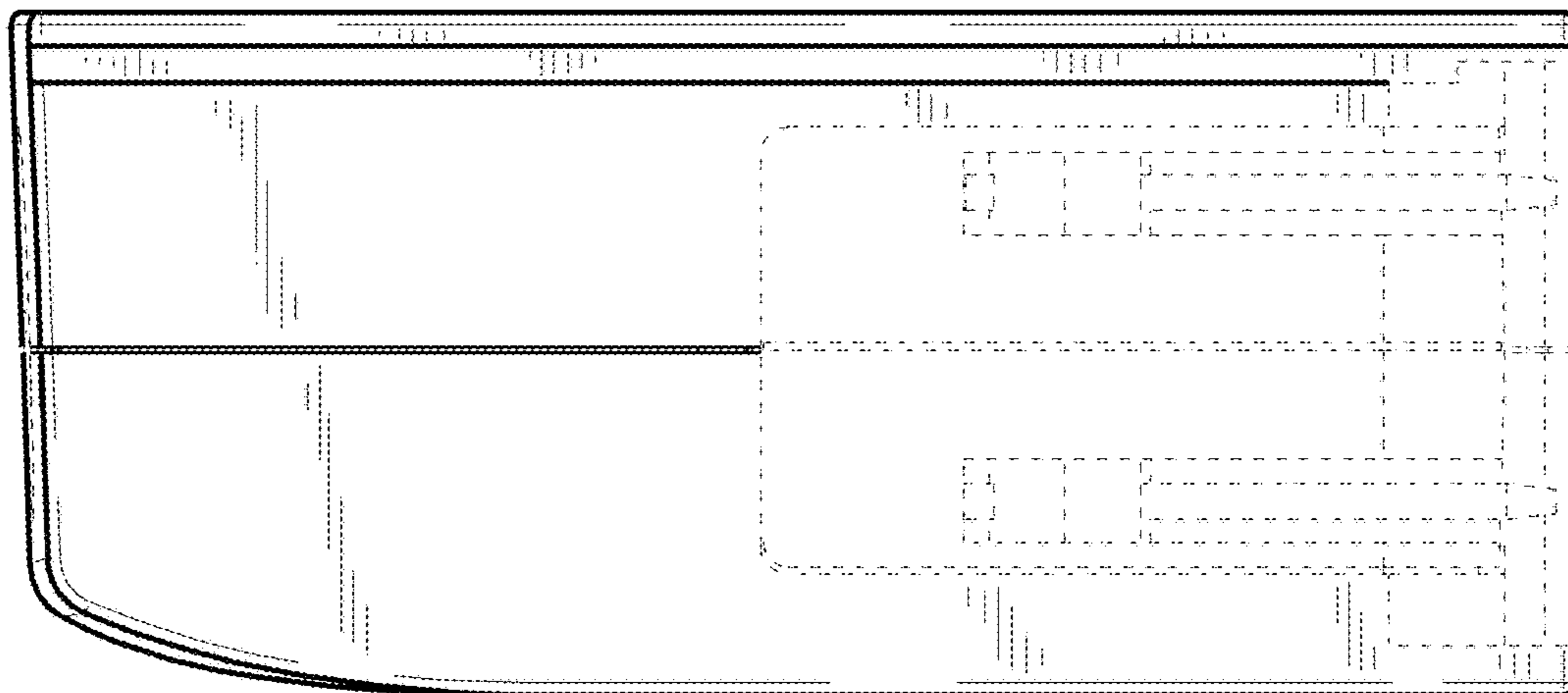


FIG. 6

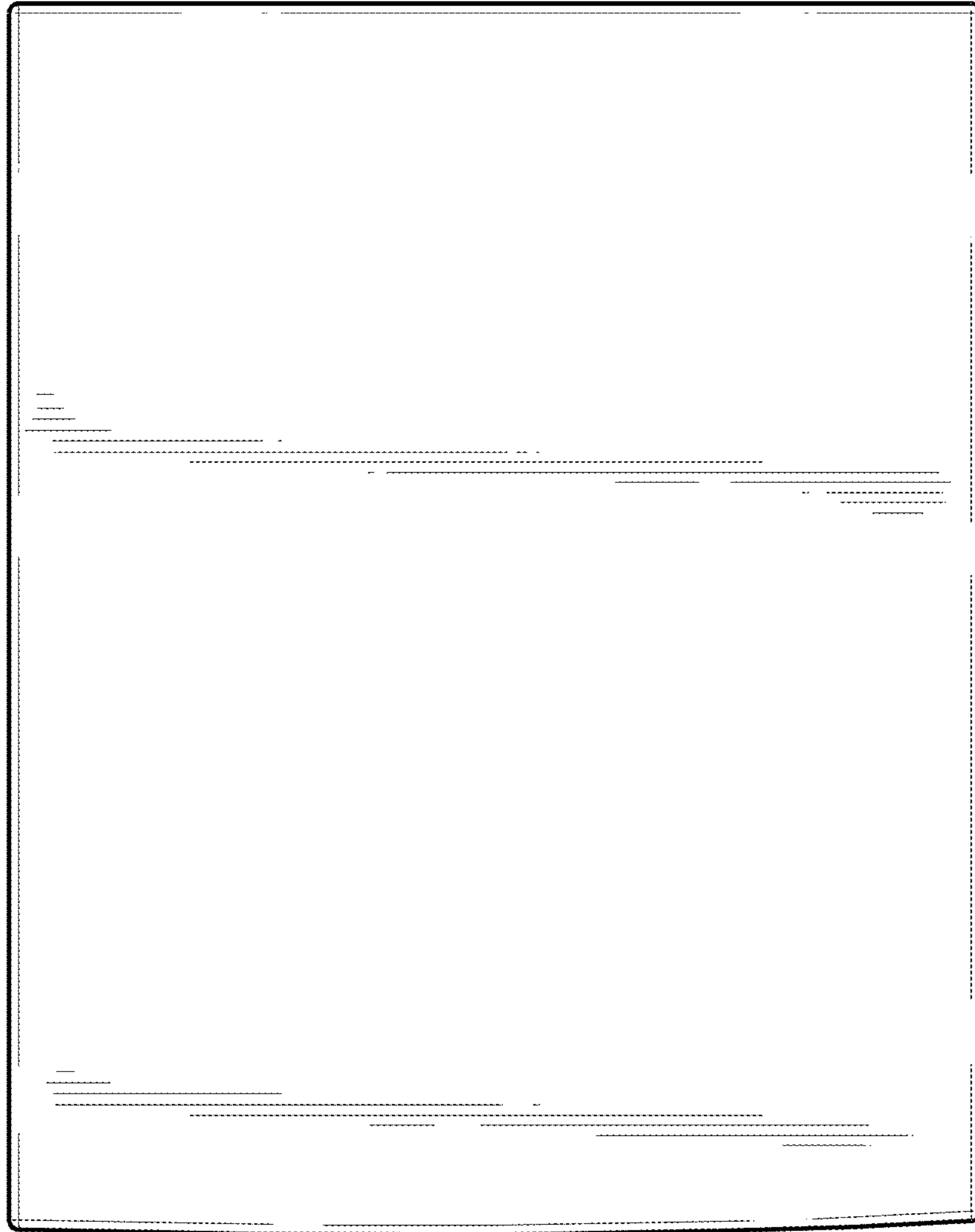


FIG. 7

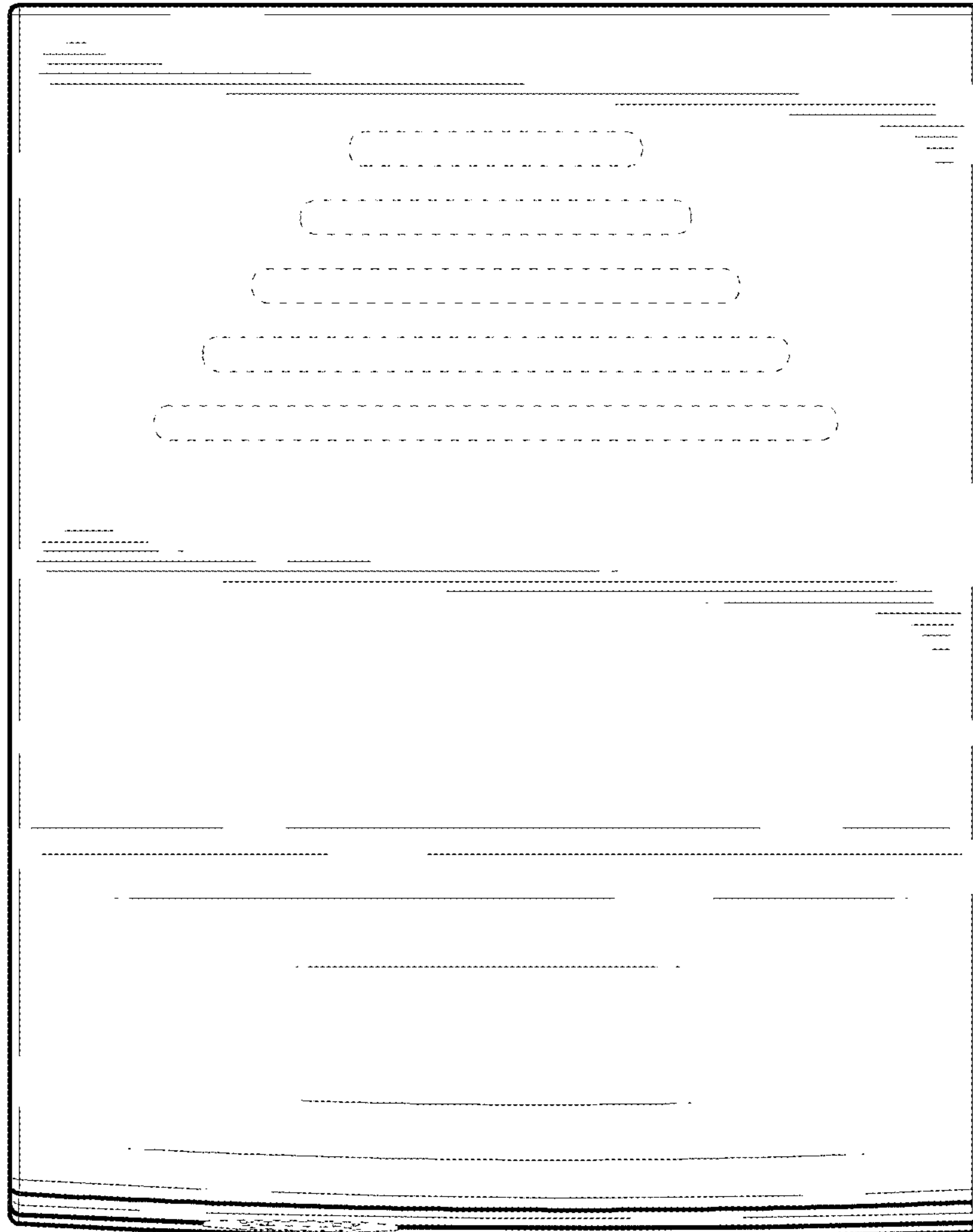


FIG. 8