



US00D788909S

(12) **United States Design Patent**
Ratjen

(10) **Patent No.:** **US D788,909 S**

(45) **Date of Patent:** **** Jun. 6, 2017**

(54) **INJECTION DEVICE**

(71) Applicant: **Sanofi-Aventis Deutschland GmbH**,
Frankfurt am Main (DE)

(72) Inventor: **Jochen Ratjen**, Nacka (SE)

(73) Assignee: **SANOFI-AVENTIS DEUTSCHLAND GMBH**, Frankfurt am Main (DE)

(**) Term: **14 Years**

(21) Appl. No.: **29/494,077**

(22) Filed: **Jun. 17, 2014**

(30) **Foreign Application Priority Data**

Dec. 17, 2013 (EM) 002 371 781

(51) **LOC (10) Cl.** **24-02**

(52) **U.S. Cl.**
USPC **D24/113**

(58) **Field of Classification Search**

USPC D24/112-114, 108, 133, 130, 127, 186;
606/181, 185; 604/264, 272, 187, 181,
604/184, 227

CPC A61M 5/178; A61M 3/00; A61M 5/20;
A61M 5/31

See application file for complete search history.

(56) **References Cited**

U.S. PATENT DOCUMENTS

D450,835 S * 11/2001 Liu D24/112
D457,955 S * 5/2002 Bilitz D24/133

D598,543 S *	8/2009	Vogel	D24/133
D612,052 S *	3/2010	McCollam	D24/133
D634,426 S *	3/2011	Zollers	D24/147
D676,131 S *	2/2013	Pala	D24/113
D677,380 S *	3/2013	Julian	D24/113
D733,289 S *	6/2015	Blanchard	D24/112
D733,869 S *	7/2015	Ratjen	D24/113
D736,923 S *	8/2015	Snow	D24/146
D739,932 S *	9/2015	Ratjen	D24/113
D746,443 S *	12/2015	Chen	D24/113
2005/0060016 A1 *	3/2005	Wu	A61F 2/95 623/1.11

* cited by examiner

Primary Examiner — David Muller

(74) *Attorney, Agent, or Firm* — Scully Scott Murphy and Presser

(57) **CLAIM**

The ornamental design for an injection device, as shown and described.

DESCRIPTION

FIG. 1 is a perspective view of an injection device, showing my new design;

FIG. 2 is a front elevation view thereof;

FIG. 3 is a rear elevation view thereof;

FIG. 4 is a side elevation view thereof;

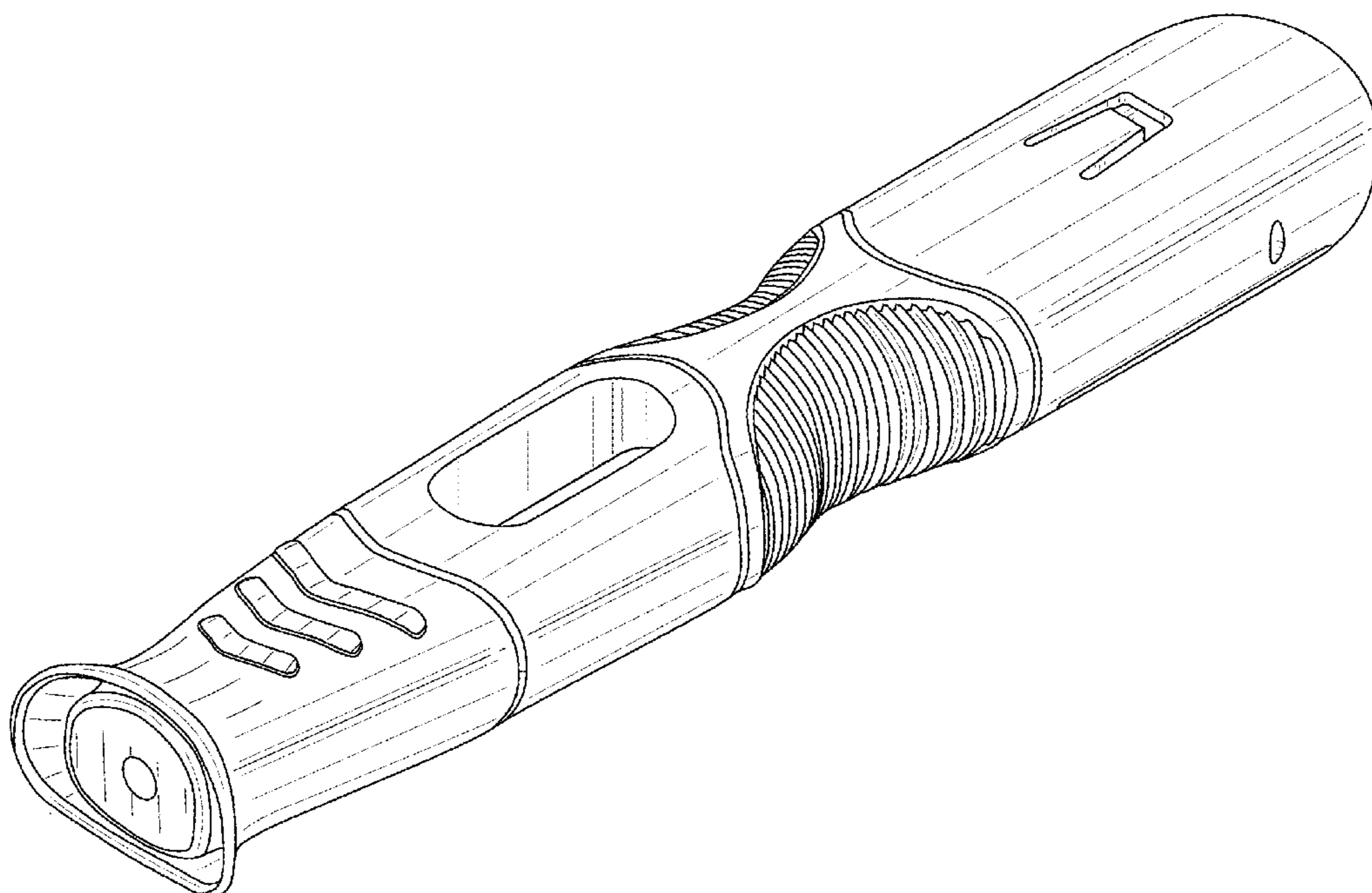
FIG. 5 is an opposite side elevation view thereof;

FIG. 6 is a top plan view thereof; and,

FIG. 7 is a bottom plan view thereof.

The broken lines in the figures consisting of even sized dashes depict portions of the injection device that form no part of the claim.

1 Claim, 4 Drawing Sheets



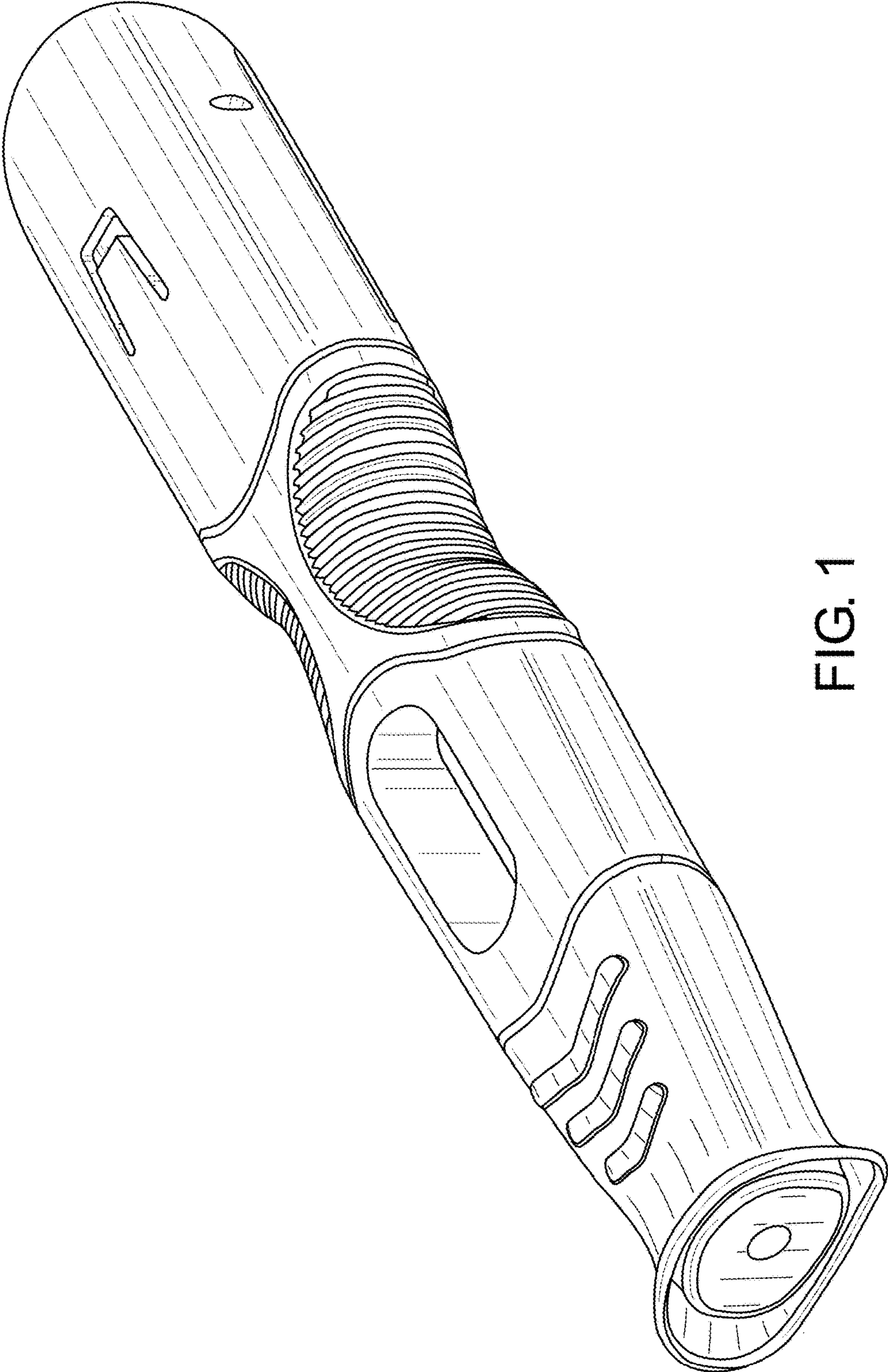


FIG. 1

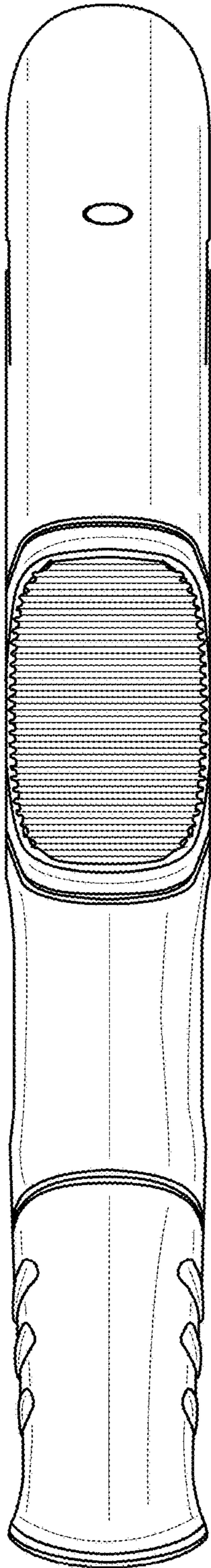


FIG. 2

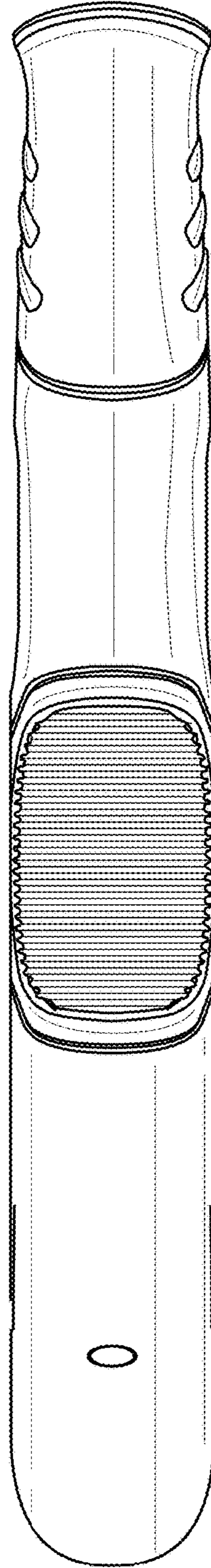


FIG. 3

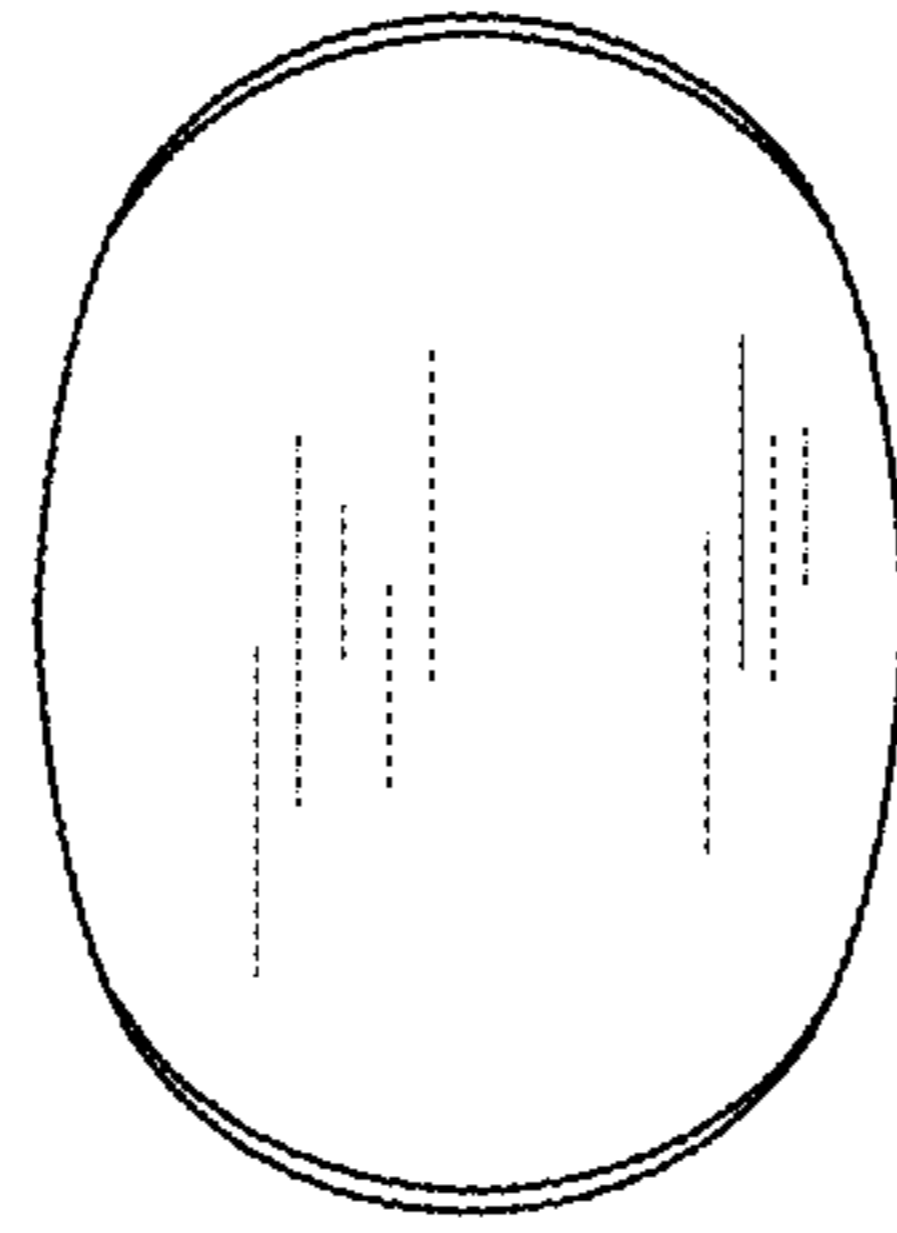


FIG. 5

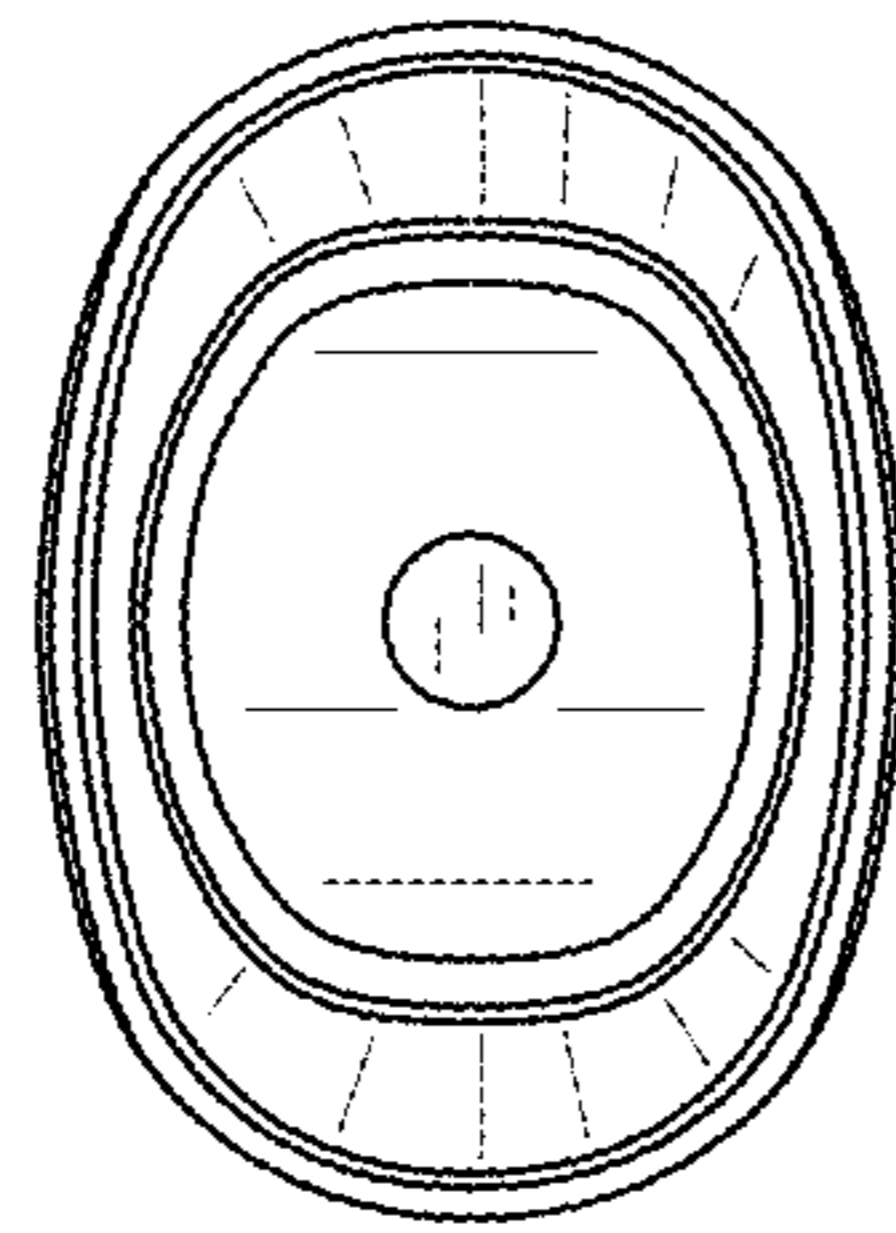


FIG. 4

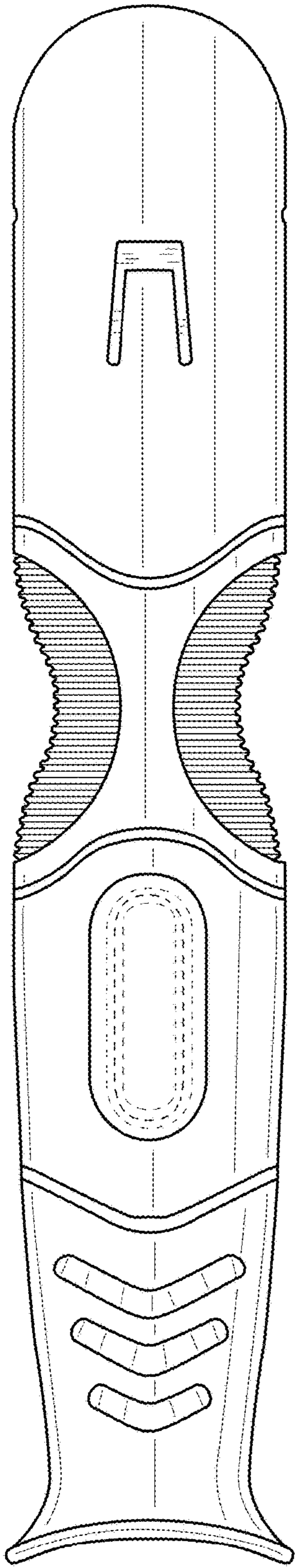


FIG. 6

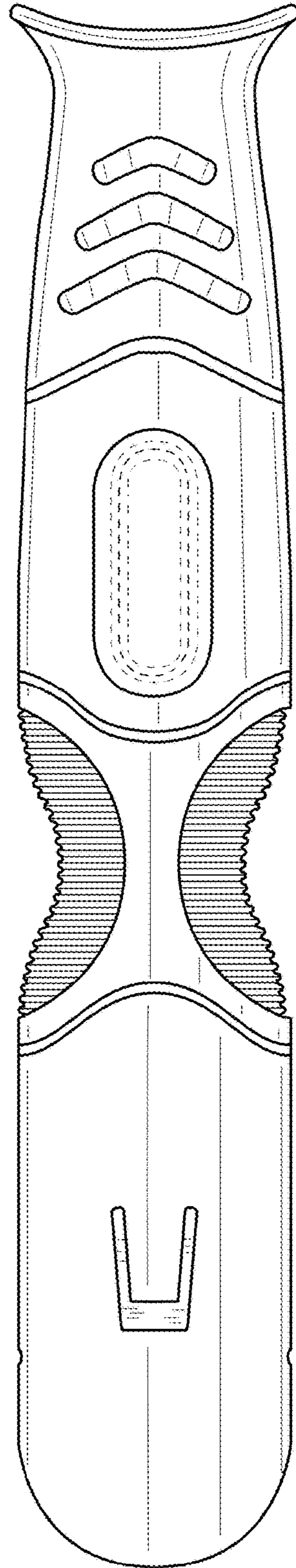


FIG. 7