



US00D788904S

(12) **United States Design Patent** (10) **Patent No.:** **US D788,904 S**
Hanig et al. (45) **Date of Patent:** **** Jun. 6, 2017**

(54) **VENT ASSEMBLY FOR A GRAIN BIN**

(71) Applicant: **Sukup Manufacturing Co.**, Sheffield, IA (US)

(72) Inventors: **John A. Hanig**, Sheffield, IA (US);
Steven E. Sukup, Clear Lake, IA (US);
Eugene G. Sukup, Hampton, IA (US);
Charles E. Sukup, Dougherty, IA (US);
Bradley A. Poppen, Sheffield, IA (US)

(73) Assignee: **Sukup Manufacturing Co.**, Sheffield, IA (US)

(**) Term: **15 Years**

(21) Appl. No.: **29/529,766**

(22) Filed: **Jun. 10, 2015**

Related U.S. Application Data

(63) Continuation of application No. 13/032,413, filed on Feb. 22, 2011, now abandoned.

(51) **LOC (10) Cl.** **23-04**

(52) **U.S. Cl.**
USPC **D23/393**

(58) **Field of Classification Search**
USPC D14/356; D10/93, 104.1, 108, 114;
D8/4, 25, 52; D17/20, 22, 23; D23/323,
D23/328, 333, 335, 336, 337, 341, 352,
D23/357, 370, 385, 386, 397, 399, 400,
D23/406, 411, 413, 499, 382, 388, 391,
D23/392, 393, 394, 395; D13/182
CPC H01R 13/5213; B60Q 1/04; B60Q 1/26;
G10D 3/006; G10D 13/023; G10D
13/027; B25B 15/001; G10H 3/143;
G10H 3/181; G10G 5/005; A42B 1/04;
B64C 11/04; B64C 11/16; B64C 11/18;
B64C 11/20; B64C 2001/009; F03D
3/062; F03D 11/04; F04D 19/002; F04D
25/068; F04D 25/088;

(Continued)

(56) **References Cited**

U.S. PATENT DOCUMENTS

45,814 A 1/1865 Burnett
316,861 A 4/1885 Apple
(Continued)

OTHER PUBLICATIONS

Farm Storage Grain Bins, image post date Jan. 2, 2012, site visited Jan. 9, 2017, (online), <http://web.archive.org/web/20120102103248/http://www.siouxsteel.com/index.php/products/category/farm_bins/?>*.

(Continued)

Primary Examiner — Kevin Rudzinski

Assistant Examiner — Sean D Lough

(74) *Attorney, Agent, or Firm* — Zarley Law Firm, P.L.C.

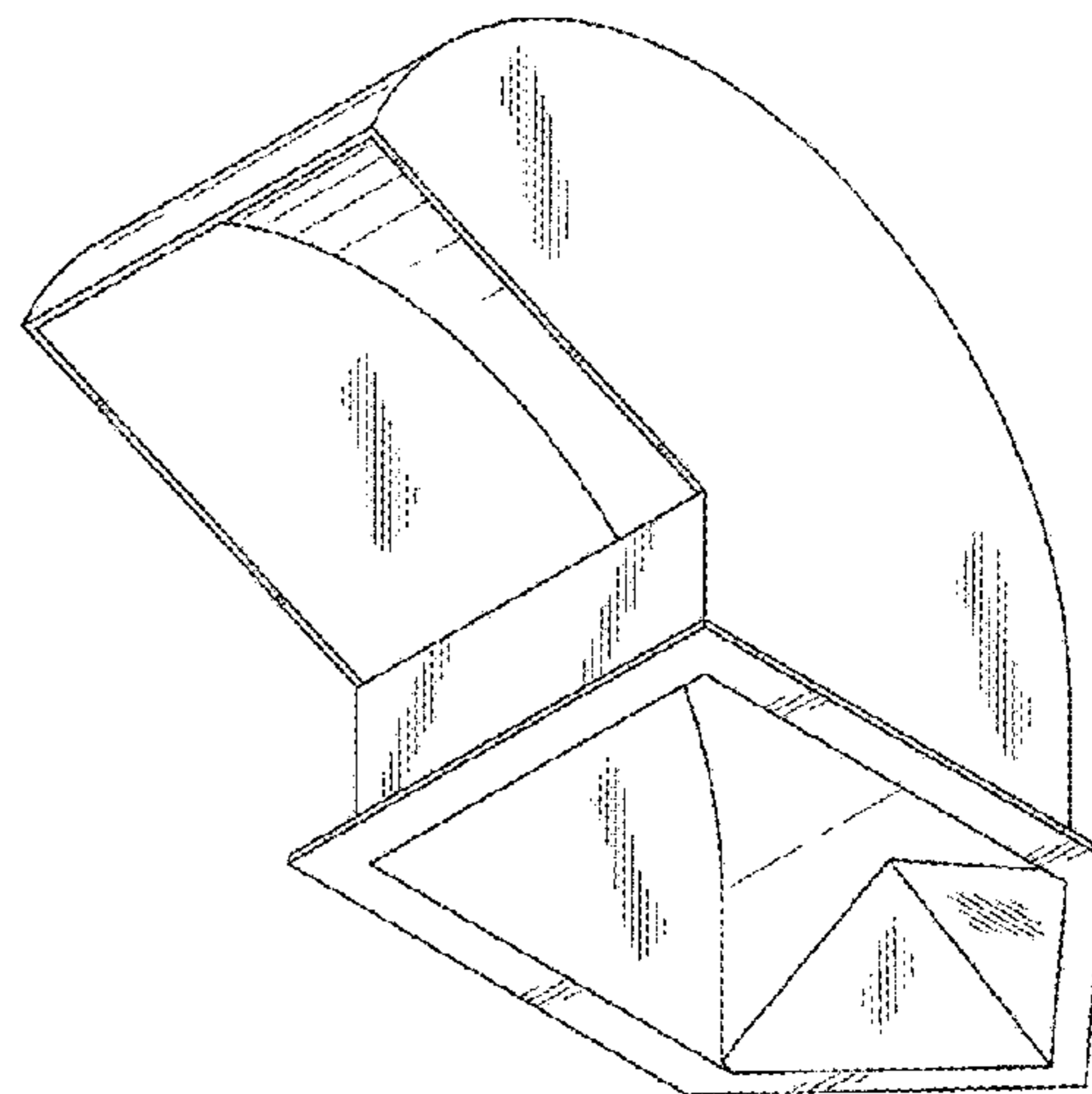
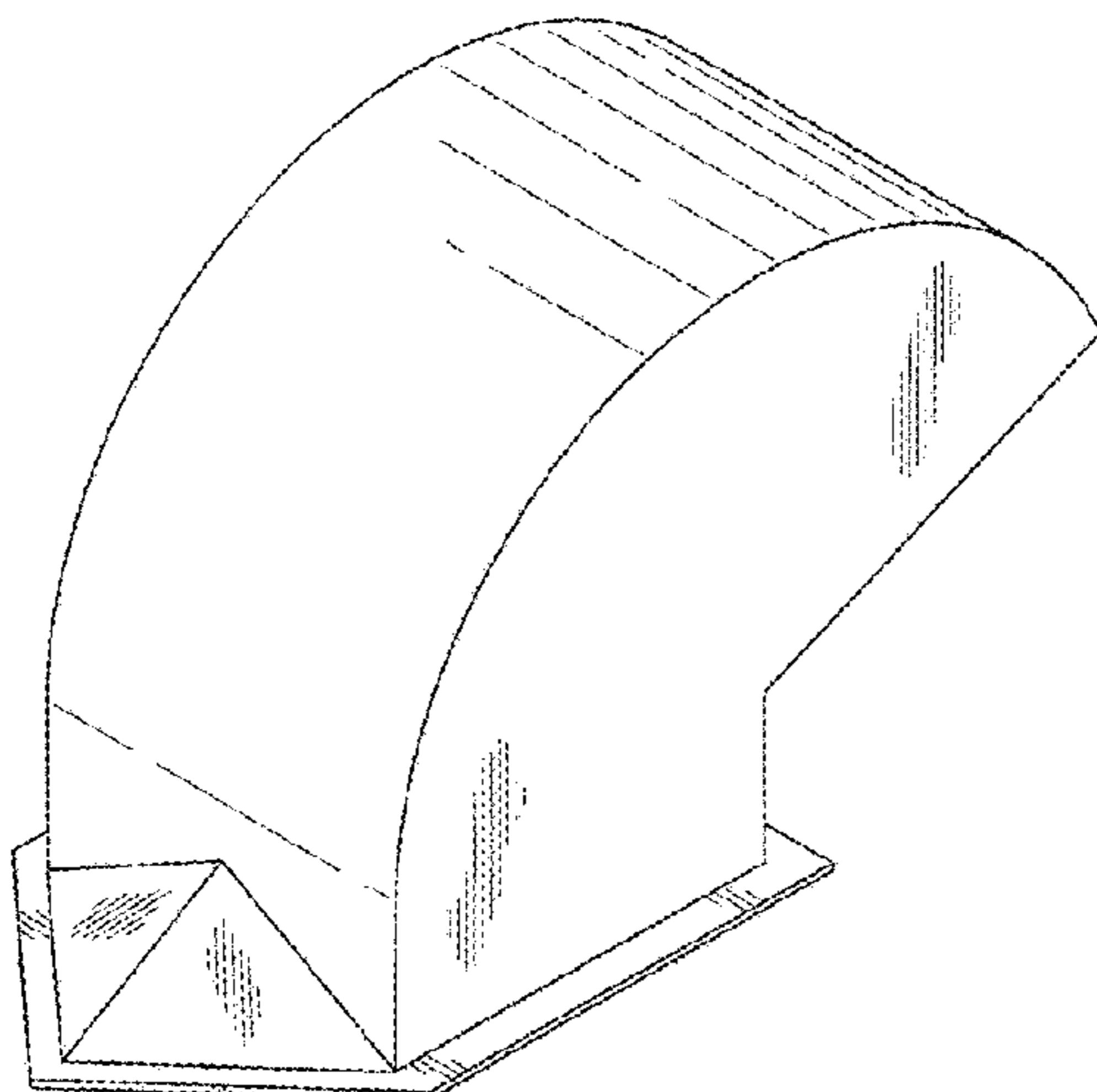
(57) **CLAIM**

We claim the ornamental design for a vent assembly for a grain bin, substantially as shown.

DESCRIPTION

FIG. 1 is a top, front perspective view of a vent assembly for a grain bin;
FIG. 2 is a bottom, rear perspective view of a vent assembly for a grain bin;
FIG. 3 is a front elevation view of a vent assembly for a grain bin;
FIG. 4 is a rear elevation view of a vent assembly for a grain bin;
FIG. 5 is a side elevation view of a vent assembly for a grain bin;
FIG. 6 is a side elevation view of a vent assembly for a grain bin;
FIG. 7 is a top elevation view of a vent assembly for a grain bin; and,
FIG. 8 is a bottom elevation view of a vent assembly for a grain bin.

1 Claim, 8 Drawing Sheets



US D788,904 S

(58) **Field of Classification Search**

CPC F24F 1/0018; F24F 13/24; B64D 13/02;
 B64D 13/00; E04C 2/427; E06B 3/5892;
 E06B 7/02; B24B 37/04; E04F 17/00;
 E21F 1/04; F01P 1/02; F17C 13/04;
 F22B 1/1876; F22B 1/22; F22B 3/04

See application file for complete search history.

(56) **References Cited**

U.S. PATENT DOCUMENTS

359,796 A 3/1887 Lewis
 885,479 A * 4/1908 Huber E06B 7/02
 454/213
 1,264,056 A 4/1918 Geibig
 1,672,291 A 6/1928 Williams
 1,862,213 A 6/1932 Emisch
 2,161,001 A * 6/1939 Bedol E06B 7/02
 160/104
 2,216,864 A * 10/1940 Wasmund F16L 41/025
 138/DIG. 4
 D124,294 S * 12/1940 Leslie D23/373
 2,300,842 A * 11/1942 Leslie E04D 13/17
 454/361
 2,447,472 A * 8/1948 Donley F24F 7/02
 454/366
 D155,345 S * 9/1949 Johnson D23/373
 2,490,220 A 12/1949 Leslie
 2,565,131 A 8/1951 Johnson
 2,630,748 A 3/1953 Brockelsby
 2,741,972 A 4/1956 Pryne
 2,807,202 A 9/1957 Mylting
 3,083,633 A 4/1963 Hochberg
 3,094,915 A 6/1963 Leigh
 3,200,735 A 8/1965 Bergen
 3,225,679 A * 12/1965 Meyer F24F 13/08
 220/326
 3,403,616 A 10/1968 Nelson
 3,521,414 A 7/1970 Malissa
 3,579,930 A 5/1971 Murphy
 D226,609 S * 4/1973 Hilton D23/373
 3,742,659 A 7/1973 Drew
 3,822,637 A 7/1974 Whitlock
 3,919,927 A * 11/1975 Bernard, Jr. B60H 1/262
 454/104
 4,090,436 A 5/1978 Wright
 4,214,511 A 7/1980 Mueller
 4,287,816 A 9/1981 Riccard
 D269,112 S * 5/1983 Armbruster D23/370
 D271,713 S * 12/1983 Hicks D23/393
 4,480,534 A 11/1984 Sloan
 4,546,693 A 10/1985 McTaw, Jr.
 4,625,630 A 12/1986 Carroll et al.
 D288,230 S * 2/1987 Thatcher D23/263
 D295,216 S * 4/1988 Morris D23/355
 D299,530 S * 1/1989 Hansen D23/374
 D304,367 S * 10/1989 Saas D23/373
 4,890,546 A 1/1990 Venge
 5,344,363 A * 9/1994 Pollock B65D 90/34
 137/527.8
 5,394,663 A 3/1995 Jackson
 5,630,752 A 5/1997 Gubash
 5,632,678 A 5/1997 Doelfel
 5,655,964 A * 8/1997 Rheault F24F 7/02
 454/368
 5,759,098 A 6/1998 Jarnot
 D397,202 S * 8/1998 Saar D23/387
 5,970,667 A 10/1999 Thaler

D421,644 S * 3/2000 Andersen D23/263
 D433,496 S * 11/2000 Hadley D23/373
 6,155,008 A 12/2000 McKee
 D448,468 S * 9/2001 Koessler D23/373
 D459,007 S * 6/2002 Campacci D25/119
 D471,991 S * 3/2003 Maylon D25/119
 6,793,171 B1 * 9/2004 Clark B64C 17/00
 244/1 R
 D528,646 S * 9/2006 Stout, Jr. D23/393
 7,200,970 B2 * 4/2007 Koenig, Jr. E04F 19/02
 52/255
 D545,423 S * 6/2007 Delallo D23/386
 D553,475 S * 10/2007 Gorin D8/353
 7,334,420 B1 * 2/2008 Garris F24F 13/32
 454/365
 D571,450 S * 6/2008 Brown D23/387
 D574,479 S * 8/2008 Brockington D23/373
 D594,964 S * 6/2009 Miyake D23/393
 D618,780 S * 6/2010 Williams, Sr. D23/373
 D618,825 S * 6/2010 Johnson D25/164
 7,810,291 B2 * 10/2010 McPherson E02D 31/02
 404/2
 7,882,670 B2 2/2011 West
 D634,085 S * 3/2011 Lin D32/31
 D653,745 S * 2/2012 Gregg D23/386
 D656,601 S * 3/2012 Roderique D23/386
 D658,281 S * 4/2012 Goemans D23/387
 D669,571 S * 10/2012 Penlesky D23/393
 D674,077 S * 1/2013 Miyake D23/372
 D675,719 S * 2/2013 Eicher D23/373
 D678,996 S * 3/2013 Jones D23/393
 D680,253 S * 4/2013 Herberholt D26/60
 D683,214 S * 5/2013 McAdam D9/430
 D690,805 S * 10/2013 Correia D23/393
 D692,115 S * 10/2013 Ramberg D23/365
 8,595,989 B1 * 12/2013 Greene E04H 7/065
 52/182
 D705,419 S 5/2014 Leonard
 D705,420 S * 5/2014 Eichelberg D23/387
 D715,417 S * 10/2014 McCoy D23/365
 8,869,470 B2 * 10/2014 Lanza E04D 1/30
 285/42
 D721,799 S * 1/2015 Forlong D23/393
 D731,034 S * 6/2015 Eggink D23/267
 D731,047 S * 6/2015 Leonard D23/373
 D732,147 S * 6/2015 French D23/267
 9,080,779 B1 * 7/2015 Leonard F24F 7/02
 D752,190 S * 3/2016 DeNooy D23/267
 D757,924 S * 5/2016 Briggs D23/386
 D762,838 S * 8/2016 Jones D23/393
 D767,786 S * 9/2016 Smith D25/119
 9,534,392 B2 * 1/2017 Wey E04D 13/1476
 2002/0124493 A1 9/2002 Mayo et al.
 2005/0005541 A1 1/2005 West
 2006/0025067 A1 2/2006 Koessler
 2007/0173191 A1 7/2007 Daniels, II et al.
 2008/0188176 A1 8/2008 Hunt et al.
 2011/0294412 A1 12/2011 Vagedes
 2012/0184198 A1 7/2012 Cull et al.
 2012/0214400 A1 * 8/2012 Hanig B65D 88/741
 454/365
 2016/0313015 A1 * 10/2016 Uhlenbusch B60H 1/34

OTHER PUBLICATIONS

MP+ roof system, image post date Apr. 28, 2012, site visited Jan. 9, 2017, (online), <http://www.grainnet.com/articles/MFS_York_Stormor_Introduces_New_MP_Roof_System-122401.html>.*

* cited by examiner

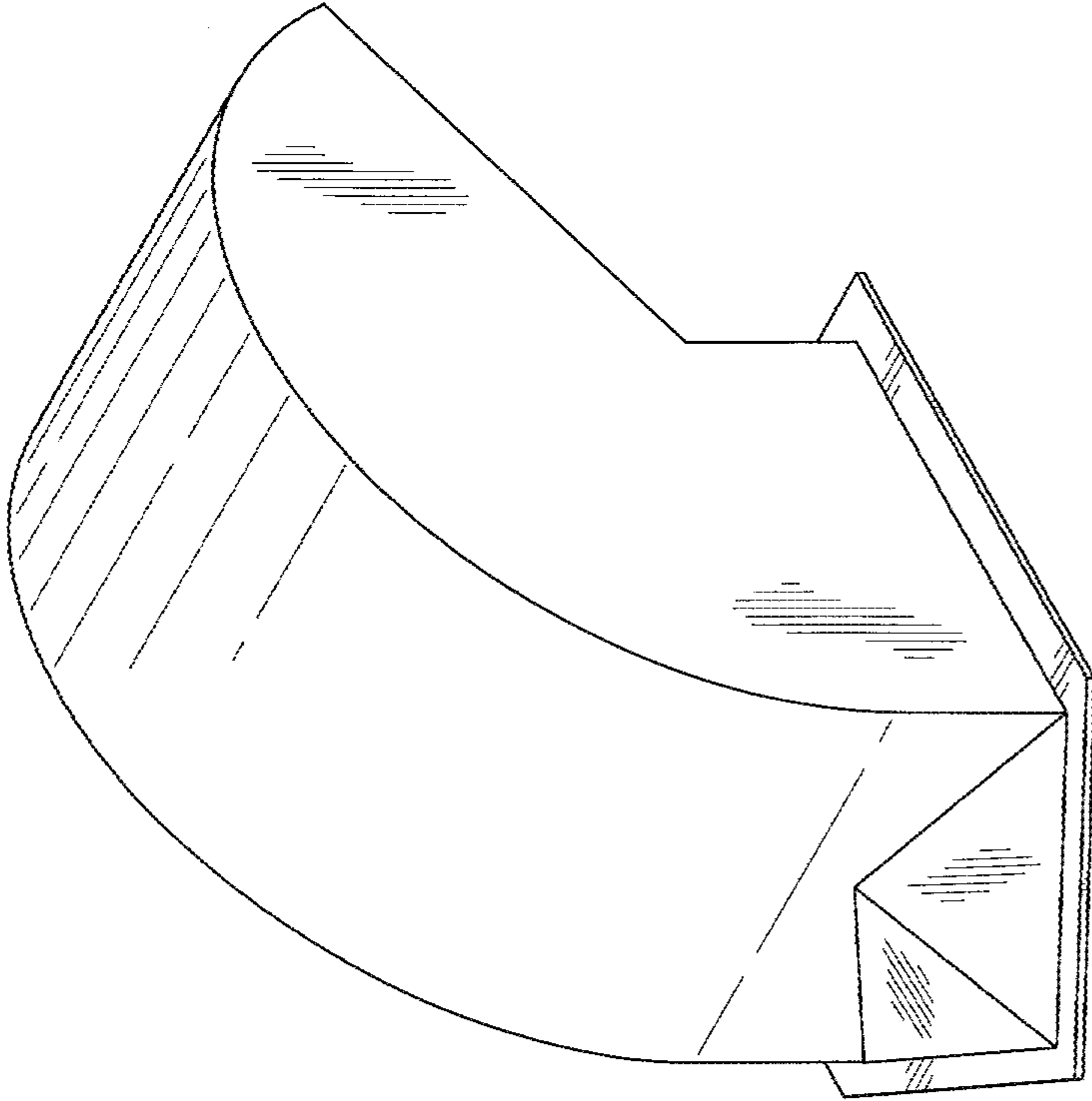


FIG. 1

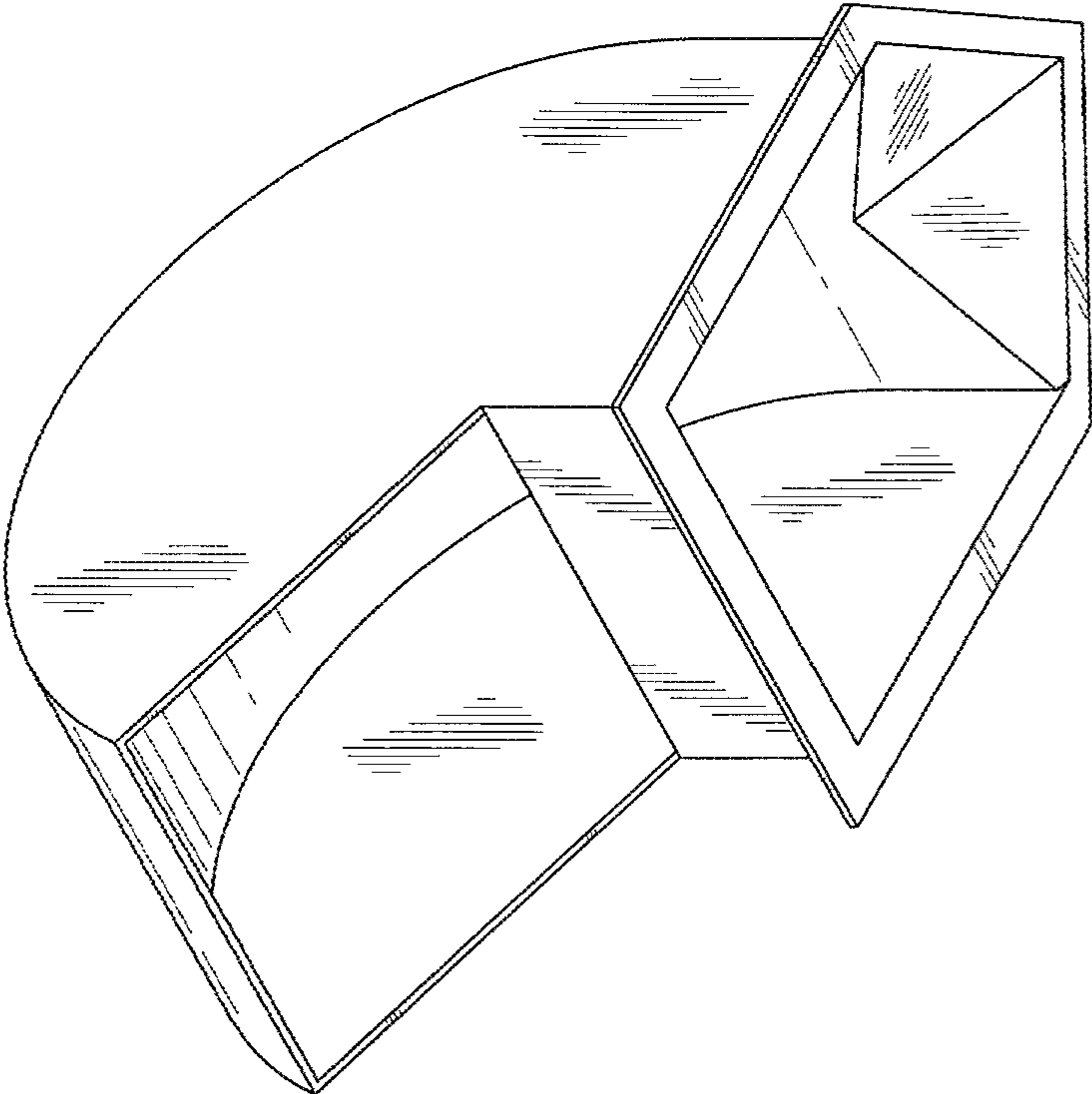


FIG. 2

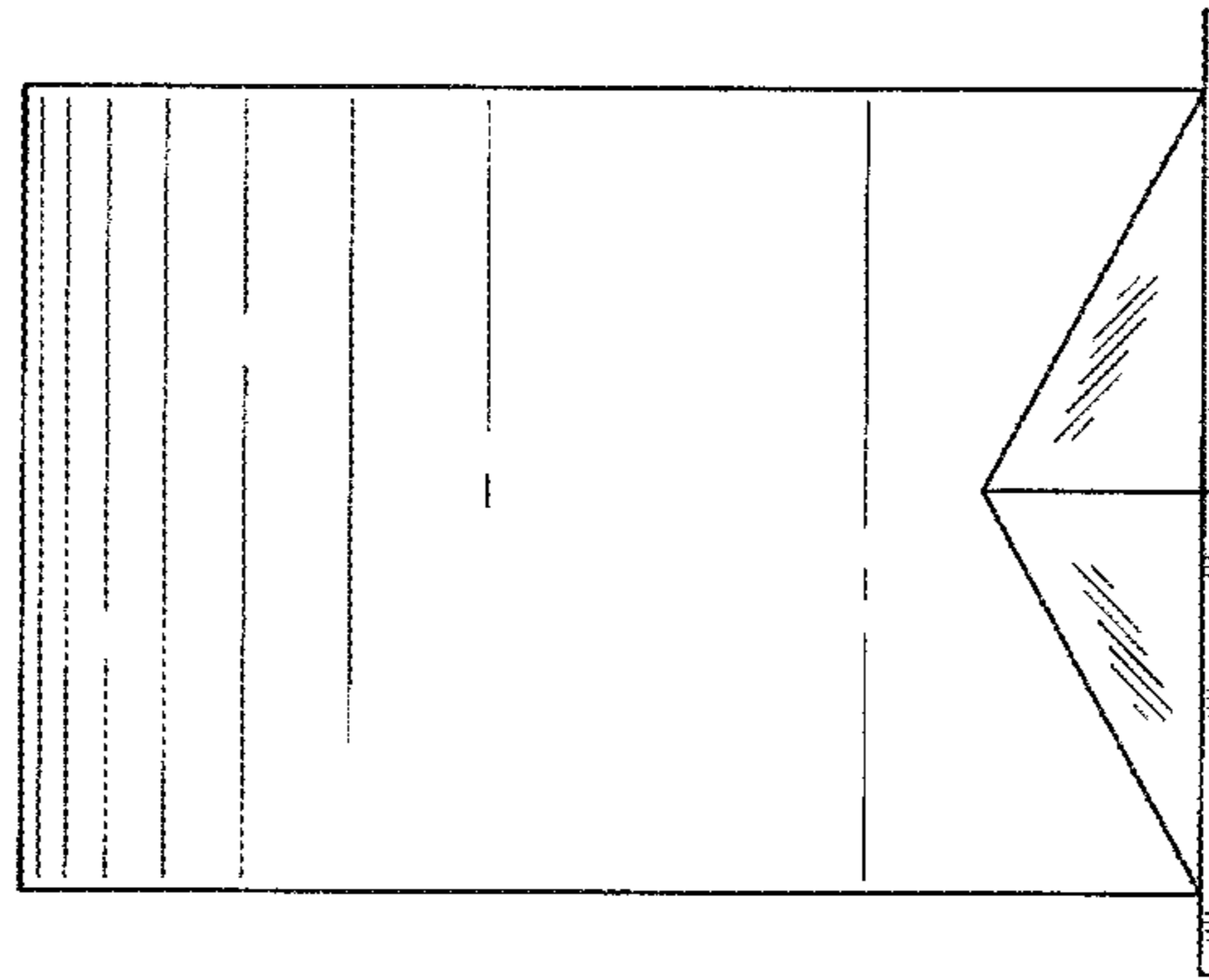


FIG. 3

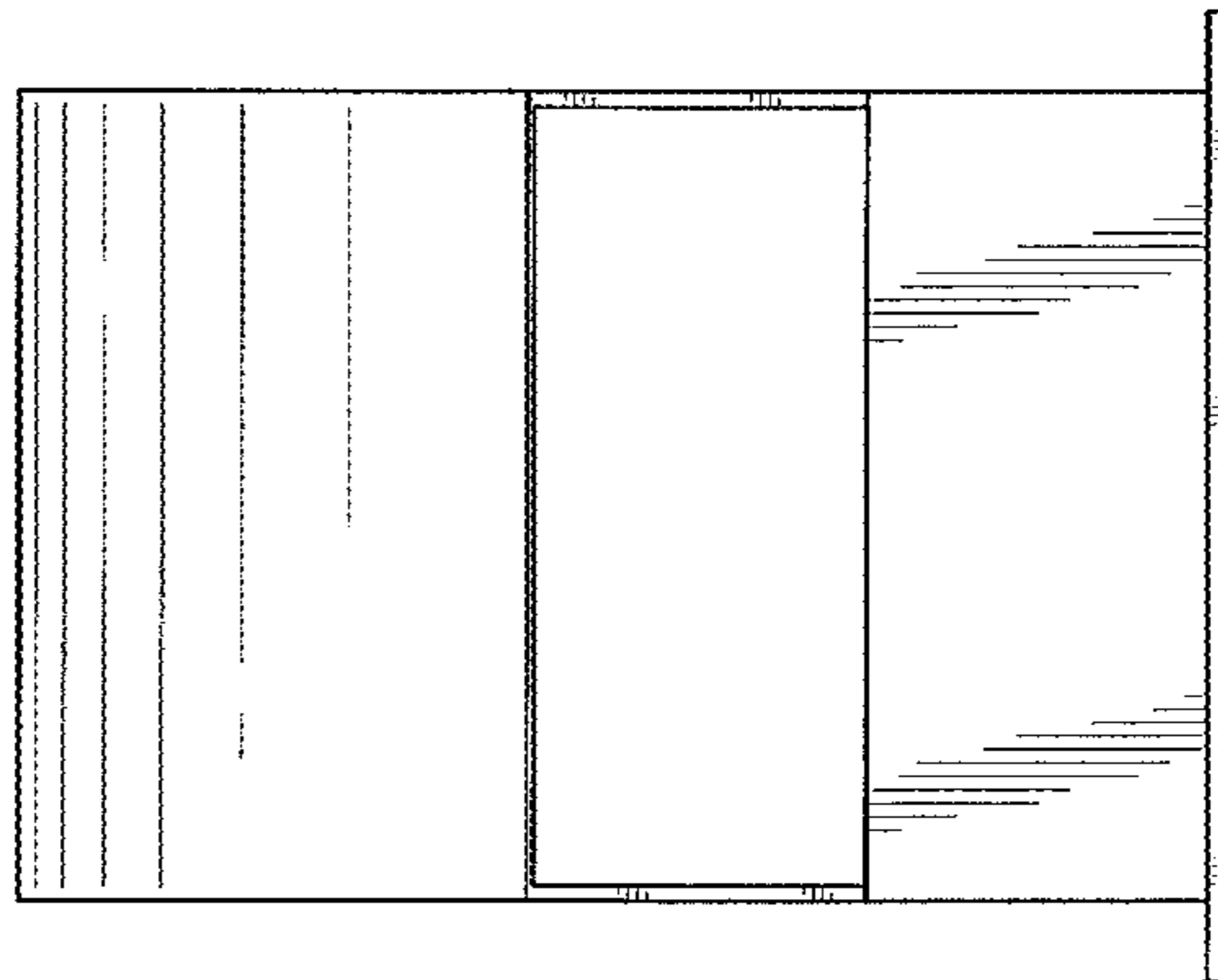


FIG. 4

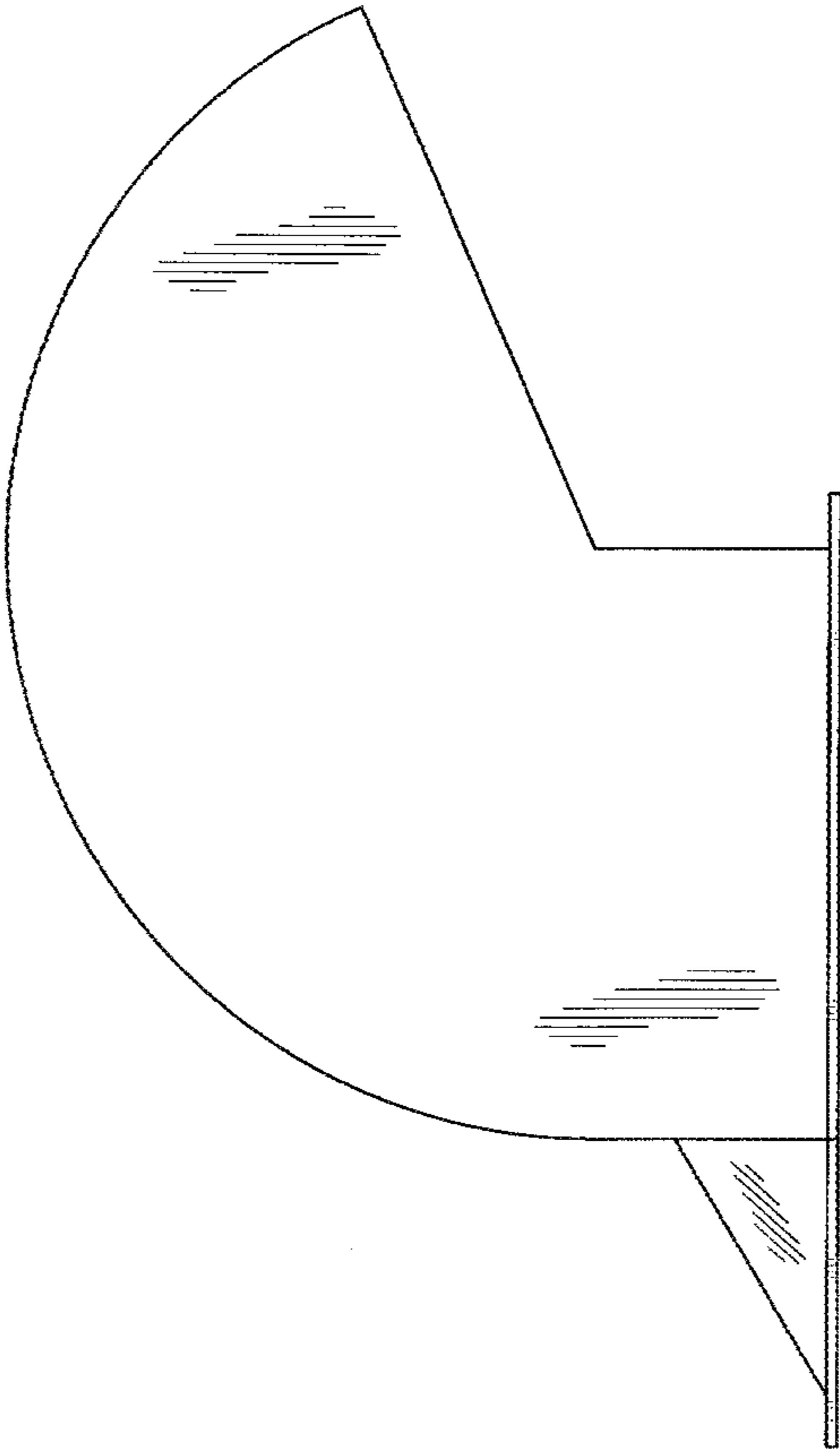


FIG. 5

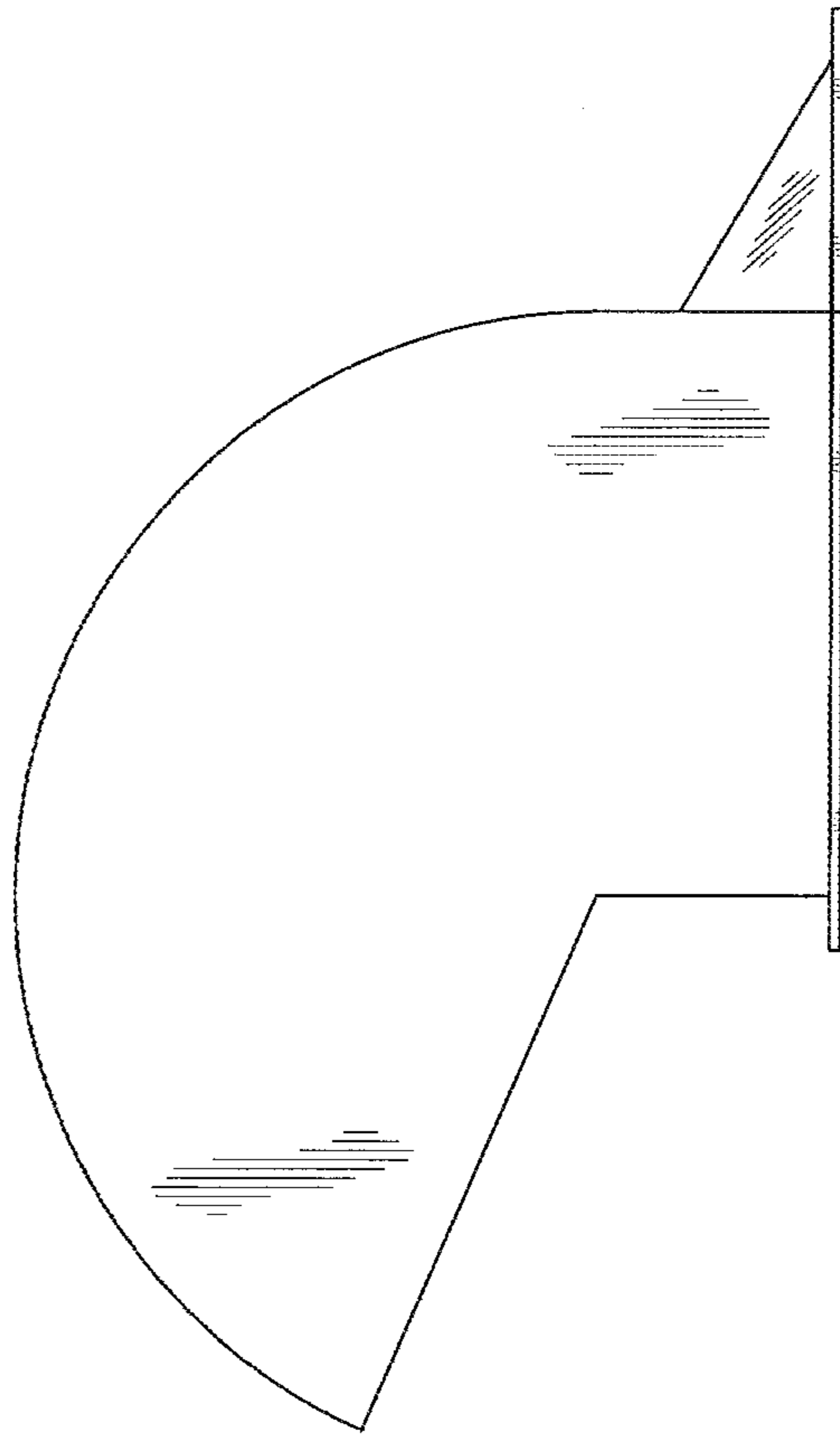


FIG. 6

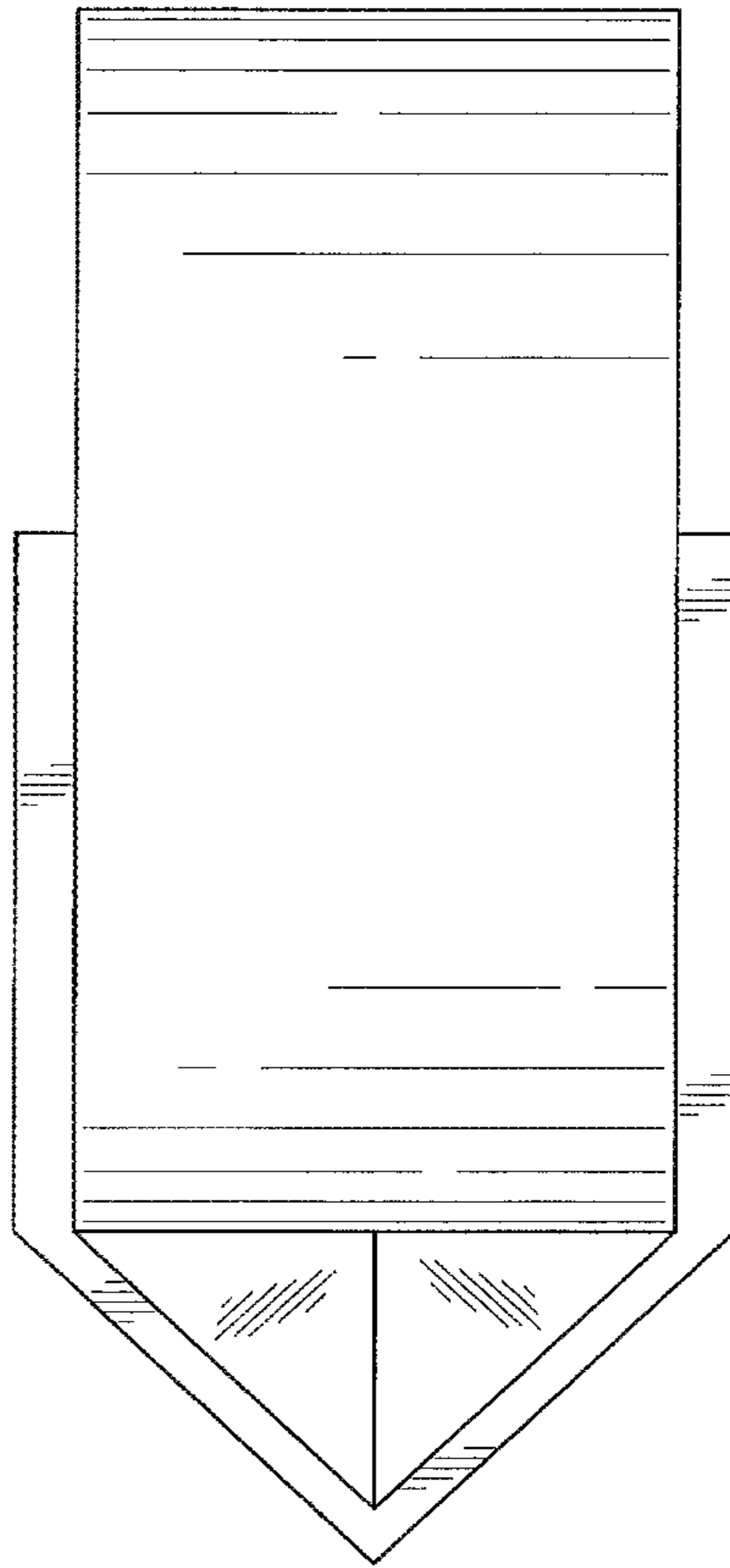


FIG. 7

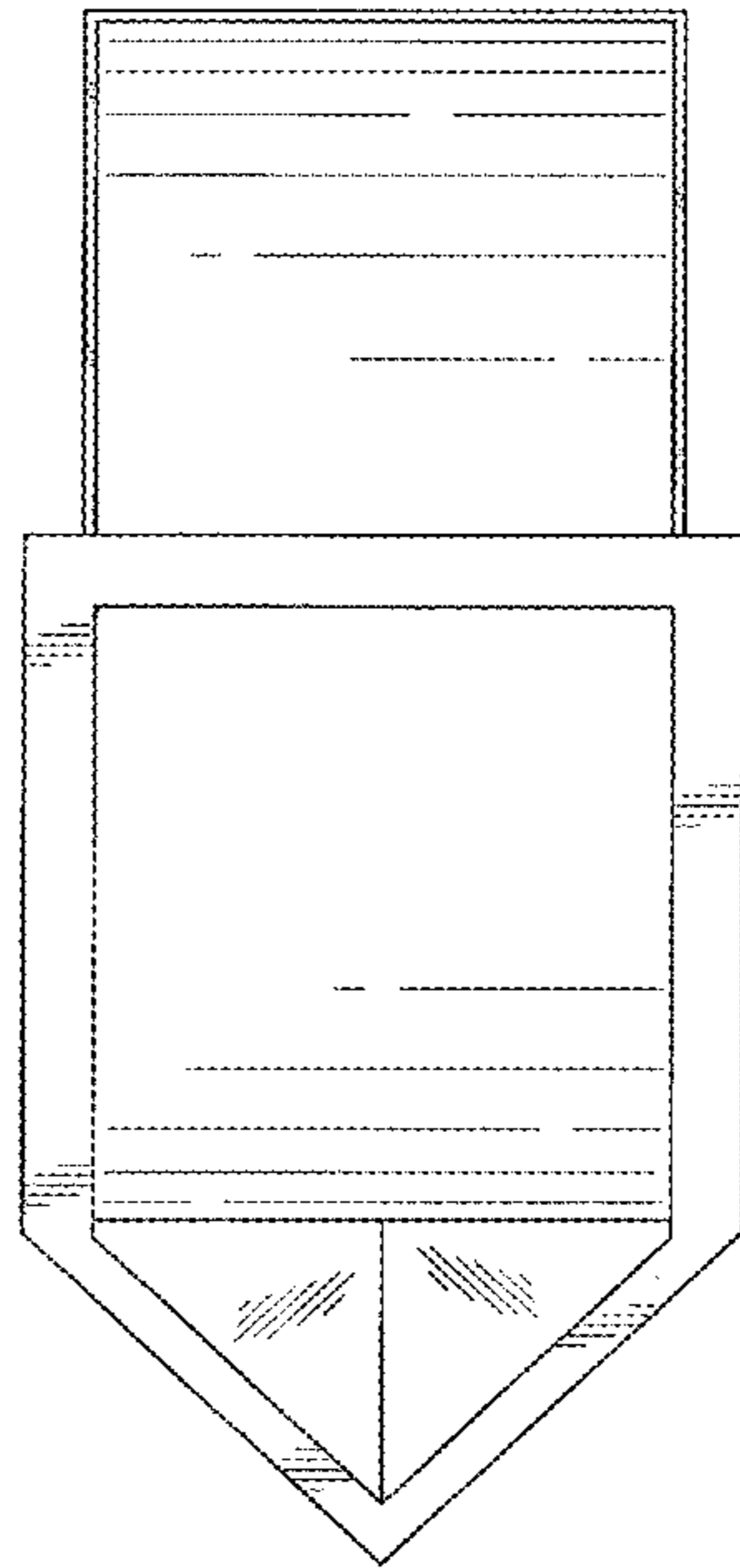


FIG. 8