



US00D788903S

(12) **United States Design Patent** (10) **Patent No.:** **US D788,903 S**
Kern (45) **Date of Patent:** **** Jun. 6, 2017**

(54) **DEFROST NOZZLE**

(56)

References Cited

(71) Applicant: **AURORA Konrad G. Schulz GmbH & Co. KG**, Madau (DE)

U.S. PATENT DOCUMENTS

(72) Inventor: **Ralf Kern**, Wallduern (DE)

2,154,731 A * 4/1939 Crowley B60S 1/54
239/284.1

(73) Assignee: **AURORA Konrad G. Schulz GmbH & Co. KG**, Mudau (DE)

2,560,467 A * 7/1951 Moore F24F 1/04
454/204

(**) Term: **14 Years**

2,908,347 A * 10/1959 Roos B01D 46/00
55/497

(21) Appl. No.: **29/513,022**

3,045,580 A * 7/1962 Johnson F24F 13/075
454/313

(22) Filed: **Dec. 24, 2014**

3,252,398 A * 5/1966 First F24F 13/075
454/317

(30) **Foreign Application Priority Data**

3,354,809 A * 11/1967 Orr F24F 11/04
454/202

Jul. 27, 2014 (DE) 40 2014 100 554

3,572,233 A * 3/1971 Bar et al. B60S 1/54
454/154

(51) **LOC (10) Cl.** **23-04**

3,683,787 A * 8/1972 Cary F24F 13/06
454/317

(52) **U.S. Cl.** **D23/388**

3,703,141 A * 11/1972 Pernoud B60H 1/345
239/519

(58) **Field of Classification Search**

USPC D17/20, 22, 23; D11/143, 144;
D13/182; D23/323, 328, 333, 335, 336,
D23/337, 341, 352, 357, 370, 385, 386,
D23/392, 397, 399, 400, 406, 411, 413,
D23/499, 388, 412

3,777,650 A * 12/1973 Wenig F24F 13/075
454/317

CPC B64C 11/04; B64C 11/16; B64C 11/18;
B64C 11/20; B64C 2001/009; F03D
3/062; F03D 11/04; F04D 19/002; F04D
25/068; F04D 25/088; F04D 19/00; F04D
17/16; F04D 25/14; F04D 25/0606; F04D
29/626; F24F 1/0018; F24F 7/007; F24F
13/10; F24F 13/32; F24F 1/027; B64D
13/02; E04C 2/427; E06B 3/5892; B24B
37/04; B01D 46/00; F24H 3/04; B65D
7/00; B65D 67/02; F16M 1/00; F25D
23/10

4,018,159 A * 4/1977 Bennett F24F 13/15
415/125

See application file for complete search history.

4,591,153 A * 5/1986 Krey B60H 1/0065
180/90

D285,480 S * 9/1986 Schulz D23/392

4,646,625 A * 3/1987 Schroeder B60H 1/34
292/289

D290,745 S * 7/1987 Whitley, II D12/317

4,864,919 A * 9/1989 Schulz F24F 13/072
454/127

4,876,951 A * 10/1989 Vork F24F 13/1426
454/322

4,892,288 A * 1/1990 Norbury, Jr. B60H 1/3435
251/306

D307,632 S * 5/1990 Schulz D23/392

D315,790 S * 3/1991 Koessler D23/388

D321,934 S * 11/1991 Logue D23/388

D325,250 S * 4/1992 Kloster D23/326

D325,433 S * 4/1992 Siebert D23/382

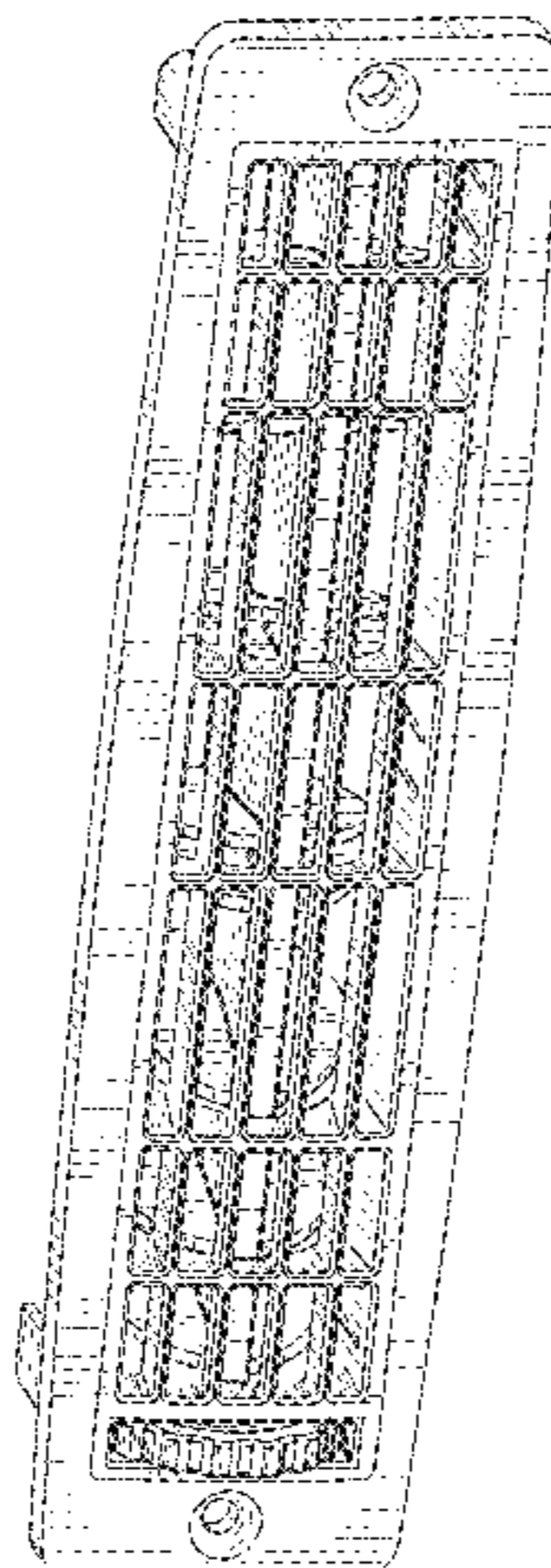
5,162,018 A * 11/1992 Horton B60H 1/3407
251/100

D334,977 S * 4/1993 Avari D23/387

5,232,403 A * 8/1993 Marotta F24F 13/081
454/289

5,312,298 A * 5/1994 Myers F24F 13/15
454/290

D351,903 S * 10/1994 Whitley, II D12/317



US D788,903 S

Page 2

D358,205 S * 5/1995 Ruhland D23/393
D362,059 S * 9/1995 Wojcik D23/388
5,569,077 A * 10/1996 Lam B60H 1/3435
454/289
D393,708 S * 4/1998 Assadi D23/388
5,820,457 A * 10/1998 Kern B60H 1/3428
454/315
D413,665 S * 9/1999 Hudson D23/370
D417,267 S * 11/1999 Sacco D12/192
D425,481 S * 5/2000 Cutler D10/105
D425,974 S * 5/2000 Esty D23/354
D428,135 S * 7/2000 Potchen D23/418
D450,518 S * 11/2001 Frederick D6/630
D451,187 S * 11/2001 Webb D23/393
6,322,442 B1 * 11/2001 Cordell F24F 13/06
454/290
D453,375 S * 2/2002 Peng D23/370
6,447,388 B1 * 9/2002 de Barros B60H 1/3428
454/155
D468,008 S * 12/2002 Fraser D23/390
D468,417 S * 1/2003 Wolf D23/392
6,503,140 B1 * 1/2003 Haynes F24F 13/075
454/290
D475,131 S * 5/2003 Pilger D23/393
6,705,833 B2 * 3/2004 Tam F04D 25/14
29/888.024
D490,509 S * 5/2004 Negrao D23/354
D497,066 S * 10/2004 Pfeiffer D6/356
D506,003 S * 6/2005 Murphy D23/392
D511,377 S * 11/2005 Erwan D23/393
6,974,377 B2 * 12/2005 Gehring B60H 1/3414
454/152
D514,218 S * 1/2006 Kaminsky D23/393
D518,566 S * 4/2006 Bratton D23/388
D520,134 S * 5/2006 DePiero D23/395
D521,631 S * 5/2006 Habensus D23/388
D537,213 S * 2/2007 Selstad D30/106
D537,935 S * 3/2007 Schluter D23/412
D542,898 S * 5/2007 Juraschek D12/192
D566,261 S * 4/2008 Brown D23/388
D572,358 S * 7/2008 Natrass D23/397
D579,538 S * 10/2008 Brown, Jr. D23/387
D582,593 S * 12/2008 Cheng D26/63
D586,600 S * 2/2009 Norbury, Jr. D23/392
D593,673 S * 6/2009 Kern D23/388
D595,832 S * 7/2009 Asselbergs D23/388
D605,281 S * 12/2009 Kern D23/388
D607,667 S * 1/2010 Cayouette D6/675.1
D612,921 S * 3/2010 Rosenbohm D23/327
D613,393 S * 4/2010 Dorsey D23/397
D616,538 S * 5/2010 Lu D23/418
D622,521 S * 8/2010 Urquiola D6/675.1
D634,419 S * 3/2011 Lambertson D23/393
D654,162 S * 2/2012 Sykes D23/393
8,147,193 B2 * 4/2012 Weaver F04D 25/12
415/213.1
D664,246 S * 7/2012 Irvin D23/356
D678,594 S * 3/2013 McCane D26/118
D696,165 S * 12/2013 Campbell D12/163
8,651,924 B1 * 2/2014 Jones B64D 13/02
244/118.5
D717,595 S * 11/2014 Knoll D7/402
D718,086 S * 11/2014 Lewis D7/391
D719,253 S * 12/2014 Francescon D23/388
D723,434 S * 3/2015 McNeil D12/167
D733,274 S * 6/2015 An D23/351
D735,931 S * 8/2015 Lehman D26/121
D736,357 S * 8/2015 Melo D23/262
D736,366 S * 8/2015 Picco D23/386
D742,496 S * 11/2015 Carter D23/365

D743,017 S * 11/2015 Klochkov D23/366
D746,424 S * 12/2015 Takahashi D13/123
D746,725 S * 1/2016 Stopka D12/163
D754,315 S * 4/2016 Morin D23/365
D754,830 S * 4/2016 Huang D23/351
D755,349 S * 5/2016 Murphey D23/237
D755,364 S * 5/2016 Vogtner D23/388
2002/0157415 A1 * 10/2002 Liu F24F 1/027
62/298
2003/0217834 A1 * 11/2003 Campbell F24F 1/027
165/47
2005/0056037 A1 * 3/2005 Park F24F 1/0011
62/262
2005/0056039 A1 * 3/2005 Kim F24F 1/0011
62/262
2006/0199525 A1 * 9/2006 Marcoux F24F 13/1426
454/277
2007/0202794 A1 * 8/2007 Antill F24F 13/075
454/153
2008/0220711 A1 * 9/2008 Banschbach B60H 1/34
454/155
2008/0318512 A1 * 12/2008 Kern B60H 1/00685
454/317
2014/0116414 A1 * 5/2014 Sinur F24C 15/2042
126/299 D

OTHER PUBLICATIONS

Rectangular Vents, image post date Apr. 10, 2012, site visited May 28, 2016, (online), <<http://www.thhs.co.uk/products/general-parts/air-vents-louvers/retangular-vents/>>.*

Air vent—EP 1226991 A1—from google patents, image post date Jul. 31, 2002, site visited May 28, 2016, (online), <<http://www.google.ms/patents/EP1226991A1?cl=en>>.*

Indoor Trickle Vent, image post date 2008, site visited May 28, 2016, (online), <<http://www.smartclima.com/category/air-terminal-device/page/4>>.*

* cited by examiner

Primary Examiner — Kevin Rudzinski

Assistant Examiner — Sean D Lough

(74) *Attorney, Agent, or Firm* — Johnson, Marcou & Isaacs, LLC; Jennifer S. Stachniak

(57) CLAIM

The ornamental design for a defrost nozzle, as shown and described.

DESCRIPTION

FIG. 1 is a front view of my defrost nozzle;
FIG. 2 is an end view of my defrost nozzle;
FIG. 3 is a top view of my defrost nozzle;
FIG. 4 is another end view of my defrost nozzle;
FIG. 5 is a rear view of my defrost nozzle;
FIG. 6 is a bottom view of my defrost nozzle; and,
FIG. 7 is a perspective view of my defrost nozzle.
The broken lines (where present) in all figures illustrate portions of the defrost nozzle that represent environment and form no part of the claimed design.

1 Claim, 7 Drawing Sheets

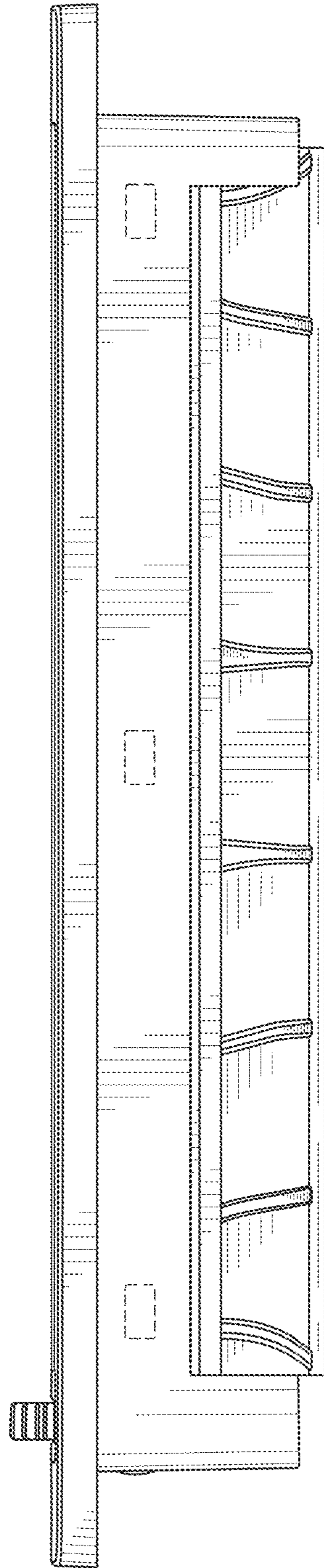


FIG. 1

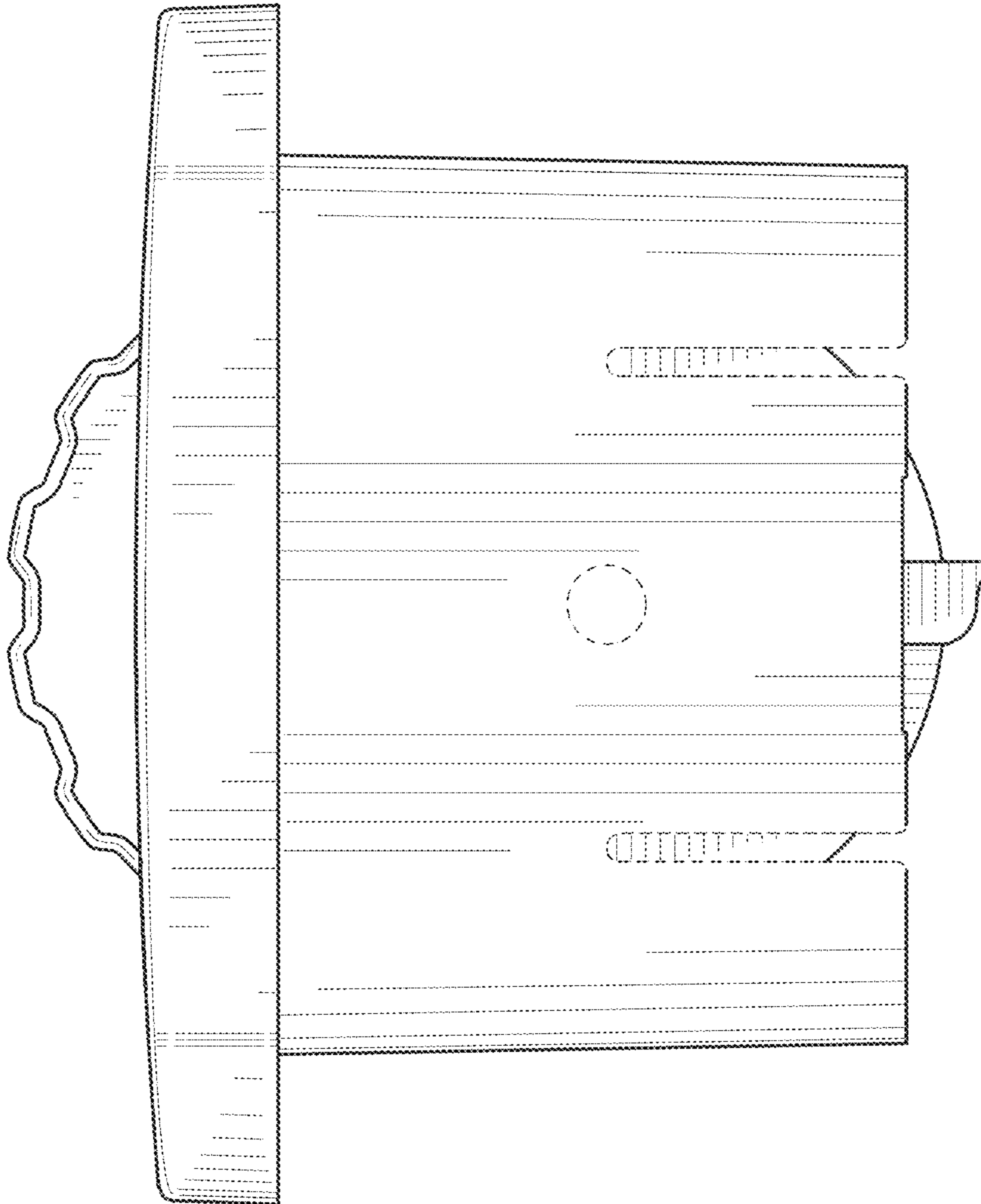


FIG. 2

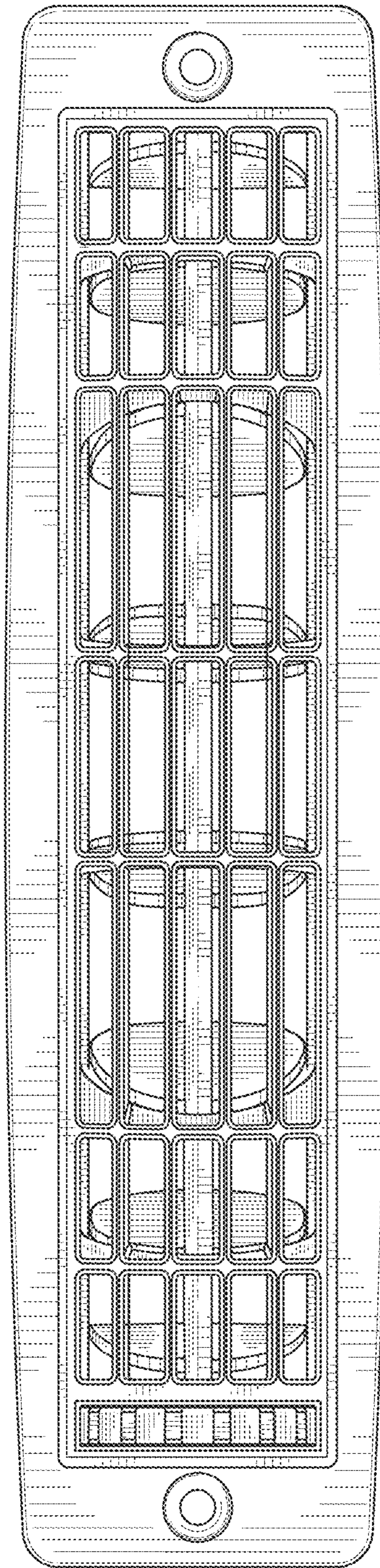


FIG. 3

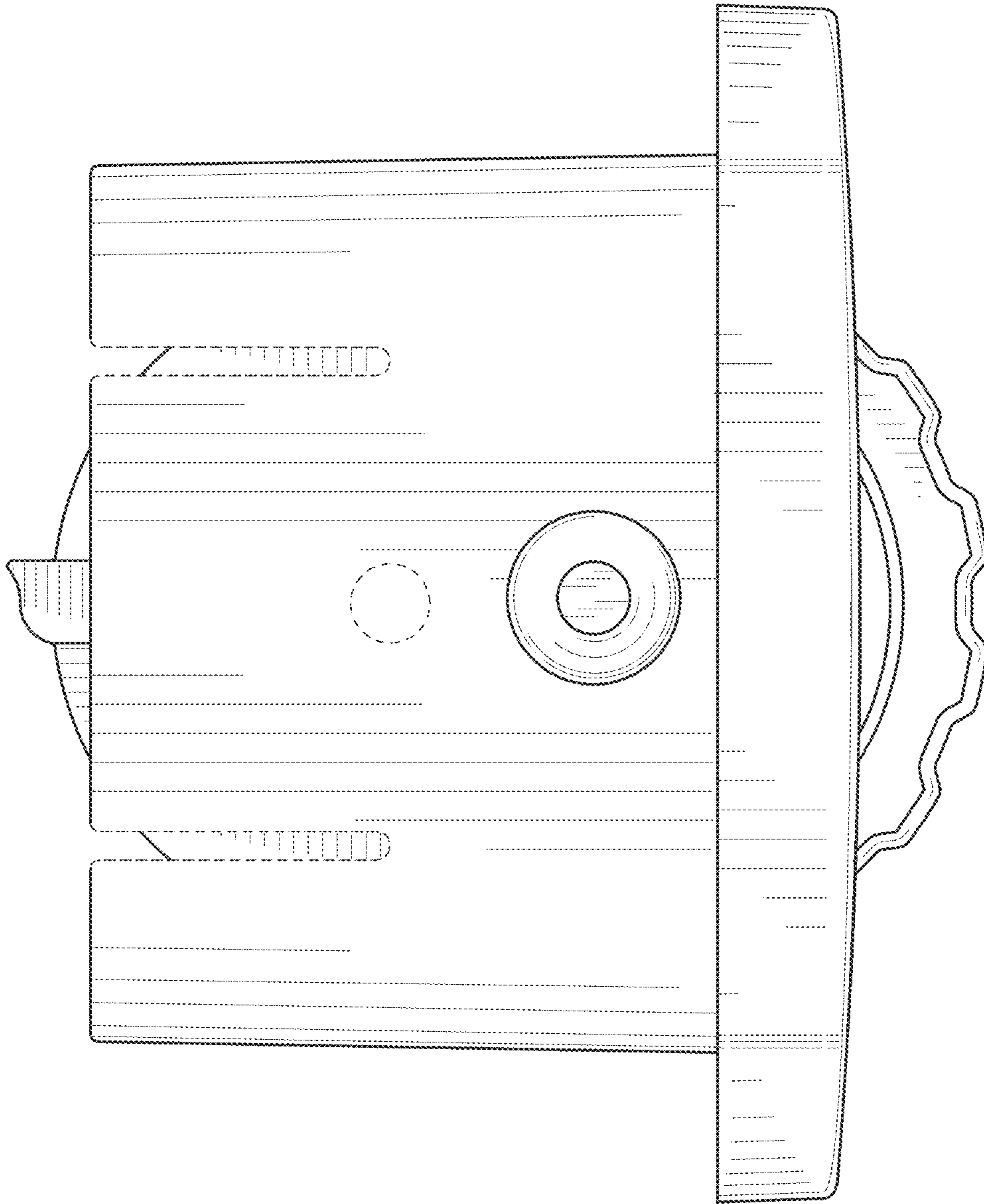


FIG. 4

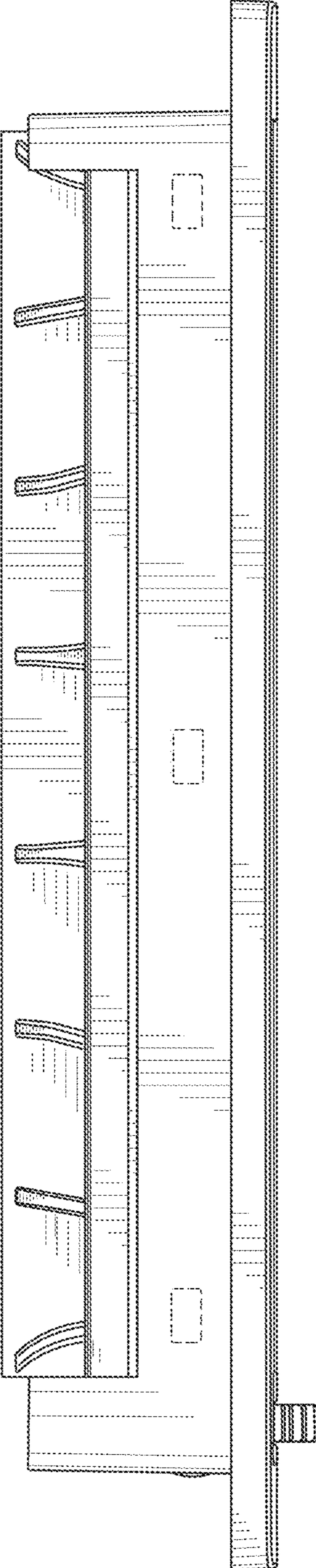


FIG. 5

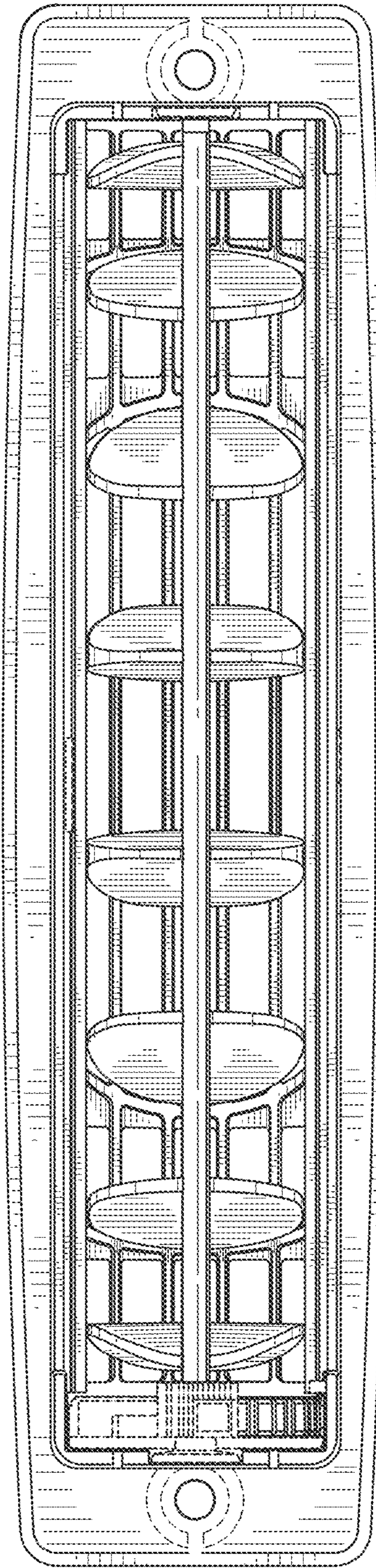


FIG. 6

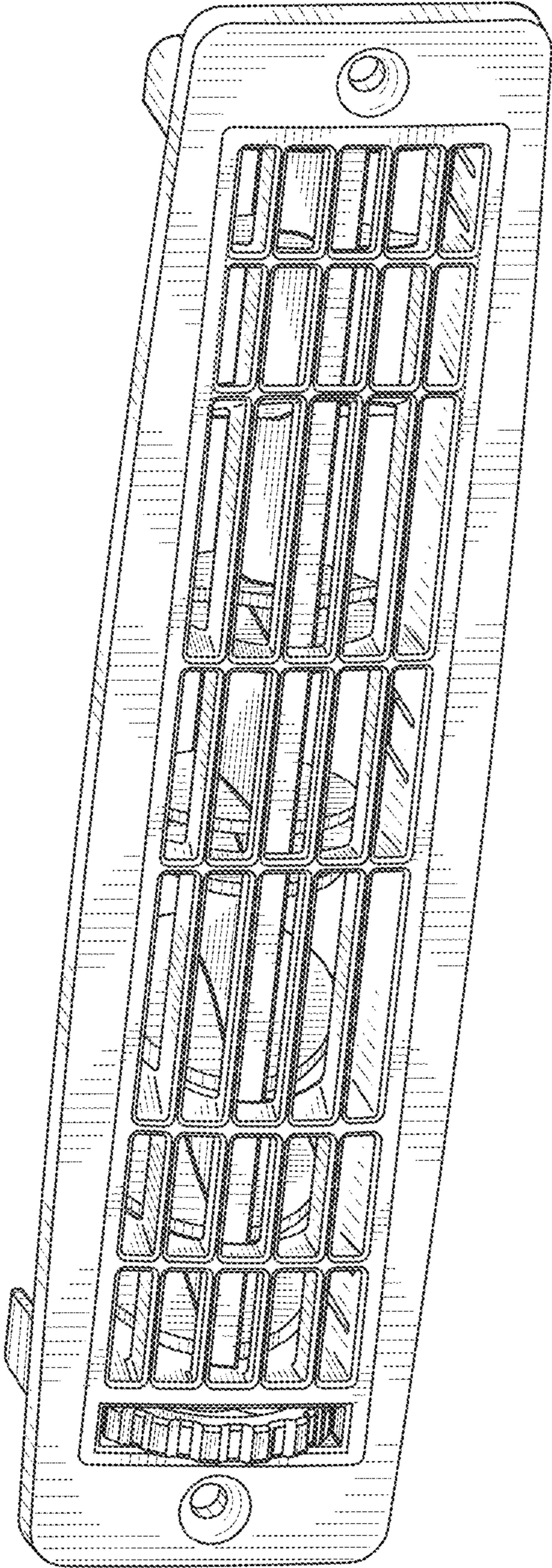


FIG. 7