

US00D788901S

(12) **United States Design Patent** (10) **Patent No.:** **US D788,901 S**  
**Warberg Block** (45) **Date of Patent:** **\*\* Jun. 6, 2017**

(54) **SCENT DISPENSER**  
(71) Applicant: **Earth-Kind, Inc.**, Bismarck, ND (US)  
(72) Inventor: **Kari G. Warberg Block**, Bismarck, ND (US)  
(73) Assignee: **Earth-Kind, Inc.**, Bismarck, ND (US)  
(\*\*) Term: **15 Years**

5,087,273 A 2/1992 Ward  
D344,582 S 2/1994 Williams  
D346,856 S 5/1994 Kany  
D365,390 S 12/1995 King  
D375,898 S \* 11/1996 Bolton ..... D9/415  
D379,853 S 6/1997 Long  
D380,821 S 7/1997 Chen  
D422,350 S 4/2000 Wu  
D439,513 S \* 3/2001 Teasdale ..... D9/415  
D441,645 S \* 5/2001 Longhurst ..... D9/415  
(Continued)

(21) Appl. No.: **29/553,116**

(22) Filed: **Jan. 28, 2016**

(51) **LOC (10) Cl.** ..... **28-99**

(52) **U.S. Cl.**  
USPC ..... **D23/368**

(58) **Field of Classification Search**  
USPC ..... D23/355-369, 388; 261/DIG. 88,  
261/DIG. 17, DIG. 42, DIG. 65; D32/60;  
D19/932, 933; D9/705, 722, 741, 418,  
D9/430, 346  
CPC ..... A61L 9/00; A61L 9/02; A61L 9/22; A61L  
9/03; A61L 9/032; A61L 9/035; A61L  
9/037; A61L 9/04; A61L 9/12; A61L  
9/127

See application file for complete search history.

(56) **References Cited**

U.S. PATENT DOCUMENTS

D49,741 S 10/1916 Husemann  
2,111,025 A \* 3/1938 Galler ..... A01M 1/2044  
206/0.5  
D136,129 S \* 8/1943 Irwin ..... 428/28  
D161,351 S \* 12/1950 Levine ..... D23/368  
2,738,224 A 3/1956 Turner  
D197,147 S \* 12/1963 Shapiro ..... D9/418  
D198,786 S 8/1964 Friedman  
3,784,102 A 1/1974 Stults  
D244,200 S 5/1977 Ramos  
4,197,271 A 4/1980 Fenstermaker  
4,258,004 A 3/1981 Valenzona

OTHER PUBLICATIONS

<http://www.cedaramerica.com/Cedar-Hang-Ups-set-of-8.html>;  
Cedar Hang Ups from Cedar America; Received and Printed on  
Nov. 21, 2013.

(Continued)

*Primary Examiner* — Sheryl Lane  
*Assistant Examiner* — Samantha Wood  
(74) *Attorney, Agent, or Firm* — Neustel Law Offices

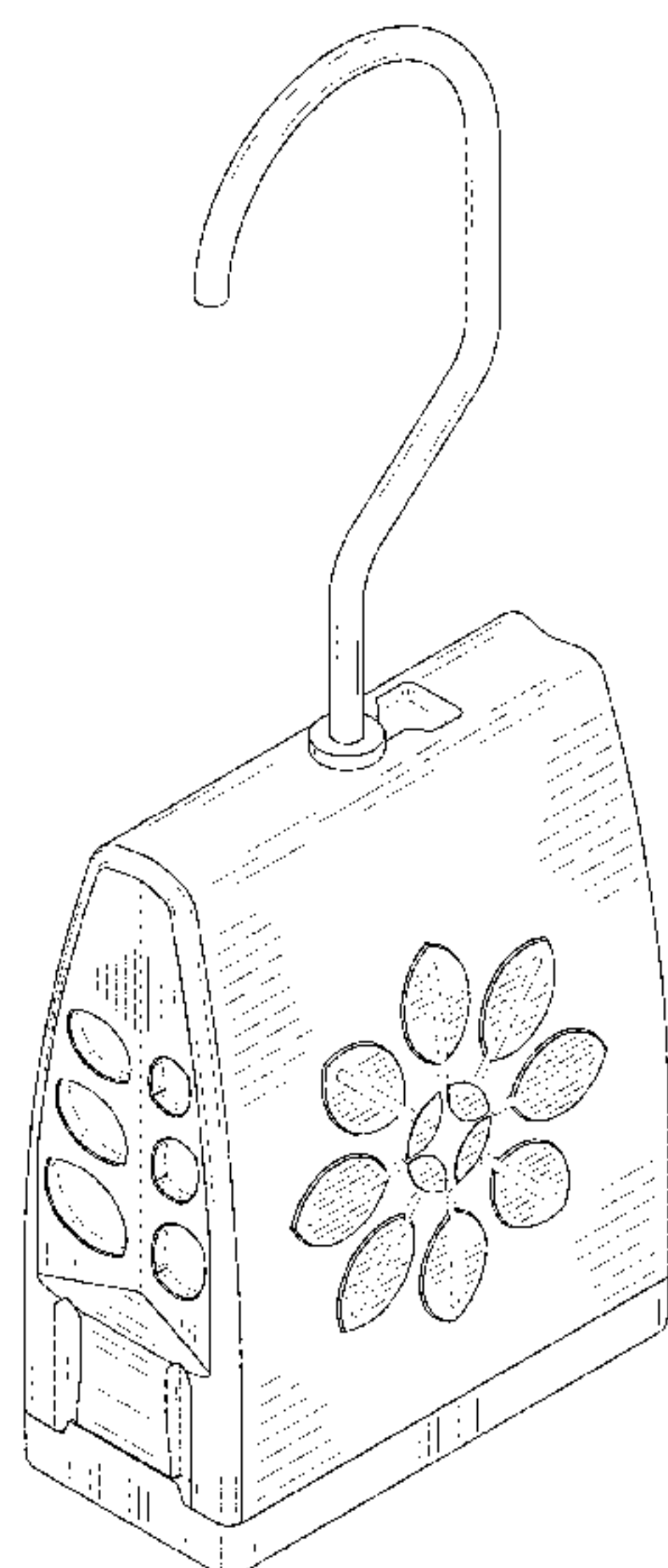
(57) **CLAIM**

The ornamental design for a scent dispenser, as shown and described.

**DESCRIPTION**

FIG. 1 is a perspective view of a scent dispenser showing my new design;  
FIG. 2 is an exploded perspective view thereof;  
FIG. 3 is a left side view thereof;  
FIG. 4 is a right side view thereof;  
FIG. 5 is a front view thereof;  
FIG. 6 is a rear view thereof;  
FIG. 7 is an enlarged top view thereof; and,  
FIG. 8 is an enlarged bottom view thereof.  
The broken lines showing portions of the scent dispenser are included for the purpose of illustrating portions of the article and form no part of the claimed design.

**1 Claim, 7 Drawing Sheets**



(56)

References Cited

U.S. PATENT DOCUMENTS

D471,267 S 3/2003 Ahn  
 6,613,287 B1 9/2003 McElligott  
 D505,479 S \* 5/2005 Burgeson ..... D22/125  
 D511,569 S 11/2005 Harbutt  
 6,976,637 B2 12/2005 Massimo  
 D518,162 S 3/2006 Miro  
 D533,230 S 12/2006 Thomas  
 D540,932 S 4/2007 Burgeson  
 D550,829 S \* 9/2007 Buthier ..... D23/367  
 D551,331 S \* 9/2007 Butler ..... D23/366  
 D551,333 S 9/2007 Wu  
 D591,415 S 4/2009 Wu  
 D614,279 S 4/2010 Lesniak  
 D629,880 S 12/2010 Hisey  
 7,926,735 B1 \* 4/2011 Mobley ..... A61L 9/04  
 206/449  
 D641,464 S \* 7/2011 De Haan ..... D23/366  
 D646,562 S \* 10/2011 Liebowitz ..... D9/418  
 D656,354 S 3/2012 Bellman  
 D674,886 S \* 1/2013 Irwin ..... D23/366  
 D679,793 S \* 4/2013 Feiz ..... D23/366  
 D684,248 S \* 6/2013 Gordon ..... D23/366  
 D693,449 S \* 11/2013 Wolf ..... D23/366  
 D700,836 S \* 3/2014 Lai ..... D9/415  
 D705,414 S \* 5/2014 Warberg Block ..... D23/366

D716,646 S \* 11/2014 Ng ..... D9/415  
 D753,993 S \* 4/2016 Simmons ..... D9/430  
 D756,502 S \* 5/2016 Lee ..... D23/388  
 2012/0048964 A1 \* 3/2012 Willert ..... A01M 1/2055  
 239/57  
 2015/0202340 A1 \* 7/2015 Warberg Block ..... A61L 9/12  
 239/34

OTHER PUBLICATIONS

[www.febreze.com/en-US/products/Set-and-Refresh/fresh-and-clean-advanced-odor-eliminator](http://www.febreze.com/en-US/products/Set-and-Refresh/fresh-and-clean-advanced-odor-eliminator); Set & Refresh with Advanced Odor Eliminator from Febreze; Rcv'd & Printed on Nov. 21, 2013.  
[www.myshaldanairfresheners.com/main/my-shaldan-air-fresheners/my-shaldan/my-shaldan-air-fresheners-lemon.html](http://www.myshaldanairfresheners.com/main/my-shaldan-air-fresheners/my-shaldan/my-shaldan-air-fresheners-lemon.html); My Shaldan Air Freshner; Higante Works Ltd.; Rcv'd Nov. 21, 2013.  
<http://www.munchkin.com/arm-hammer-nursery-fresheners>; Arm & Hammer Nursery Fresheners by Munchkin; Received & Printed on Nov. 21, 2013.  
<http://www.glwholesale.com/p/3328280004>; Closet Deodorizer Swan Shape Potpourri/Lemon from Great Lakes Wholesale; Received & Printed on Nov. 21, 2013.  
[www.made-in-china.com/showroom/chinaairfreshener/product-detailoMiQdlGAqaRr/China-Closet-Air-Freshener.html](http://www.made-in-china.com/showroom/chinaairfreshener/product-detailoMiQdlGAqaRr/China-Closet-Air-Freshener.html); Closet Air Freshener by Hangzhou YF Daily Chemical; Rcvd Nov. 21, 2013.

\* cited by examiner

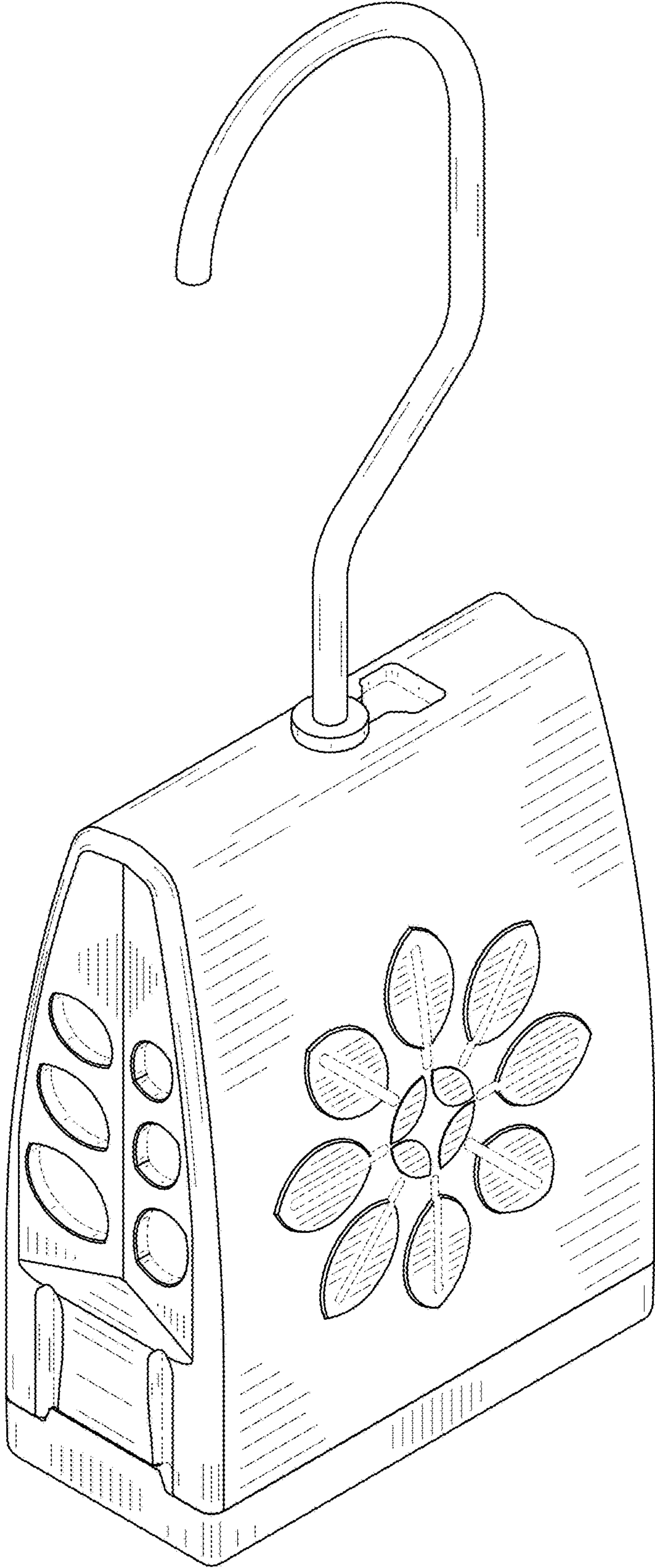


FIG. 1



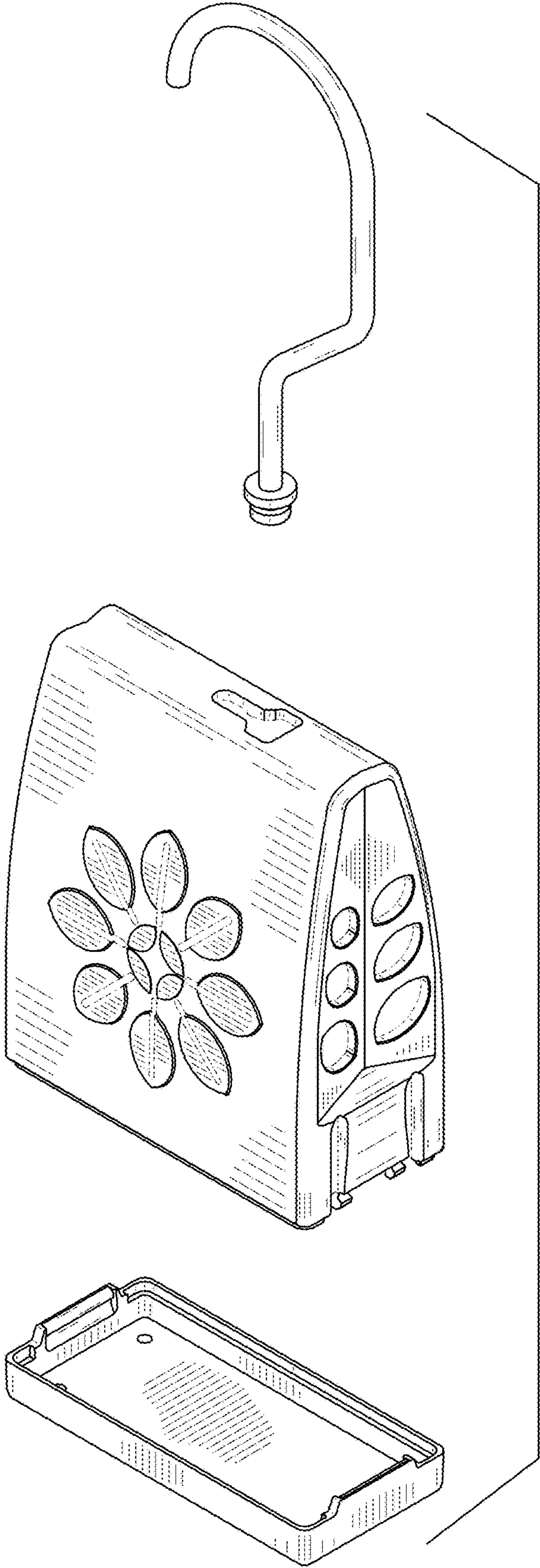


FIG. 2

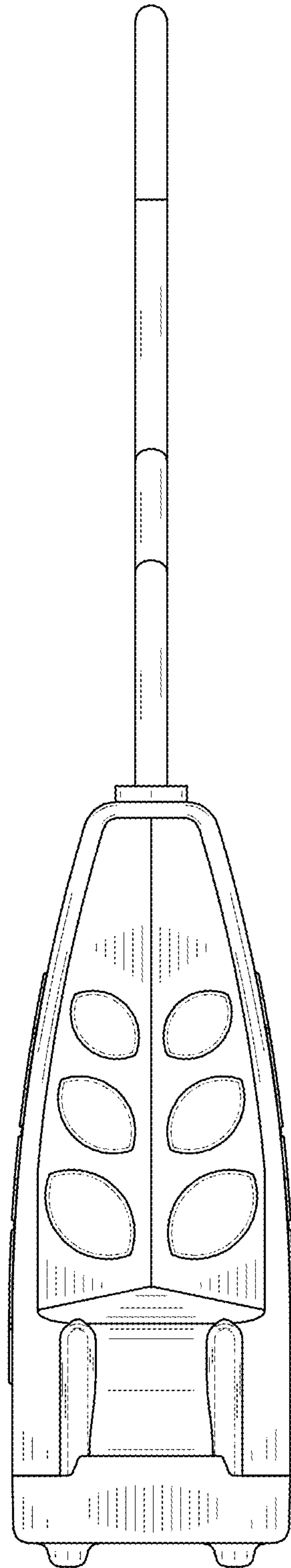


FIG. 3

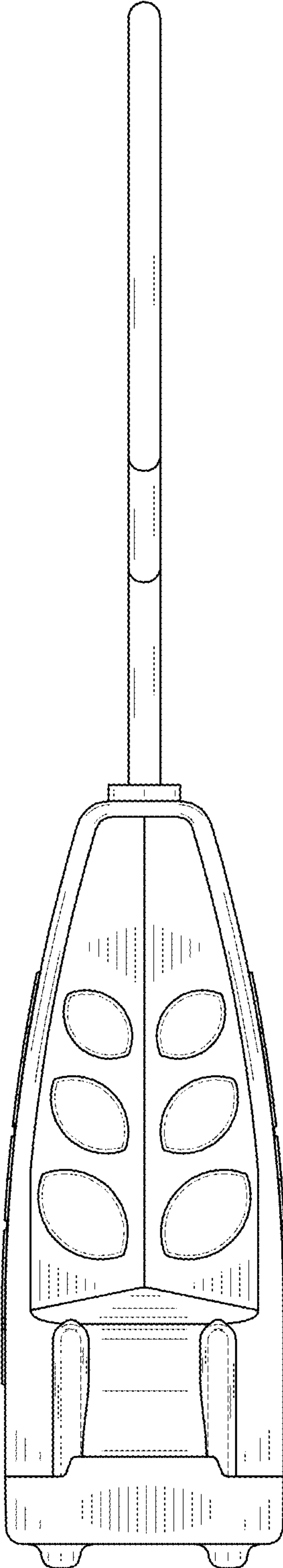


FIG. 4

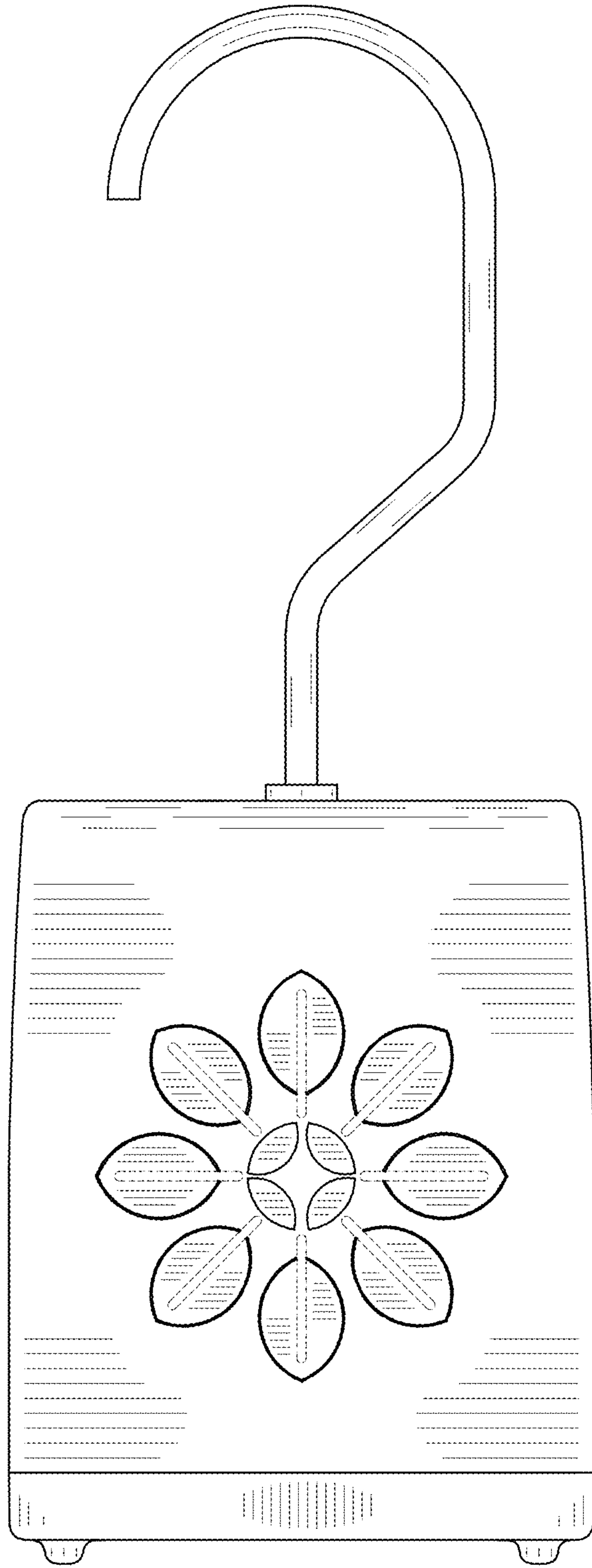


FIG. 5

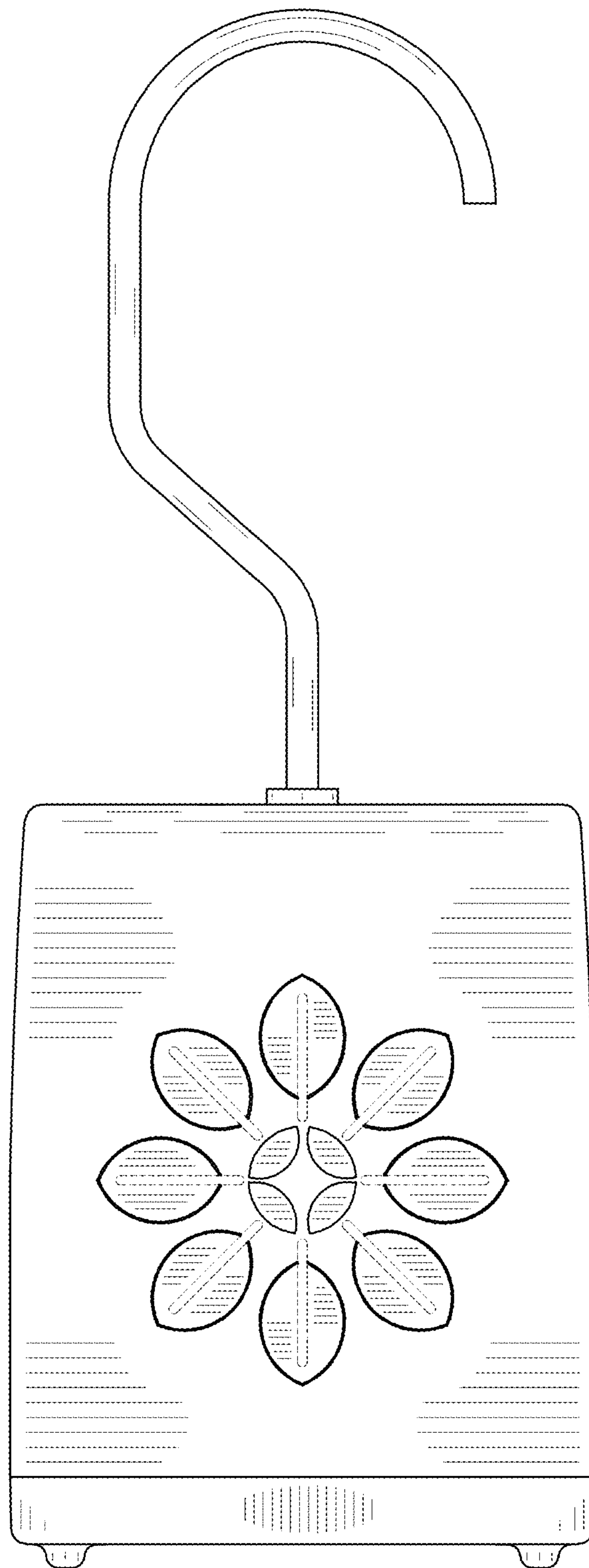


FIG. 6



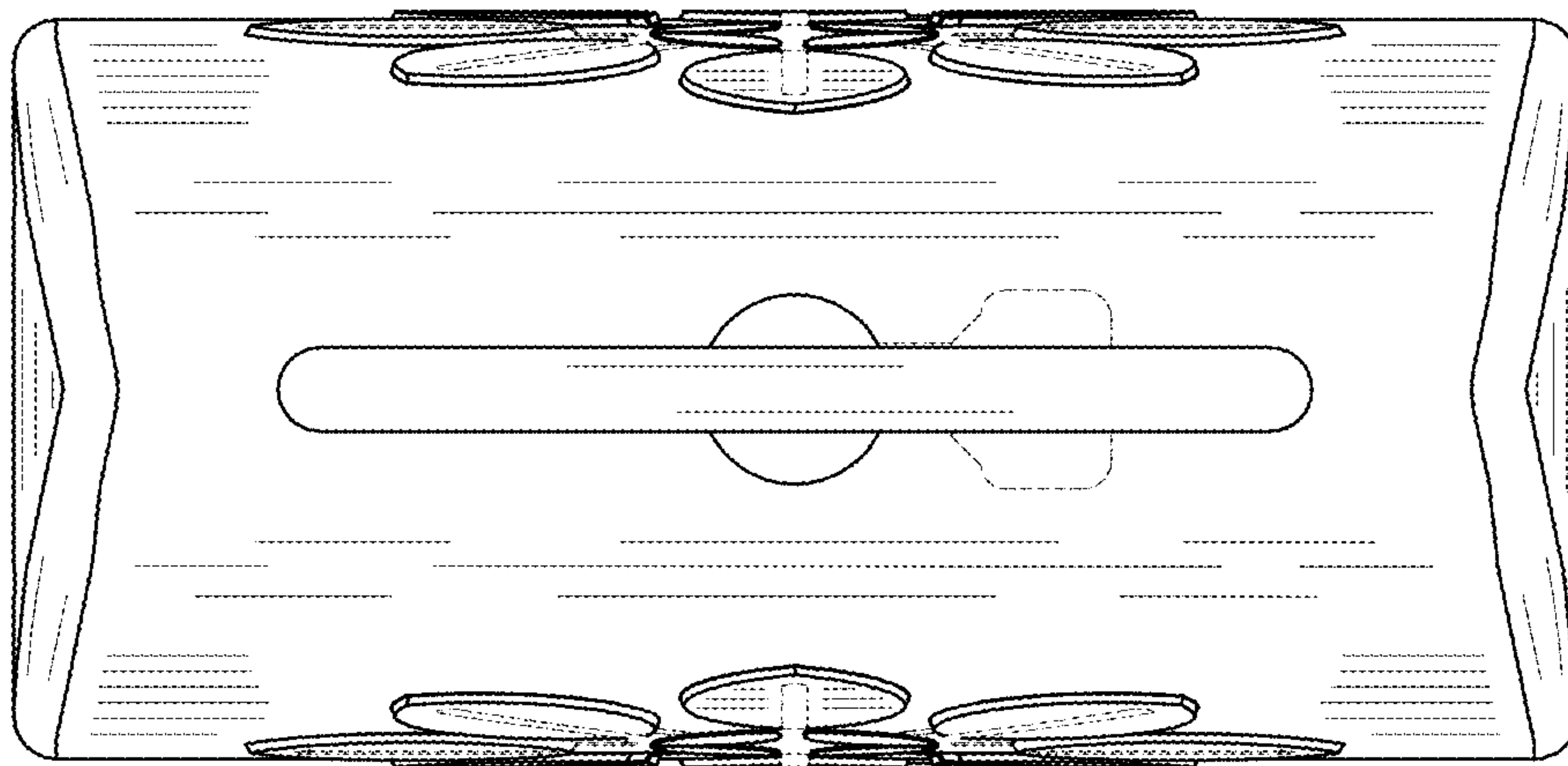


FIG. 7

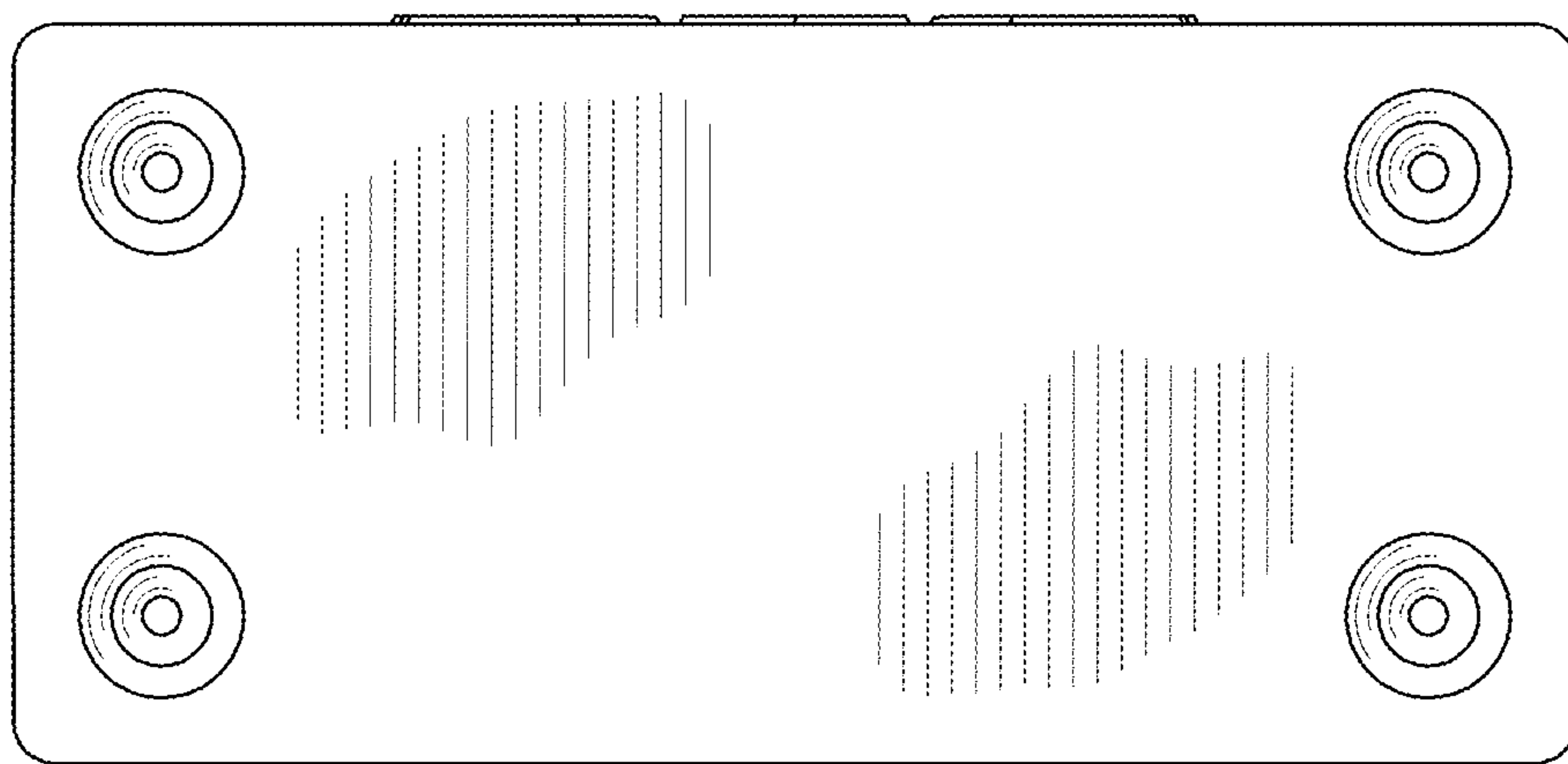


FIG. 8