



US00D788900S

(12) **United States Design Patent**  
**Hendifar**

(10) **Patent No.:** **US D788,900 S**  
(45) **Date of Patent:** **\*\* Jun. 6, 2017**

(54) **CENSER**  
(71) Applicant: **APPARATUS**, New York, NY (US)  
(72) Inventor: **Gabriel Hendifar**, New York, NY (US)  
(73) Assignee: **APPARATUS LLC**, New York, NY (US)  
(\*\*) Term: **15 Years**

D556,942 S \* 12/2007 Opolka ..... D26/111  
D562,699 S \* 2/2008 Green ..... D9/504  
D596,985 S \* 7/2009 Machado ..... D11/160  
D615,639 S \* 5/2010 Ouyang ..... D23/332  
8,020,785 B2 \* 9/2011 Chao ..... A61Q 15/00  
239/53  
D650,280 S \* 12/2011 de Peyerimhoff ..... D9/454  
D667,064 S \* 9/2012 Guyer ..... D21/700  
D670,424 S \* 11/2012 Lee ..... D26/93  
D673,723 S \* 1/2013 Cartwright ..... D26/142  
D676,950 S \* 2/2013 Angulo ..... D23/366

(Continued)

(21) Appl. No.: **29/541,483**  
(22) Filed: **Oct. 5, 2015**  
(51) **LOC (10) Cl.** ..... **28-99**  
(52) **U.S. Cl.**  
USPC ..... **D23/366**  
(58) **Field of Classification Search**  
USPC ..... D23/314, 355-369, 332, 411; D26/9, 22,  
D26/24, 10, 93, 104, 105, 106, 110, 112,  
D26/118, 128, 142; D28/5, 6, 83;  
D11/160; D24/104; D9/504, 454;  
D7/608; D6/677; D27/162  
CPC ... A61L 9/02; A61L 9/03; A61L 9/035; A61L  
9/032; A61L 9/037; A61L 9/04; A61L  
9/12; A61L 9/22; A61L 9/00; A61L  
9/127; A24F 25/02; B05B 11/068; C23C  
16/4481; A01M 1/2077  
See application file for complete search history.

**OTHER PUBLICATIONS**

Dezeen, Esrawe and Cadena stack two hemispheres, posted on Oct. 5, 2016, [online], [site visited Dec. 2, 2016]. Available from Internet, <URL: <https://www.dezeen.com/2016/10/05/esrawe-studio-cadena-asociados-xinu-reusable-perfume-bottle-design-week-mexico-2016/>>.\*

(Continued)

*Primary Examiner* — Sheryl Lane  
*Assistant Examiner* — Samantha Wood  
(74) *Attorney, Agent, or Firm* — Gottlieb, Rackman & Reisman, P.C.

(57) **CLAIM**

The ornamental design for a censer, as shown and described.

**DESCRIPTION**

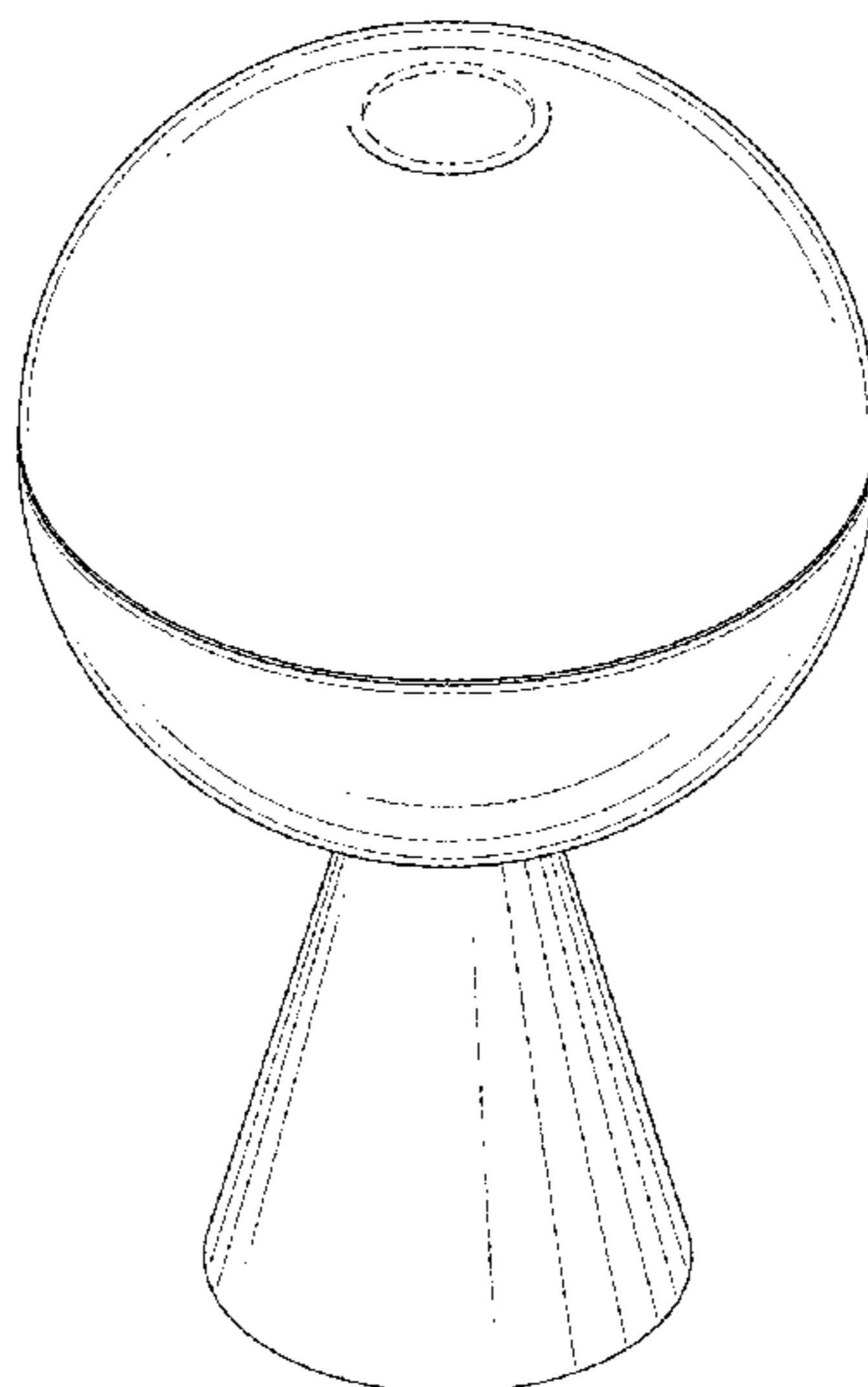
FIG. 1 is a perspective view showing my new design; FIG. 2 is a front elevational view thereof; FIG. 3 is a side elevational view thereof; FIG. 4 is a rear elevational view thereof; FIG. 5 is a top plan view thereof; and, FIG. 6 is a bottom plan view thereof. The broken lines showing of portions of the censer are included for the purpose of illustrating the environmental structure and form no part of the claimed design.

**1 Claim, 6 Drawing Sheets**

(56) **References Cited**

**U.S. PATENT DOCUMENTS**

D158,699 S \* 5/1950 Wasilevich ..... 428/542.4  
2,621,379 A \* 12/1952 Betz ..... A47G 33/00  
422/126  
D175,208 S \* 7/1955 Borowitz ..... D26/110  
D389,947 S \* 1/1998 Hutton ..... D26/110  
D402,392 S \* 12/1998 Huang ..... D26/112  
D430,336 S \* 8/2000 Lee ..... D26/106  
D430,943 S \* 9/2000 Zutler ..... D26/9  
D480,497 S \* 10/2003 Lau Ting Yup ..... D26/104  
D492,403 S \* 6/2004 Iddan ..... D24/104



(56)

References Cited

U.S. PATENT DOCUMENTS

D677,174 S *	3/2013	D'Hollander .....	D9/715
D696,555 S *	12/2013	Kolano .....	D7/590
D698,910 S *	2/2014	Lin .....	D23/366
D720,063 S *	12/2014	Li .....	D23/366
D735,413 S *	7/2015	Smith .....	D28/83
D736,453 S *	8/2015	Motzkin .....	D26/128
D745,738 S *	12/2015	Abdelmaseh .....	D27/162
D752,731 S *	3/2016	Ansley .....	D23/366
D758,557 S *	6/2016	Jih .....	D23/355
D762,913 S *	8/2016	Anderson .....	D26/106
D763,100 S *	8/2016	Antretter .....	D9/519
D767,197 S *	9/2016	Anderson .....	D26/118
D768,495 S *	10/2016	Staab .....	D9/452
D770,860 S *	11/2016	Wampold .....	D7/608
D771,785 S *	11/2016	Huang .....	D23/366
D771,846 S *	11/2016	Davis .....	D26/10
D772,828 S *	11/2016	Kusumoto .....	D14/126
D773,638 S *	12/2016	Wang .....	D23/411

OTHER PUBLICATIONS

Bloglovin', Steal This Look: A Moody Hotel Bedroom, posted on Oct. 25, 2016, [online], [site visited Dec. 2, 2016]. Available from Internet, <URL: <https://www.bloglovin.com/blogs/remodelista-8415/steal-this-look-a-moody-hotel-bedroom-glam-5223008871>>.\*

Etsy, Large Mid Century Designer Table Lamp, no post date, [online], [site visited on Dec. 20, 2016]. Available from Internet, <URL: [https://www.etsy.com/listing/259038547/large-mid-century-designer-chrome-cone?ga\\_order=most\\_relevant&ga\\_search\\_type=all&ga\\_view\\_type=gallery&ga\\_search\\_query=atomic%20cone%20lamp&ref=sr\\_gallery\\_43](https://www.etsy.com/listing/259038547/large-mid-century-designer-chrome-cone?ga_order=most_relevant&ga_search_type=all&ga_view_type=gallery&ga_search_query=atomic%20cone%20lamp&ref=sr_gallery_43)>.\*

Michaelanastasiades, Cone Light, posted 2013, [online], [site visited on Dec. 22, 2016]. Available from Internet, <URL: <http://michaelanastasiades.com/collection/cone-light>>.\*

Michaelanastasiades, Rum Magazine, p. 7, Issue date on Nov. 11, 2013, [online], [site visited on Dec. 22, 2016]. Available from Internet, <URL: <http://michaelanastasiades.com/files/pdfs/203/rum-magazine-november-2013.pdf>>.\*

\* cited by examiner

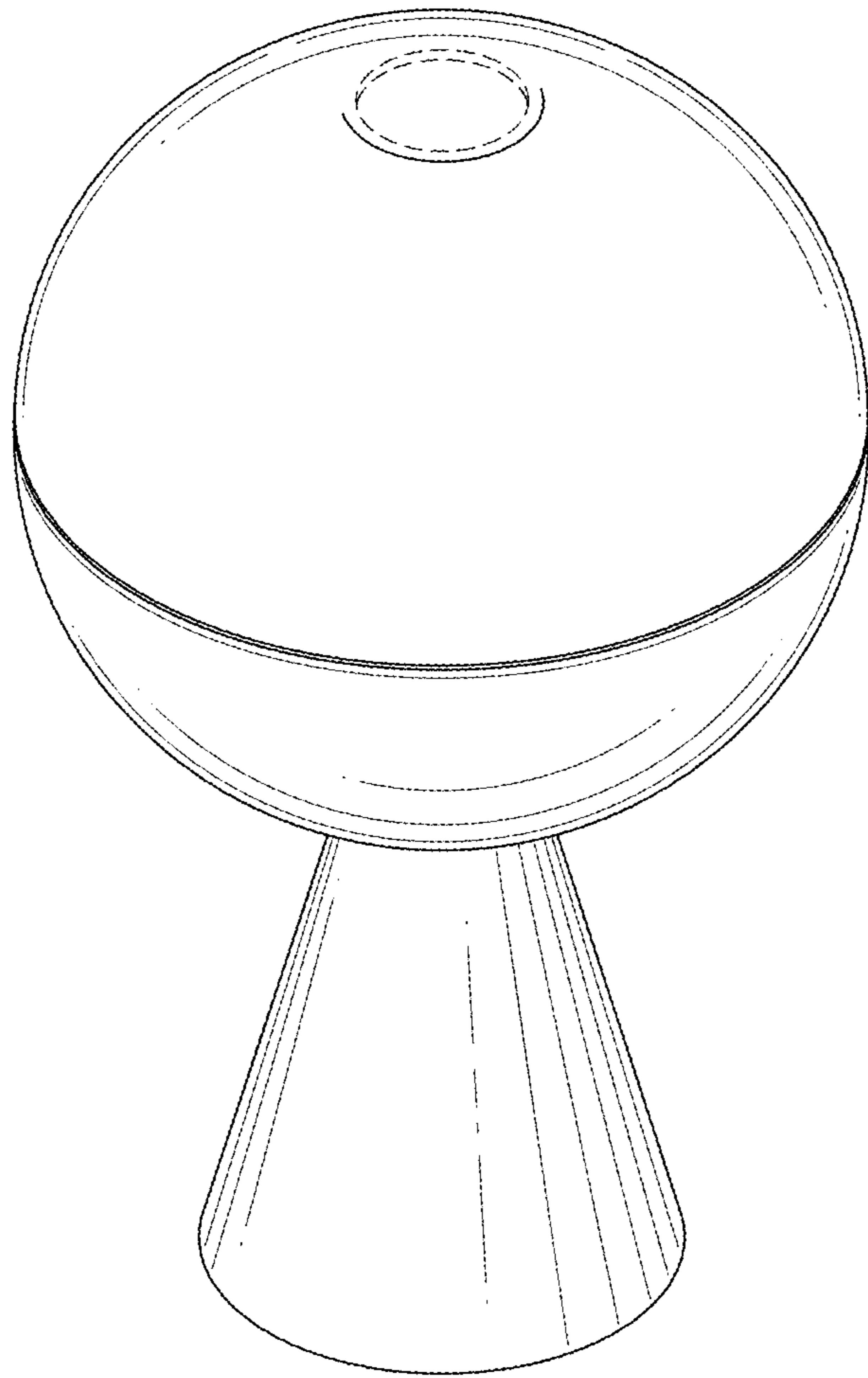


FIG. 1

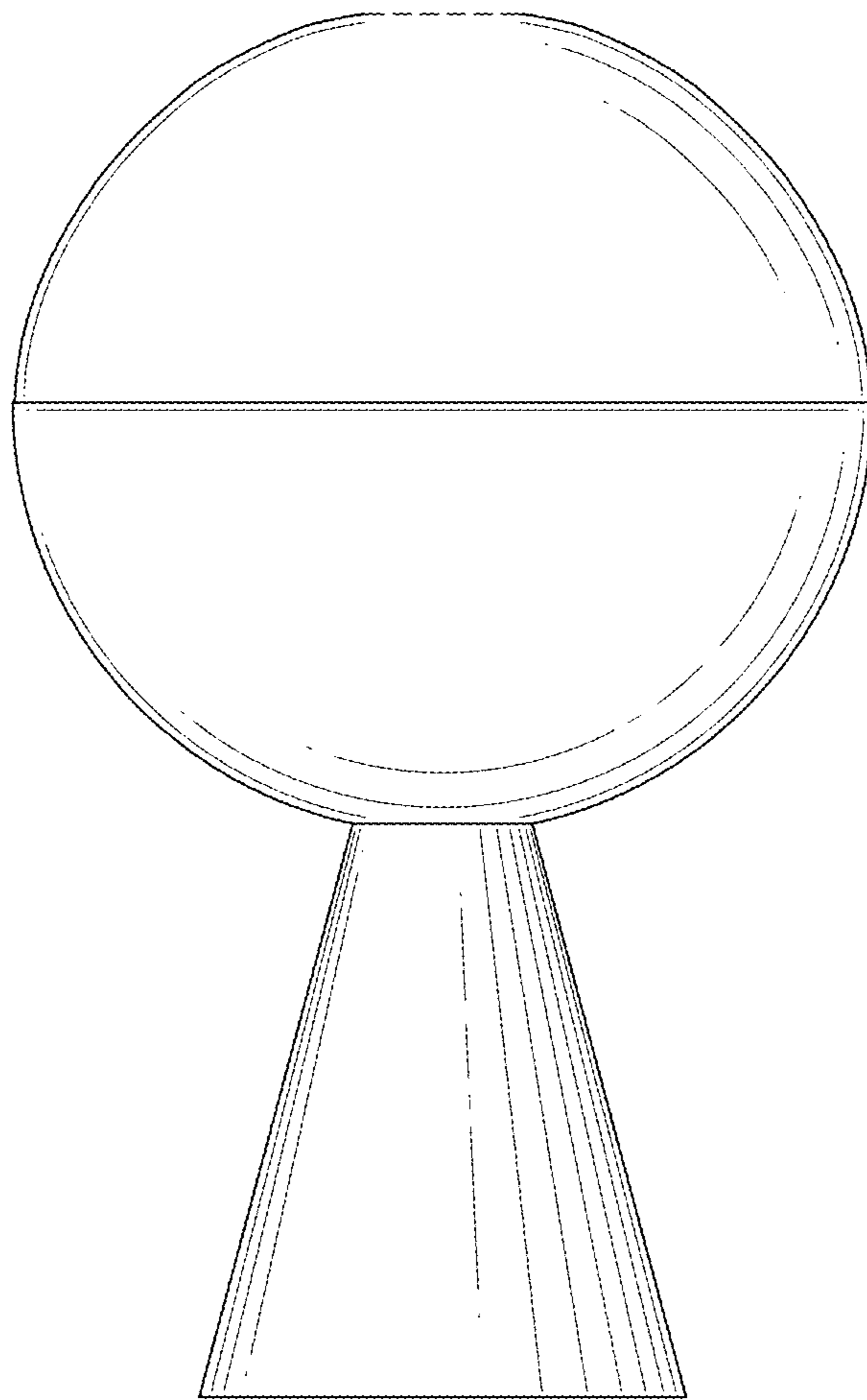


FIG. 2

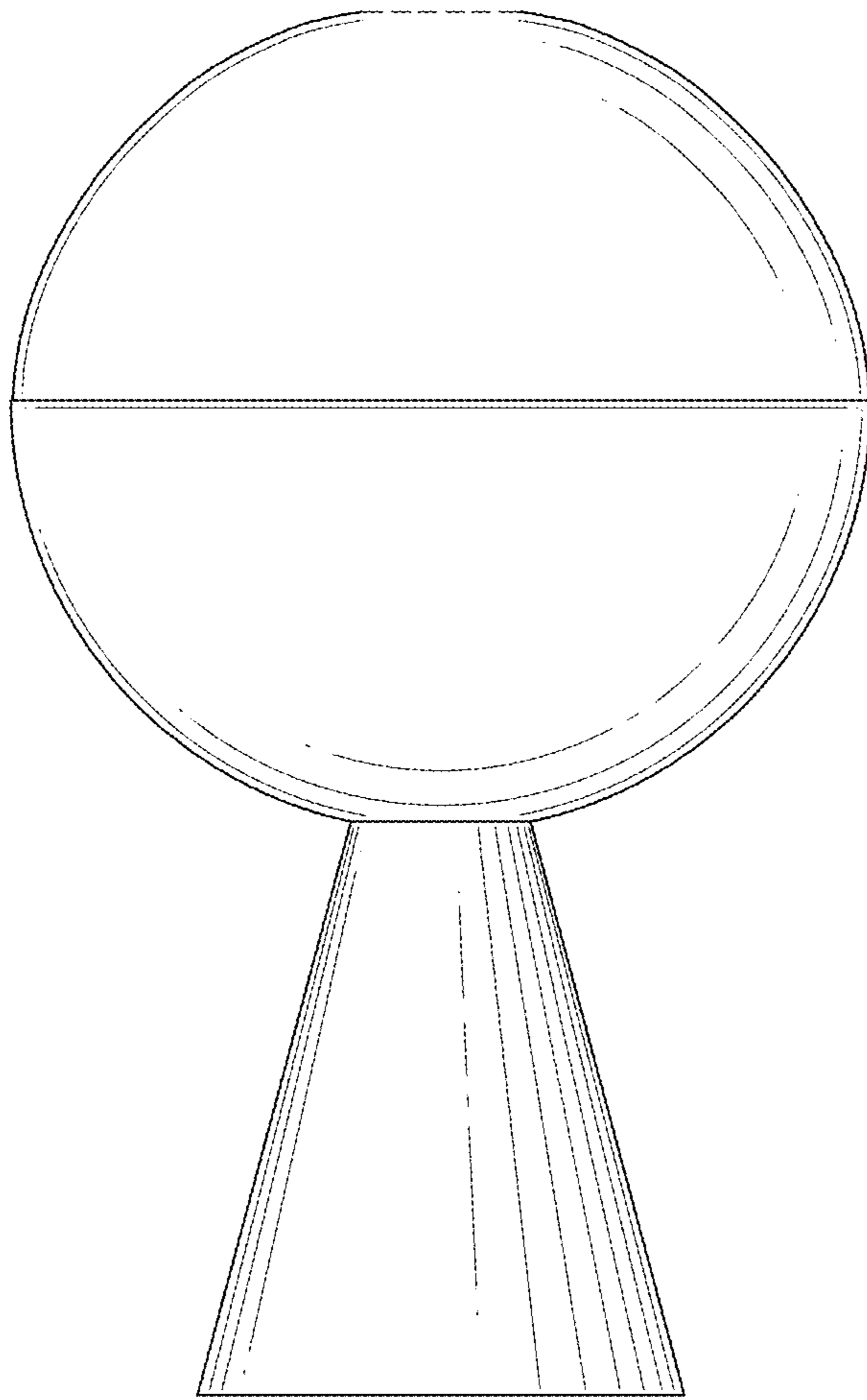


FIG. 3

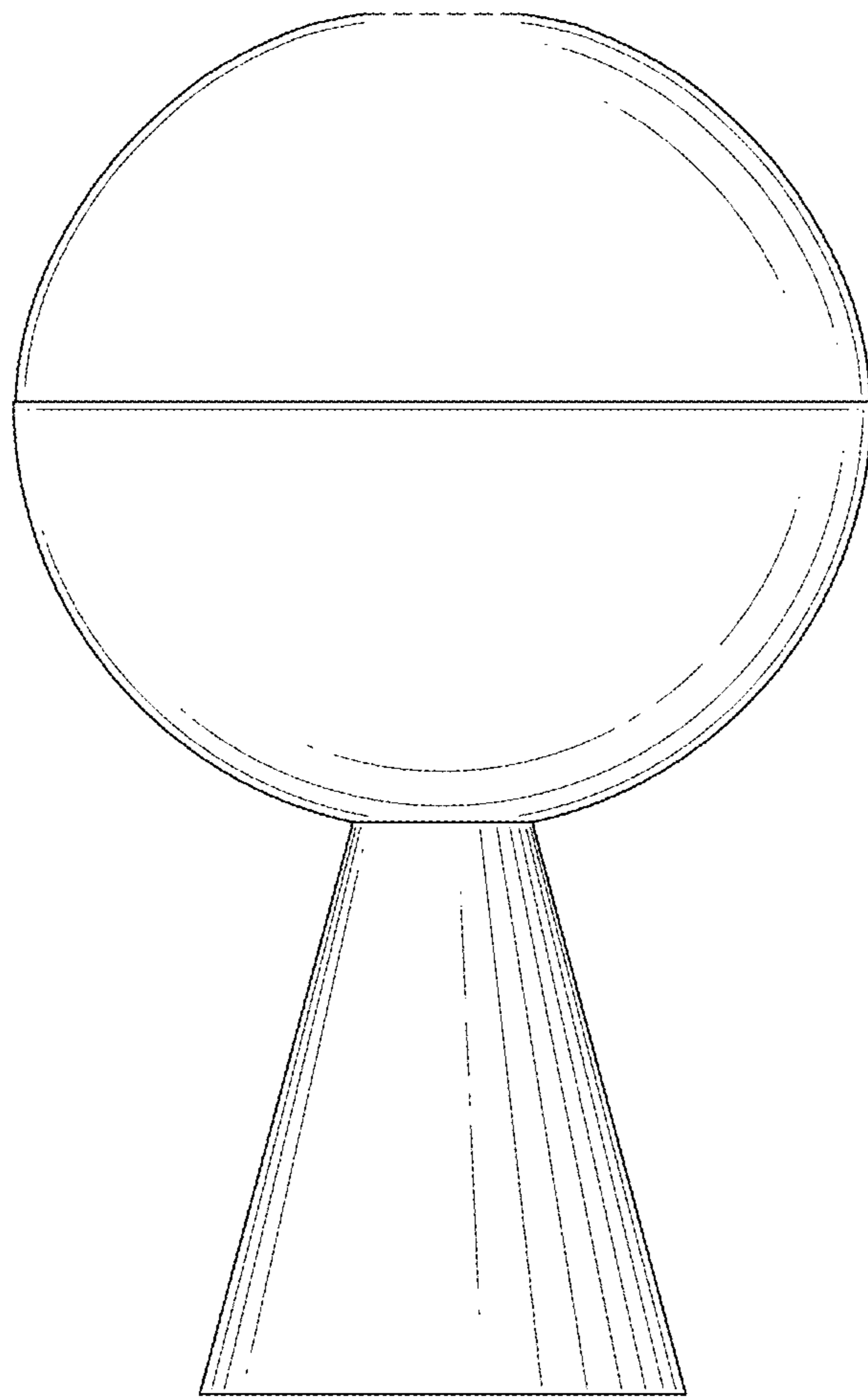


FIG. 4

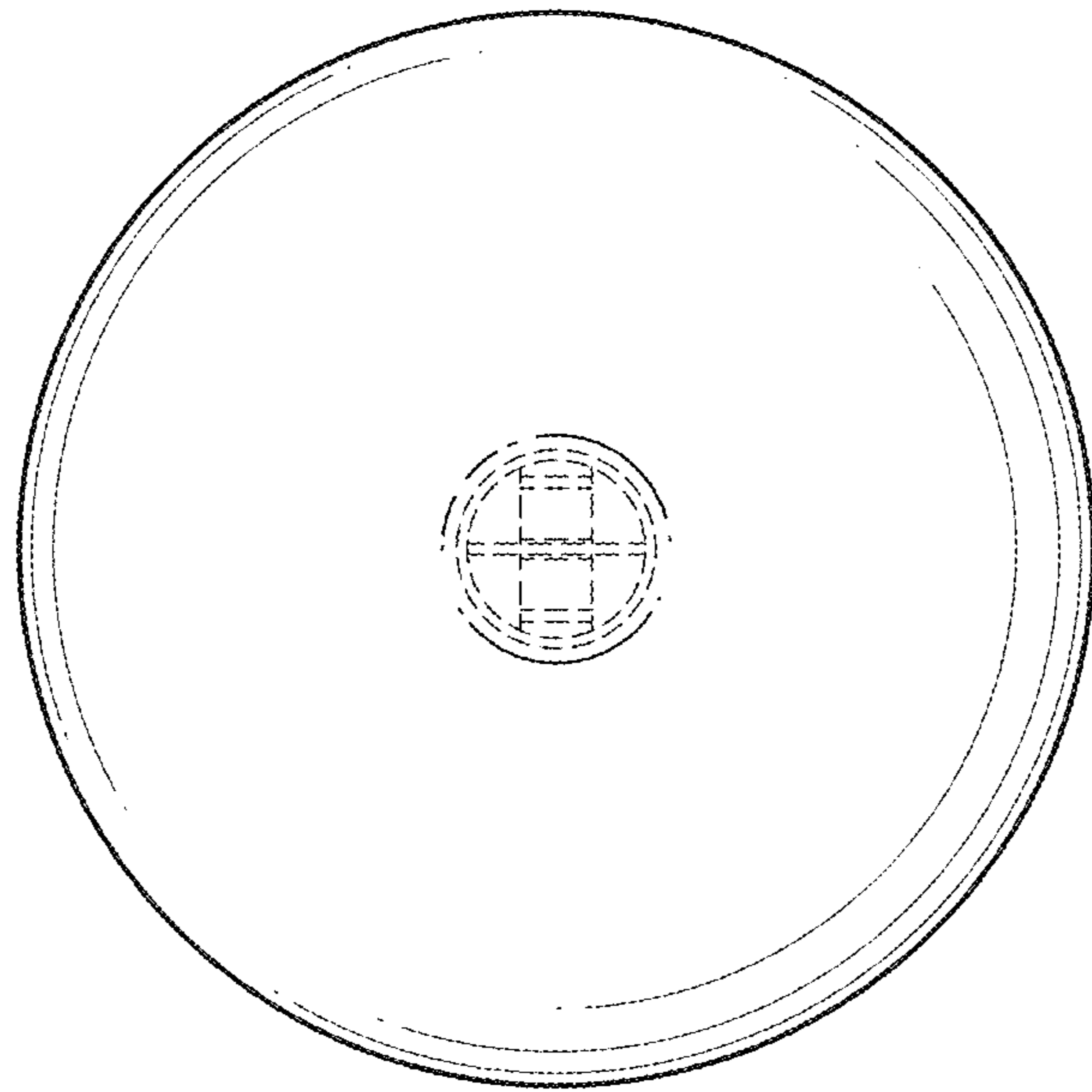


FIG. 5

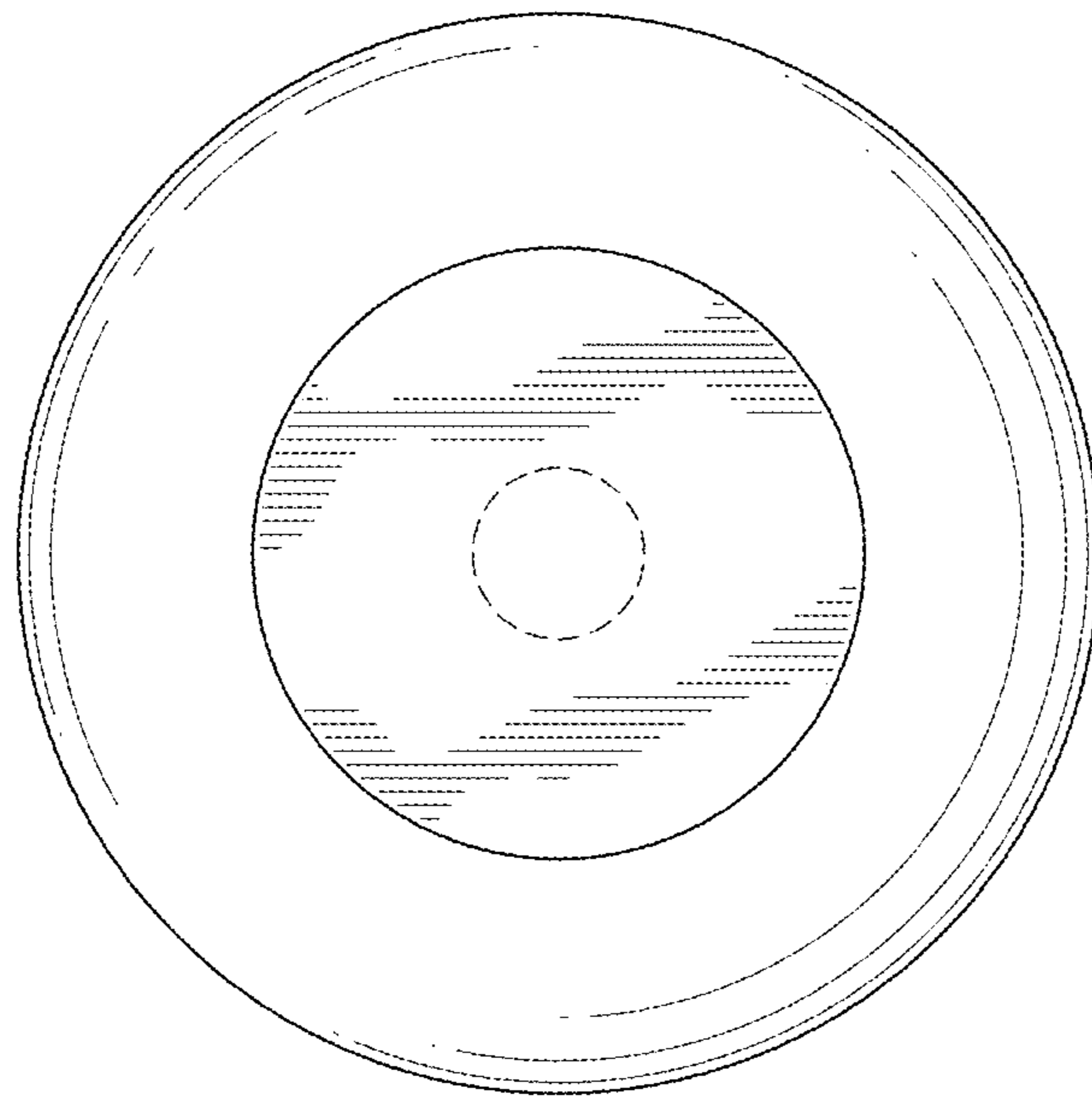


FIG. 6