



US00D788897S

(12) **United States Design Patent** (10) **Patent No.:** **US D788,897 S**  
**Lee** (45) **Date of Patent:** **\*\* Jun. 6, 2017**

(54) **PORTABLE AIR CLEANING HUMIDIFIER**

D593,669 S \* 6/2009 Daelemans ..... D23/366  
D620,576 S \* 7/2010 Jorgensen ..... D23/366  
D680,637 S \* 4/2013 Blachford ..... D23/366

(71) Applicant: **DAYOU WINIA CO., LTD.**, Asan-si,  
Chungcheongnam-do (KR)

(Continued)

(72) Inventor: **Se Hoon Lee**, Bucheon-si (KR)

*Primary Examiner* — Sandra Snapp

(73) Assignee: **DAYOU WINIA CO., LTD.**, Asan-si,  
Chungcheongnam-Do (KR)

(74) *Attorney, Agent, or Firm* — Koppel, Patrick, Heybl  
& Philpott

(\*\*) Term: **15 Years**

(57) **CLAIM**

(21) Appl. No.: **29/535,870**

The ornamental design for a portable air cleaning humidifier,  
as shown and described herein.

(22) Filed: **Aug. 11, 2015**

**DESCRIPTION**

(30) **Foreign Application Priority Data**

Feb. 12, 2015 (KR) ..... 30-2015-0007853

FIG. 1 is a perspective view of a portable air cleaning humidifier according to one embodiment of the present invention.

(51) **LOC (10) Cl.** ..... **23-04**

FIG. 2 is a front view of the portable air cleaning humidifier shown in FIG. 1.

(52) **U.S. Cl.**

USPC ..... **D23/356**; D23/366

FIG. 3 is a rear view of the portable air cleaning humidifier shown in FIG. 1.

(58) **Field of Classification Search**

USPC ..... D23/355–369; D28/5, 6; 261/DIG. 17,  
261/DIG. 42, DIG. 47, DIG. 55, DIG. 65,  
261/DIG. 70, DIG. 88, DIG. 89; 392/386,  
392/389, 394, 395, 403; 239/34, 44, 45,  
239/53, 56

FIG. 4 is a left-side view of the portable air cleaning humidifier shown in FIG. 1.

CPC ... A61L 9/02; A61L 9/03; A61L 9/034; A61L  
9/04; A61L 9/12; A61L 9/032; A61L  
9/122; A61L 9/127; A61L 9/22

FIG. 5 is a right-side view of the portable air cleaning humidifier shown in FIG. 1.

See application file for complete search history.

FIG. 6 is a top plan view of the portable air cleaning humidifier shown in FIG. 1.

FIG. 7 is a bottom view of the portable air cleaning humidifier shown in FIG. 1.

(56) **References Cited**

**U.S. PATENT DOCUMENTS**

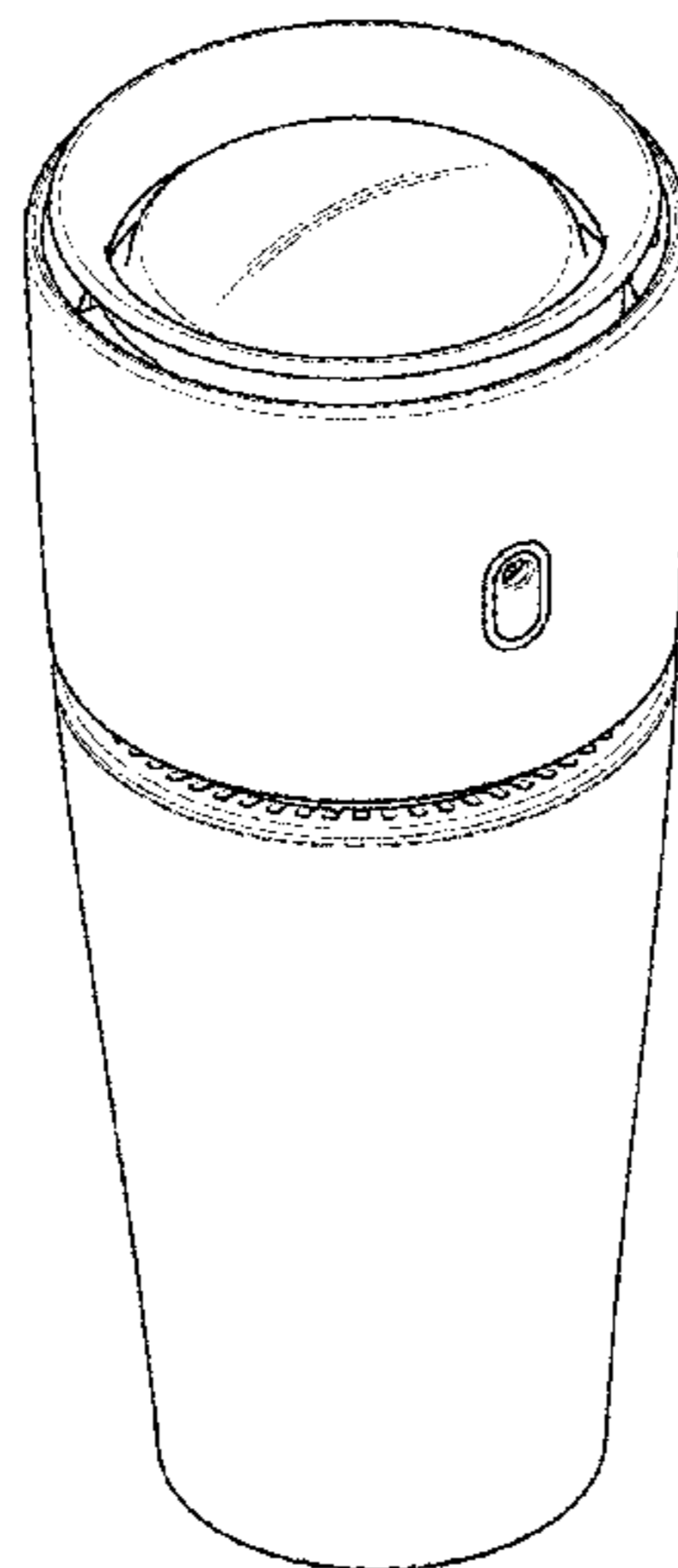
D328,946 S \* 8/1992 Havrilla ..... D23/365  
D411,294 S \* 6/1999 Gutmann ..... D23/355  
D560,788 S \* 1/2008 Farrell ..... D23/366  
D574,072 S \* 7/2008 Carlson ..... D23/364  
D582,534 S \* 12/2008 Conway ..... D11/152  
D583,451 S \* 12/2008 Aloe ..... D23/366  
D583,452 S \* 12/2008 Aloe ..... D23/366

FIG. 8 is a perspective view of the portable air cleaning humidifier shown in FIG. 1, wherein the portable air cleaning humidifier is mounted in a cup holder inside a vehicle; and,

FIG. 9 is a perspective view of the portable air cleaning humidifier shown in FIG. 1, wherein the portable air cleaning humidifier is placed on an office table.

Elements of the portable air cleaning humidifier in the attached figures are in broken lines for illustrative purposes only and form no part of the claimed design.

**1 Claim, 8 Drawing Sheets**



(56)

**References Cited**

U.S. PATENT DOCUMENTS

|                   |         |                      |                       |
|-------------------|---------|----------------------|-----------------------|
| D681,182 S *      | 4/2013  | Tomas Vilarasa ..... | D23/366               |
| D681,183 S *      | 4/2013  | Blachford .....      | D23/366               |
| D707,806 S *      | 6/2014  | Brewer .....         | D23/366               |
| D716,432 S *      | 10/2014 | Viala .....          | D23/366               |
| D741,987 S *      | 10/2015 | Gamble .....         | D23/366               |
| 2005/0169812 A1 * | 8/2005  | Helf .....           | A01M 1/02<br>422/123  |
| 2006/0120080 A1 * | 6/2006  | Sipinski .....       | A01M 1/205<br>362/253 |

\* cited by examiner

FIG. 1

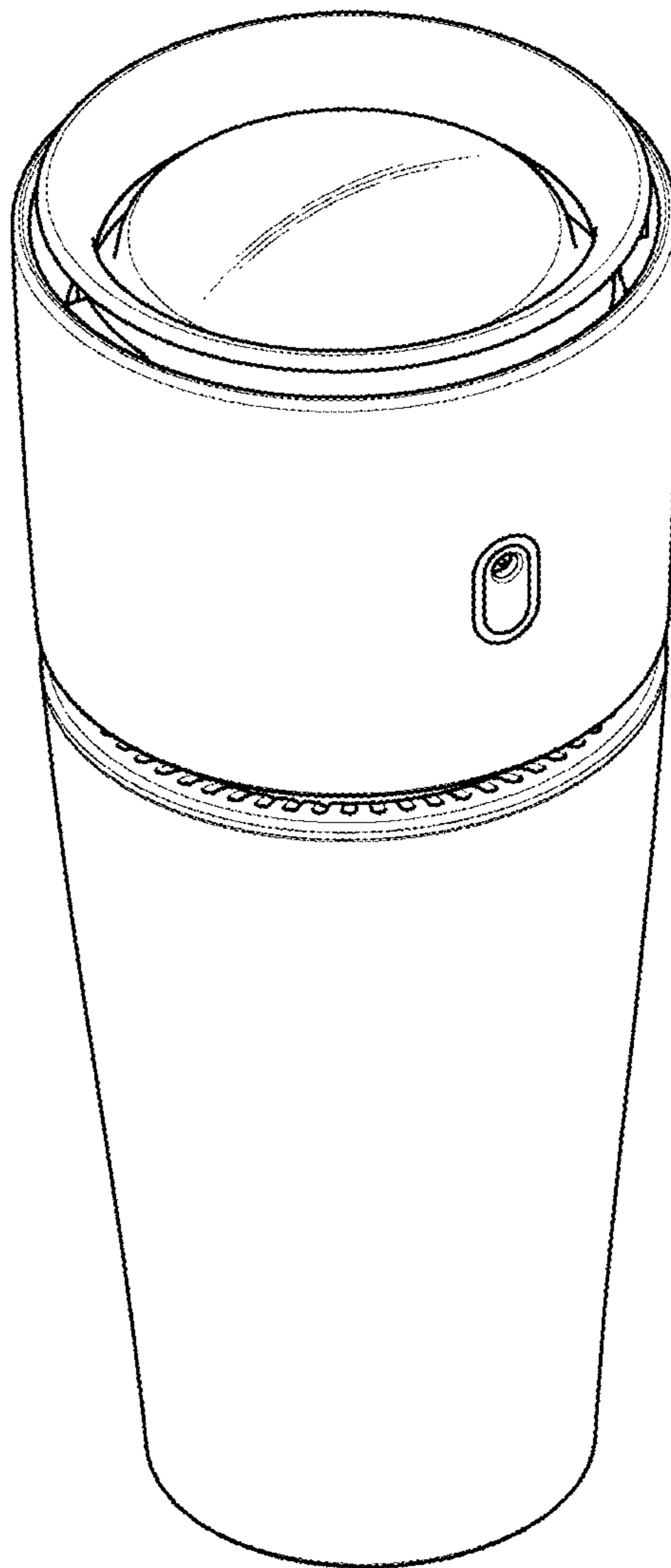


FIG. 2

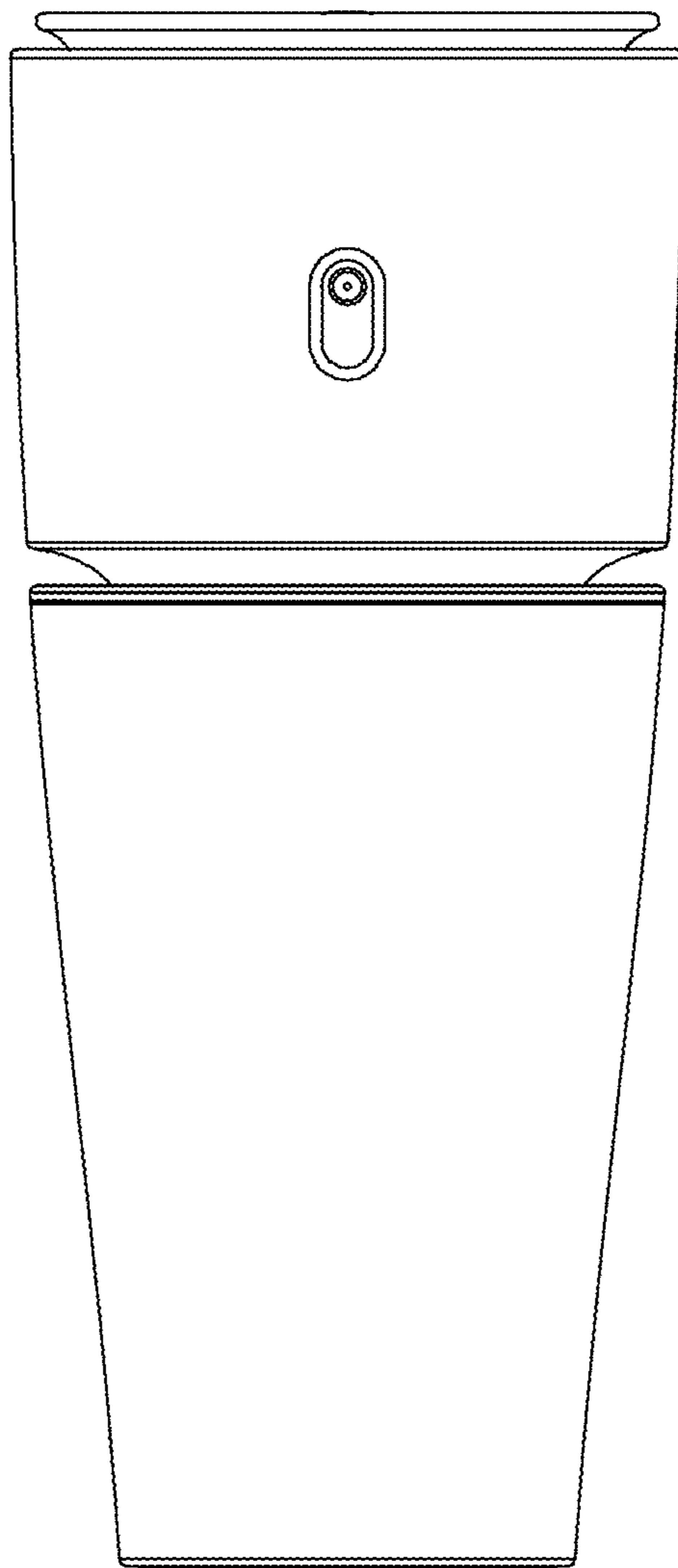


FIG. 3

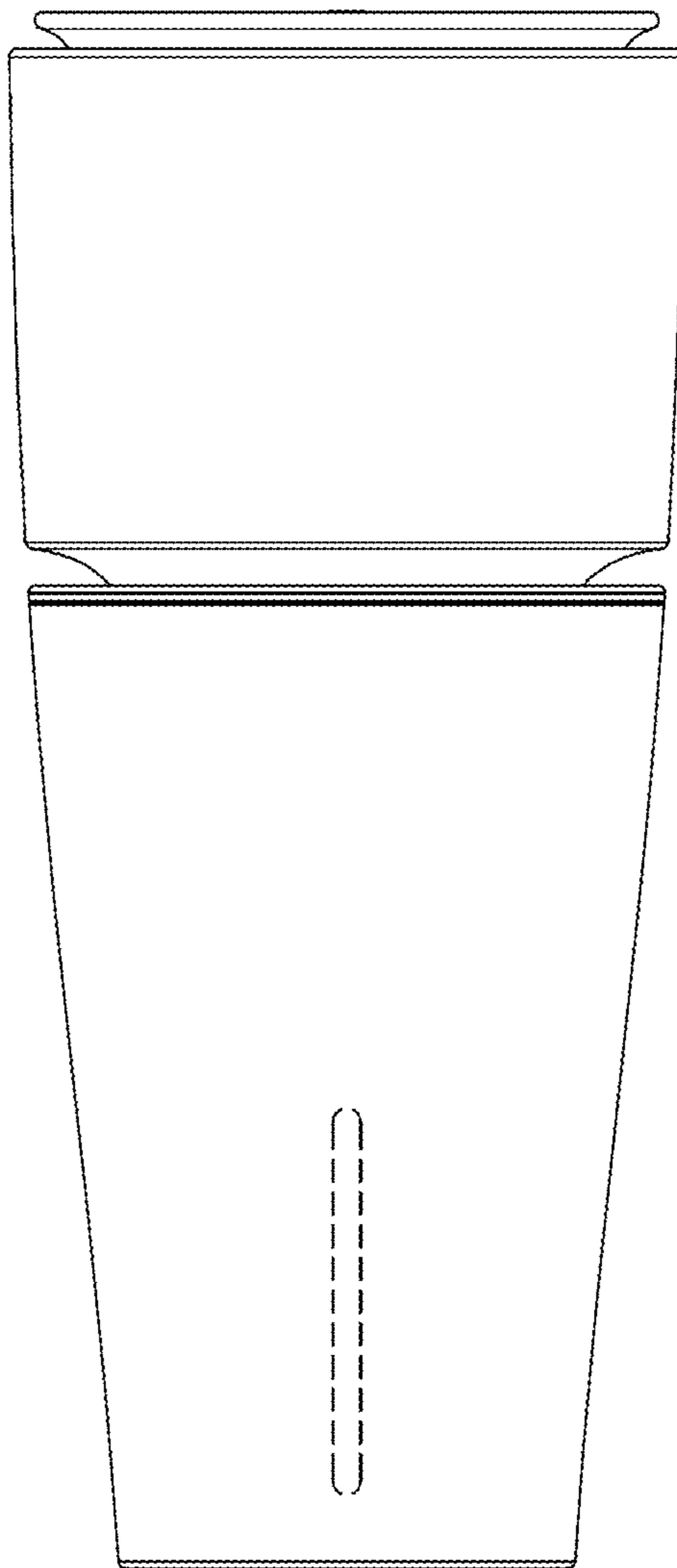


FIG. 4

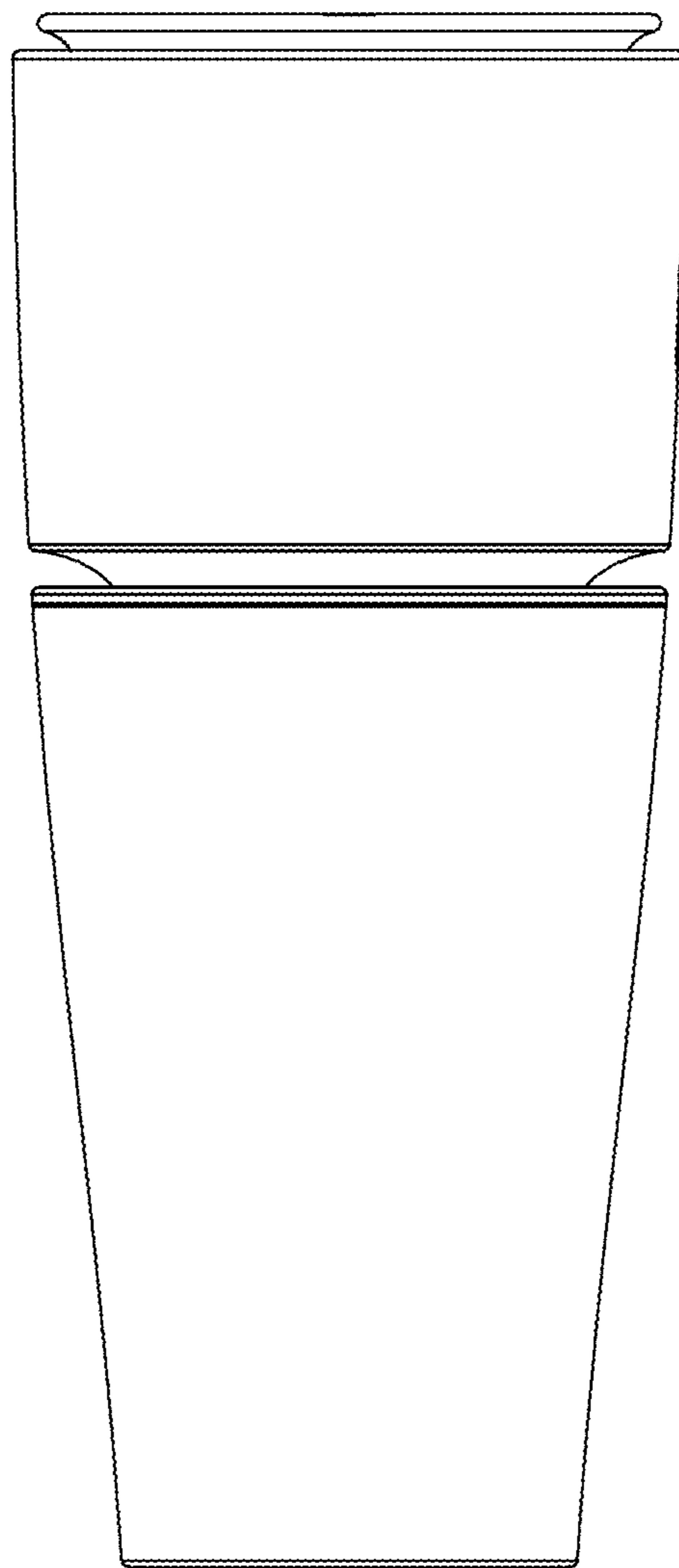


FIG. 5

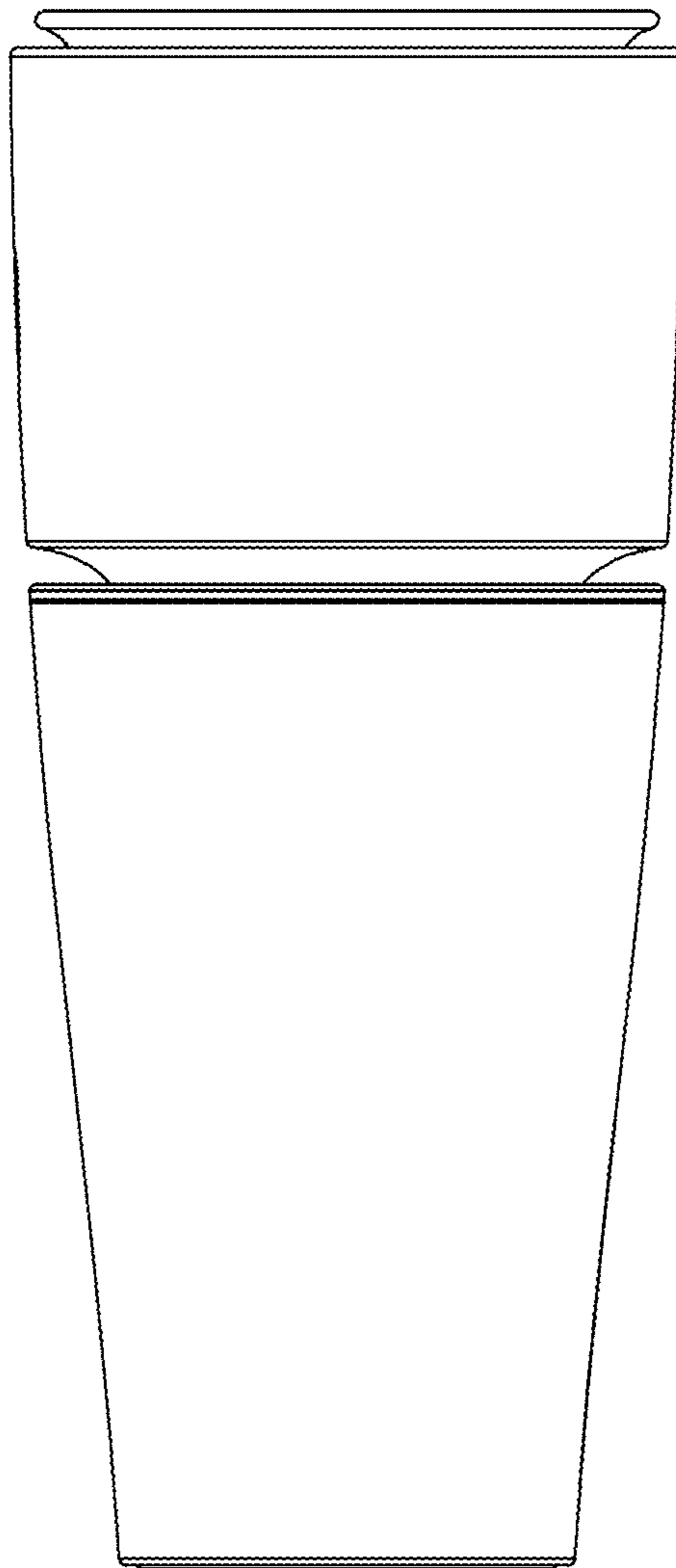


FIG. 6

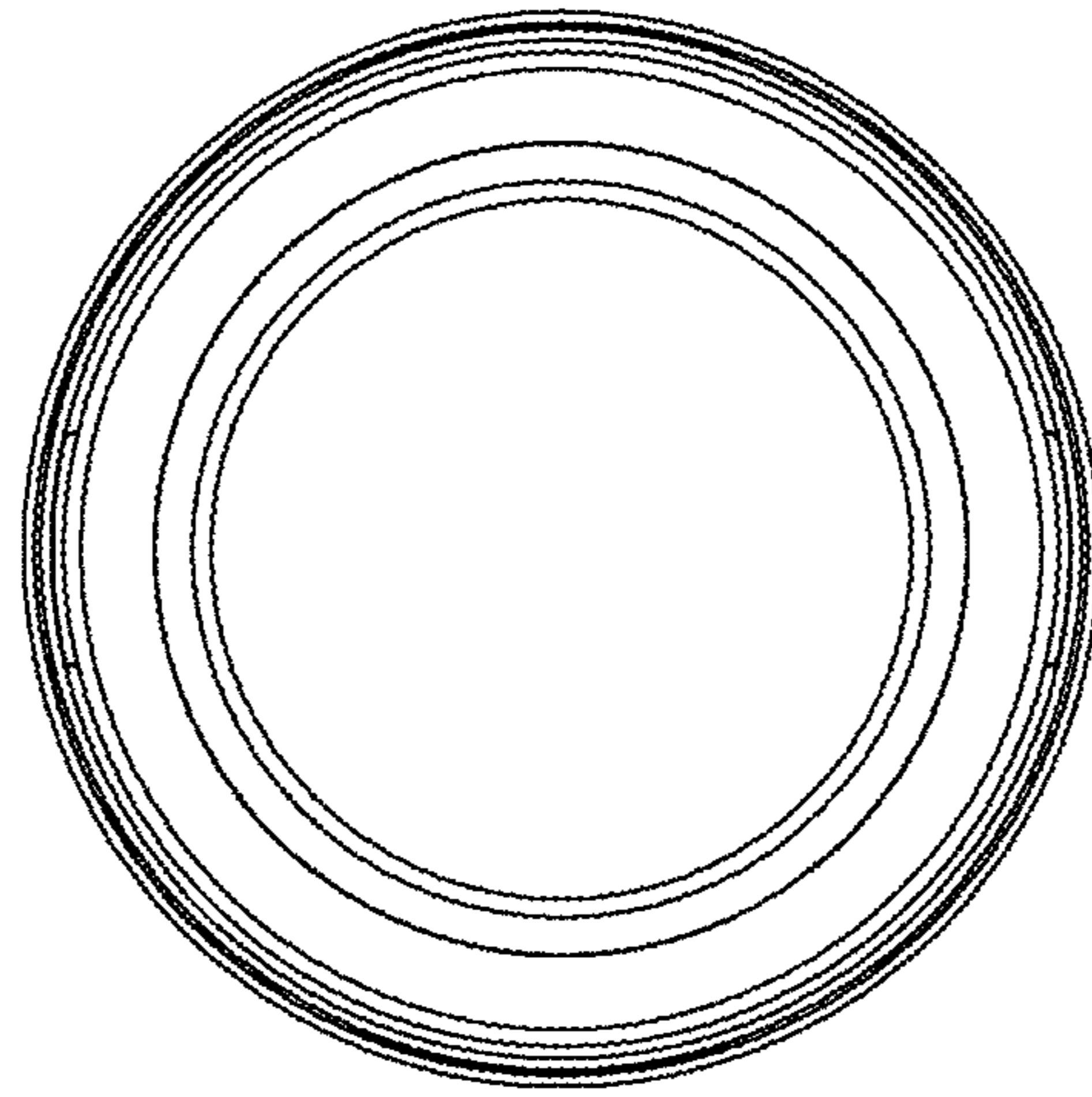


FIG. 7

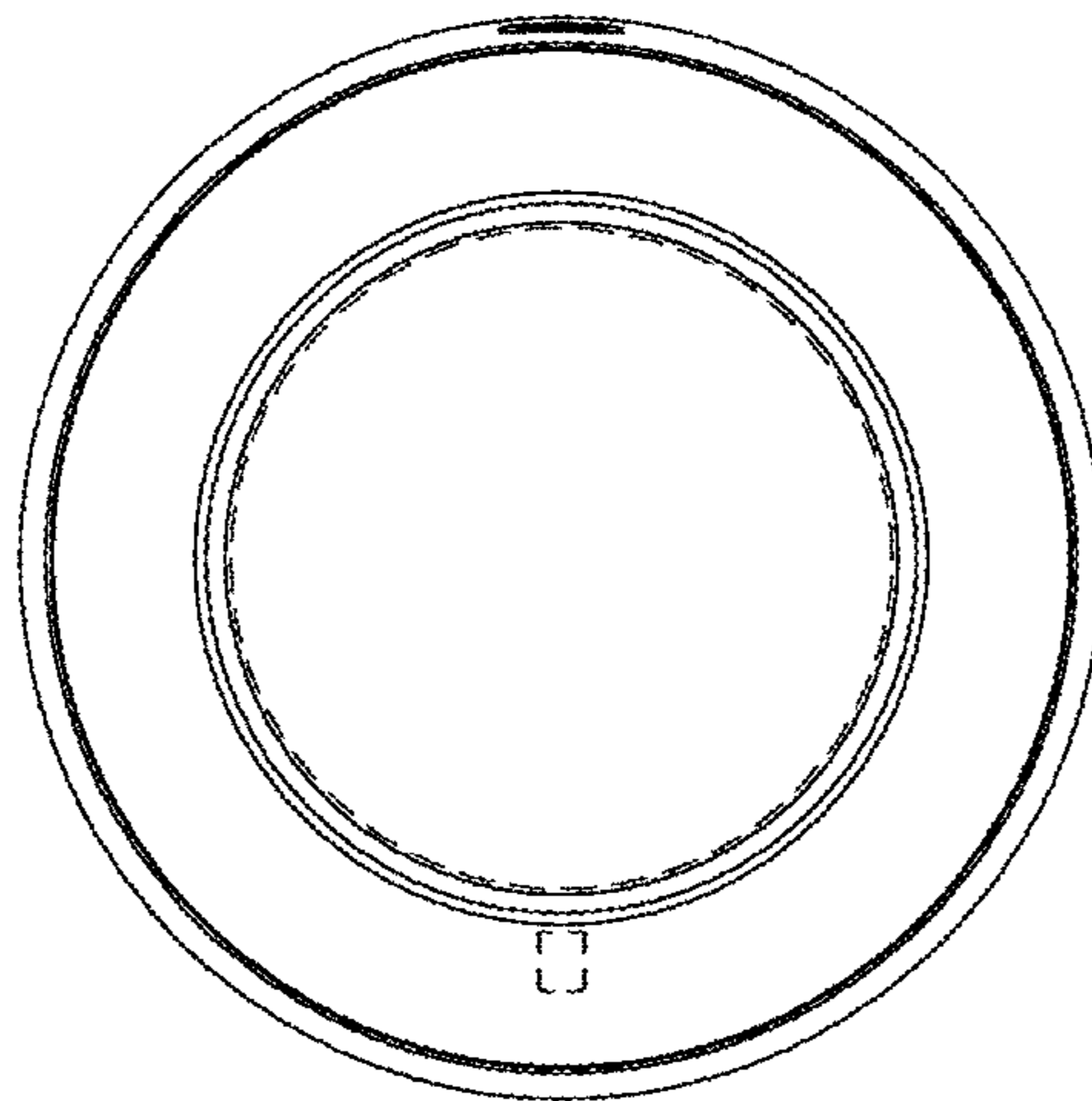




FIG. 8

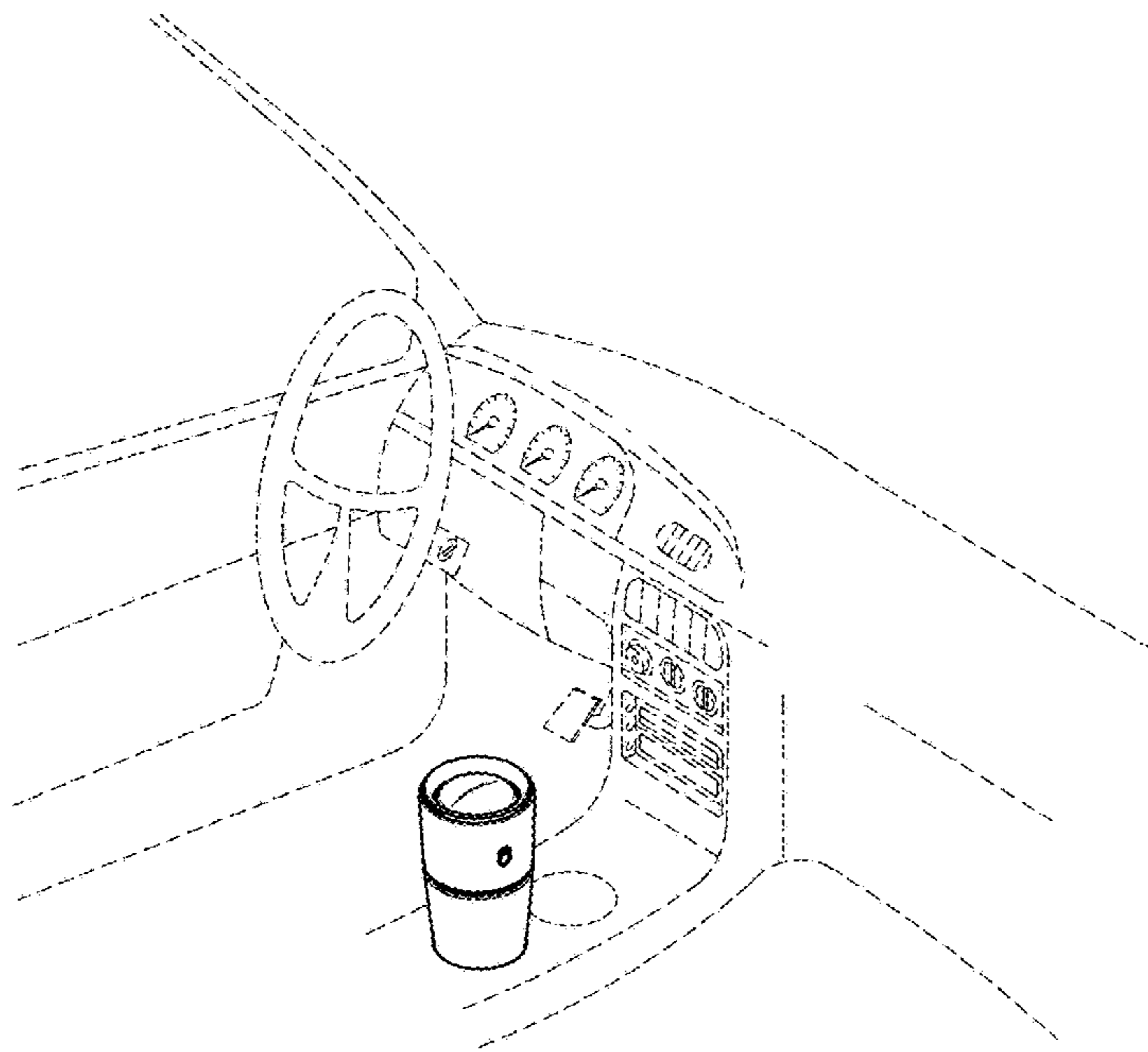


FIG. 9

