



US00D788893S

(12) **United States Design Patent**  
**Leo**

(10) **Patent No.:** **US D788,893 S**  
(45) **Date of Patent:** **\*\* Jun. 6, 2017**

(54) **TOILET SEAT HEIGHT ADJUSTER**

(71) Applicant: **Leonard Leo**, East Islip, NY (US)

(72) Inventor: **Leonard Leo**, East Islip, NY (US)

(\*\*) Term: **15 Years**

(21) Appl. No.: **29/551,397**

(22) Filed: **Jan. 13, 2016**

(51) **LOC (10) Cl.** ..... **23-02**

(52) **U.S. Cl.**  
USPC ..... **D23/311**

(58) **Field of Classification Search**  
USPC ..... D23/311, 309, 303, 296  
CPC ..... A47K 13/00; A47K 13/005; A47K 13/02;  
A47K 13/06  
See application file for complete search history.

(56) **References Cited**

**U.S. PATENT DOCUMENTS**

- 4,213,211 A \* 7/1980 Bemis ..... A47K 13/005  
4/235
- 5,191,660 A \* 3/1993 Francke ..... A47K 13/005  
297/352

- 5,251,338 A \* 10/1993 Light ..... A47K 13/005  
4/235
- D395,700 S \* 6/1998 Butler ..... D23/311
- D556,306 S \* 11/2007 Bryant ..... D23/311
- D699,331 S \* 2/2014 Rossi ..... D23/311

\* cited by examiner

*Primary Examiner* — Robert Delehanty  
(74) *Attorney, Agent, or Firm* — RG Patent Consulting, LLC; Rachel Gilboy

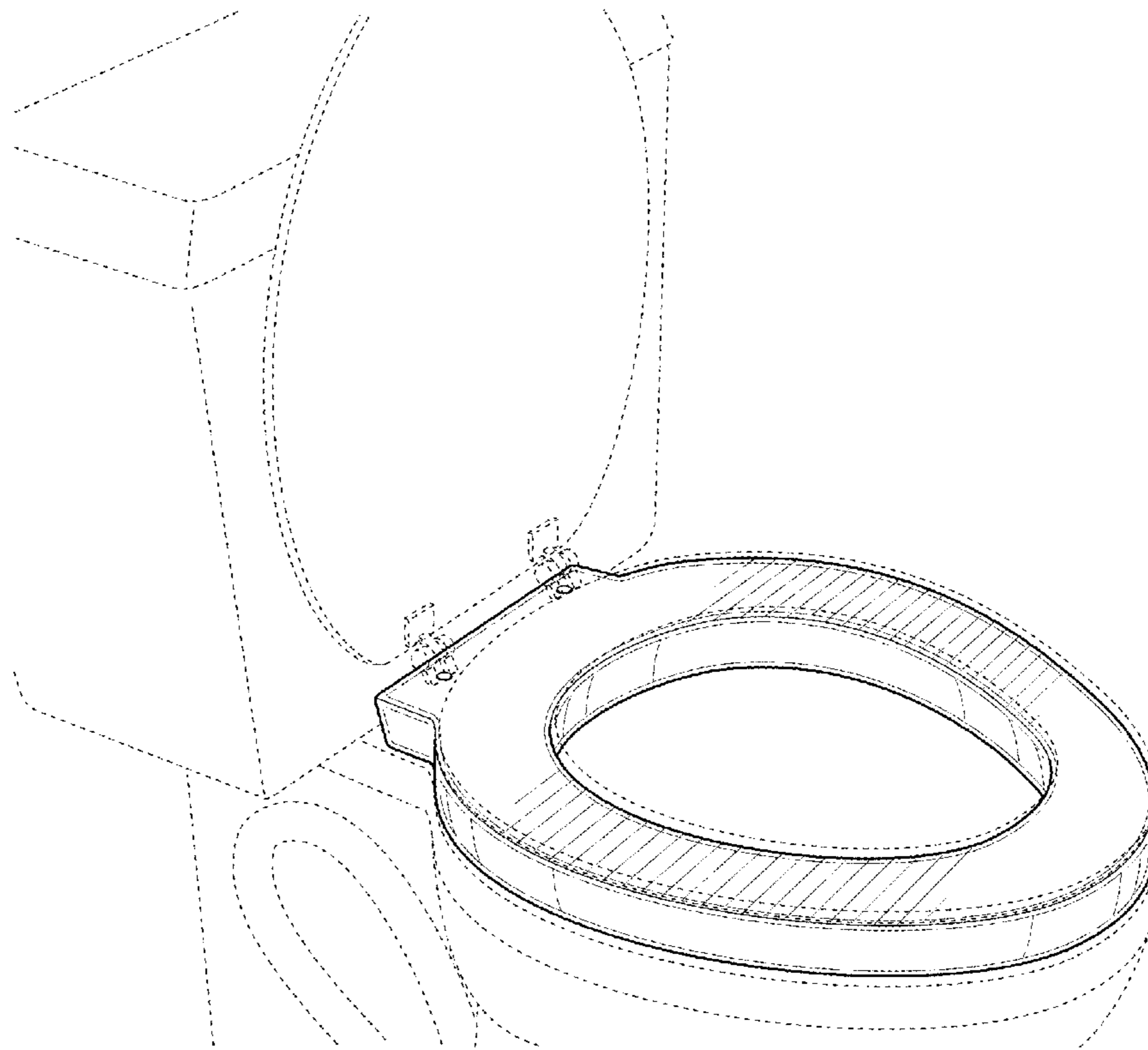
(57) **CLAIM**

The ornamental design for the toilet seat height adjuster, as described and shown.

**DESCRIPTION**

FIG. 1 is a perspective view of the toilet seat height adjuster showing my new design;  
FIG. 2 is a top plan view thereof;  
FIG. 3 is a bottom plan view thereof;  
FIG. 4 is a right side elevation view thereof;  
FIG. 5 is a left side elevation view thereof;  
FIG. 6 is a front elevation view thereof; and,  
FIG. 7 is a rear elevation view thereof.  
Broken lines are included for depicting environmental subject matter and form no part of the claimed design.

**1 Claim, 4 Drawing Sheets**



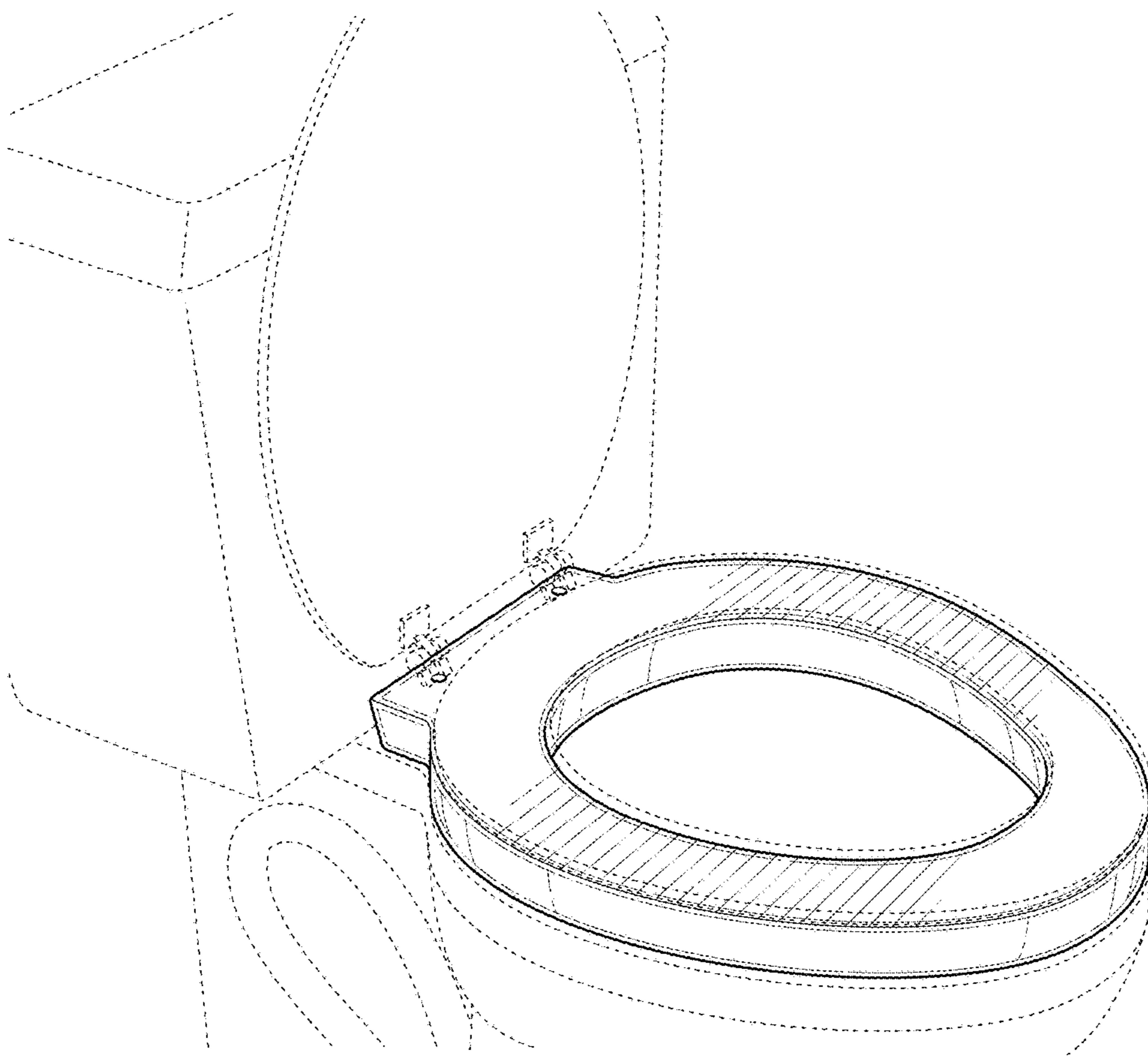
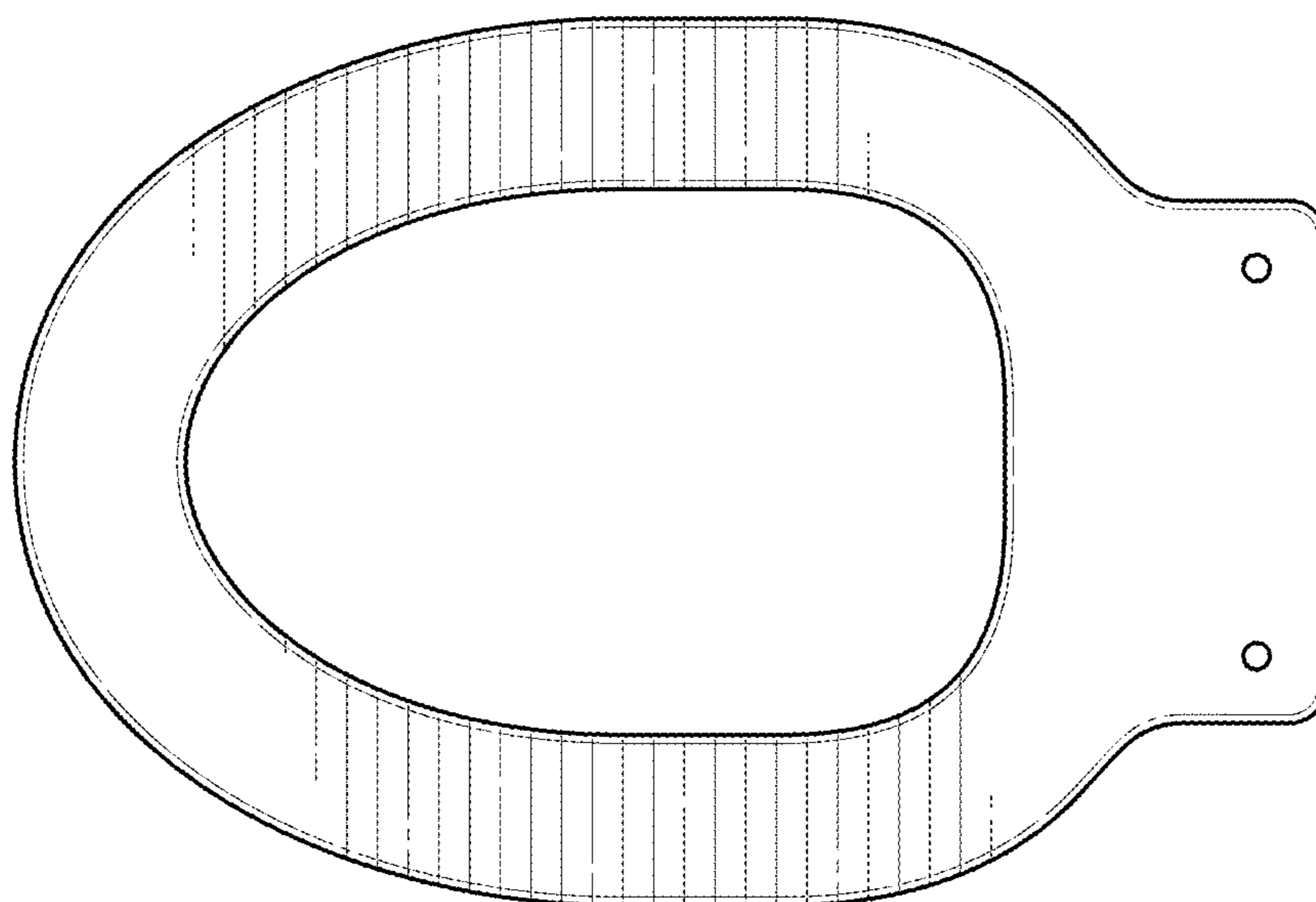
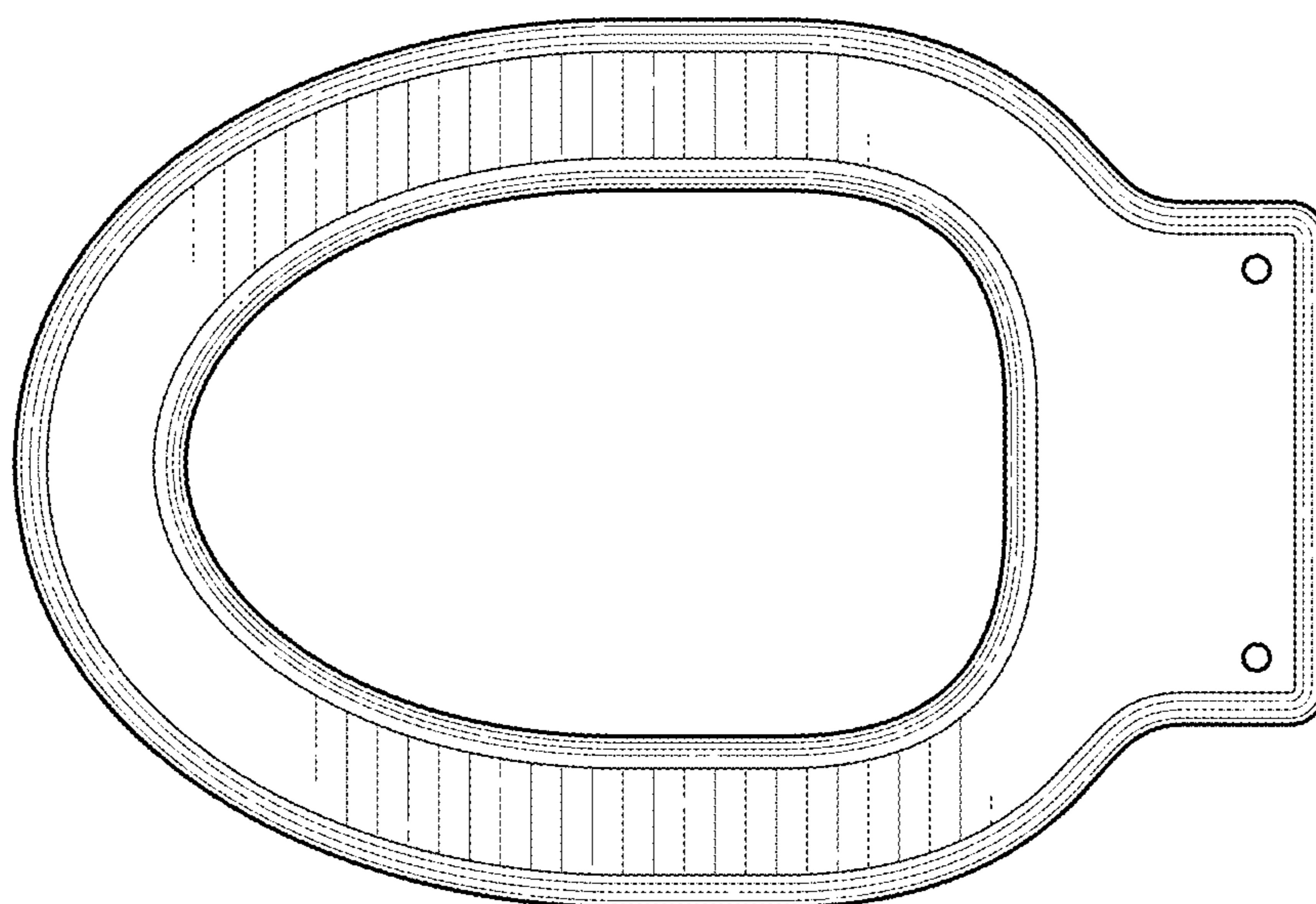


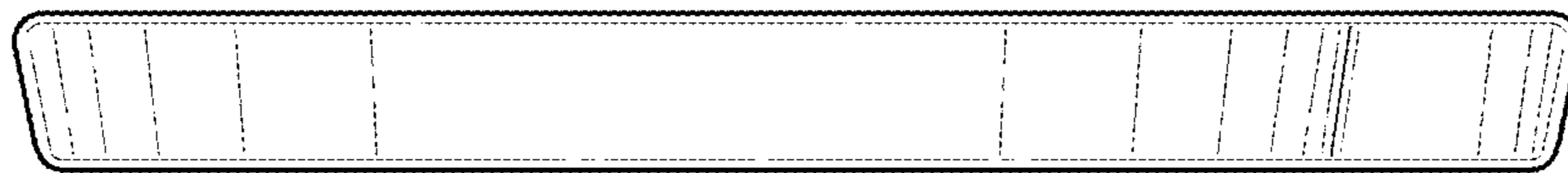
FIG. 1



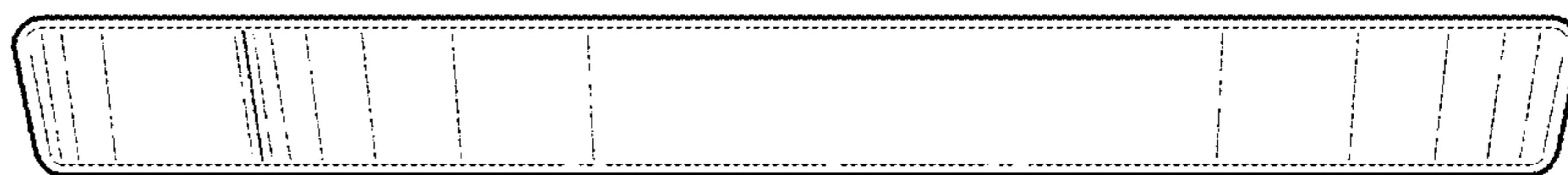
**FIG. 2**



**FIG. 3**



**FIG. 4**



**FIG. 5**



**FIG. 6**



**FIG. 7**