



US00D788891S

(12) **United States Design Patent**  
**Greer**

(10) **Patent No.:** **US D788,891 S**

(45) **Date of Patent:** **\*\* Jun. 6, 2017**

(54) **SHAFT FOR CONNECTING TO A DEGAS COUPLER**

(71) Applicant: **Karl E. Greer**, Lewisport, KY (US)

(72) Inventor: **Karl E. Greer**, Lewisport, KY (US)

(\*\*) Term: **15 Years**

(21) Appl. No.: **29/564,573**

(22) Filed: **May 13, 2016**

(51) **LOC (10) Cl.** ..... **23-01**

(52) **U.S. Cl.**  
USPC ..... **D23/262**

(58) **Field of Classification Search**  
USPC ..... D23/259-261, 267-269, 262-266;  
D8/330-331, 343-345, 382; 285/107,  
285/148.19, 148.22; 251/148;  
D24/110.6, 113, 129  
CPC ..... F16L 37/00; F16L 37/091; F16L 33/227;  
F16L 33/22  
See application file for complete search history.

(56) **References Cited**

**U.S. PATENT DOCUMENTS**

3,848,902 A \* 11/1974 Modrey ..... F16L 33/227  
285/124.4  
D313,067 S \* 12/1990 Kotake ..... D23/262

D361,501 S \* 8/1995 Myers ..... D8/331  
D453,815 S \* 2/2002 Hoenig ..... D23/259  
D480,453 S \* 10/2003 Filer ..... D23/262  
D480,454 S \* 10/2003 Filer ..... D23/262  
D639,398 S \* 6/2011 Wilhelm ..... D23/262  
D646,145 S \* 10/2011 Stuckey ..... D8/331  
D648,008 S \* 11/2011 Percoco ..... D23/262  
D691,246 S \* 10/2013 Ward ..... D23/262  
D711,516 S \* 8/2014 Guest ..... D23/262  
D731,626 S \* 6/2015 Umehara ..... D23/262  
D758,555 S \* 6/2016 Van Dyke ..... D23/262

\* cited by examiner

*Primary Examiner* — Eric Goodman

*Assistant Examiner* — Amy Wierenga

(74) *Attorney, Agent, or Firm* — Gary K. Price

(57) **CLAIM**

The ornamental design for a shaft for connecting to a degas coupler, as shown and described.

**DESCRIPTION**

FIG. 1 is a perspective view of the shaft for connecting to a degas coupler;

FIG. 2 is a front view thereof.

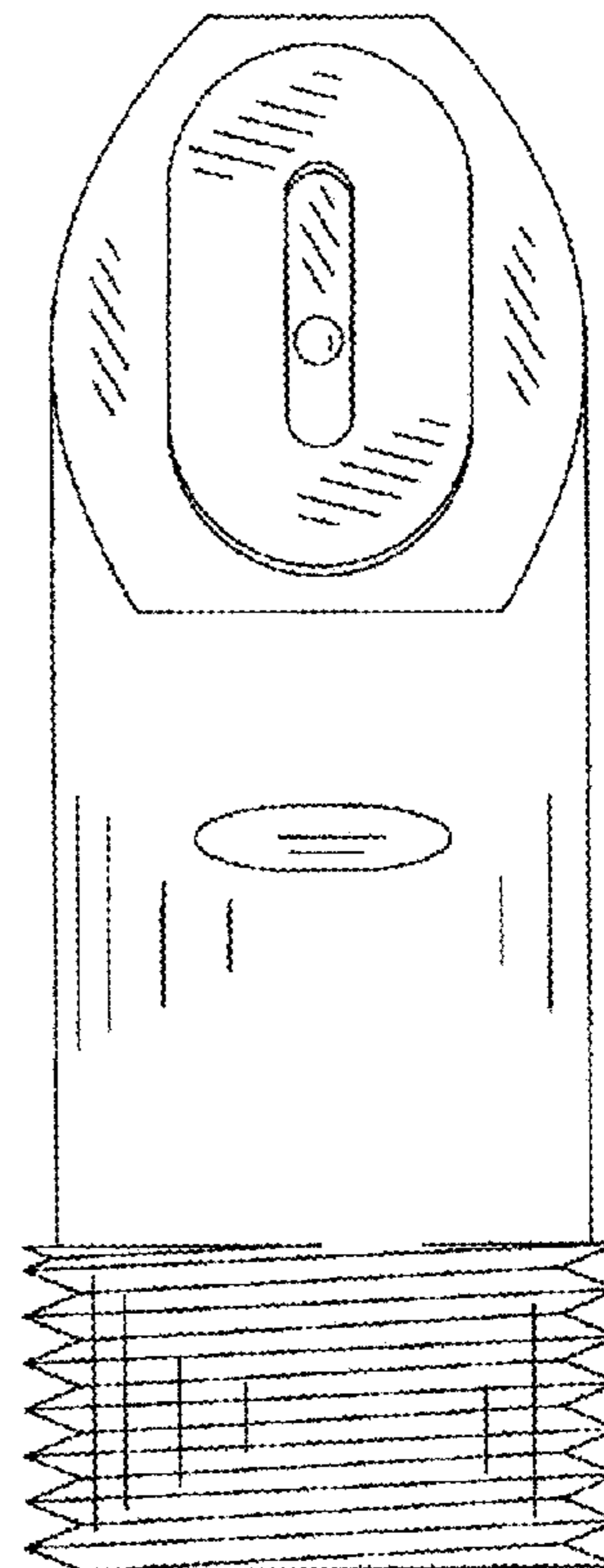
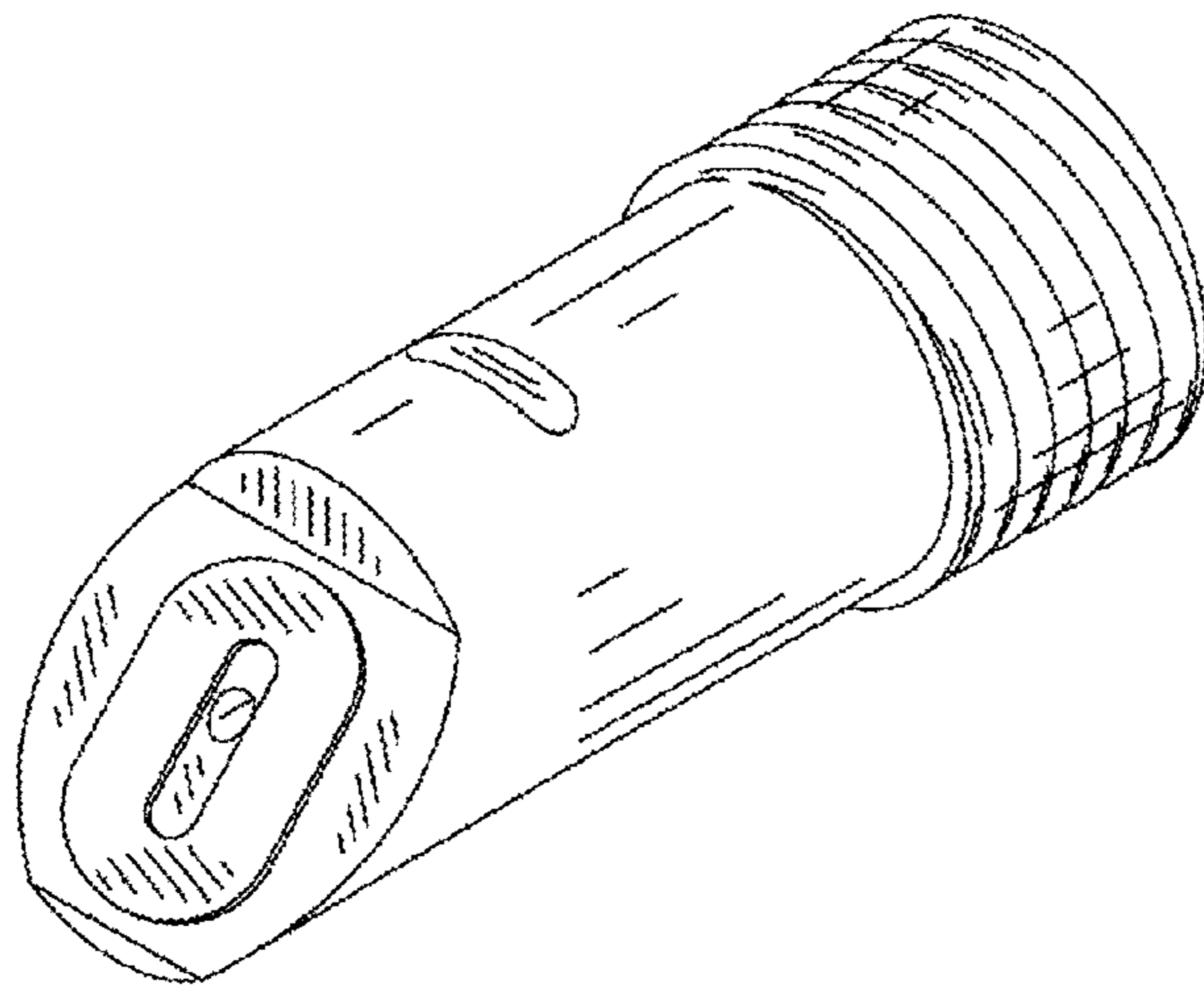
FIG. 3 is a side view thereof.

FIG. 4 is a back view thereof.

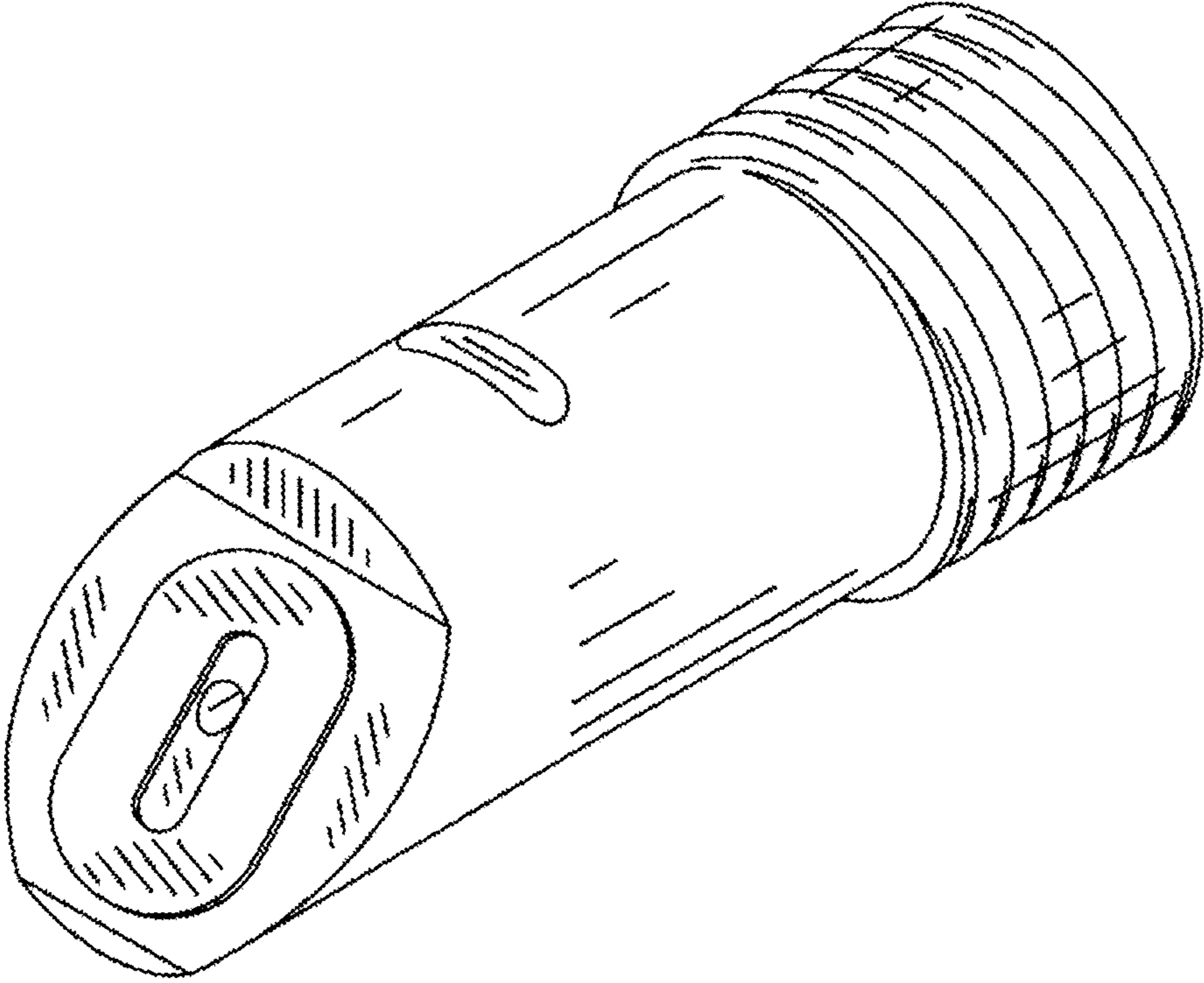
FIG. 5 is a top end view thereof; and,

FIG. 6 is a bottom end view thereof.

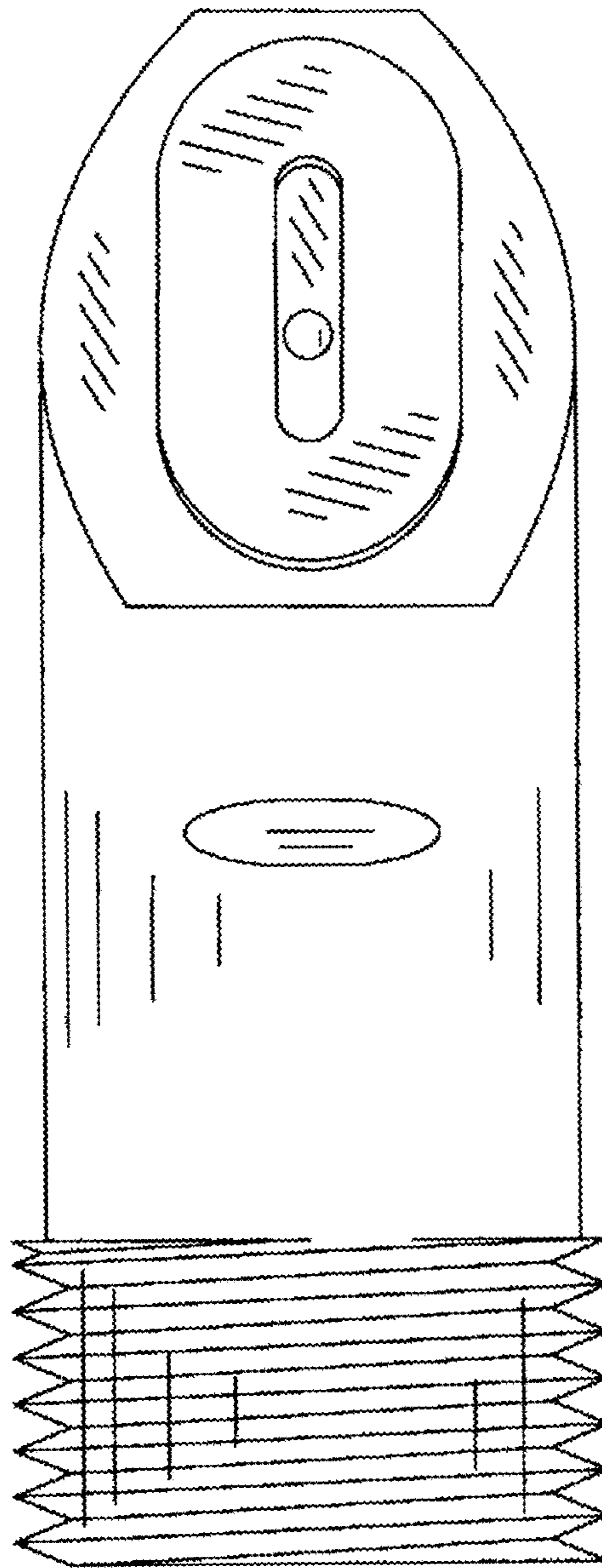
**1 Claim, 5 Drawing Sheets**



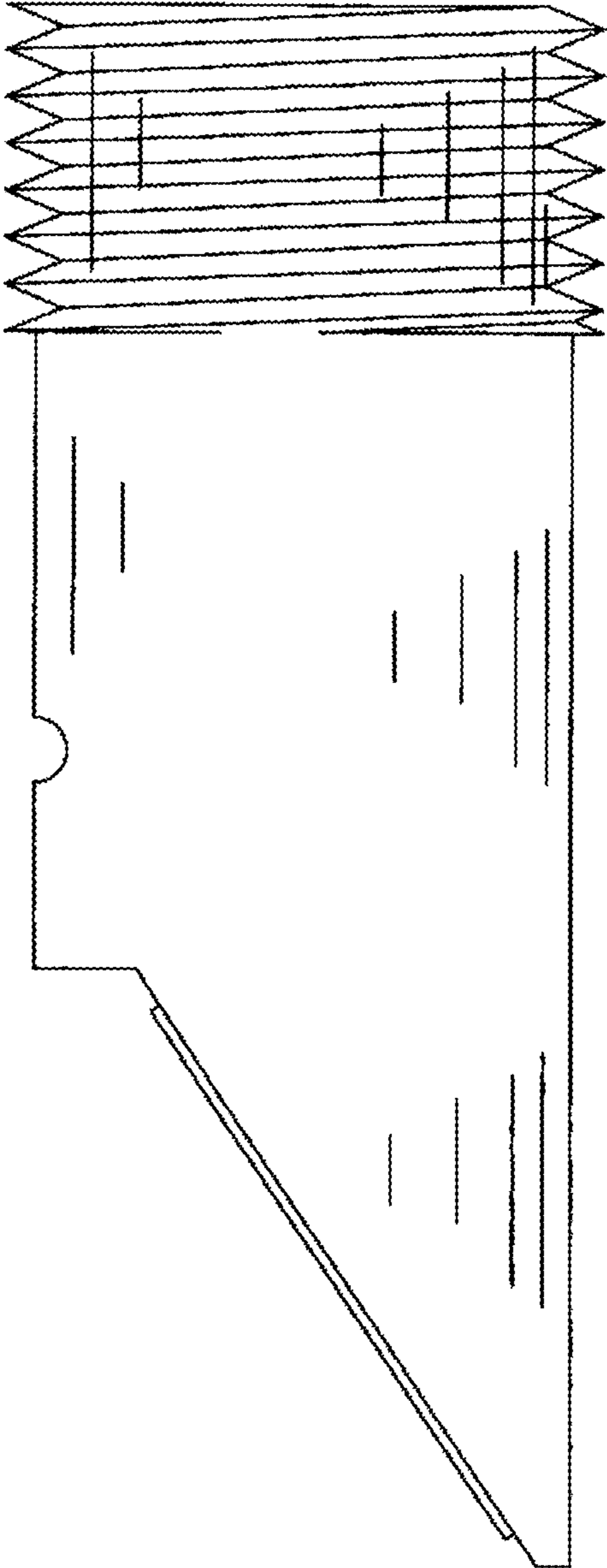
**FIG. 1**



**FIG. 2**



**FIG. 3**



**FIG. 4**

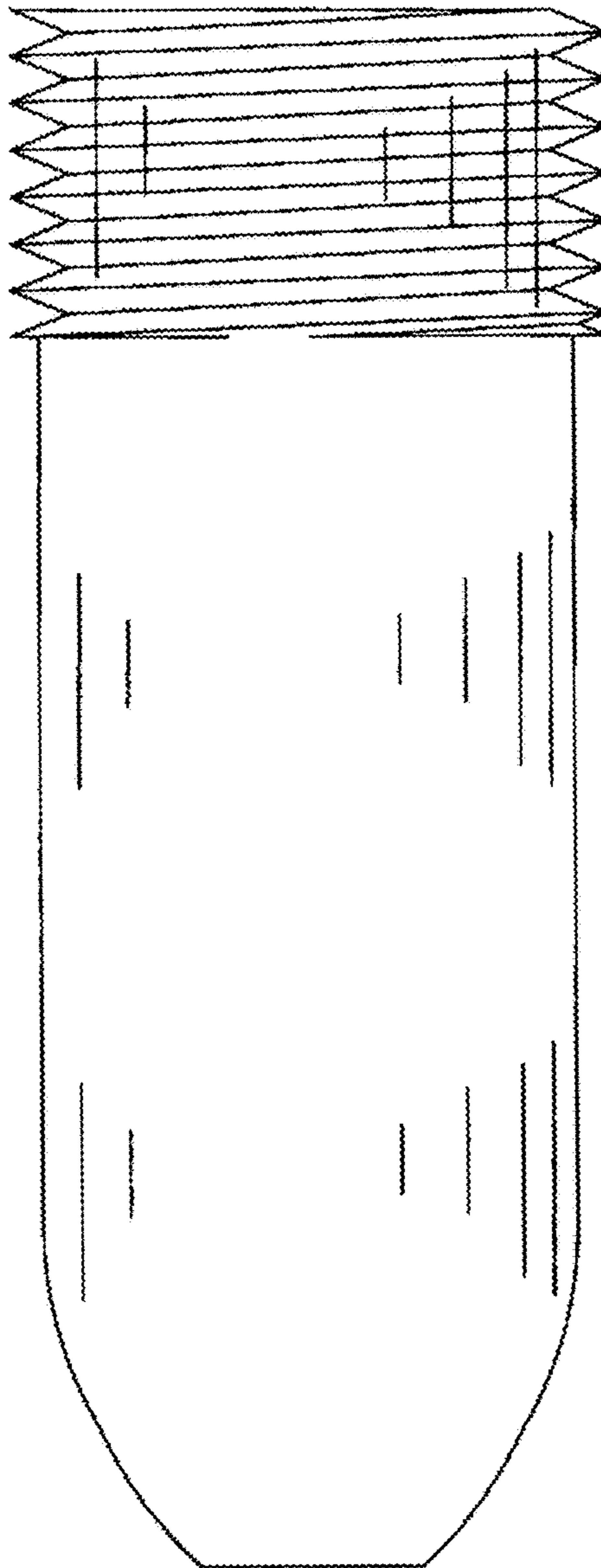


FIG. 6

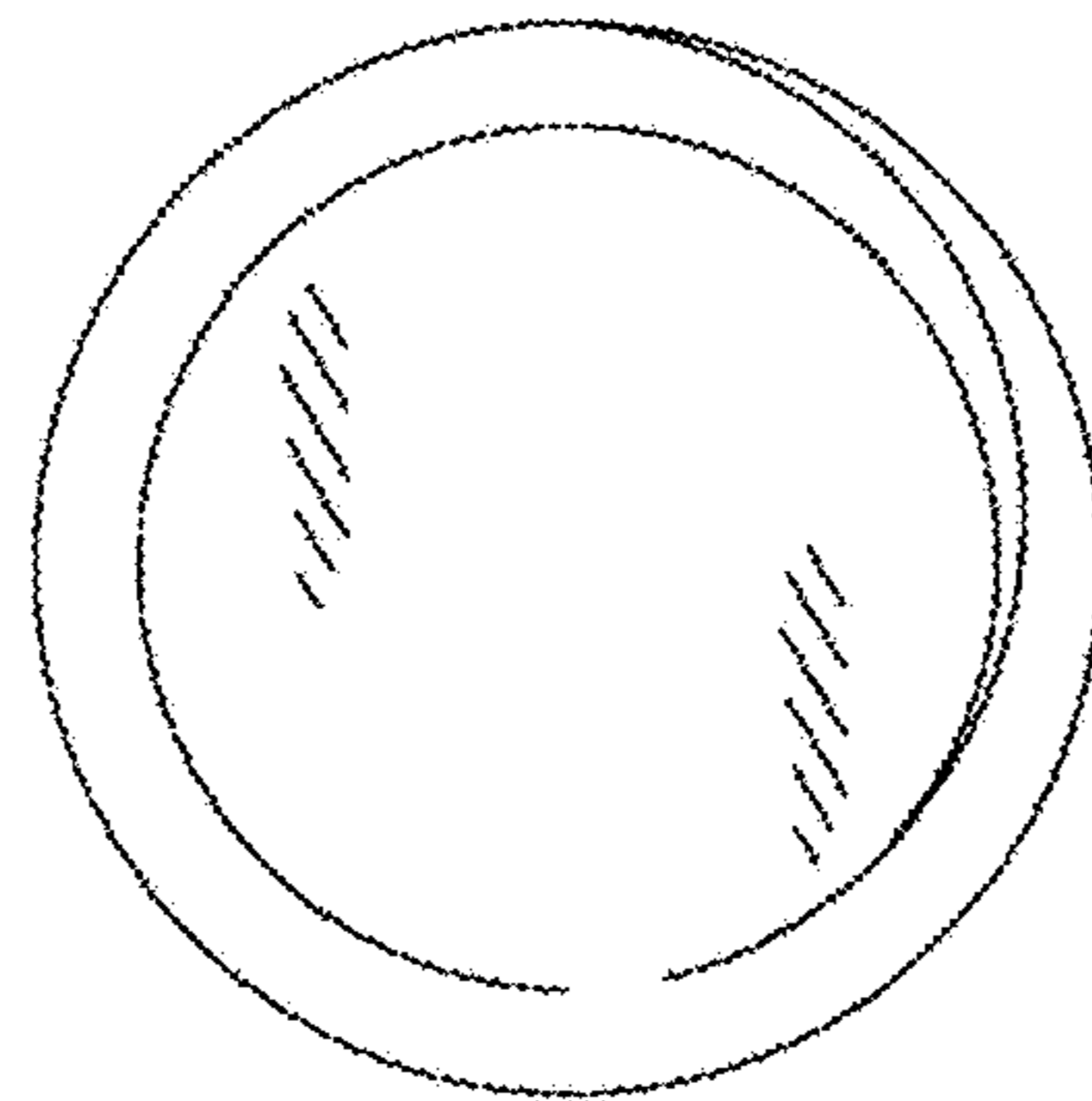


FIG. 5

