



US00D788890S

(12) **United States Design Patent**  
**Downs et al.**

(10) **Patent No.:** **US D788,890 S**  
(45) **Date of Patent:** **\*\* Jun. 6, 2017**

(54) **COUPLING**

(71) Applicant: **Colder Products Company**, St. Paul, MN (US)

(72) Inventors: **Dennis Daniel Downs**, Andover, MN (US); **Gary James Harris**, Maple Grove, MN (US); **Grant Armin Wilhelm**, Plymouth, MN (US)

(73) Assignee: **Colder Products Company**, St. Paul, MN (US)

(\*\*) Term: **15 Years**

(21) Appl. No.: **29/553,778**

(22) Filed: **Feb. 4, 2016**

**Related U.S. Application Data**

(63) Continuation of application No. 13/650,914, filed on Oct. 12, 2012, now abandoned.

(51) **LOC (10) Cl.** ..... **23-01**

(52) **U.S. Cl.**  
USPC ..... **D23/262**

(58) **Field of Classification Search**  
USPC ..... D23/259-265, 268-269; D24/129; D8/382-383; 251/144, 148, 149.1, 149.3, 251/149.6, 152; 285/7, 11-12, 107, 285/148.19, 148.21-148.22, 305, 352, 285/379

CPC ..... F16L 37/0841; F16L 37/35; F16L 37/34; F16L 37/142; F16L 37/413; F16L 37/30

See application file for complete search history.

(56) **References Cited**

**U.S. PATENT DOCUMENTS**

592,899 A 11/1897 Wilson  
4,070,003 A 1/1978 Shames et al.  
4,469,136 A 9/1984 Watkins

4,541,457 A 9/1985 Blenkush  
5,765,612 A 6/1998 Morin  
5,845,943 A 12/1998 Ramacier, Jr. et al.  
6,024,124 A 2/2000 Braun et al.  
6,758,457 B2 7/2004 Nicolino et al.  
6,837,262 B2 1/2005 Cortez et al.  
6,895,952 B1 5/2005 Bachelder  
D521,614 S \* 5/2006 Kitagawa ..... D23/262  
7,469,472 B2 \* 12/2008 deCler ..... F16L 37/0841  
264/279  
D629,891 S \* 12/2010 Virr ..... D24/129

(Continued)

**FOREIGN PATENT DOCUMENTS**

DE 1298378 6/1969  
DE 20011308 12/2000

(Continued)

**OTHER PUBLICATIONS**

Colder Products Company, Catalog, "Cleaner, Faster, Safer, Smarter Colder, first in choice in couplings," Oct. 2007, 4 pages.

(Continued)

*Primary Examiner* — Eric Goodman  
*Assistant Examiner* — Amy Wierenga

(74) *Attorney, Agent, or Firm* — Fish & Richardson P.C.

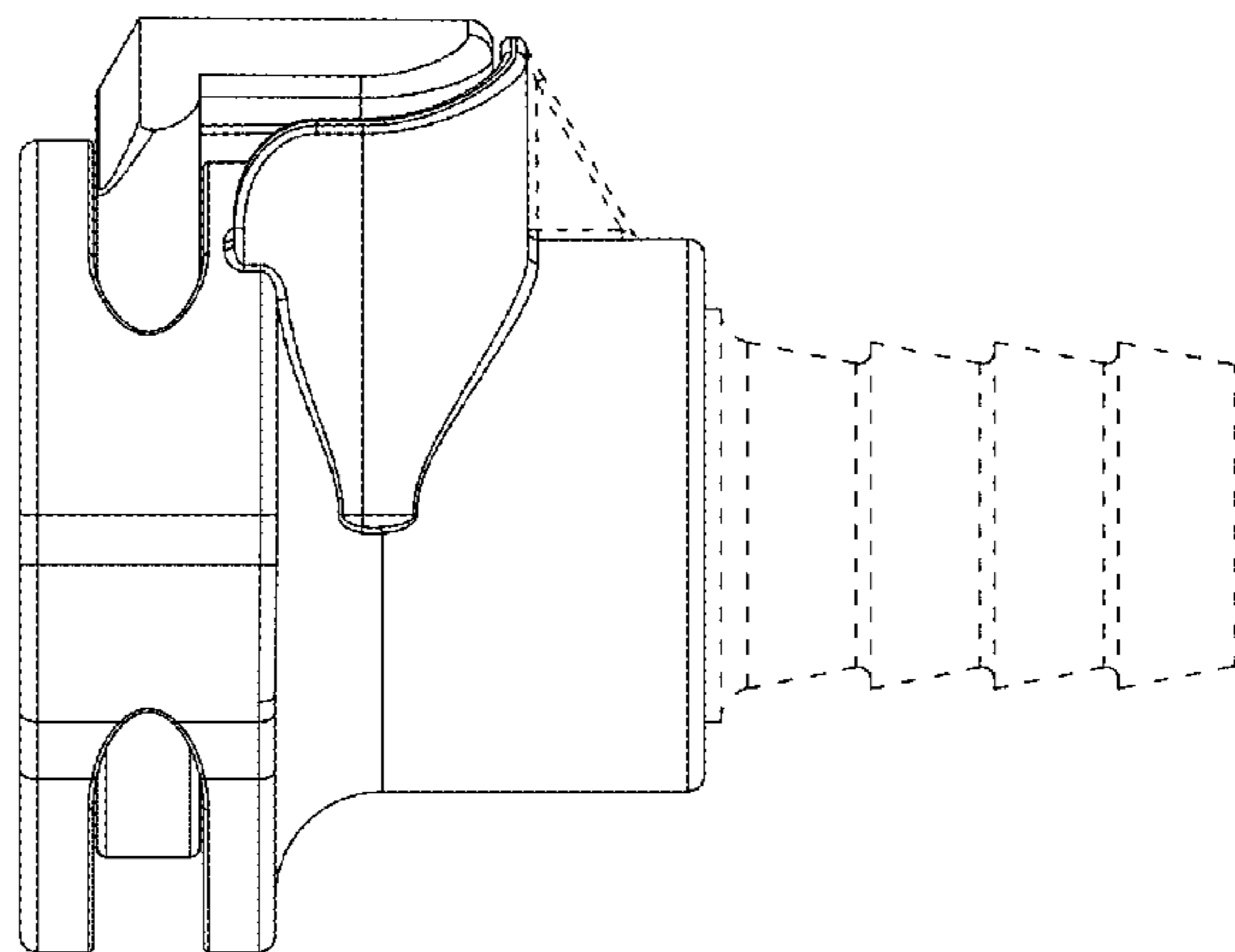
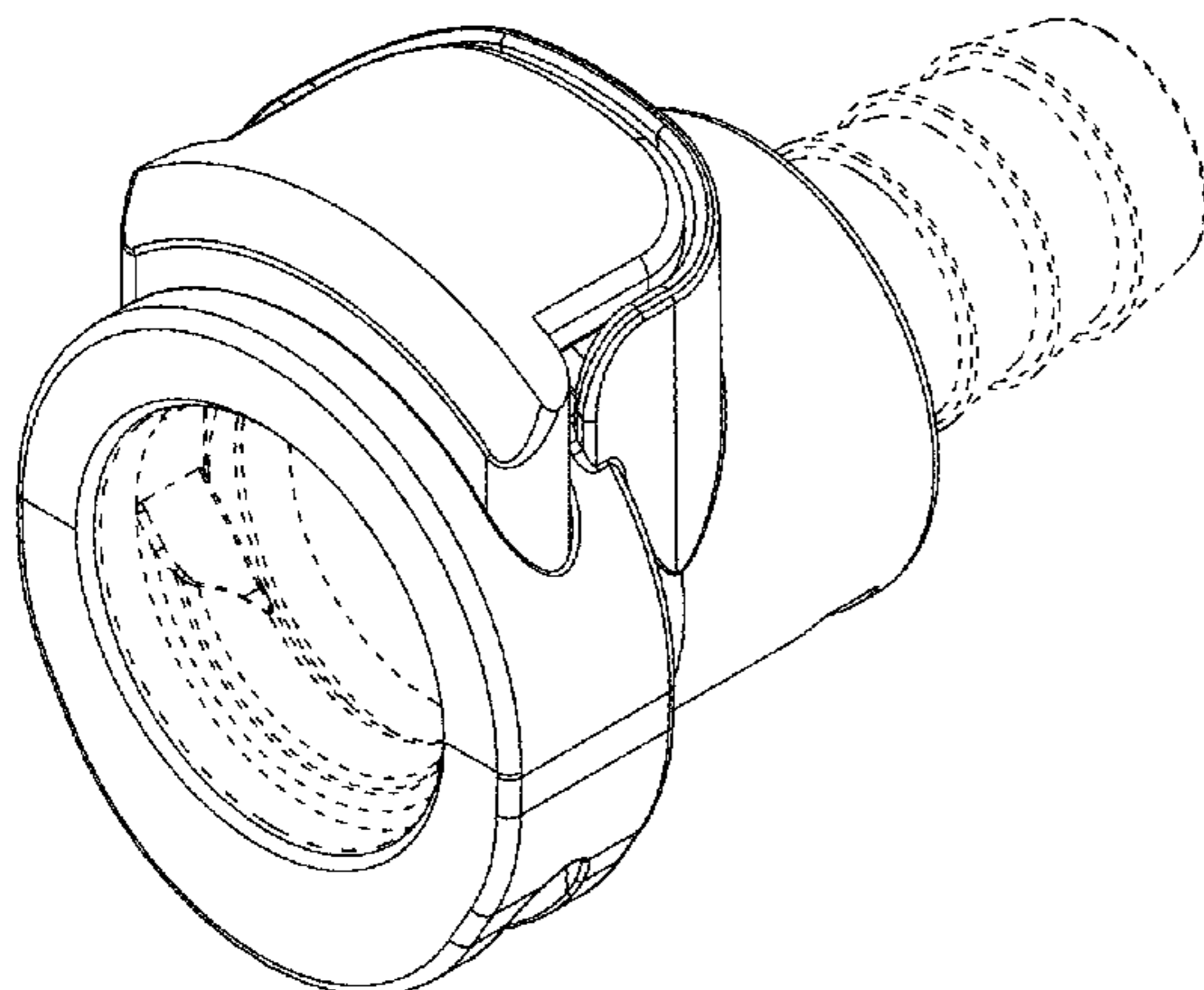
(57) **CLAIM**

The ornamental design for a coupling, as shown and described.

**DESCRIPTION**

FIG. 1 is perspective view of the coupling.  
FIG. 2 is a side view of the coupling.  
FIG. 3 is an end view of the coupling; and,  
FIG. 4 is a top view of the coupling.  
The broken lines depict portions of the coupling that form no part of the claim.

**1 Claim, 4 Drawing Sheets**



(56)

**References Cited**

U.S. PATENT DOCUMENTS

D638,933 S \* 5/2011 Hill ..... D24/129  
 D639,398 S \* 6/2011 Wilhelm ..... D23/262  
 D642,244 S \* 7/2011 Wilhelm ..... D23/262  
 D654,573 S \* 2/2012 Lombardi ..... D23/262  
 8,256,743 B2 9/2012 Tiberghien et al.  
 D679,784 S \* 4/2013 Meyer ..... D23/262  
 D687,528 S \* 8/2013 Meyer ..... D23/262  
 8,764,068 B2 \* 7/2014 Frick ..... F16L 37/0841  
 285/308  
 D724,703 S \* 3/2015 Downs ..... D23/262  
 D742,508 S \* 11/2015 Row ..... D24/129  
 2003/0132631 A1 7/2003 Nagata  
 2004/0089301 A1 \* 5/2004 Choi ..... A45F 3/06  
 128/203.29  
 2005/0001425 A1 \* 1/2005 deCler ..... F16L 37/0841  
 285/305  
 2005/0012330 A1 1/2005 Schmidt  
 2007/0025811 A1 \* 2/2007 Wilhelm ..... F16L 37/34  
 403/300

2010/0019487 A1 \* 1/2010 deCler ..... F16L 37/0841  
 285/308  
 2010/0276922 A1 11/2010 Rehder  
 2013/0092271 A1 \* 4/2013 Downs ..... F16L 37/0841  
 137/798  
 2014/0060675 A1 \* 3/2014 Wilhelm ..... A45F 3/00  
 137/561 R

FOREIGN PATENT DOCUMENTS

EP 0200561 11/1986  
 WO WO 2008008392 1/2008

OTHER PUBLICATIONS

Colder Products Company, Product Line Overview, "Quick Couplings and Fittings for Plastic Tubing," 2004, 5 pages.  
 International Search Report and Written Opinion in Application No. PCT/US2012/059958, dated Jan. 18, 2013, 11 pages.

\* cited by examiner

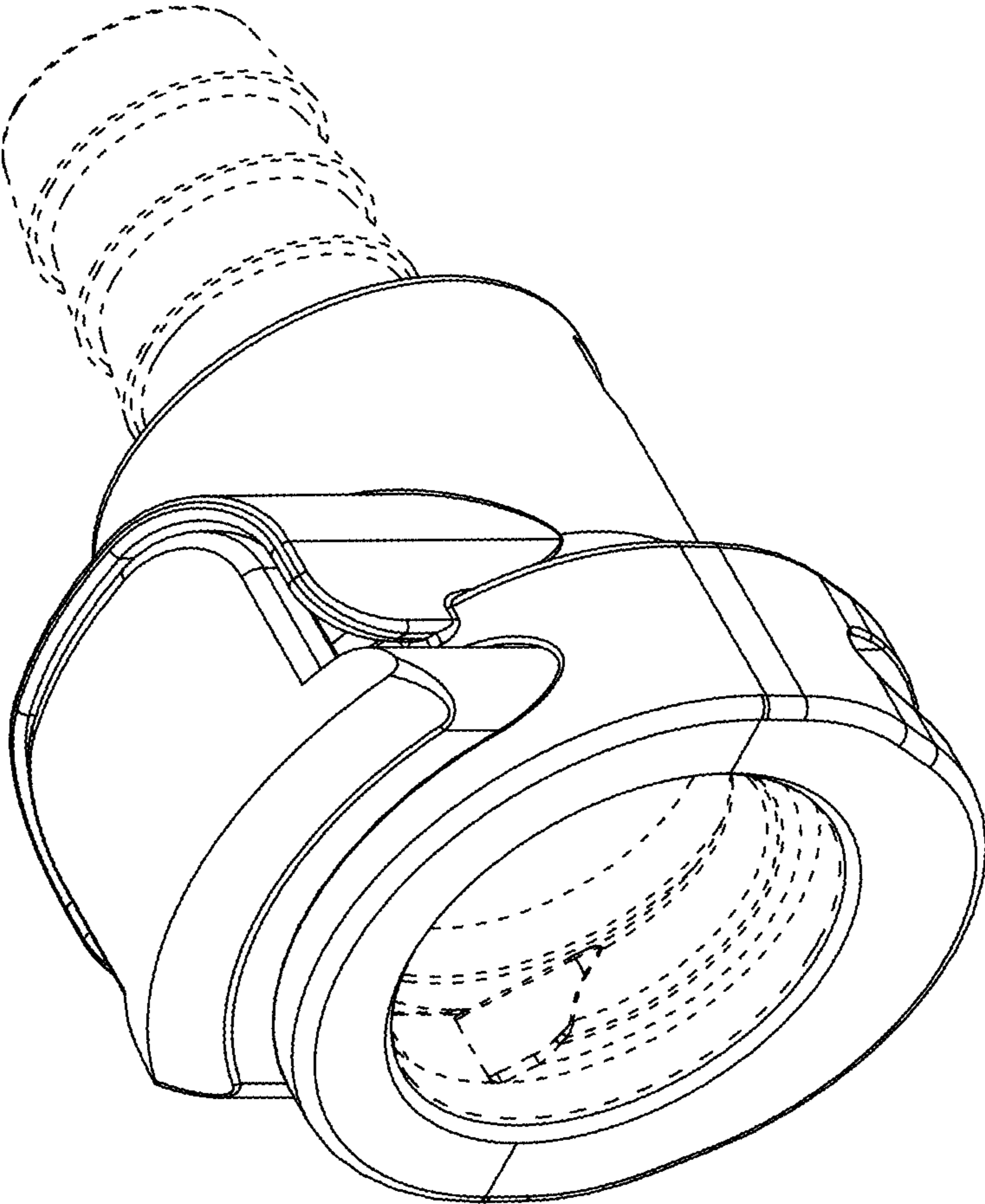


FIG. 1

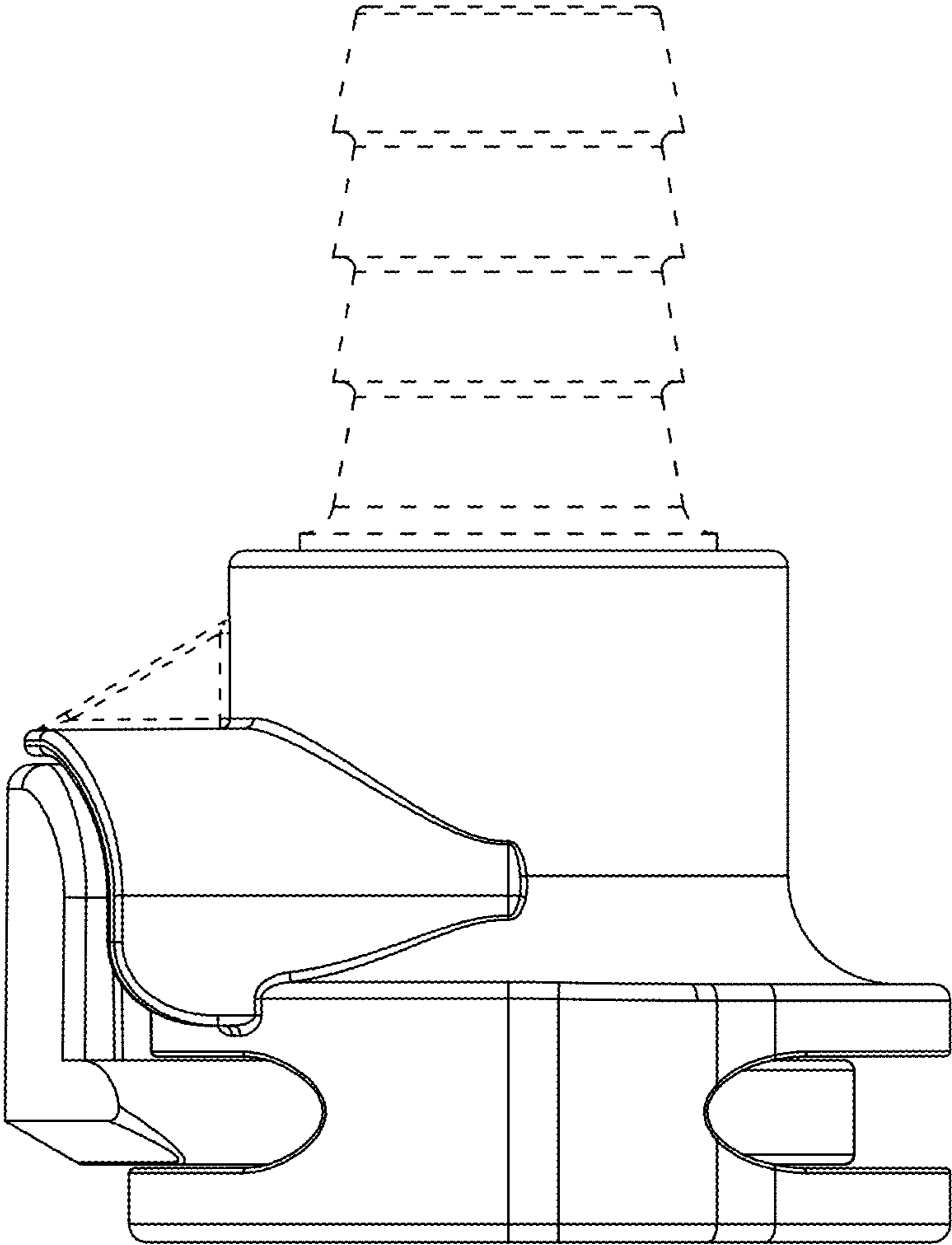
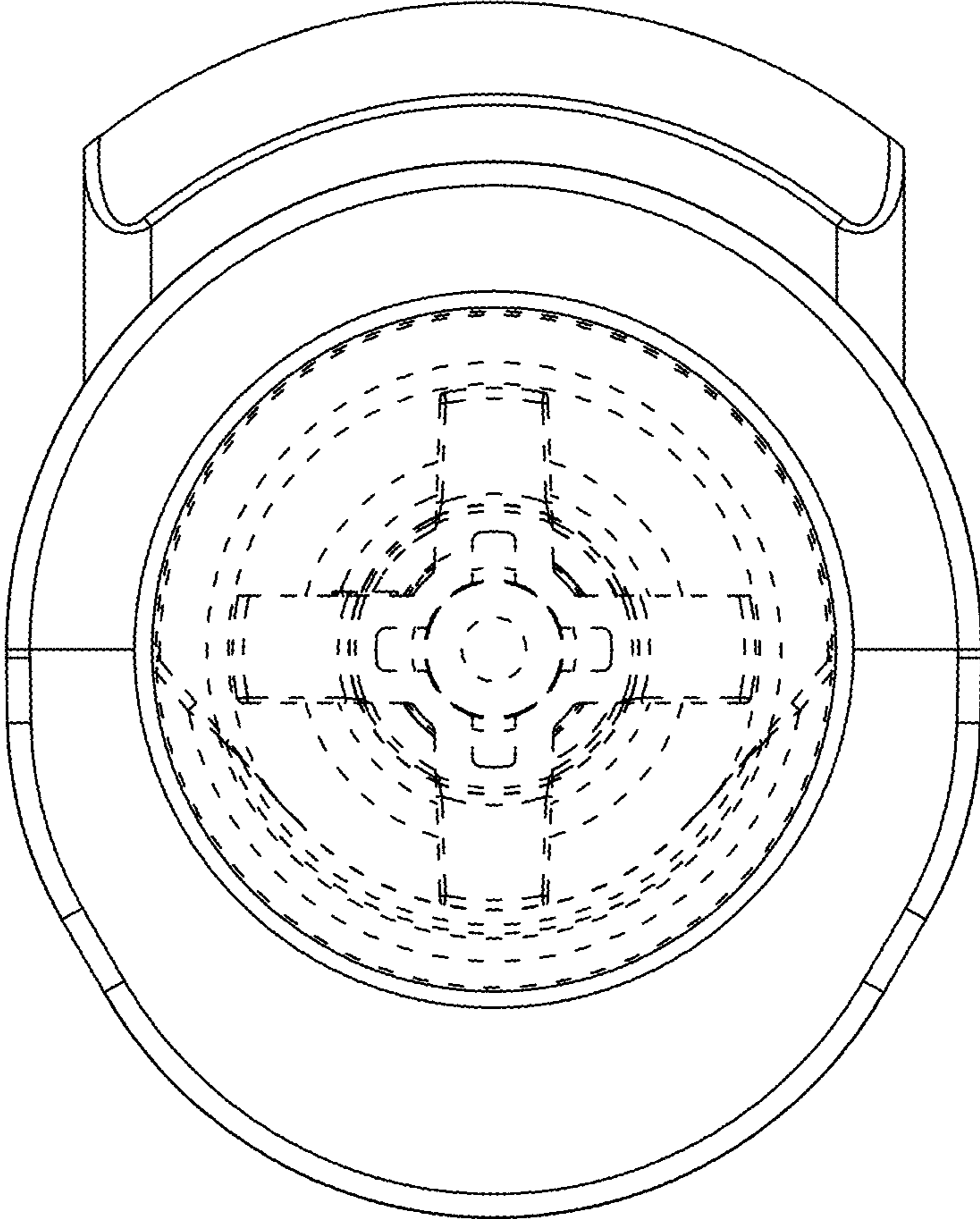


FIG. 2

FIG. 3



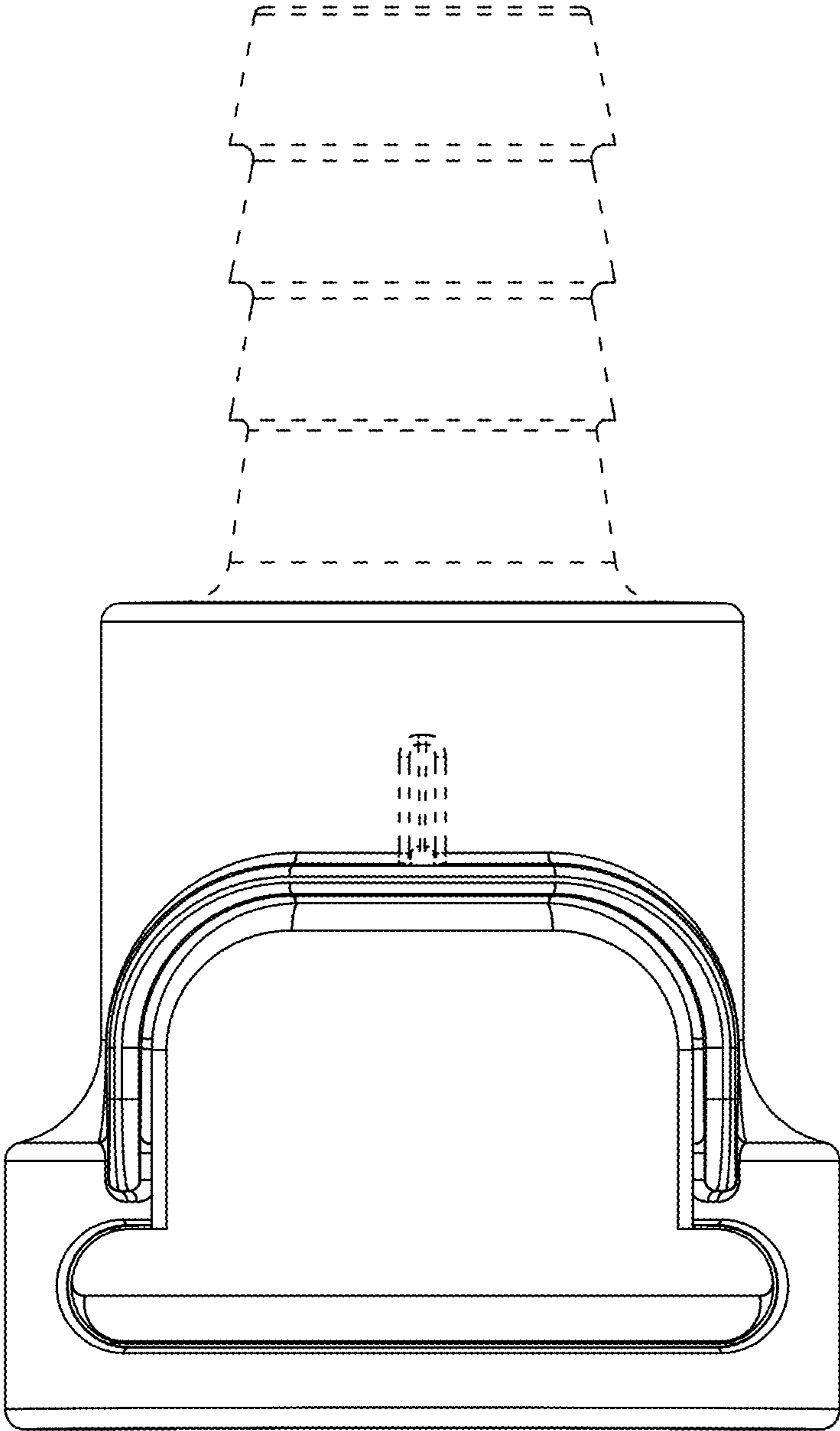


FIG. 4