



US00D788887S

(12) **United States Design Patent**
Ball et al.

(10) **Patent No.:** **US D788,887 S**
(45) **Date of Patent:** **** Jun. 6, 2017**

- (54) **HYDRANT ENCLOSURE**
- (71) Applicant: **WCM Industries, Inc.**, Colorado Springs, CO (US)
- (72) Inventors: **William T. Ball**, Colorado Springs, CO (US); **Eric Pilarczyk**, Colorado Springs, CO (US)
- (73) Assignee: **WCM Industries, Inc.**, Colorado Springs, CO (US)
- (**) Term: **15 Years**
- (21) Appl. No.: **29/570,362**
- (22) Filed: **Jul. 7, 2016**

- D245,255 S 8/1977 Porter
 - 4,178,956 A * 12/1979 Fillman E03B 9/02
137/302
 - D275,616 S 9/1984 Gray
 - D283,204 S 4/1986 McDonald
 - D285,824 S 9/1986 Anderson
 - D318,718 S 7/1991 Blatt
 - 5,964,246 A 10/1999 Meeker
 - D482,431 S * 11/2003 Ball D23/234
 - 6,752,167 B1 6/2004 Stanaland et al.
 - 6,948,512 B2 9/2005 McKeague
 - D578,209 S 10/2008 Schurg et al.
 - D612,465 S 3/2010 Salser et al.
 - D614,736 S 4/2010 Freiler
 - 8,042,565 B2 10/2011 Ball et al.
- (Continued)

Related U.S. Application Data

- (60) Division of application No. 29/529,465, filed on Jun. 8, 2015, which is a continuation of application No. 14/317,627, filed on Jun. 27, 2014.
- (51) **LOC (10) Cl.** **23-01**
- (52) **U.S. Cl.**
USPC **D23/259**
- (58) **Field of Classification Search**
USPC D23/233-237, 244-249, 259, 262-265,
D23/499
CPC E03D 11/16; F16K 27/12; F16K 27/067;
F16K 1/00; F16K 35/10; F16L 27/04;
F16L 39/00; F16L 33/225; F16L 23/18;
E03B 9/02; E21B 33/047
See application file for complete search history.

References Cited

U.S. PATENT DOCUMENTS

- D180,010 S 4/1957 Britton
- D216,791 S 3/1970 Woodford
- D228,554 S 10/1973 Magorien
- 3,952,770 A 4/1976 Botnick

OTHER PUBLICATIONS

U.S. Appl. No. 29/519,957, filed Mar. 9, 2015, Ball et al.
(Continued)

Primary Examiner — Eric Goodman
Assistant Examiner — Amy Wierenga
(74) *Attorney, Agent, or Firm* — Sheridan Ross P.C.

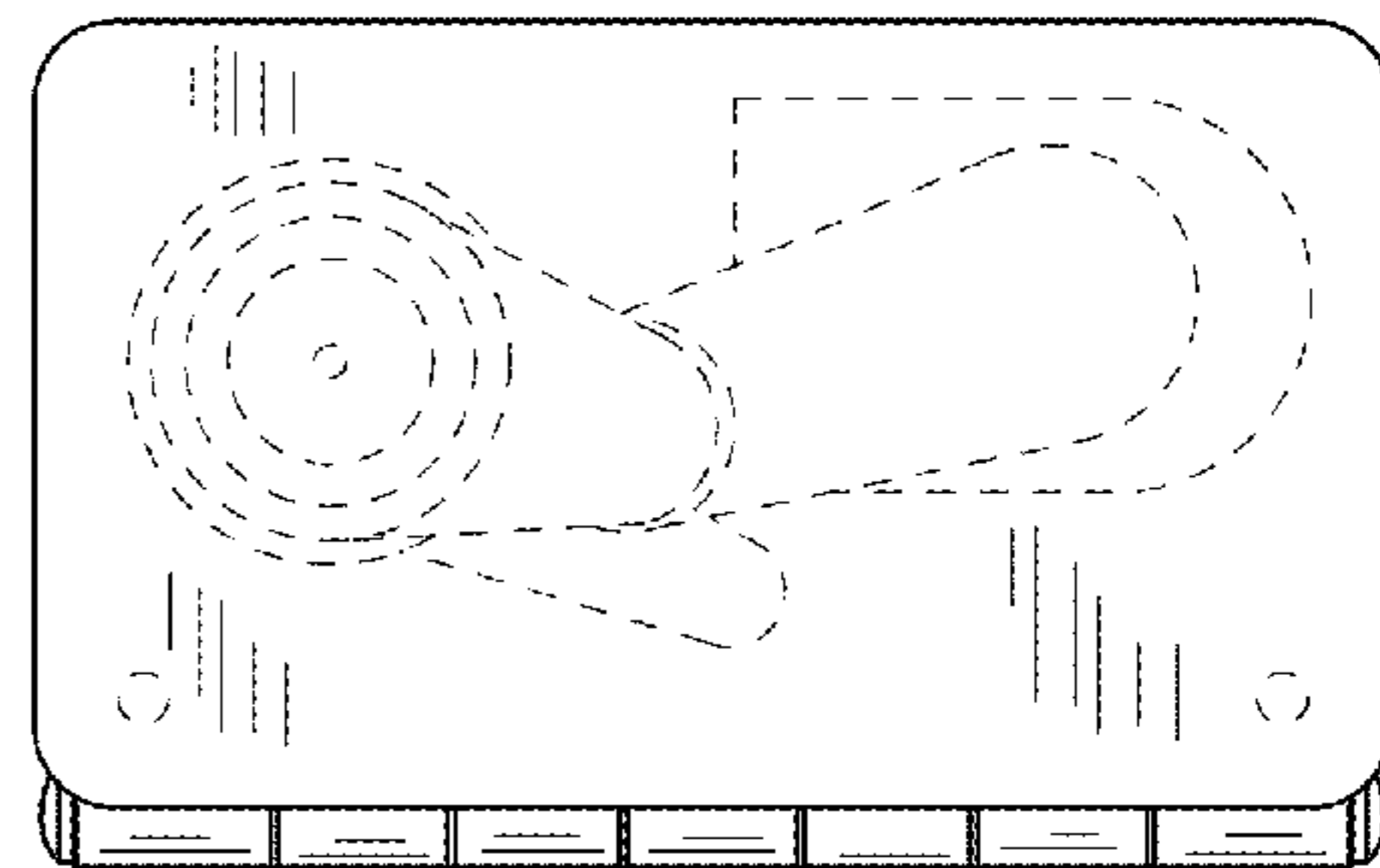
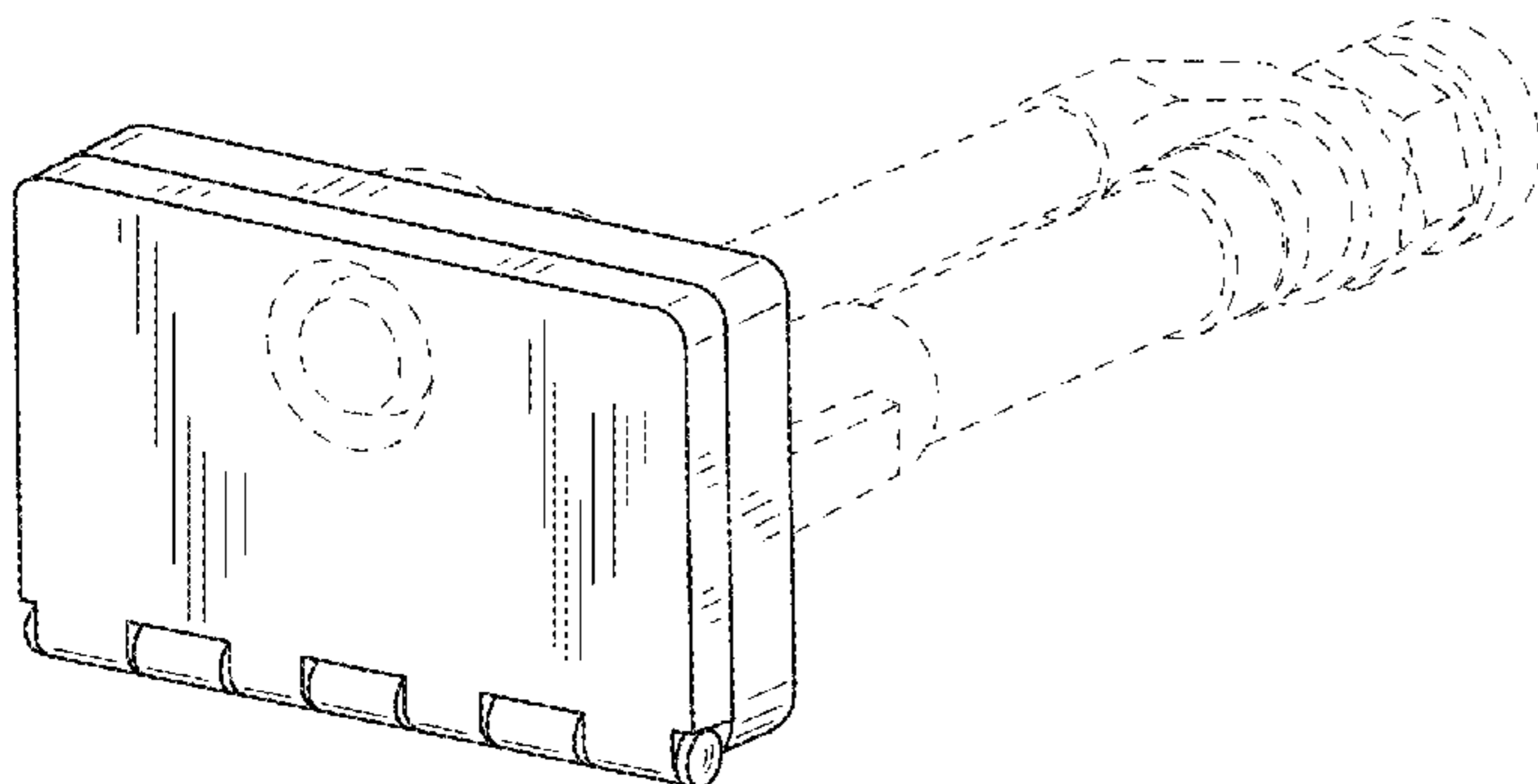
(57) **CLAIM**

The ornamental design for a hydrant enclosure, as shown and described.

DESCRIPTION

FIG. 1 is a perspective view of the hydrant enclosure showing the new design;
FIG. 2 is a front elevation view thereof;
FIG. 3 is a rear elevation view thereof;
FIG. 4 is a right elevation view thereof;
FIG. 5 is a left elevation view thereof;
FIG. 6 is a top plan view thereof; and,
FIG. 7 is a bottom plan view thereof.
The broken lines depict portions of the hydrant enclosure that form no part of the claimed design.

1 Claim, 6 Drawing Sheets



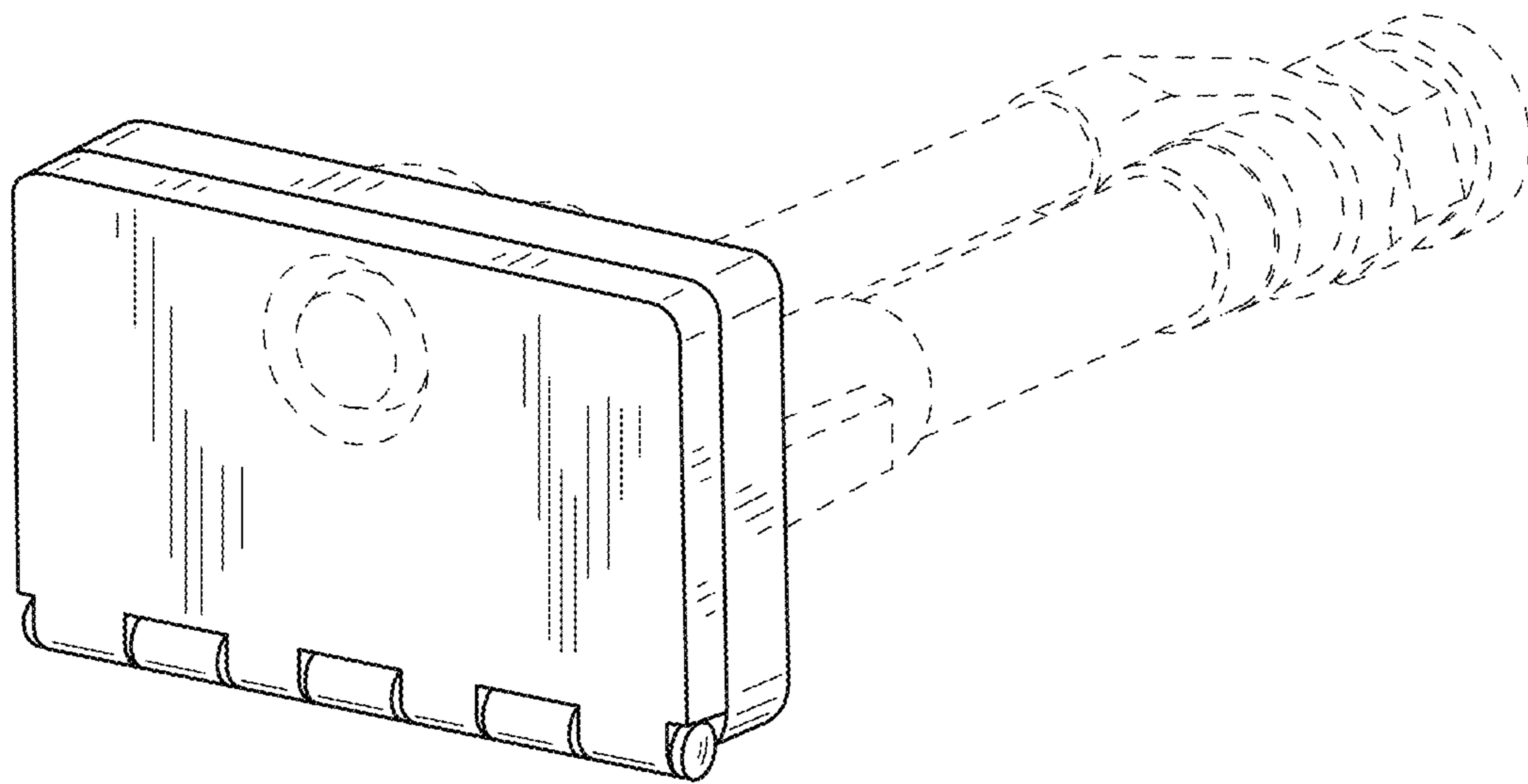


FIG.1

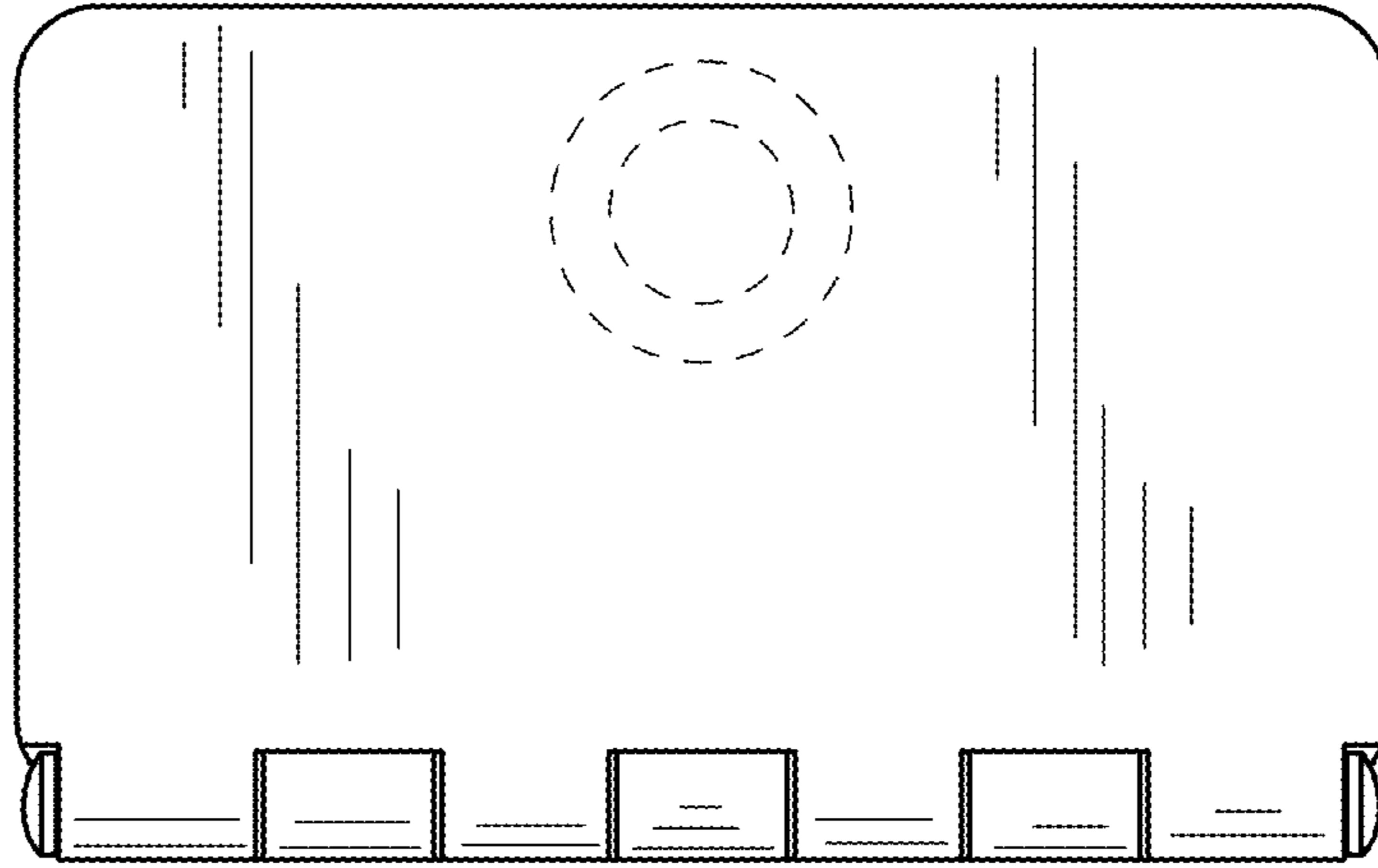


FIG. 2

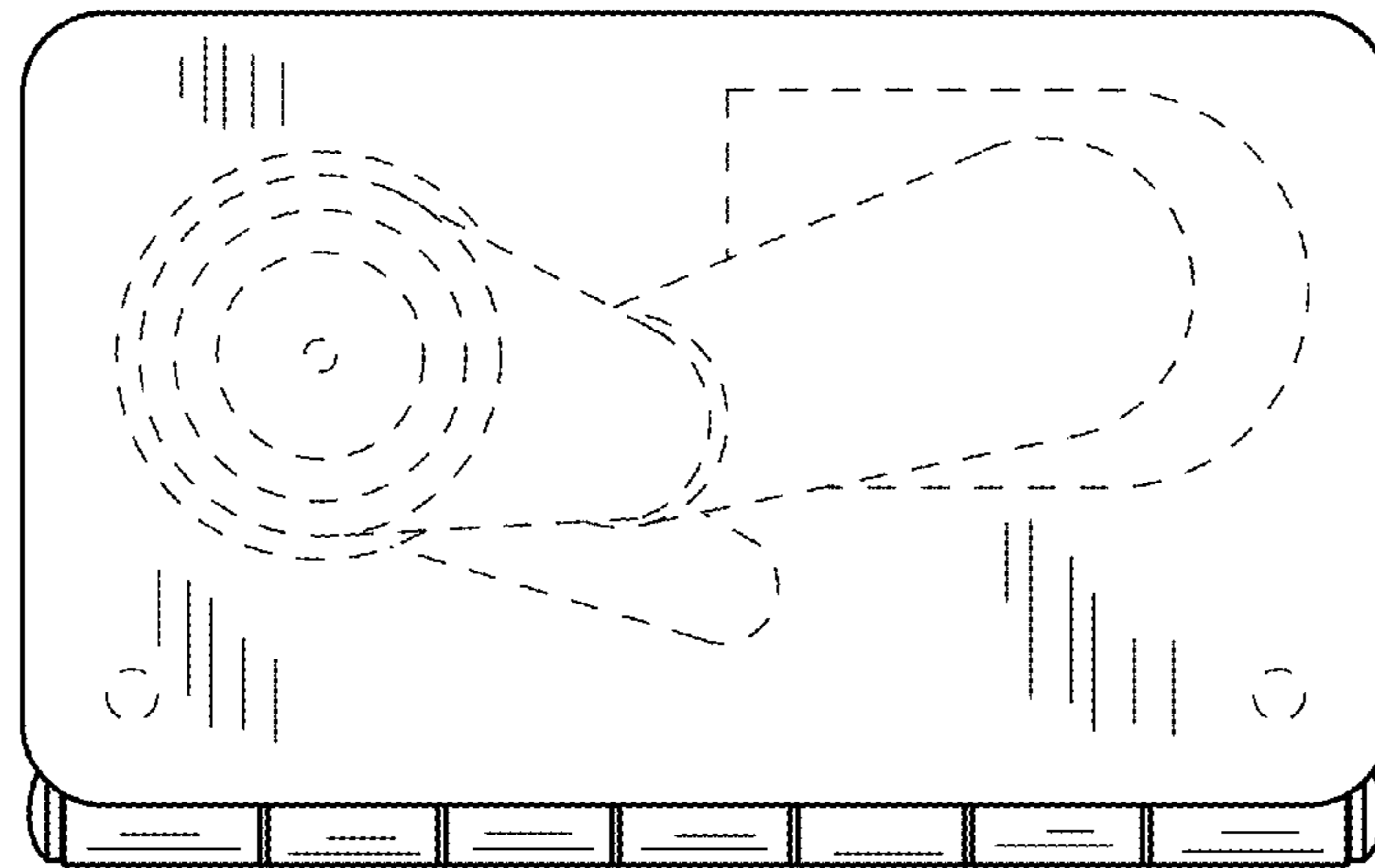


FIG. 3

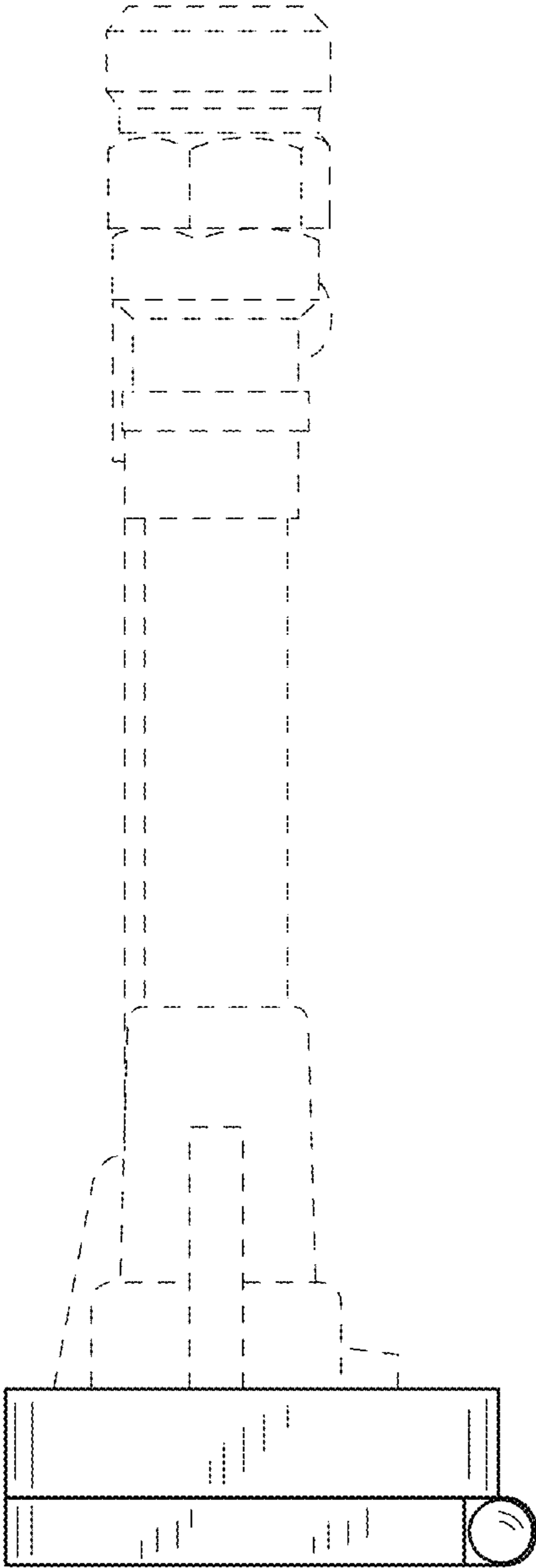


FIG.4

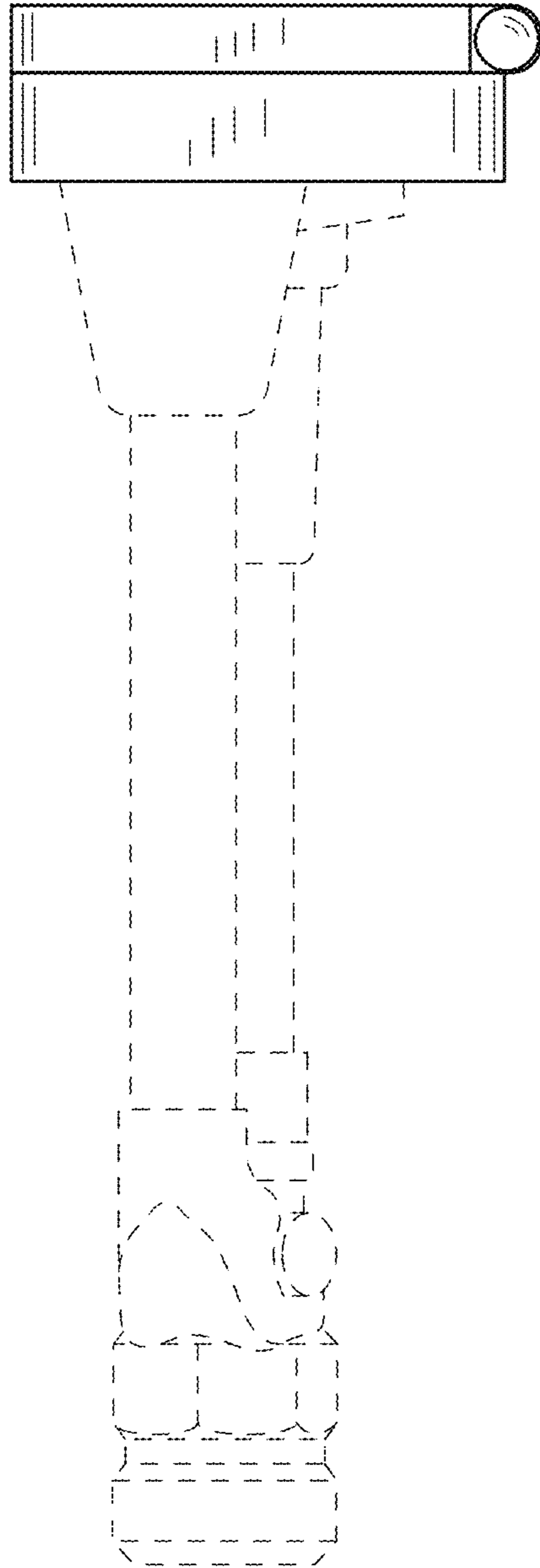


FIG.5

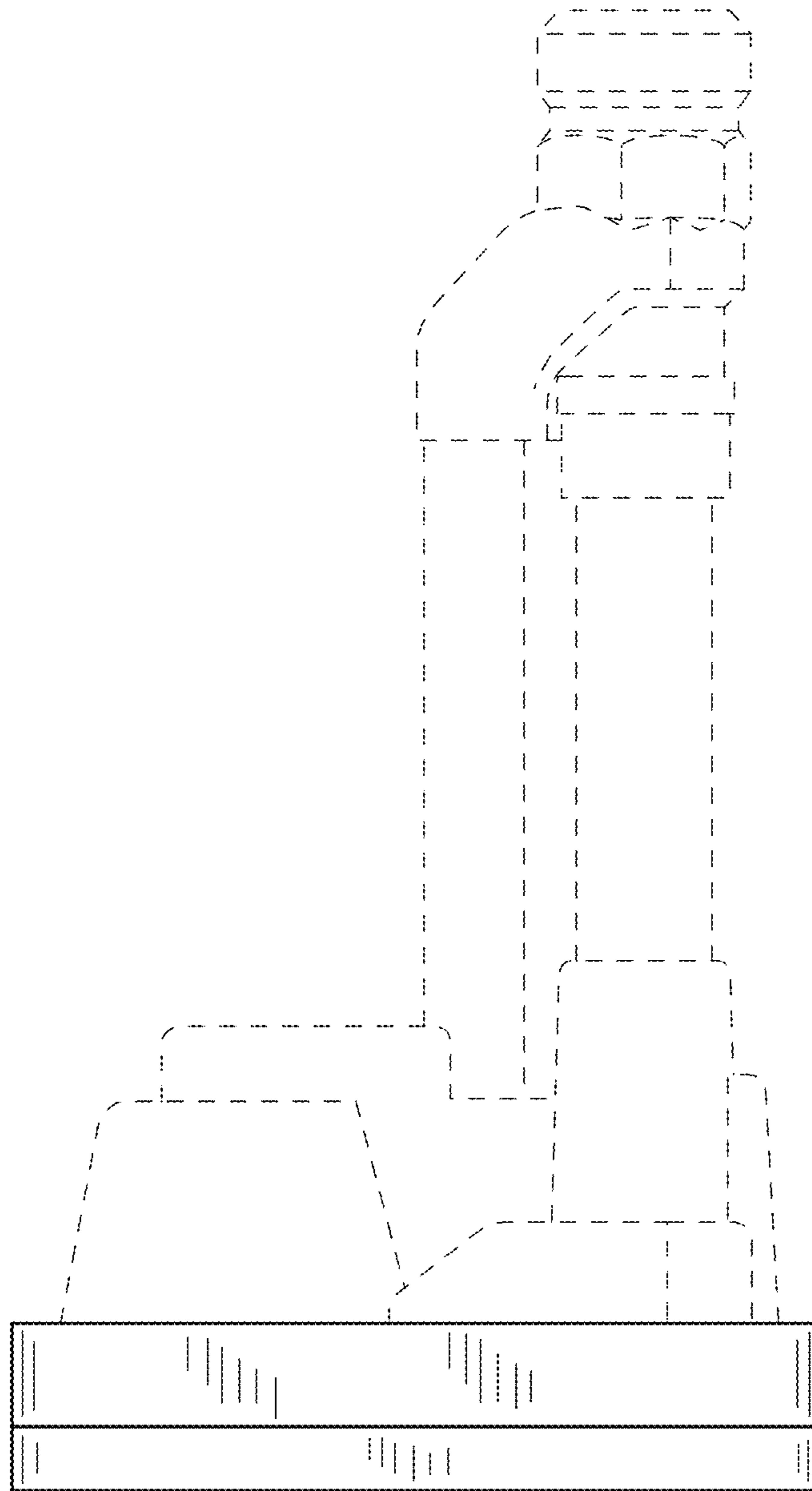


FIG.6

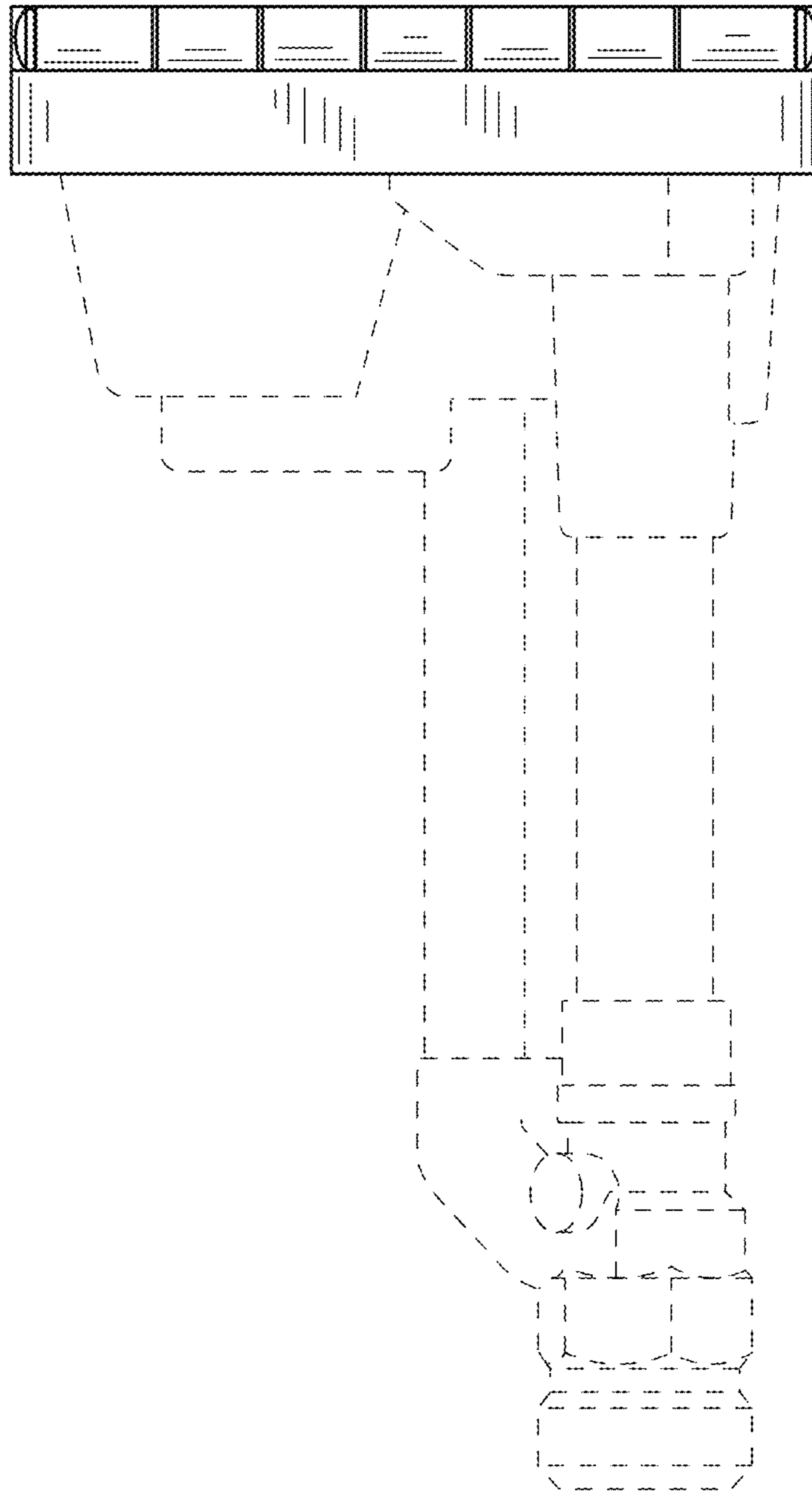


FIG.7