



US00D788886S

(12) **United States Design Patent**
Salzer

(10) **Patent No.:** **US D788,886 S**

(45) **Date of Patent:** **** Jun. 6, 2017**

(54) **PLUMBING FITTING**

(71) Applicant: **Ray Salzer**, Fife, WA (US)

(72) Inventor: **Ray Salzer**, Fife, WA (US)

(**) Term: **15 Years**

(21) Appl. No.: **29/565,814**

(22) Filed: **May 24, 2016**

(51) **LOC (10) Cl.** **23-01**

(52) **U.S. Cl.**
USPC **D23/259**

(58) **Field of Classification Search**
USPC D23/259–265, 268–269, 233; D24/129;
D8/382–383, 387, 397; 251/144, 149.1,
251/149.3, 149.6, 146–148, 150,
251/151–152; 285/11–12, 34–35, 275;
D13/133, 150–151, 154
CPC ... F16L 37/091; F16L 37/0842; F16L 37/113;
F16L 37/252; F16L 19/061; F16L 19/10;
F16L 19/0265; F16L 19/065; F16L
33/224; F16L 15/04
See application file for complete search history.

(56) **References Cited**

U.S. PATENT DOCUMENTS

D229,496 S *	12/1973	Hand	D23/262
D234,847 S *	4/1975	Hoffman	D23/262
5,393,104 A *	2/1995	Zornow	F16L 33/24 285/148.19
5,472,025 A *	12/1995	Conrad	B65B 39/007 141/331
D397,413 S *	8/1998	Sapp	D23/262
D495,404 S *	8/2004	Wilk, Jr.	D23/262
7,234,732 B2 *	6/2007	Ball	F16L 25/14 285/148.19

D710,485 S *	8/2014	Nudo	D23/262
D733,262 S *	6/2015	Kang	D23/261
2005/0134044 A1 *	6/2005	Svetlik	F16L 21/04 285/337
2013/0181445 A1 *	7/2013	Glime	F16L 15/04 285/337
2016/0230911 A1 *	8/2016	Taylor	F16L 19/061
2016/0238167 A1 *	8/2016	Hartmann	B65G 39/125

* cited by examiner

Primary Examiner — Eric Goodman

Assistant Examiner — Amy Wierenga

(74) *Attorney, Agent, or Firm* — Seed IP Law Group LLP

(57) **CLAIM**

The ornamental design for a plumbing fitting, substantially as shown and described.

DESCRIPTION

FIG. 1 is a top isometric view of a plumbing fitting, showing my new design.

FIG. 2 is a bottom isometric view thereof.

FIG. 3 is a top plan view thereof.

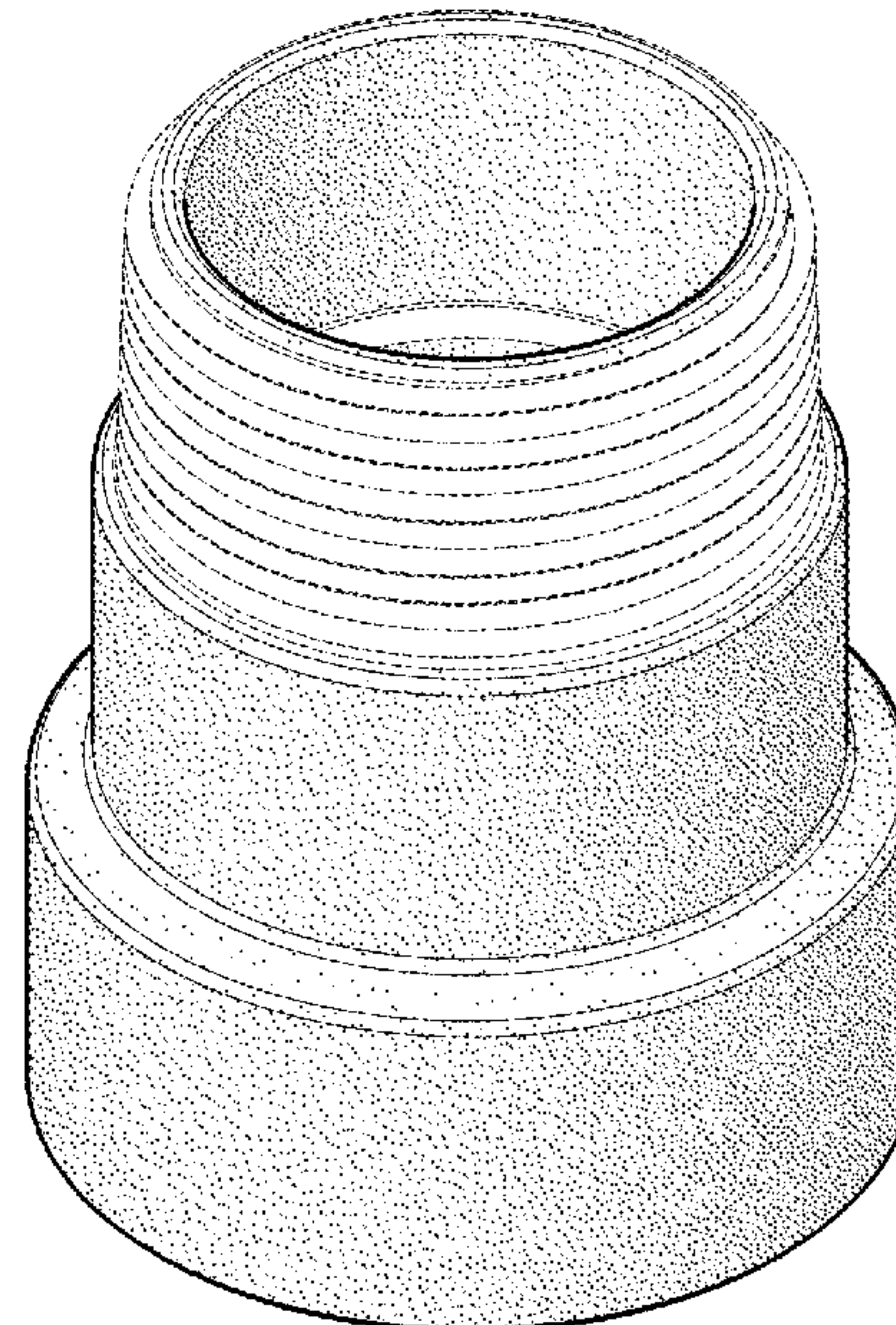
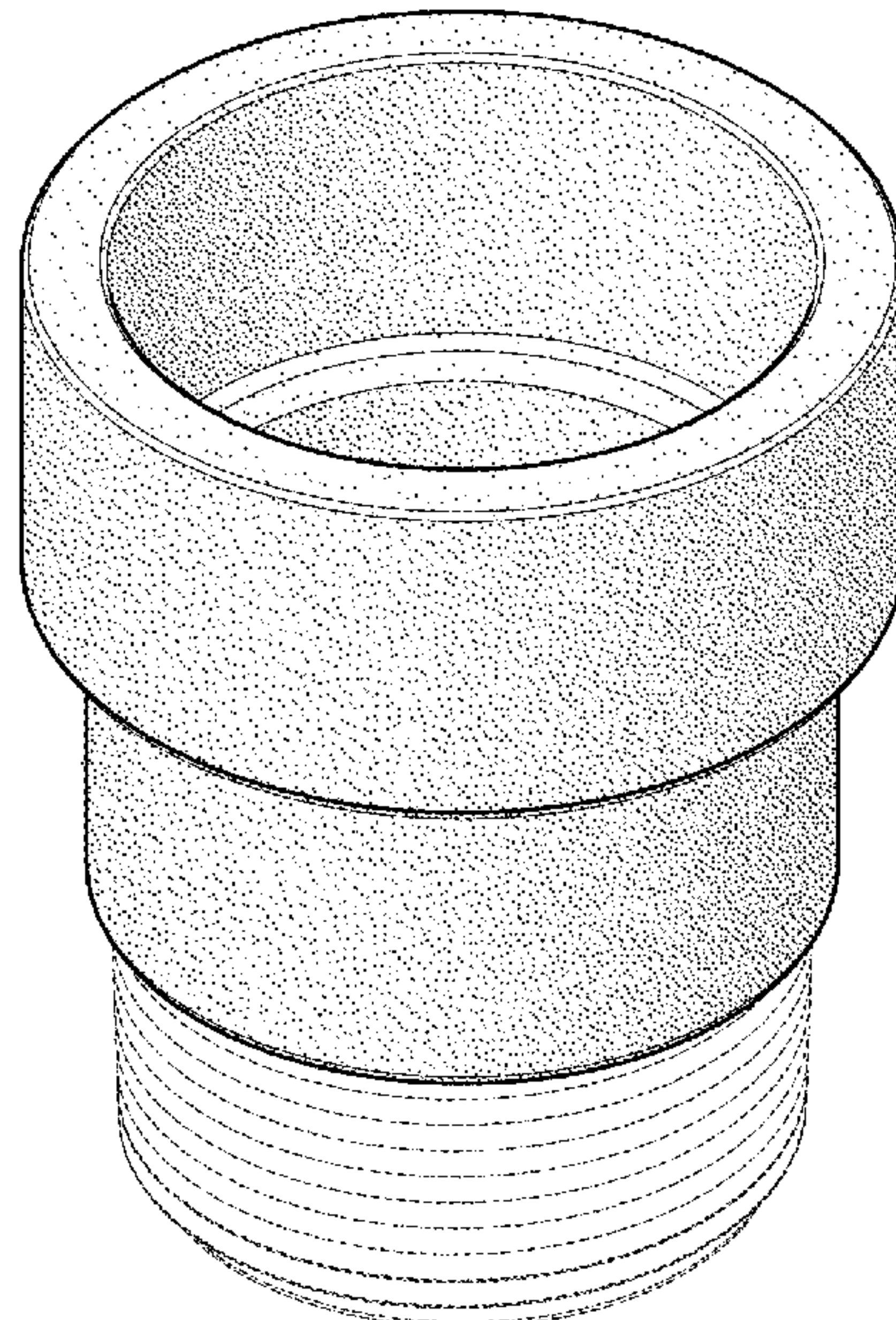
FIG. 4 is a bottom plan view thereof.

FIG. 5 is a front elevational view thereof, the back, right, and left elevational views are the same as the front elevational view; and,

FIG. 6 is a cross sectional view of the plumbing fitting along the line 6-6 of FIG. 3.

Stippling and tangent lines shown in the drawings are intended to represent the three-dimensional contour of the design, and are not intended to indicate surface decoration. The broken lines depict portions of the article that form no part of the claim.

1 Claim, 3 Drawing Sheets



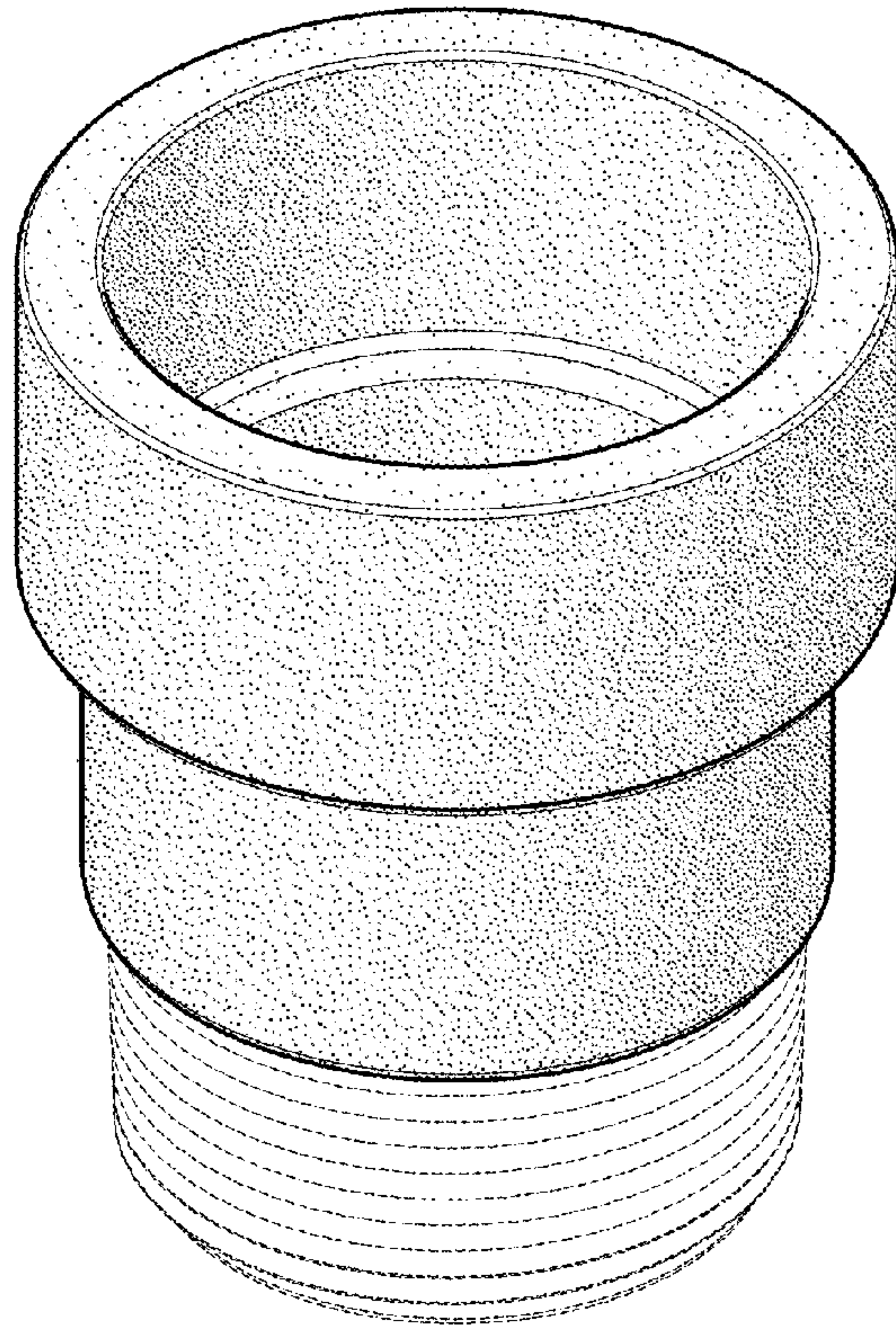


FIG. 1

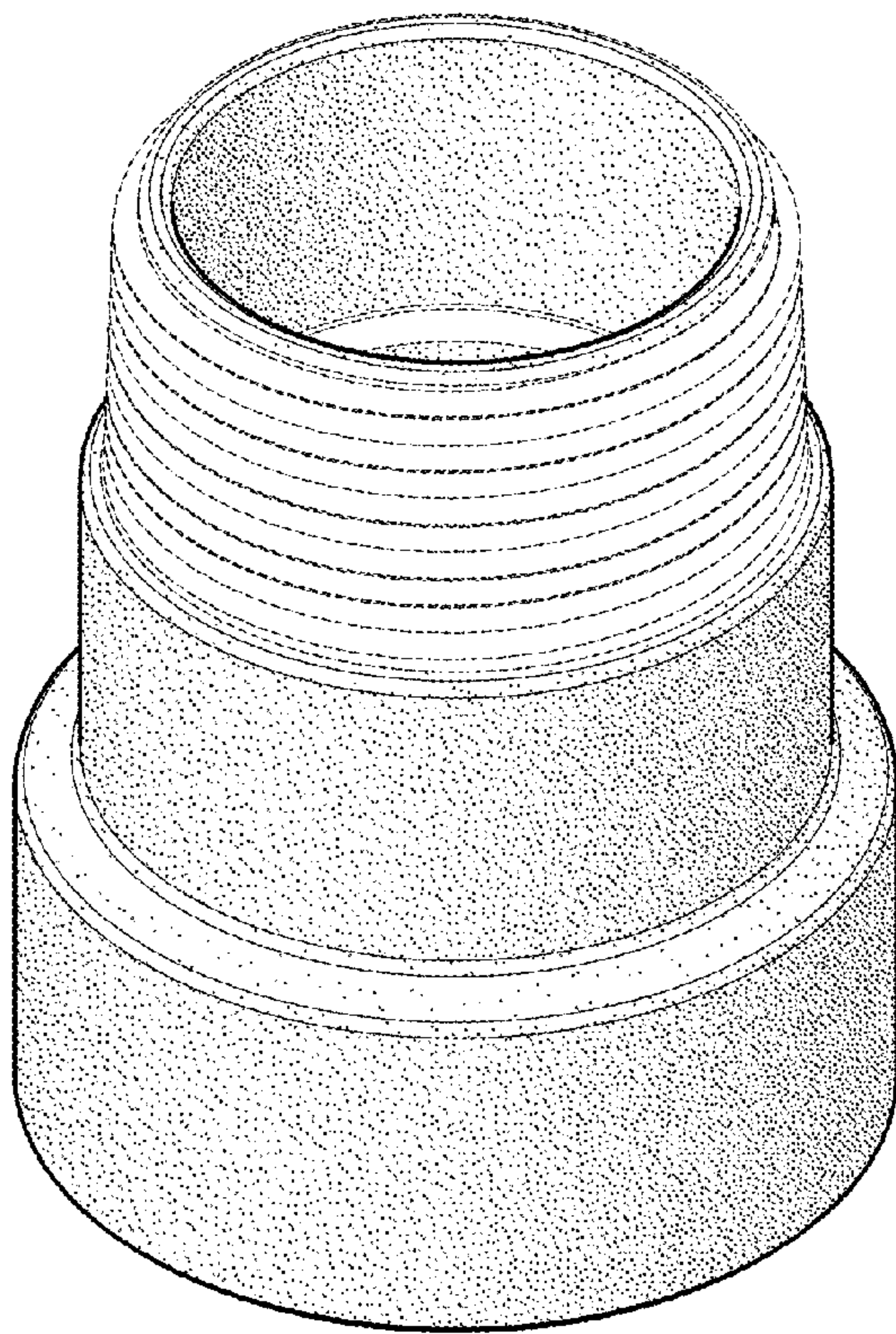


FIG. 2

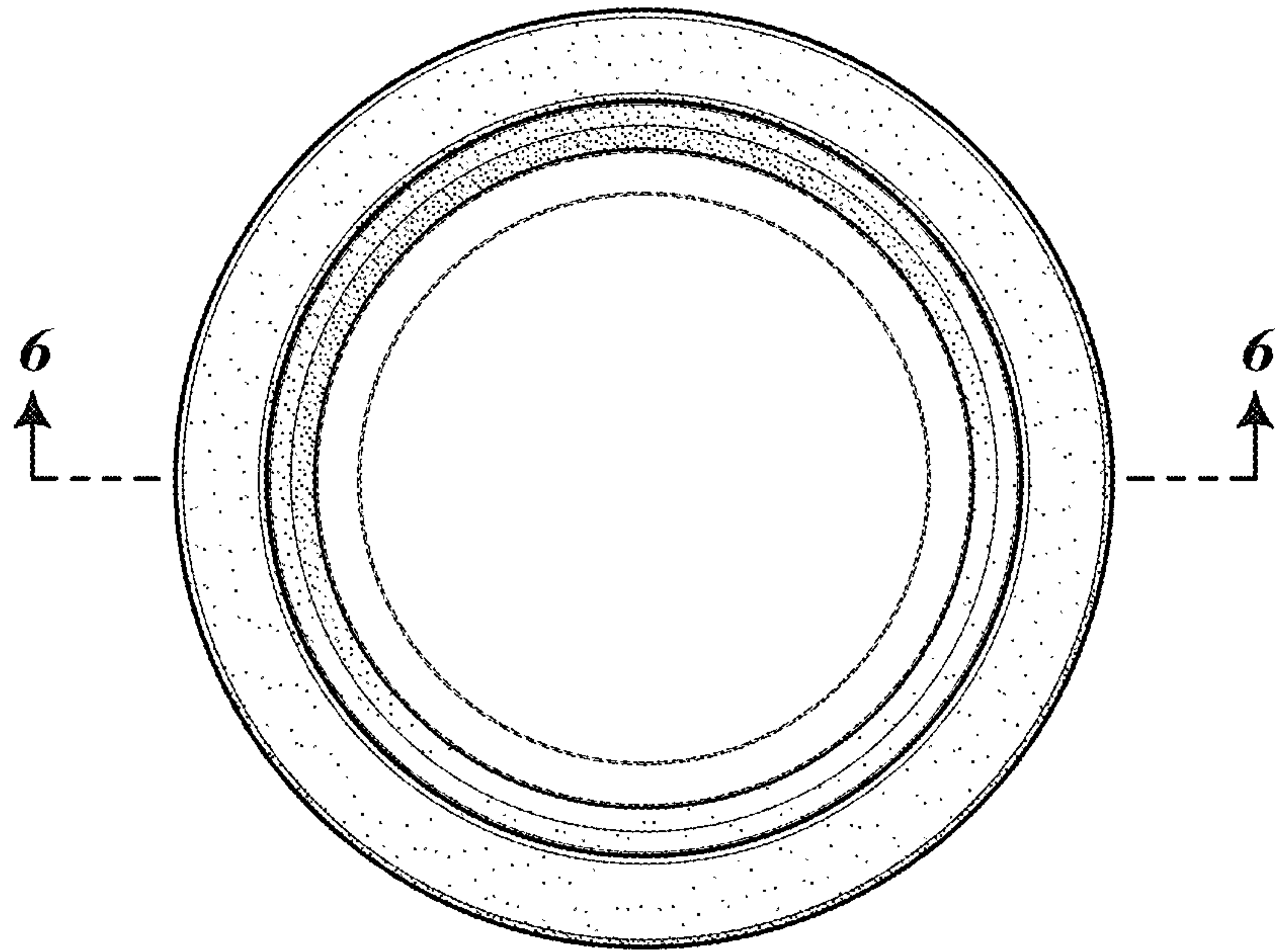


FIG. 3

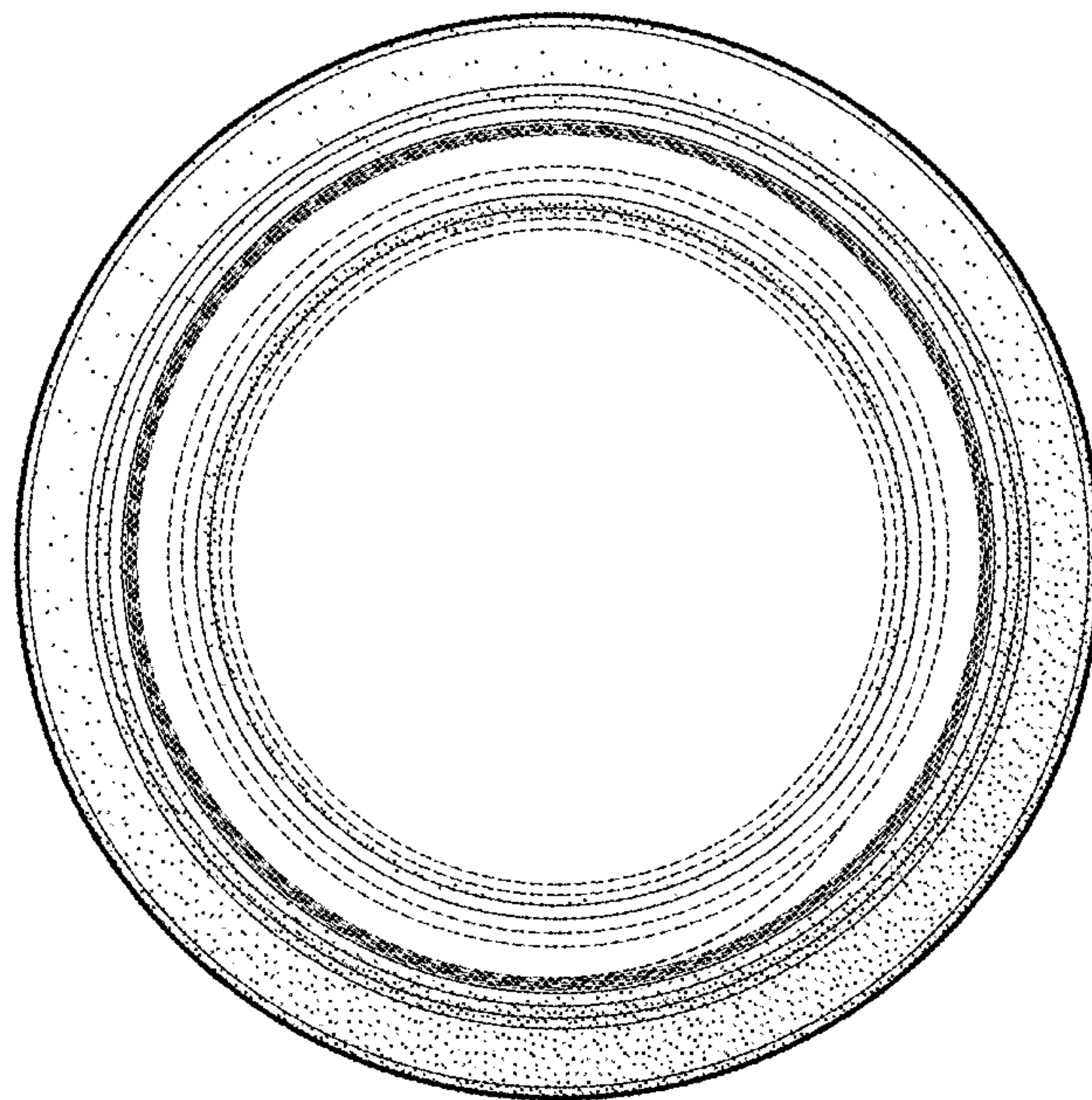


FIG. 4

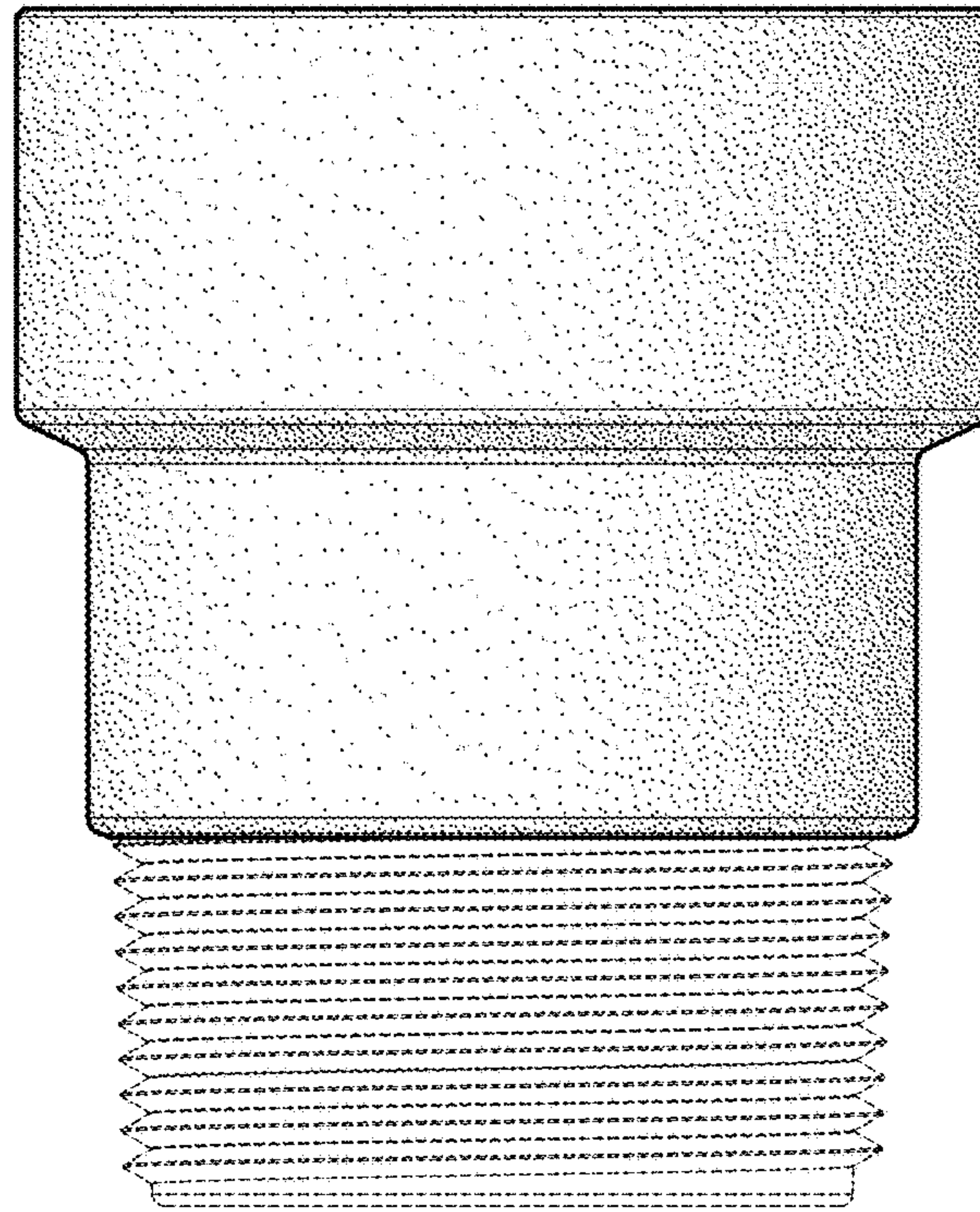


FIG. 5

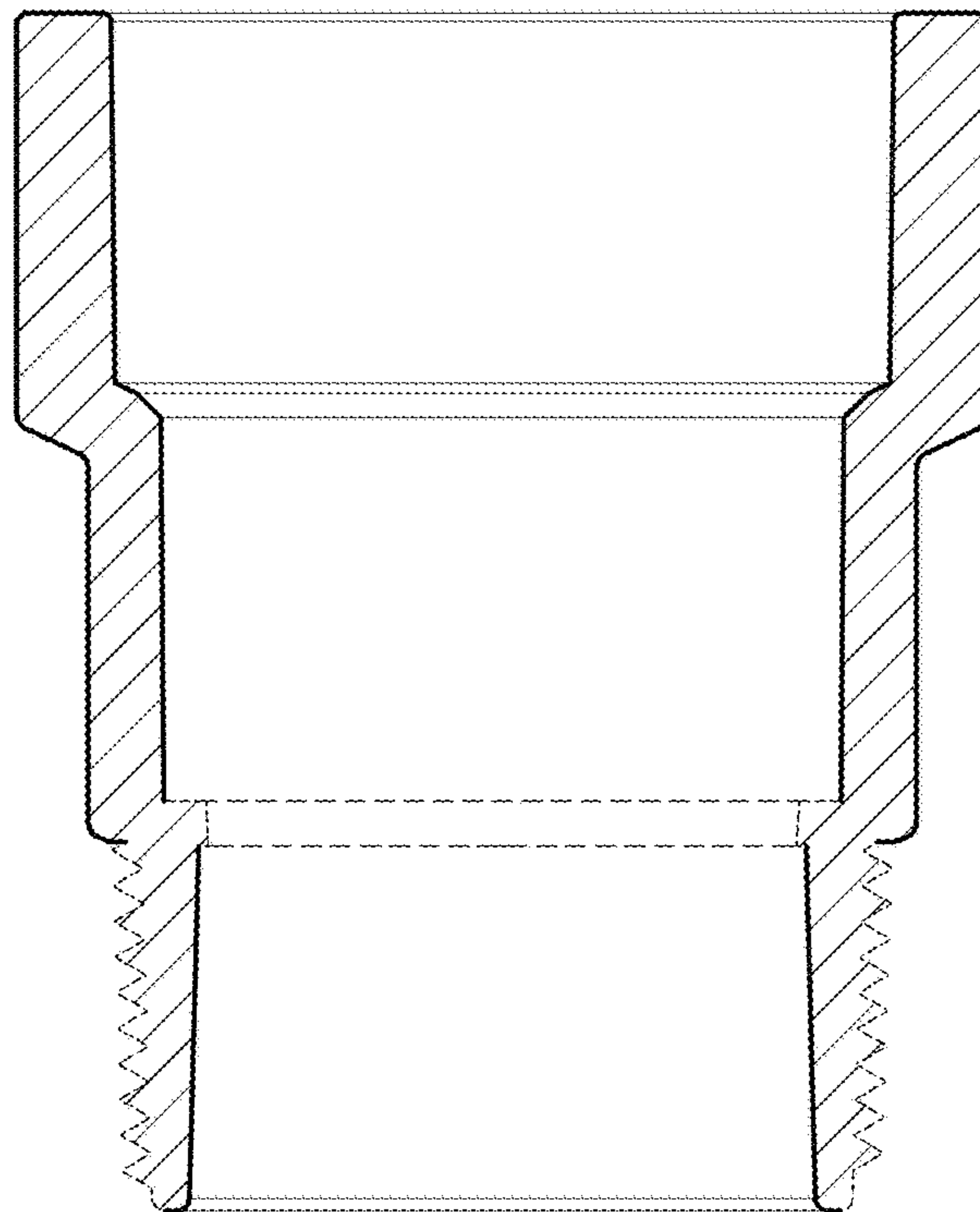


FIG. 6