



US00D788885S

(12) **United States Design Patent**
Wu

(10) **Patent No.:** **US D788,885 S**

(45) **Date of Patent:** **** Jun. 6, 2017**

(54) **FAUCET**

(71) Applicant: **Cheng-Hsuan Wu**, Lugang Township,
Changhua County (TW)

(72) Inventor: **Cheng-Hsuan Wu**, Lugang Township,
Changhua County (TW)

(**) Term: **15 Years**

(21) Appl. No.: **29/538,105**

(22) Filed: **Sep. 1, 2015**

(51) **LOC (10) Cl.** **23-01**

(52) **U.S. Cl.**
USPC **D23/241**

(58) **Field of Classification Search**
USPC D23/238-243, 249, 255, 257
CPC E03C 1/04; E03C 1/0401; E03C 1/0402;
E03C 1/0404; F16K 31/602; F16K
31/605; F16K 31/607
See application file for complete search history.

(56) **References Cited**

U.S. PATENT DOCUMENTS

D457,603 S * 5/2002 Lobermeier D23/241
D514,200 S * 1/2006 Starck D23/238

D584,798 S * 1/2009 Zetsche D23/238
D590,921 S * 4/2009 Soulier D23/255
D698,422 S * 1/2014 Schoenherr D23/238

* cited by examiner

Primary Examiner — Robert Delehanty

(74) *Attorney, Agent, or Firm* — Alan D. Kamrath;
Kamrath IP Lawfirm, P.A.

(57) **CLAIM**

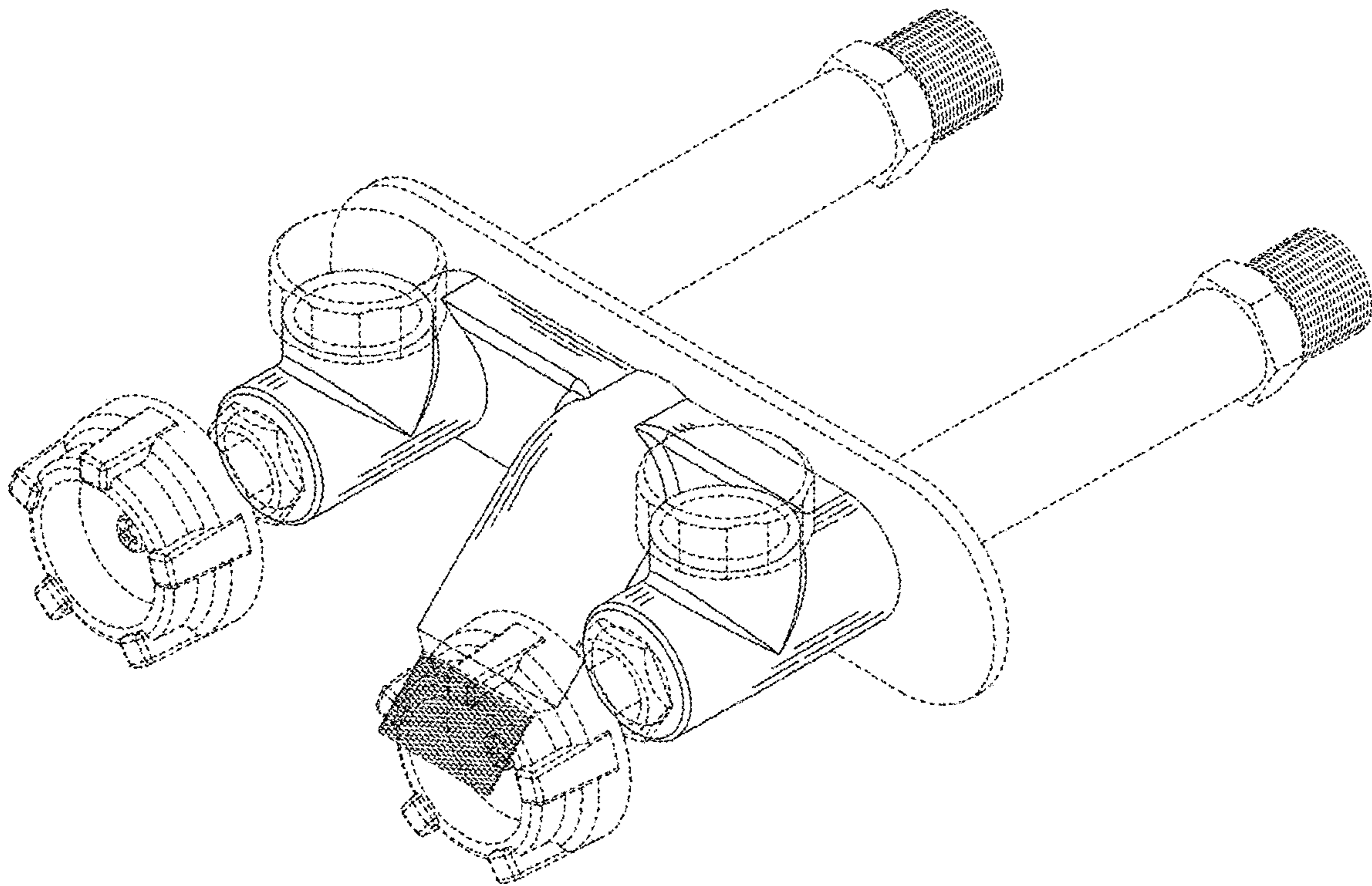
The ornamental design for a faucet, as shown and described.

DESCRIPTION

FIG. 1 is a perspective view of a faucet showing my design;
FIG. 2 is a front elevational view thereof;
FIG. 3 is a rear elevational view thereof;
FIG. 4 is a left side elevational view thereof;
FIG. 5 is a right side elevational view thereof;
FIG. 6 is a top plan view thereof; and,
FIG. 7 is a bottom plan view thereof.

The dash-dash broken lines shown in the drawings are for illustrative purposes only and form no part of the claimed design. The dash-dot broken lines shown in the drawings define the bounds of the claimed design and form no part thereof.

1 Claim, 7 Drawing Sheets



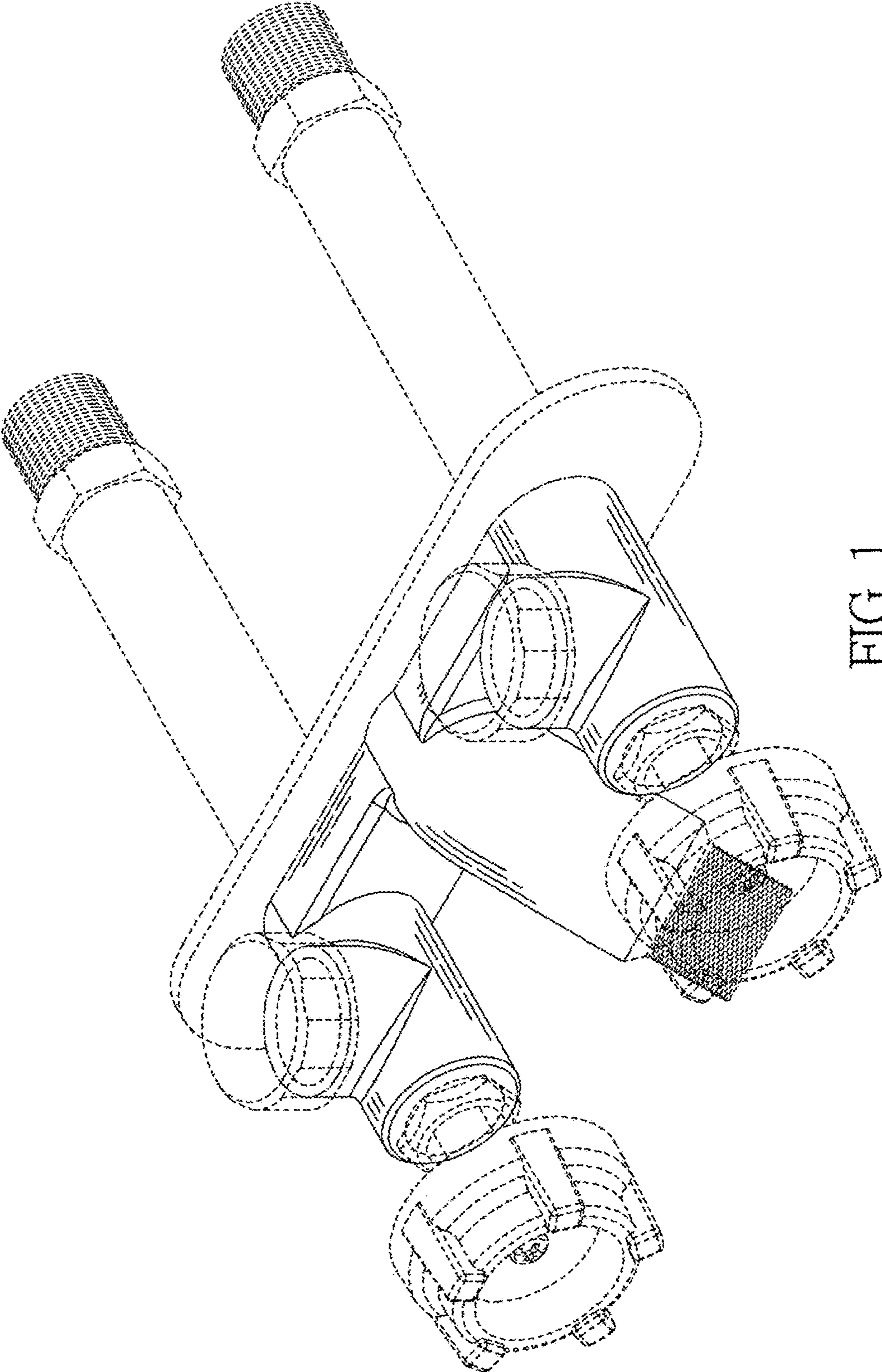


FIG. 1

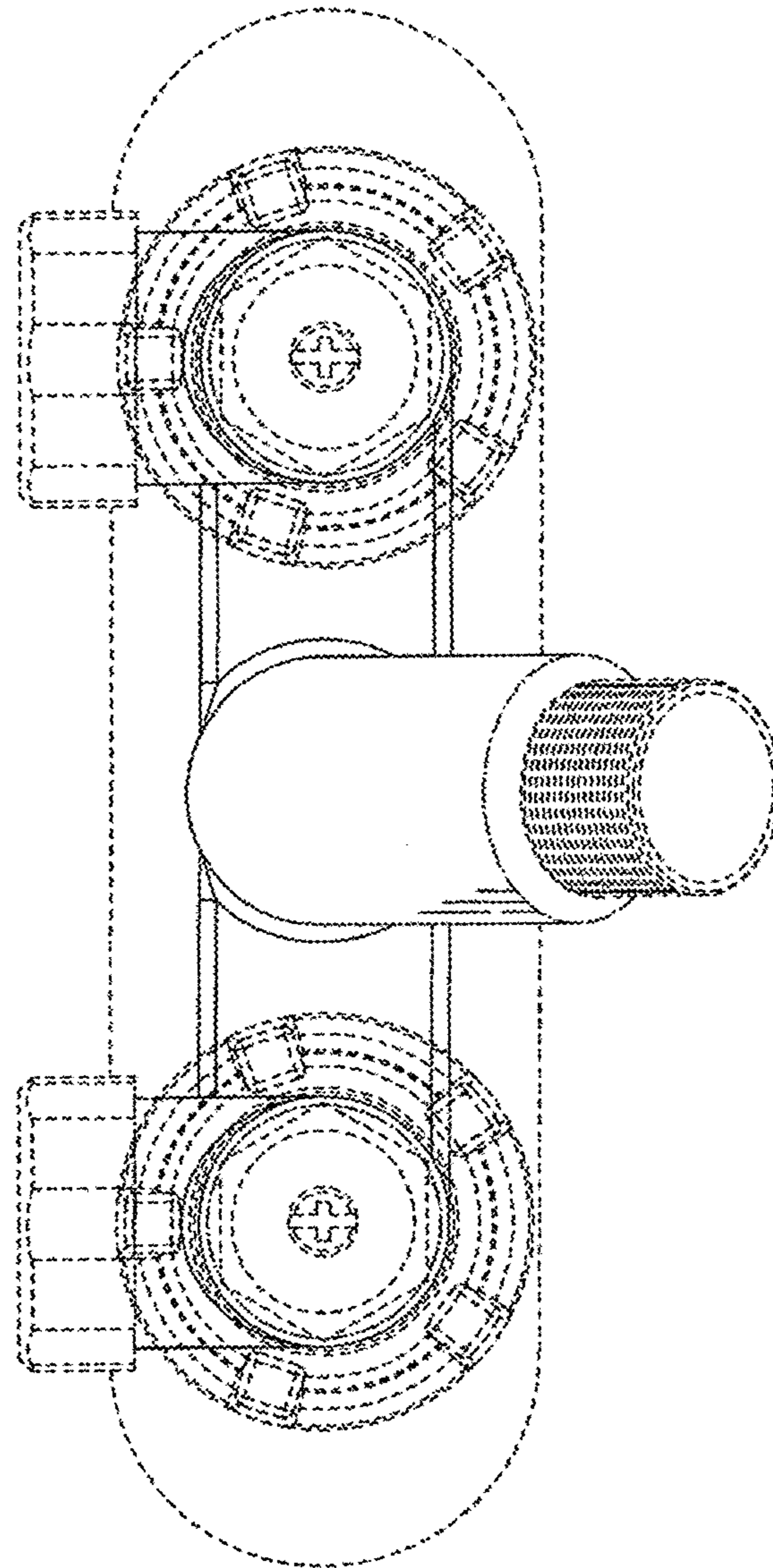


FIG. 2

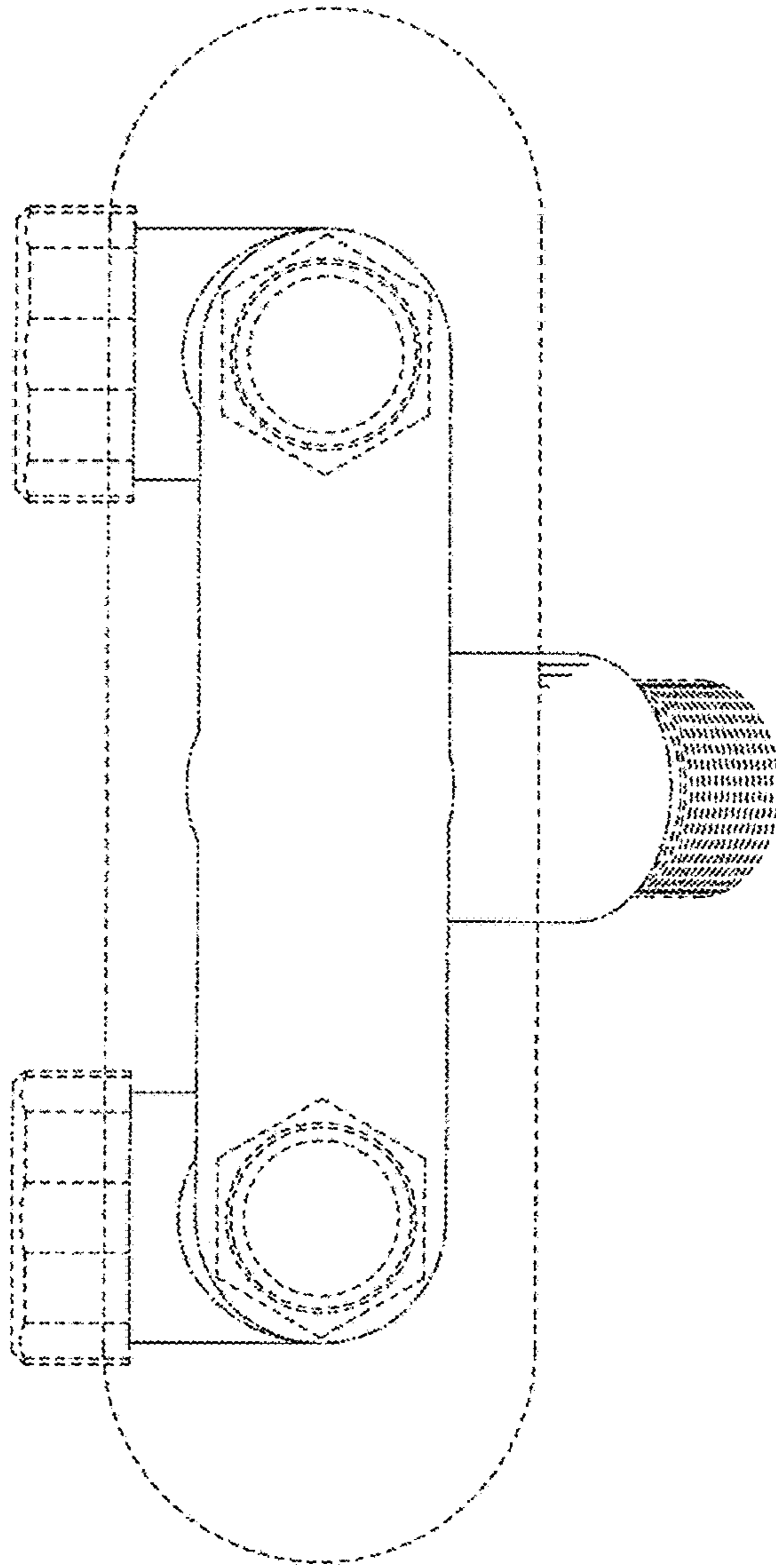


FIG. 3

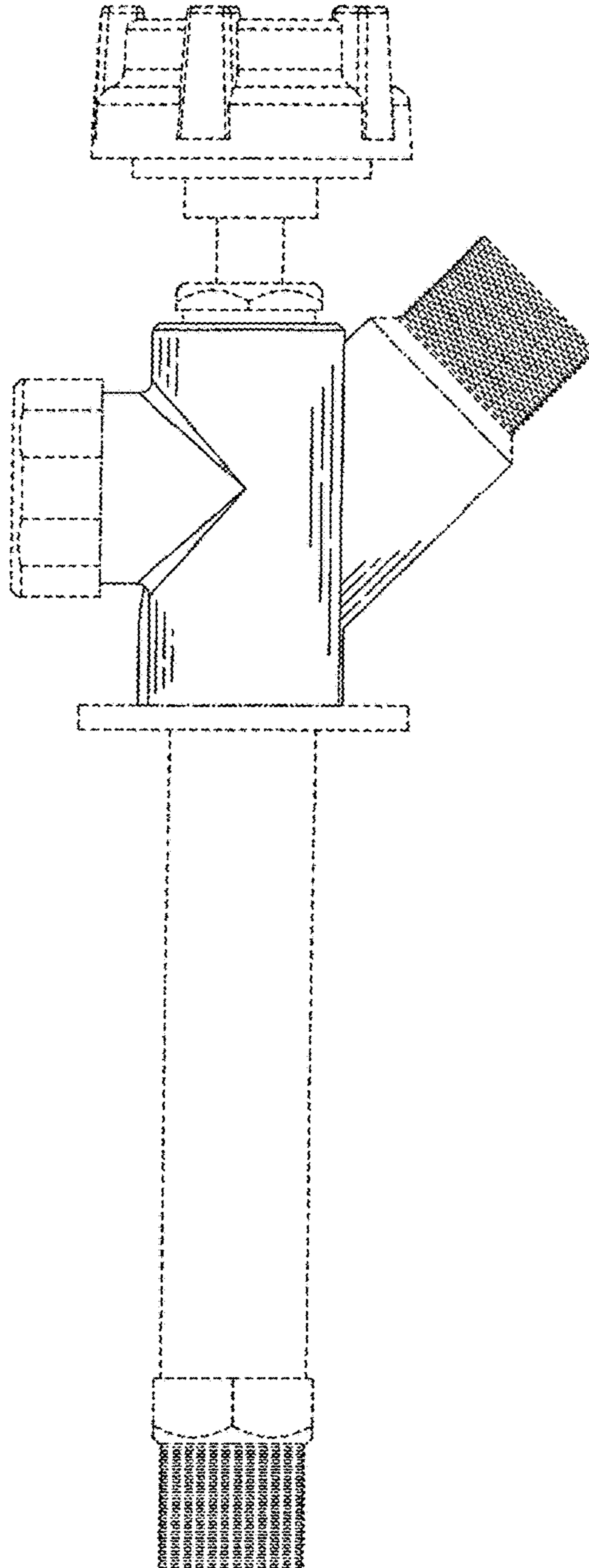


FIG. 4

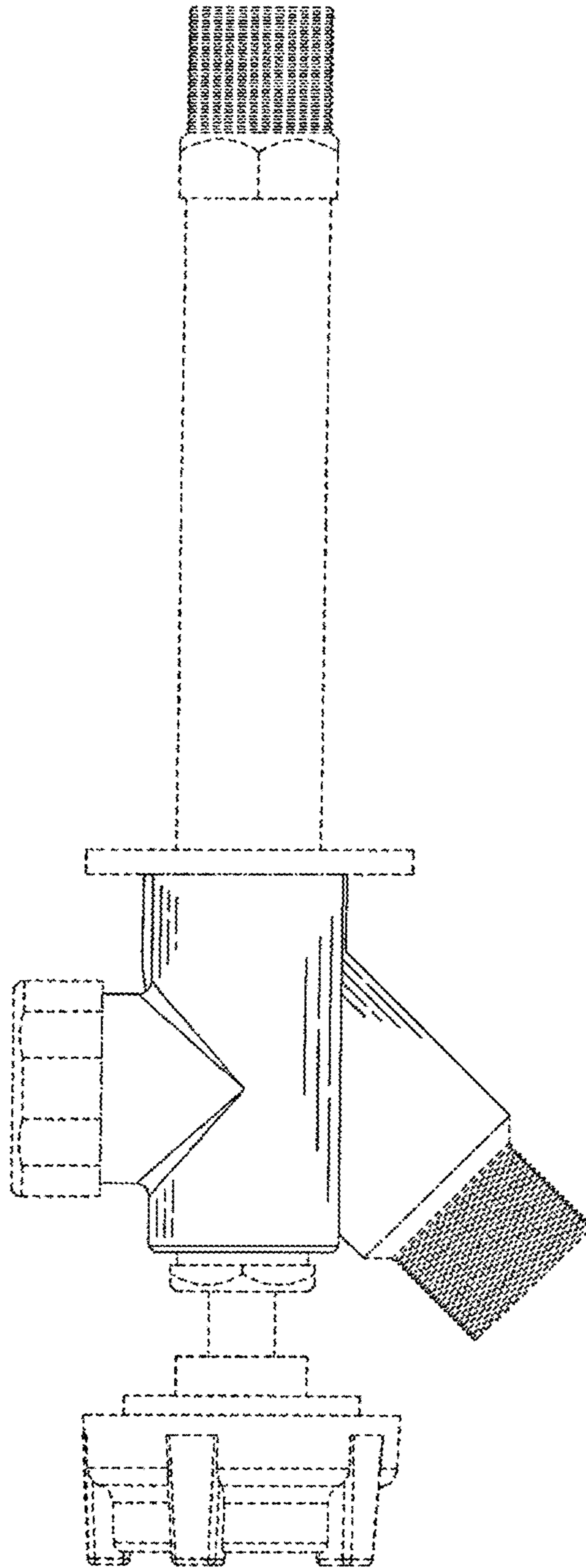


FIG. 5

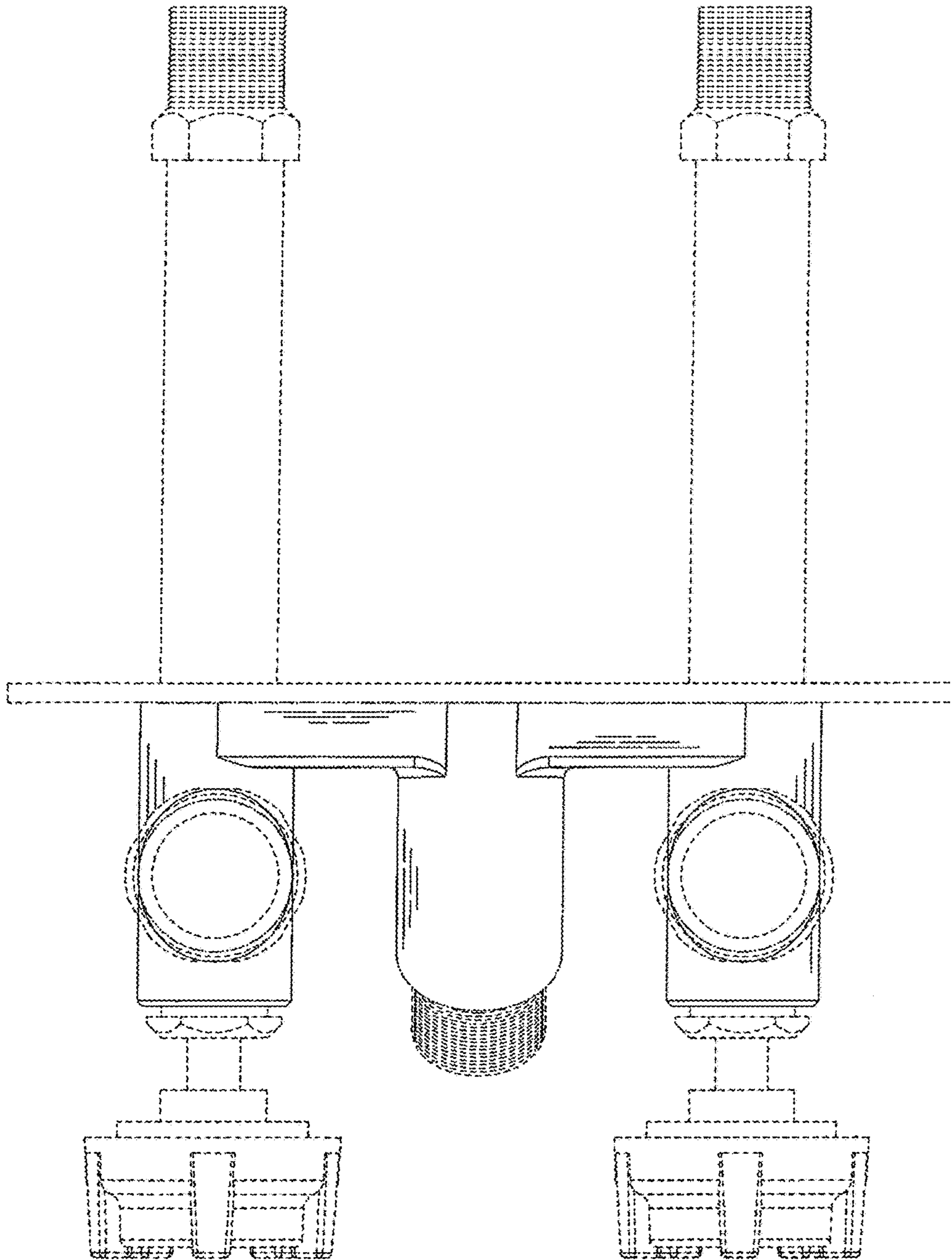


FIG. 6

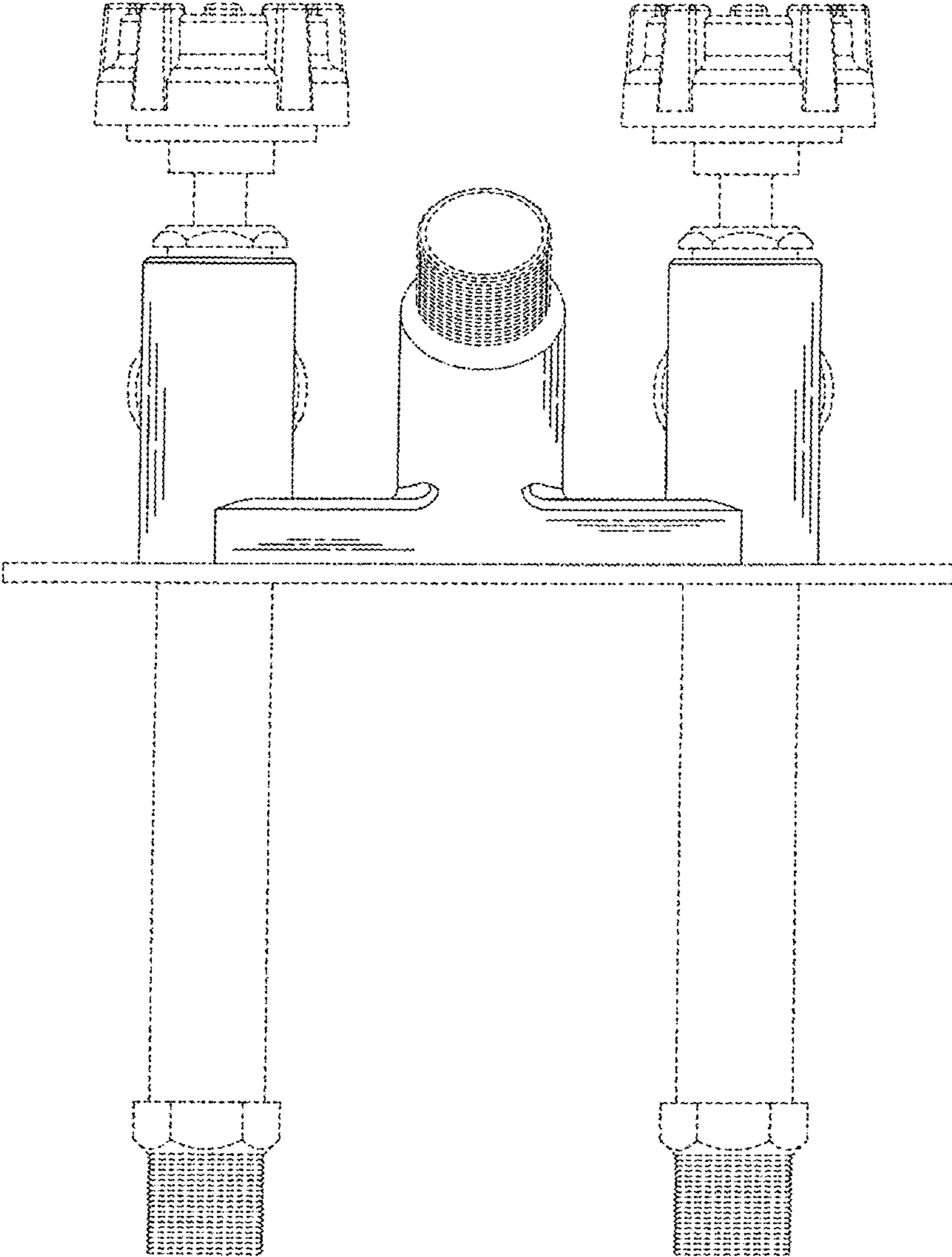


FIG. 7