



US00D788883S

(12) **United States Design Patent** (10) **Patent No.:** **US D788,883 S**
Drake (45) **Date of Patent:** **** Jun. 6, 2017**

(54) **PRESSURE RELIEF VALVE FOR USE WITH CONCRETE PUMPING SYSTEM**

(71) Applicant: **Robert A Drake**, Rocky River, OH (US)

(72) Inventor: **Robert A Drake**, Rocky River, OH (US)

(**) Term: **14 Years**

(21) Appl. No.: **29/474,996**

(22) Filed: **Apr. 16, 2015**

(51) **LOC (10) Cl.** **23-01**

(52) **U.S. Cl.**
USPC **D23/235**

(58) **Field of Classification Search**
USPC D23/233-250; 138/114; D15/9.2, 19; 137/615, 625, 874, 15.09, 2, 565.01, 137/565.11, 884, 565.12, 625.45; 417/900, 516, 519, 532, 510, 454, 342, 417/517; 251/5
CPC F04B 7/0034; F04B 7/0026; F04B 15/023; F04B 15/02; F04B 2201/0201; F04B 7/0023; F04D 7/04
See application file for complete search history.

(56) **References Cited**

U.S. PATENT DOCUMENTS

3,682,575 A	8/1972	Guddal et al.	417/517
3,832,097 A *	8/1974	Schlecht	F04B 7/0034
			417/516
4,178,142 A	12/1979	Schwing	417/516
4,303,378 A *	12/1981	Hunter	F04B 7/0026
			137/625.43
4,500,267 A *	2/1985	Birdwell	F04B 15/02
			417/342
4,623,303 A *	11/1986	Henderson	F04B 9/14
			137/270
5,114,319 A	5/1992	Faber	417/342

5,180,294 A	1/1993	Watchorn	417/516
5,460,301 A	10/1995	Ebinger et al.	222/626
5,507,630 A *	4/1996	Hegebarth	F04B 15/02
			137/269.5
6,220,834 B1 *	4/2001	Hurr	F04B 7/0034
			138/114
6,305,916 B1	10/2001	Reinert	417/454
6,484,752 B1	11/2002	Ebinger et al.	137/615
6,821,097 B2	11/2004	Reinert	417/517
6,823,888 B1	11/2004	Raymond	137/351
6,871,667 B2	3/2005	Schwing et al.	137/615
7,462,020 B2	12/2008	Reinert	417/532
7,543,851 B2	6/2009	Wolfram et al.	280/766.1
8,123,504 B2	2/2012	Lenhart	417/519
8,439,657 B2 *	5/2013	Drago	F04B 9/1172
			417/532
8,827,657 B1 *	9/2014	Priddy	F04B 7/04
			137/874
2003/0007880 A1 *	1/2003	Dwyer	F04B 15/023
			417/401
2010/0260625 A1 *	10/2010	Drago	F04B 9/1172
			417/410.3

(Continued)

Primary Examiner — Cynthia Ramirez
Assistant Examiner — Gino Colan
(74) *Attorney, Agent, or Firm* — David A. Burge

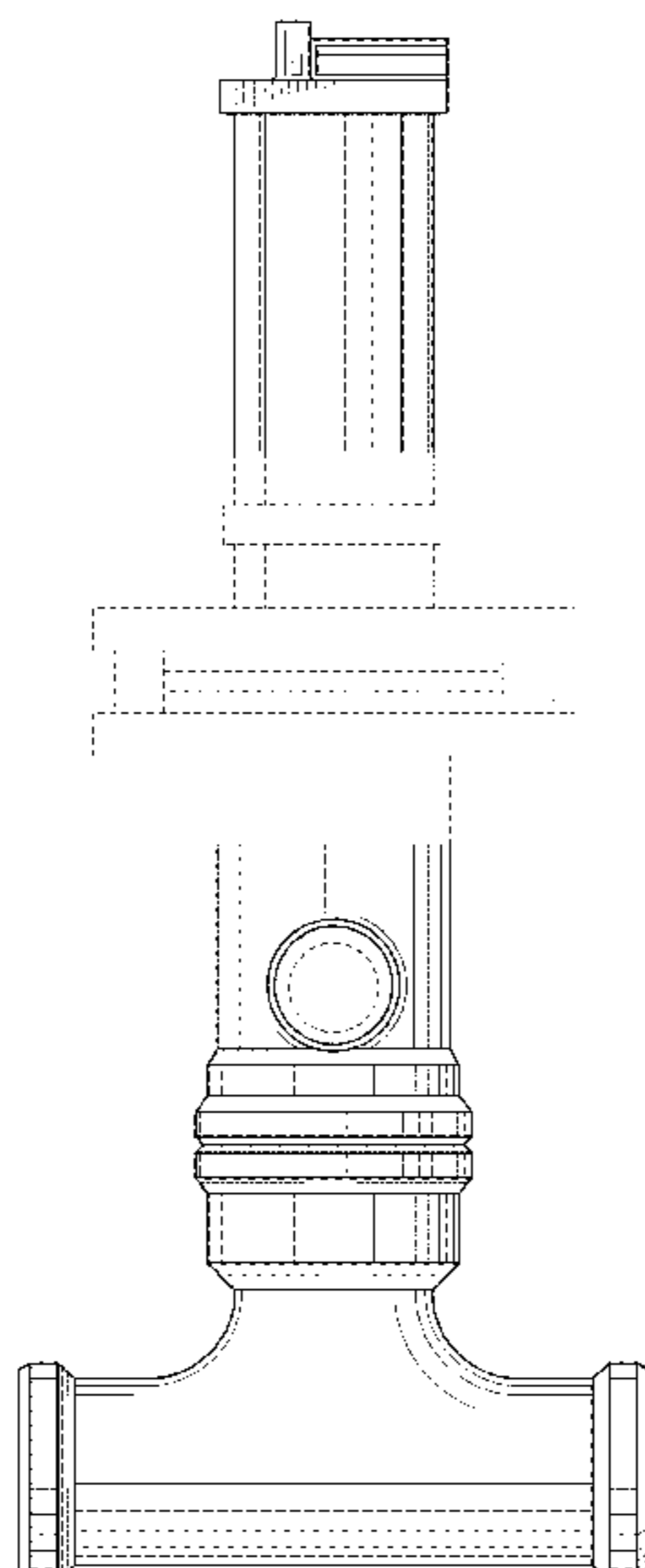
(57) **CLAIM**

I claim the ornamental design for a pressure relief valve for use with concrete pumping system, as shown and described.

DESCRIPTION

FIG. 1 front elevational view showing my new design, FIG. 2 is a left side elevational view, it being understood that a right side elevational view is a mirror image hereof; FIG. 3 is a rear elevation view thereof; FIG. 4 is a top plan view thereof; and, FIG. 5 is a bottom plan view thereof.

1 Claim, 5 Drawing Sheets



(56)

References Cited

U.S. PATENT DOCUMENTS

2012/0318390 A1* 12/2012 Yi B65G 53/32
137/625
2013/0034457 A1* 2/2013 Yi F04B 15/023
417/437
2013/0180612 A1 7/2013 Morrison 137/886

* cited by examiner

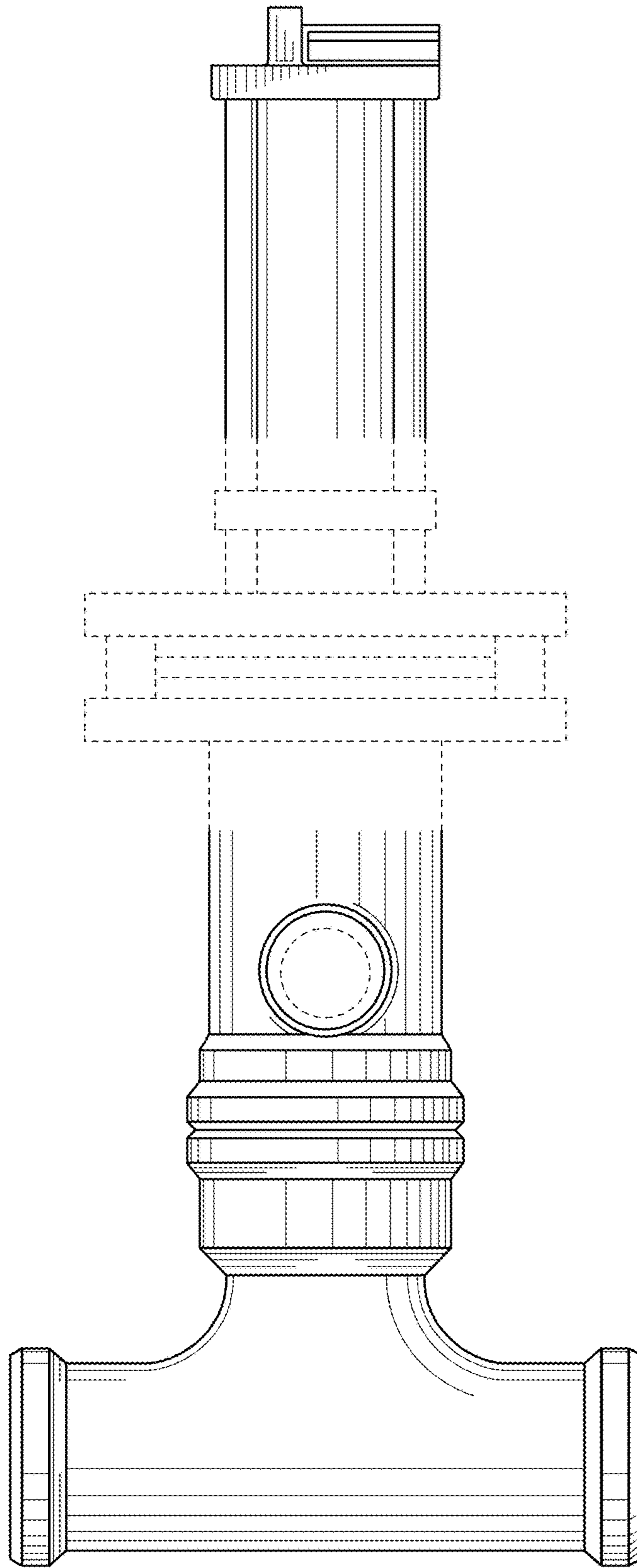


FIG. 1

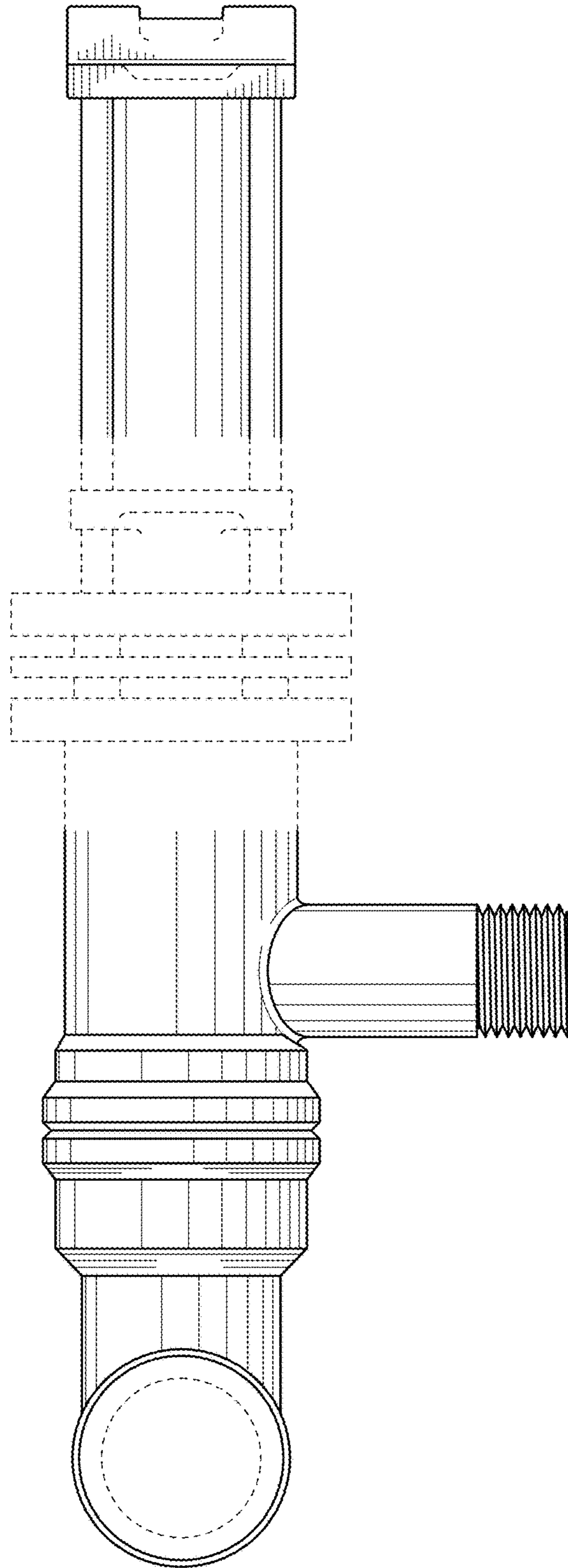


FIG. 2

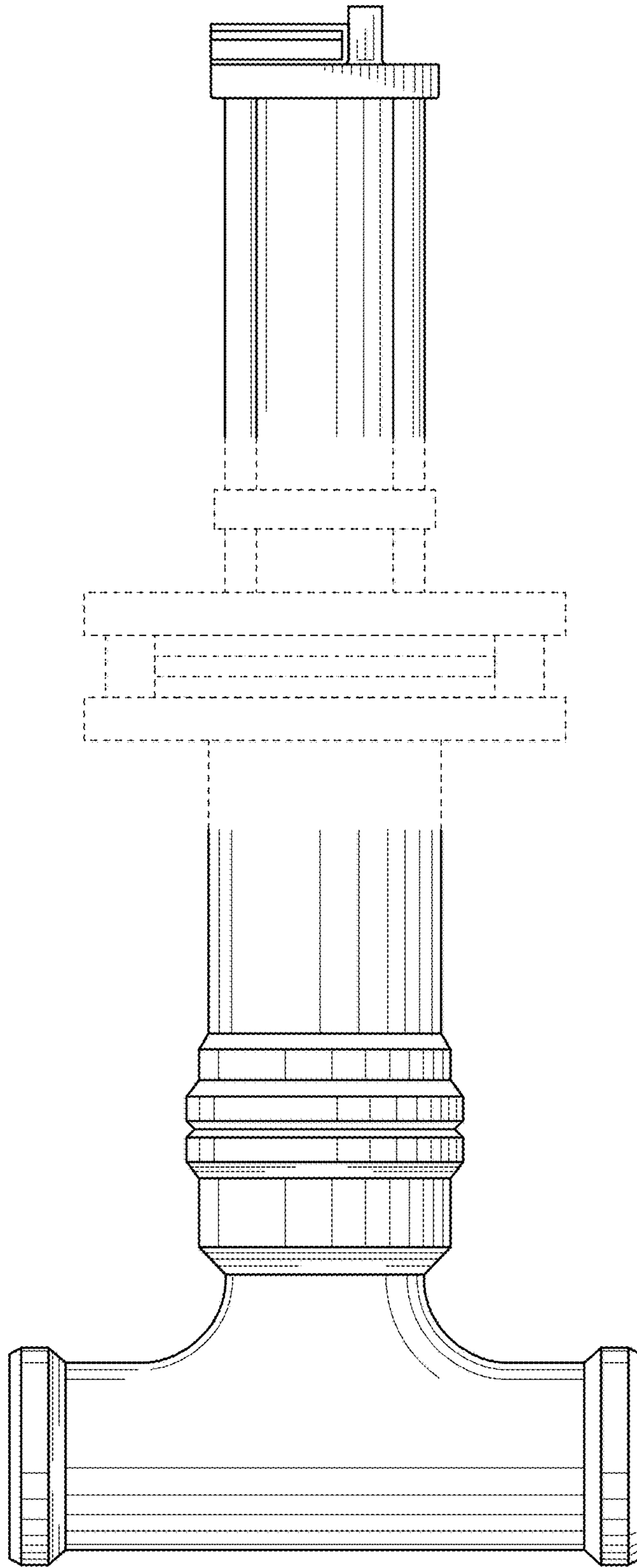


FIG. 3

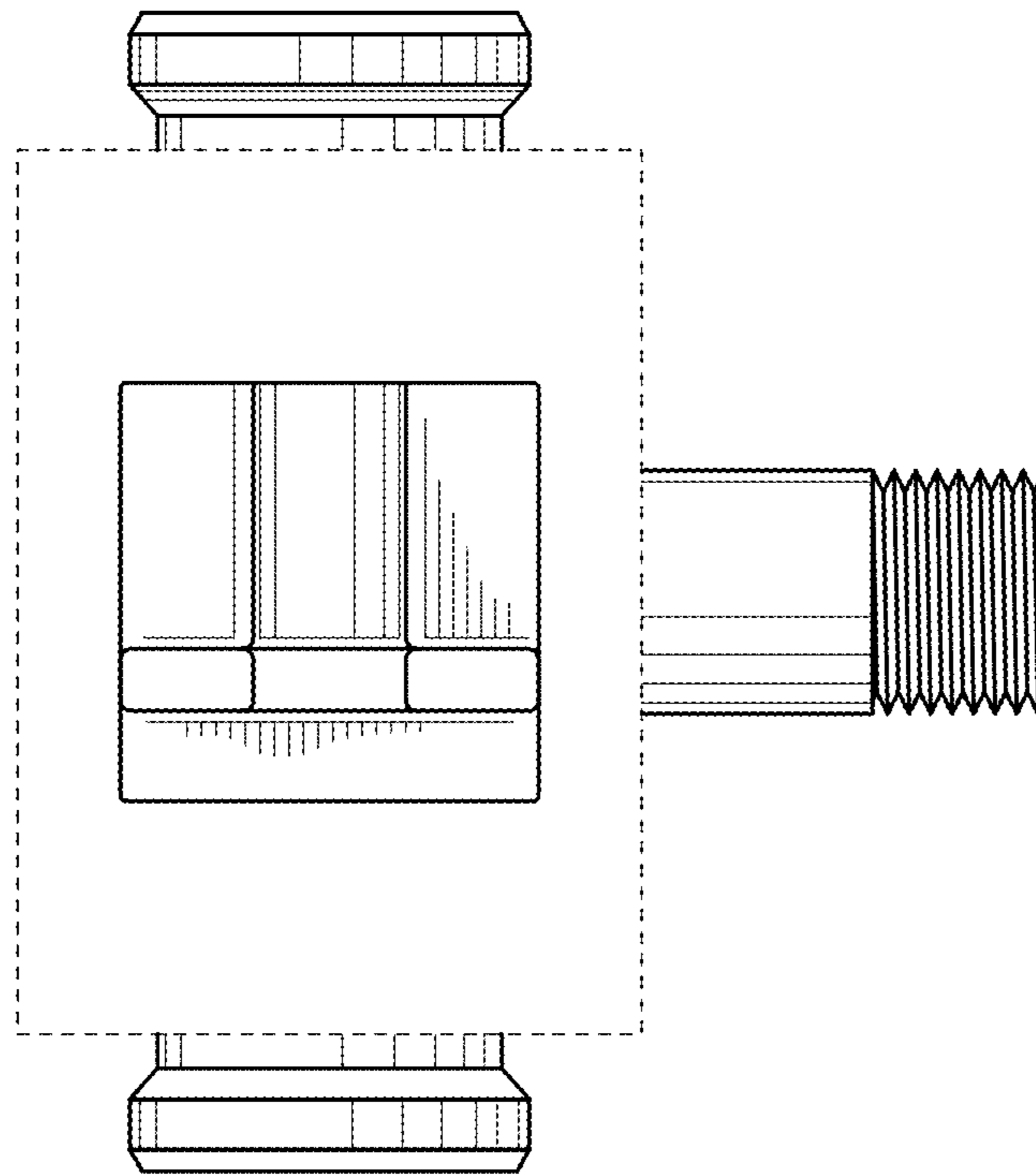


FIG. 4

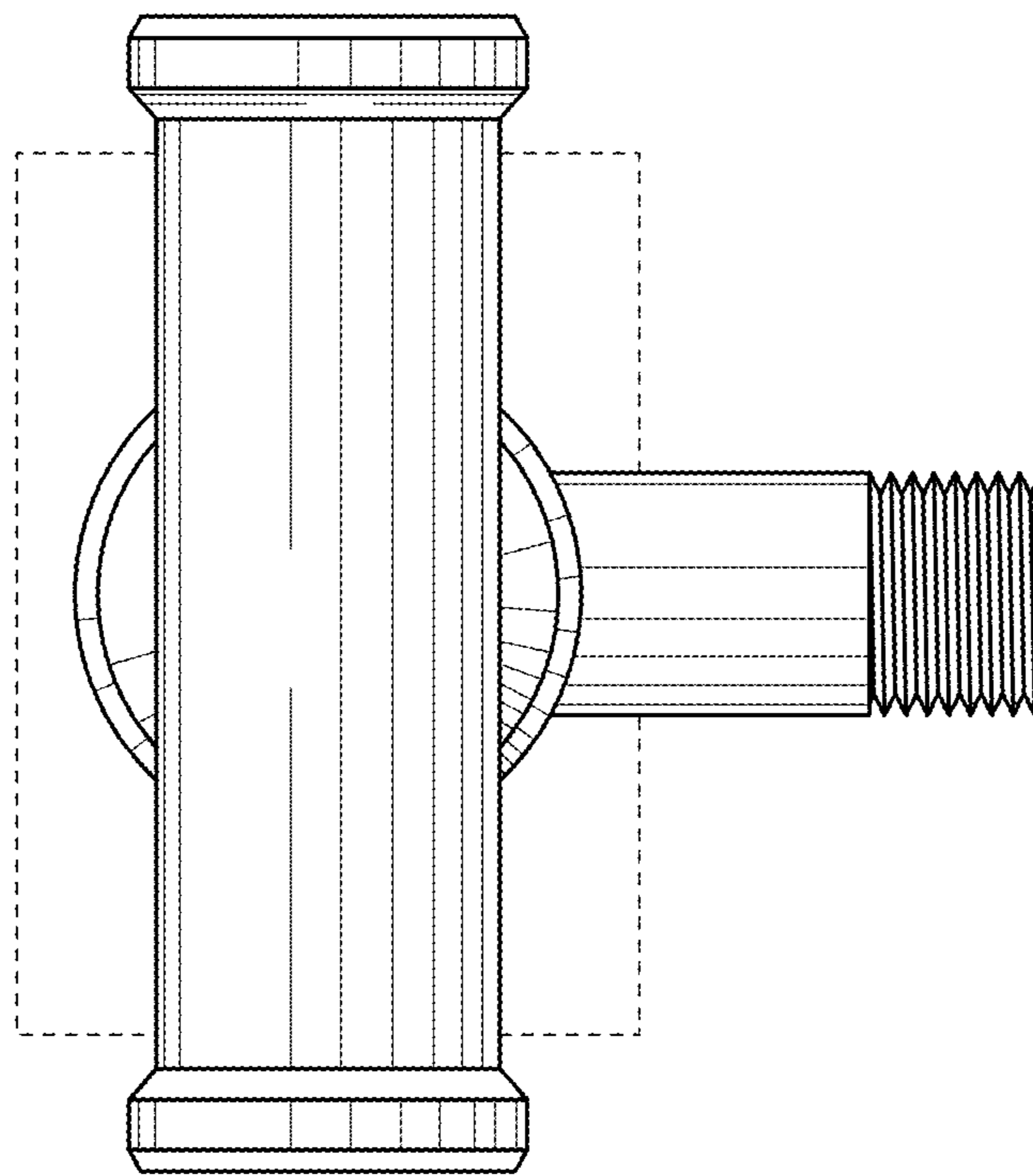


FIG. 5