



US00D788882S

(12) **United States Design Patent**
Claussen

(10) **Patent No.:** **US D788,882 S**
(45) **Date of Patent:** **** Jun. 6, 2017**

(54) **BROADCAST HOOD**

FOREIGN PATENT DOCUMENTS

(71) Applicant: **Claussen Technology, LLC**, Naples, FL (US)

CA 689054 A 6/1964
FR 1314571 1/1963

(72) Inventor: **Steven W Claussen**, Glenwood, MN (US)

OTHER PUBLICATIONS

(73) Assignee: **CLAUSSEN TECHNOLOGY, LLC**, Naples, FL (US)

“94-95” catalog illustrating “Hose Shank Nozzle Bodies and Vari-S-pacing Clamps,” p. 61; Custom Ag Products, Inc., Benson, MN; 1 page.

(**) Term: **15 Years**

Primary Examiner — Robin V Webster

(21) Appl. No.: **29/536,272**

(74) *Attorney, Agent, or Firm* — Muetting, Raasch & Gebhardt, P.A.

(22) Filed: **Aug. 14, 2015**

(57) **CLAIM**

Related U.S. Application Data

The ornamental design for a broadcast hood, as shown and described.

(62) Division of application No. 29/461,212, filed on Jul. 19, 2013, now Pat. No. Des. 737,404.

DESCRIPTION

(51) **LOC (10) Cl.** **23-01**

(52) **U.S. Cl.**
USPC **D23/214**

(58) **Field of Classification Search**
USPC D23/213, 214, 227; 239/77, 159, 161, 239/288, 288.5, 288.3; 47/1.7
See application file for complete search history.

FIG. 1 is an upper perspective view of a broadcast hood; FIG. 2 is a top plan view of the broadcast hood of FIG. 1; FIG. 3 is a bottom plan view of the broadcast hood of FIG. 1; FIG. 4 is a front elevation view of the broadcast hood of FIG. 1; FIG. 5 is a rear elevation view of the broadcast hood of FIG. 1; FIG. 6 is a right side elevation view of the broadcast hood of FIG. 1; and, FIG. 7 is a left side elevation view of the broadcast hood of FIG. 1.

(56) **References Cited**

U.S. PATENT DOCUMENTS

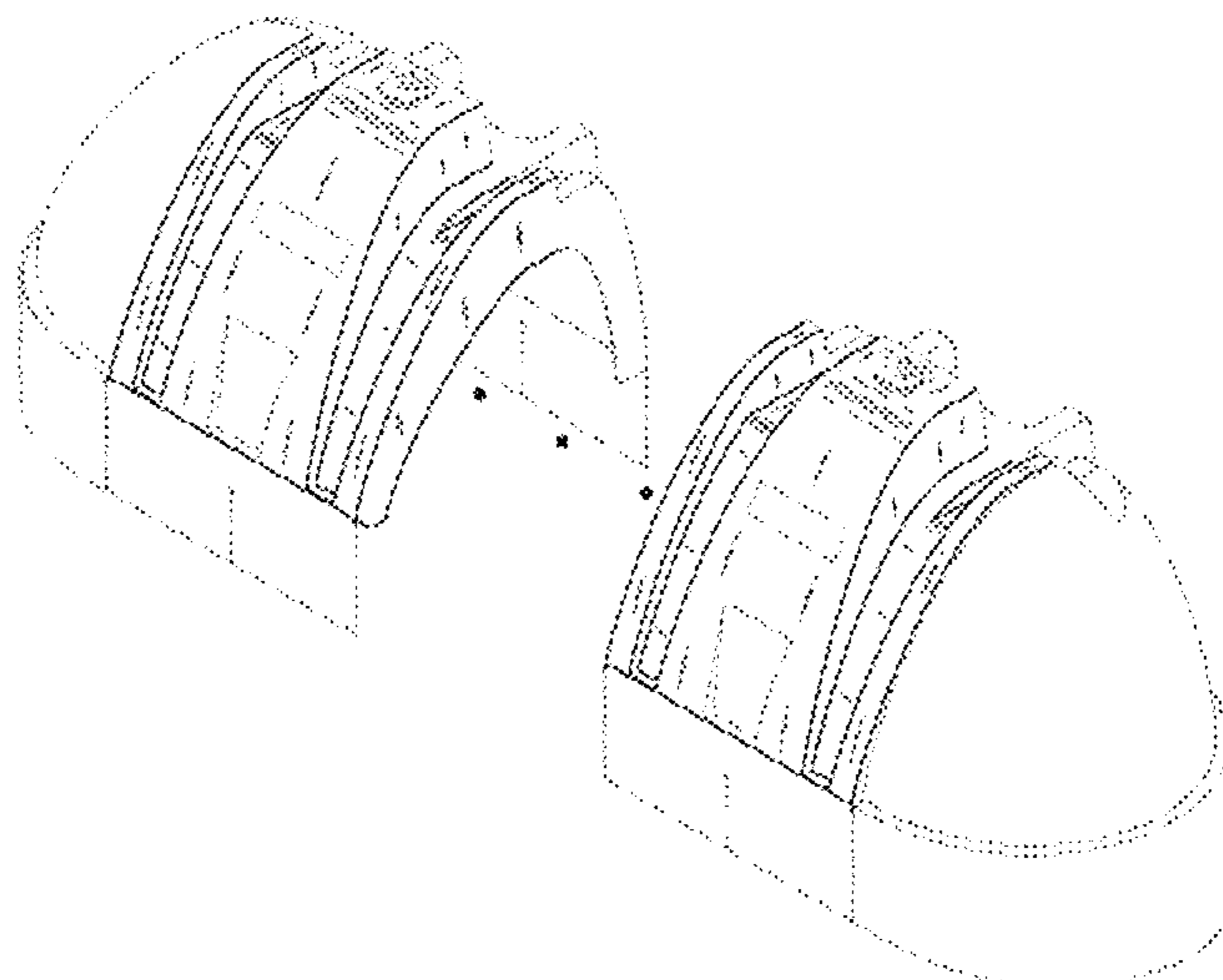
556,447 A	3/1896	Van Deusen
1,527,669 A	2/1925	Camp
1,669,435 A	5/1928	Wheeler
2,641,505 A	6/1953	Valois
3,038,665 A	6/1962	Doerr
4,274,589 A	6/1981	Jones
4,379,522 A	4/1983	Elliott et al.
4,441,655 A	4/1984	Blumhardt
4,456,180 A	6/1984	Lury
4,634,051 A	1/1987	Dudley
4,711,398 A	12/1987	Ganderton et al.

(Continued)

The broken lines immediately adjacent areas of the design represent the bounds of the claimed design while other broken lines are directed to environment and are for illustrative purposes only; features illustrated in broken lines form no part of the claimed design.

The three dots between the parts of the claimed design indicates the relationship between the parts.

1 Claim, 6 Drawing Sheets



(56)

References Cited

U.S. PATENT DOCUMENTS

4,736,888	A	4/1988	Fasnacht
4,947,581	A	8/1990	Claussen et al.
5,012,608	A	5/1991	Brown
5,069,090	A	12/1991	Clark
5,155,933	A	10/1992	Claussen et al.
5,156,338	A	10/1992	Borland et al.
5,248,090	A	9/1993	Williamson
5,371,969	A	12/1994	Clauseen et al.
D356,629	S	3/1995	Claussen et al.
5,398,874	A	3/1995	Dailey
5,520,335	A	5/1996	Claussen et al.
5,526,605	A	6/1996	O'Dougherty
D372,298	S	7/1996	Clauseen et al.
6,047,901	A	4/2000	Pederson et al.
6,334,578	B1	1/2002	House
6,705,546	B2	3/2004	Bosch
D669,966	S	10/2012	Claussen
2013/0001320	A1	1/2013	Claussen

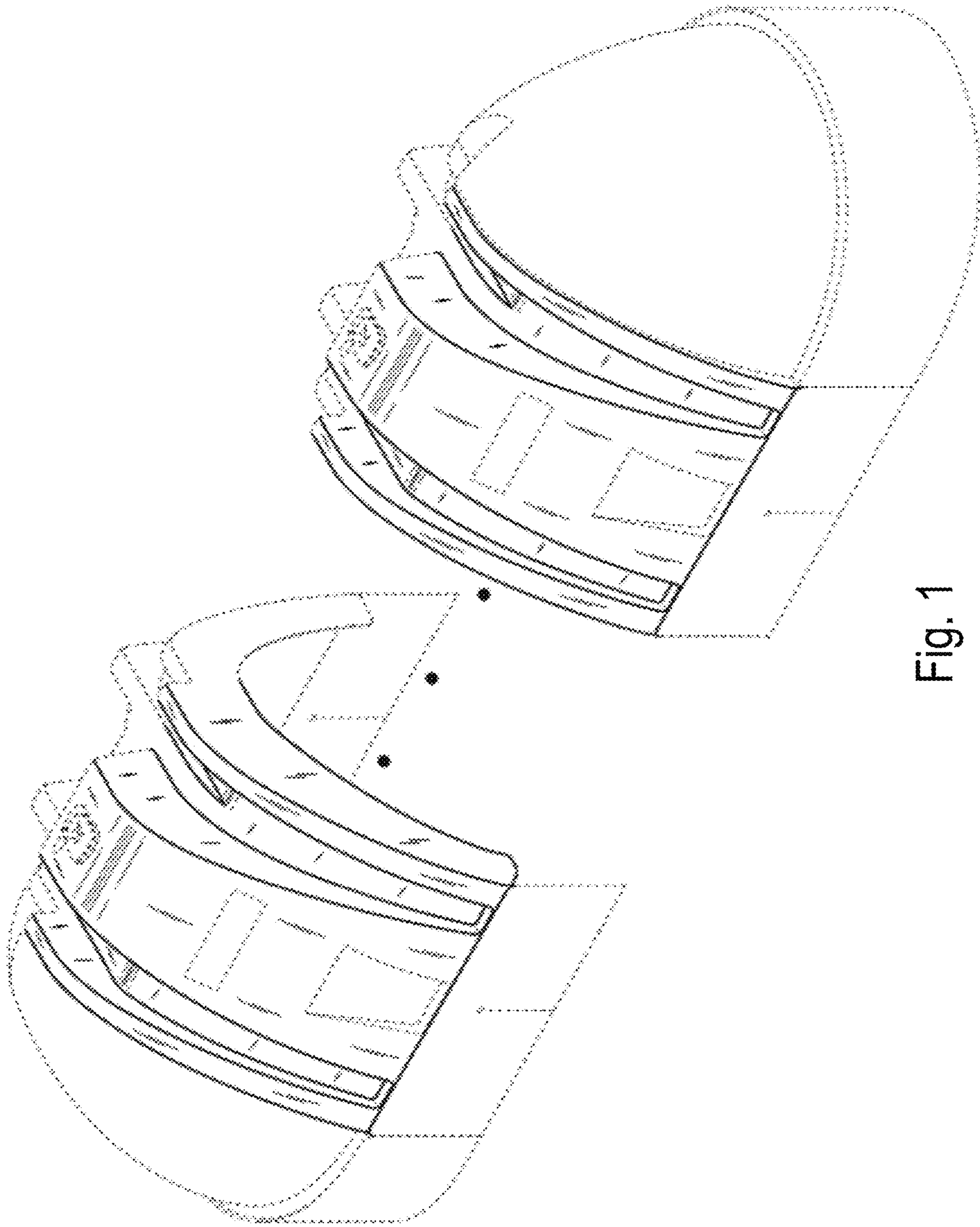


Fig. 1

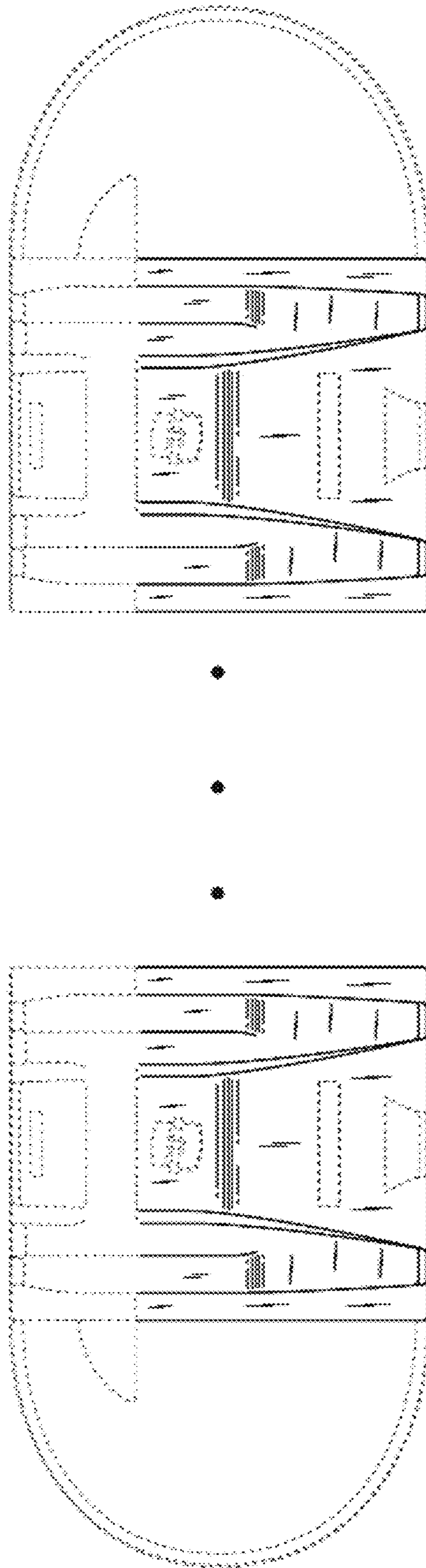


Fig. 2

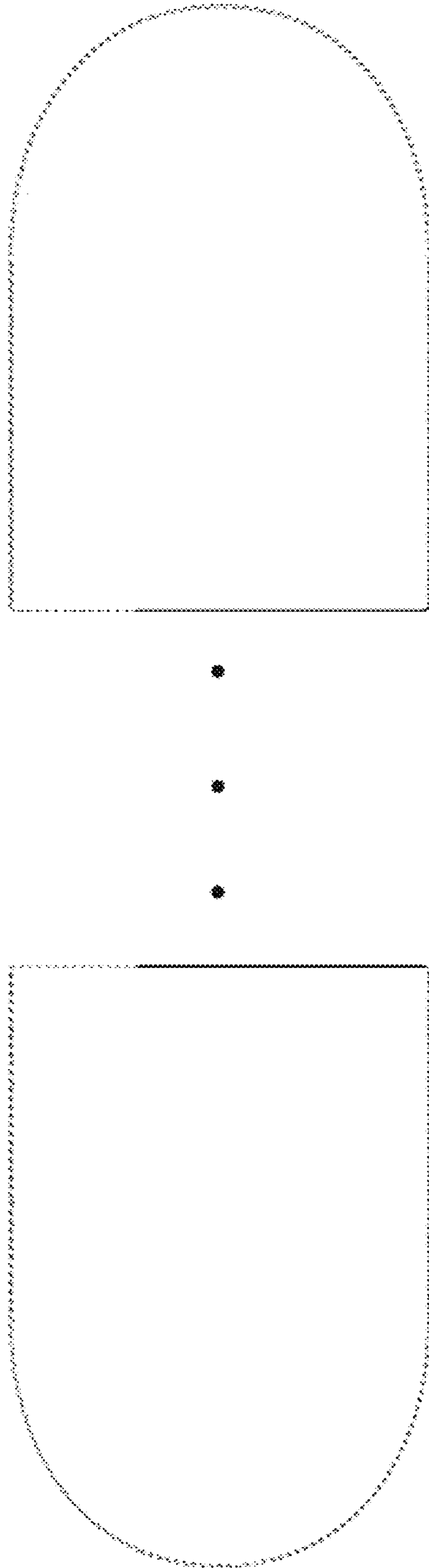


Fig. 3

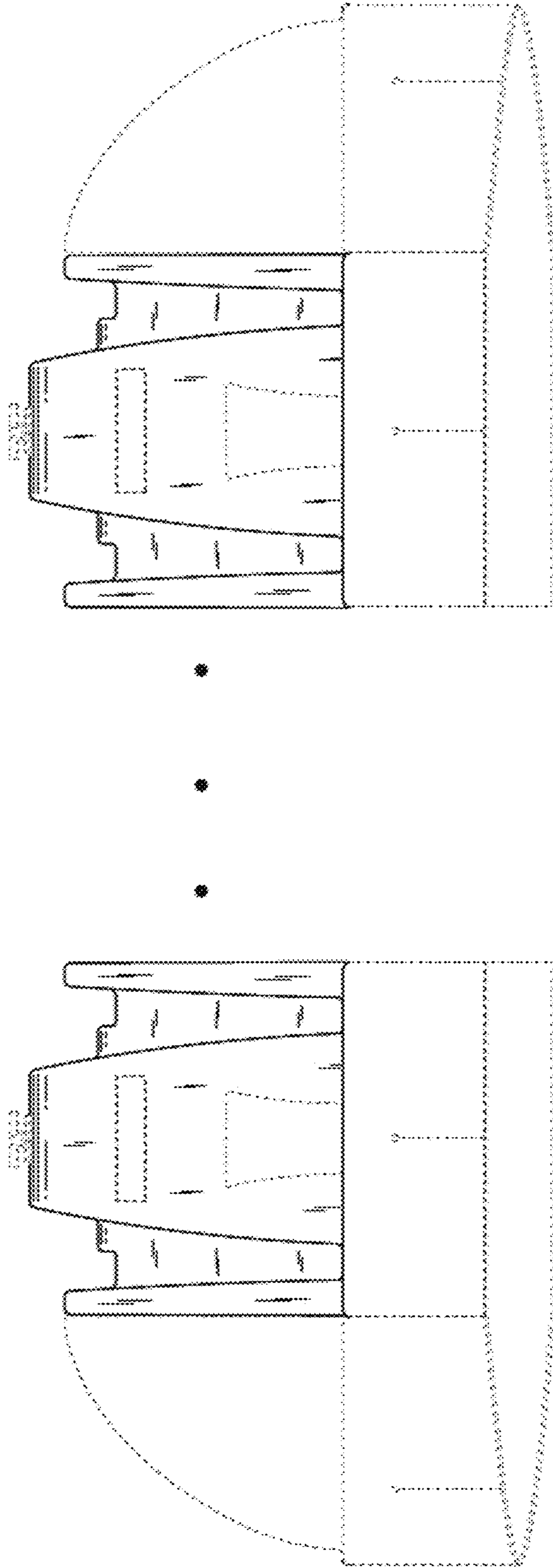


Fig. 4

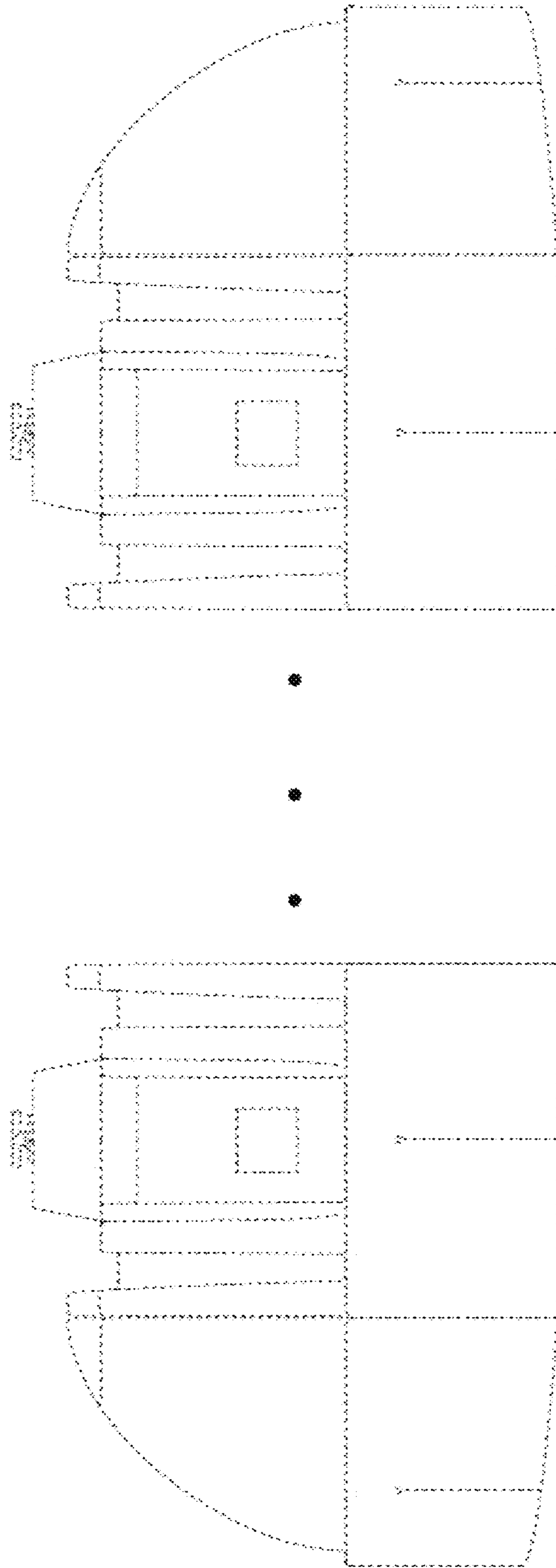


Fig. 5

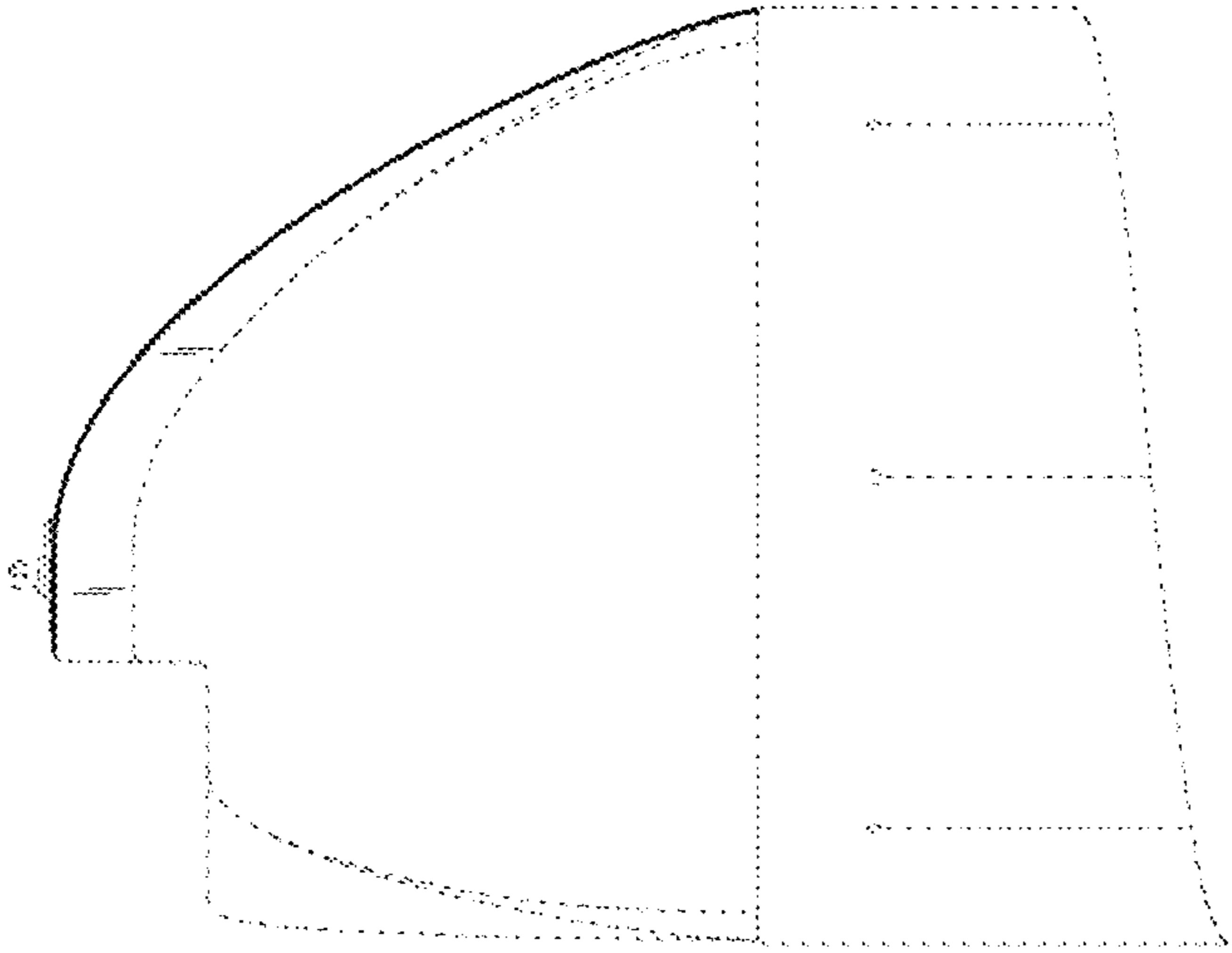


Fig. 7

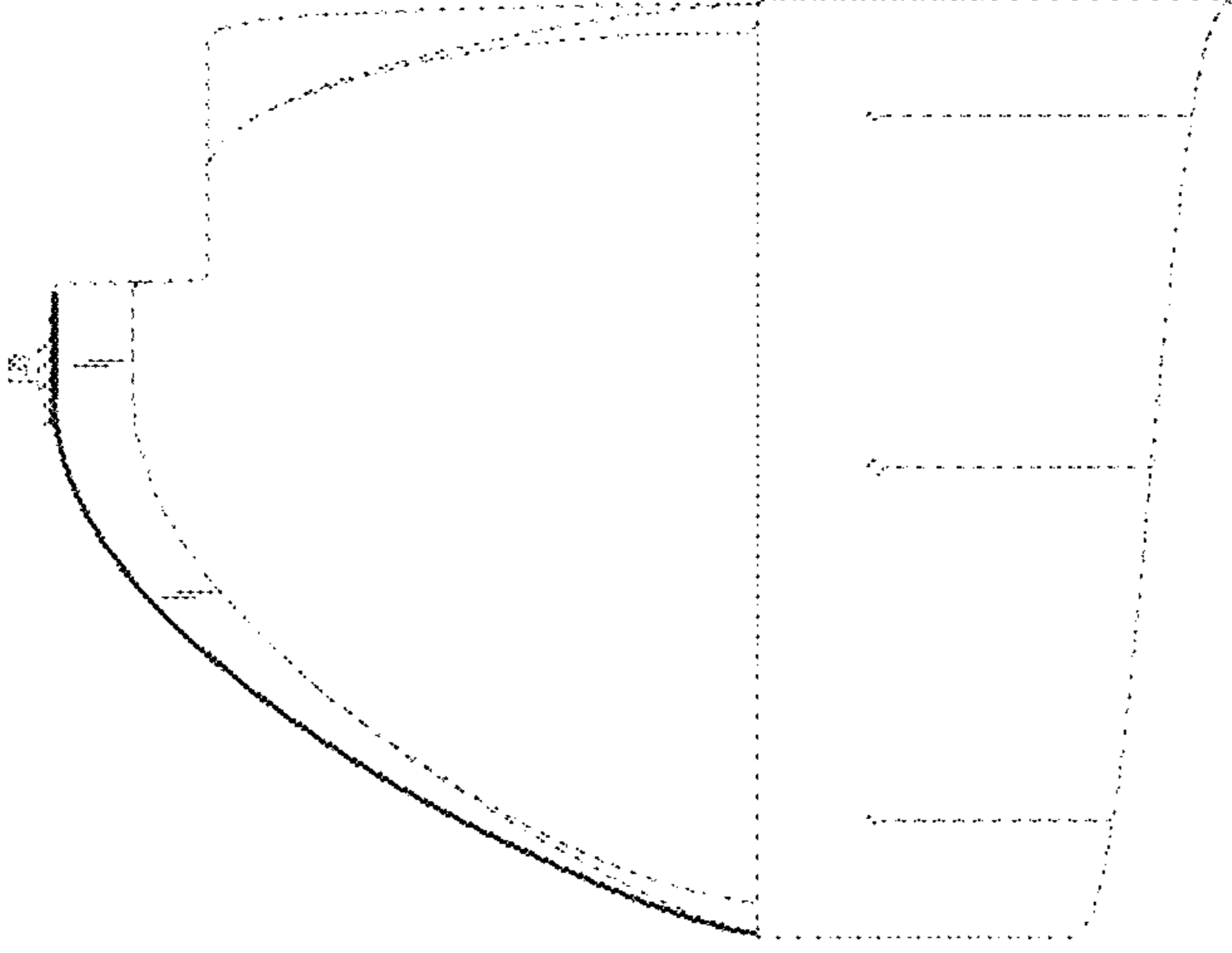


Fig. 6