



US00D788880S

(12) **United States Design Patent**
Zou

(10) **Patent No.:** **US D788,880 S**
(45) **Date of Patent:** **** Jun. 6, 2017**

- (54) **FILTER UNIT**
- (71) Applicant: **HONG KONG ECOAQUA CO., LIMITED**, Chai Wan (HK)
- (72) Inventor: **Zhibin Zou**, Qingdao (CN)
- (73) Assignee: **Hong Kong EcoAqua Co., Ltd.**, Chai Wan (HK)
- (**) Term: **15 Years**
- (21) Appl. No.: **29/560,615**
- (22) Filed: **Apr. 8, 2016**
- (51) **LOC (10) Cl.** **23-01**
- (52) **U.S. Cl.**
USPC **D23/209**
- (58) **Field of Classification Search**
USPC D23/207, 209; 210/232, 234, 235, 236, 210/497.01
CPC B01D 35/30; B01D 35/153
See application file for complete search history.

- 8,562,831 B2 * 10/2013 Bors B01D 35/306
210/232
- 8,741,137 B2 * 6/2014 Ruprecht B01D 35/30
210/232
- 8,801,682 B2 * 8/2014 Kensy A61M 1/0001
210/232
- D755,344 S * 5/2016 Reckin D23/209
- D762,812 S * 8/2016 Branscomb D23/209
- D767,712 S * 9/2016 Huda D23/207
- D768,814 S * 10/2016 Dong D23/209
- D772,379 S * 11/2016 Tadlock D23/209
- D776,237 S * 1/2017 Dong D23/207

* cited by examiner

Primary Examiner — Robin V Webster
(74) *Attorney, Agent, or Firm* — Schmeiser, Olsen & Watts, LLP

(57) **CLAIM**

The ornamental design for a filter unit, as shown and described.

DESCRIPTION

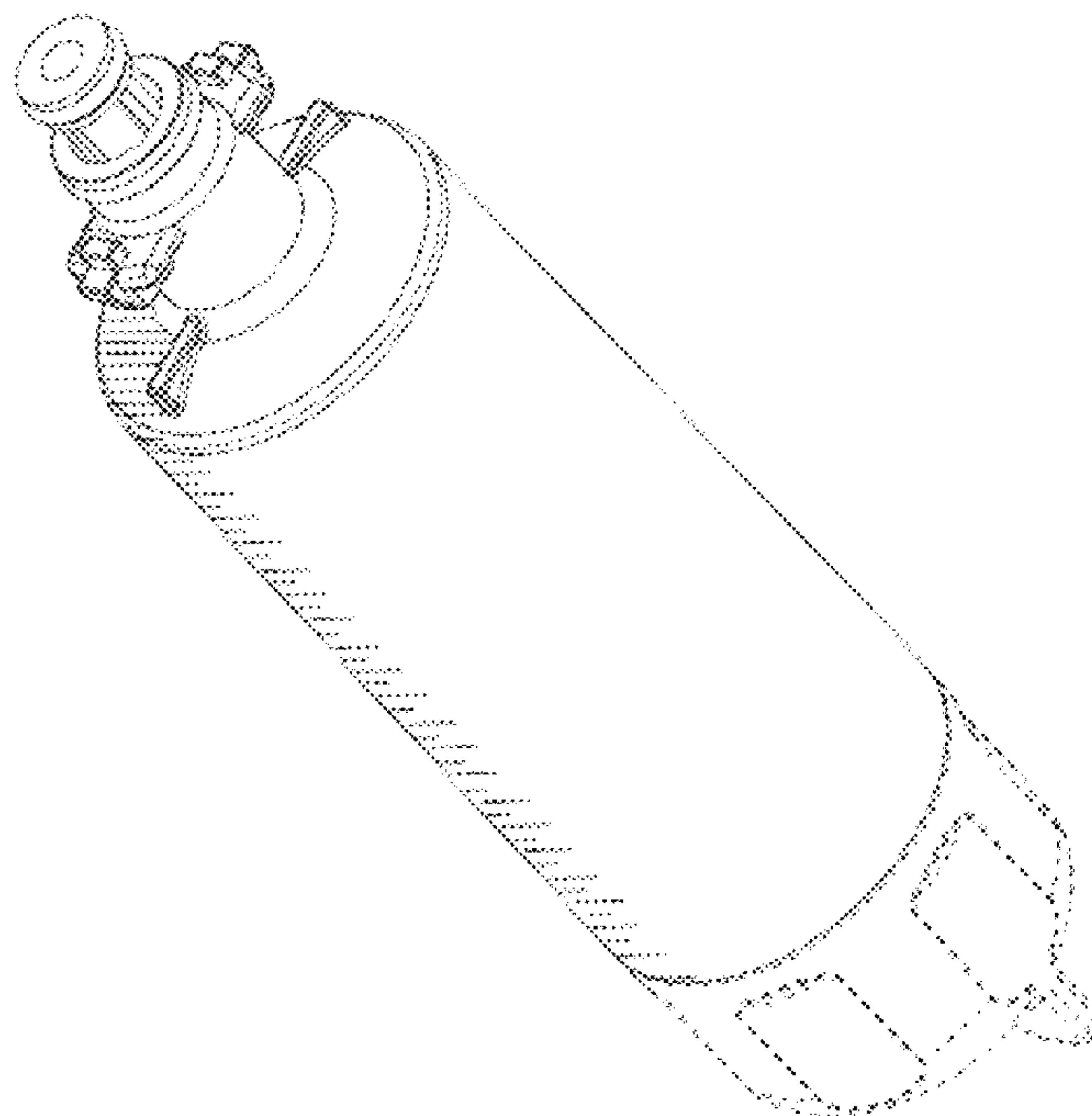
FIG. 1 is a Front elevational view of a filter unit showing my new design;
FIG. 2 is a rear elevational view thereof;
FIG. 3 is a right side view thereof;
FIG. 4 is a left side view thereof;
FIG. 5 is a top plan view thereof;
FIG. 6 is a bottom plan view thereof; and,
FIG. 7 is a perspective view thereof.
The broken lines in the drawing depict portions of the filter unit that form no part of the claimed design.

1 Claim, 7 Drawing Sheets

(56) **References Cited**

U.S. PATENT DOCUMENTS

- D493,207 S * 7/2004 Ueda D23/209
- 7,147,773 B2 * 12/2006 Mitchell B01D 35/153
210/136
- D570,951 S * 6/2008 Morita D23/209
- D654,566 S * 2/2012 Kruckenberg D23/209
- 8,398,853 B2 * 3/2013 An B01D 35/147
137/594
- D679,779 S * 4/2013 Reid D23/209



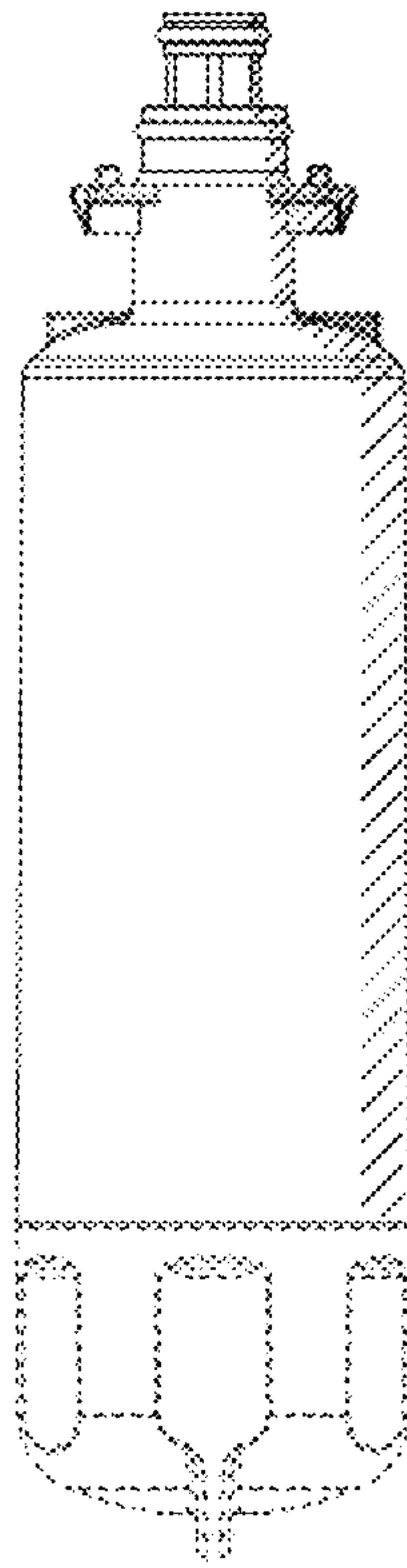


Figure 1

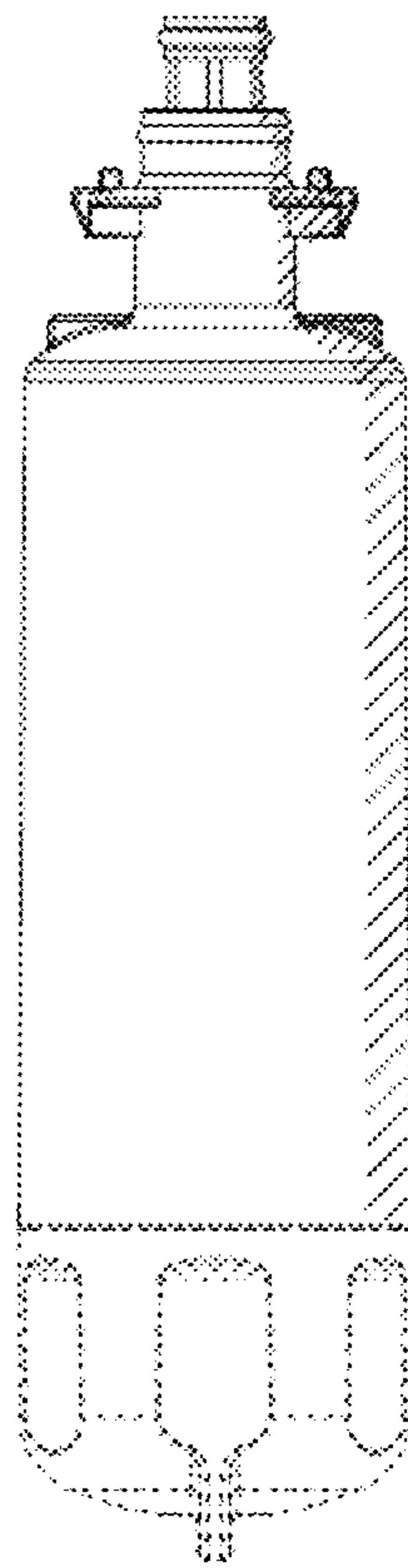


Figure 2

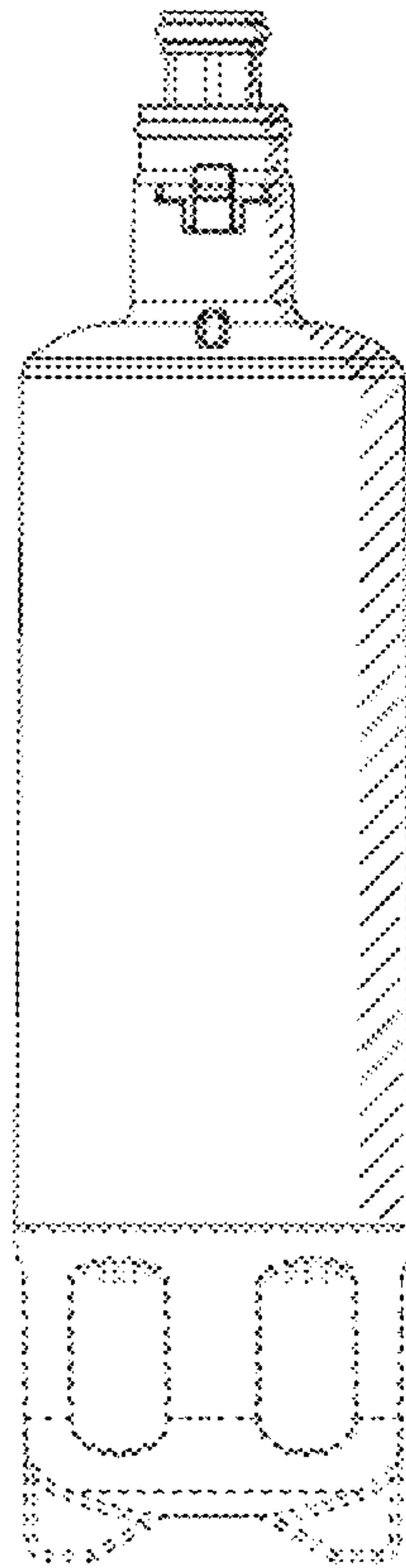


Figure 3

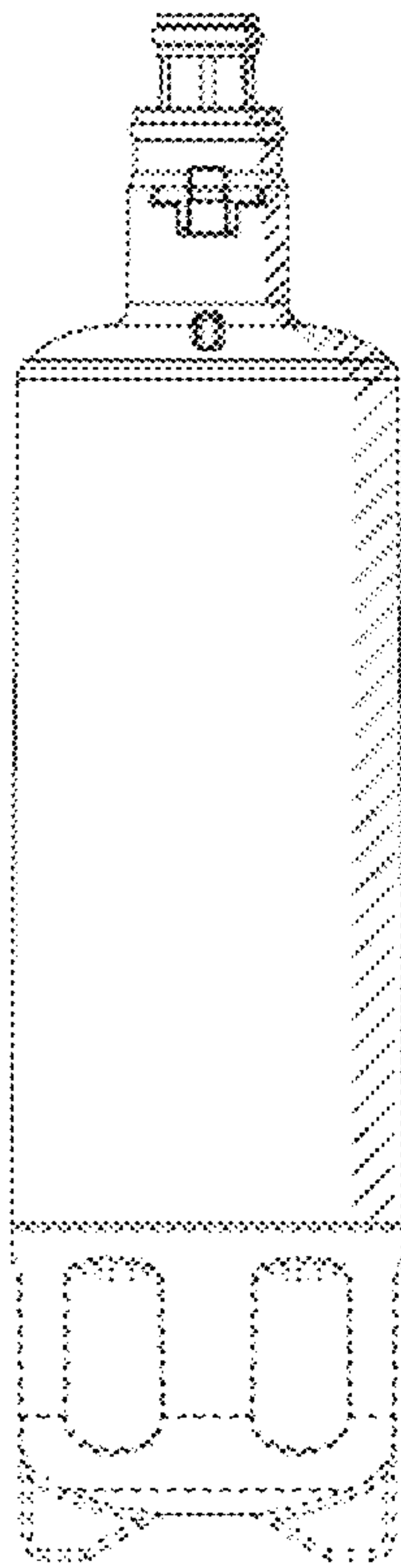


Figure 4

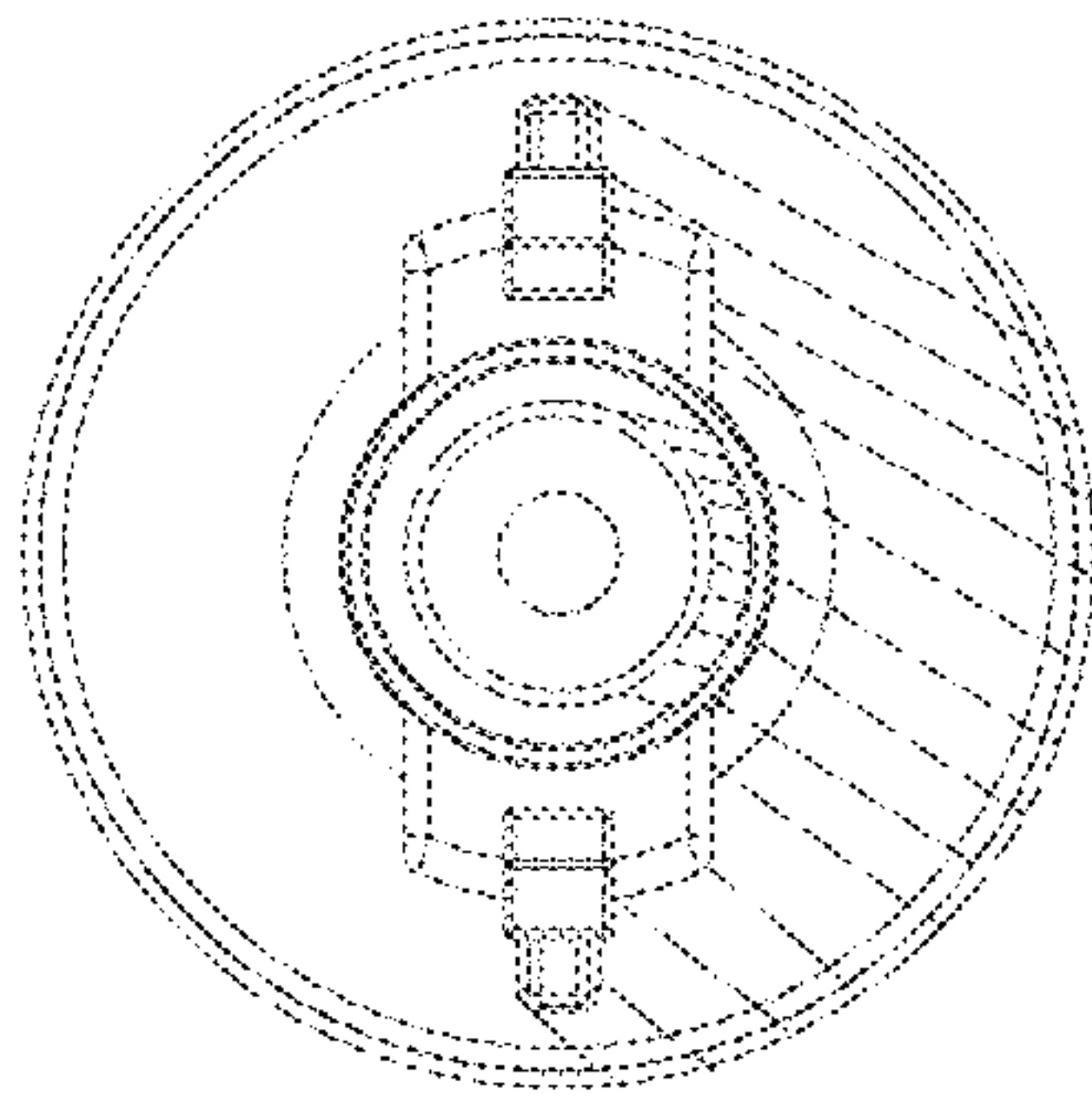


Figure 5

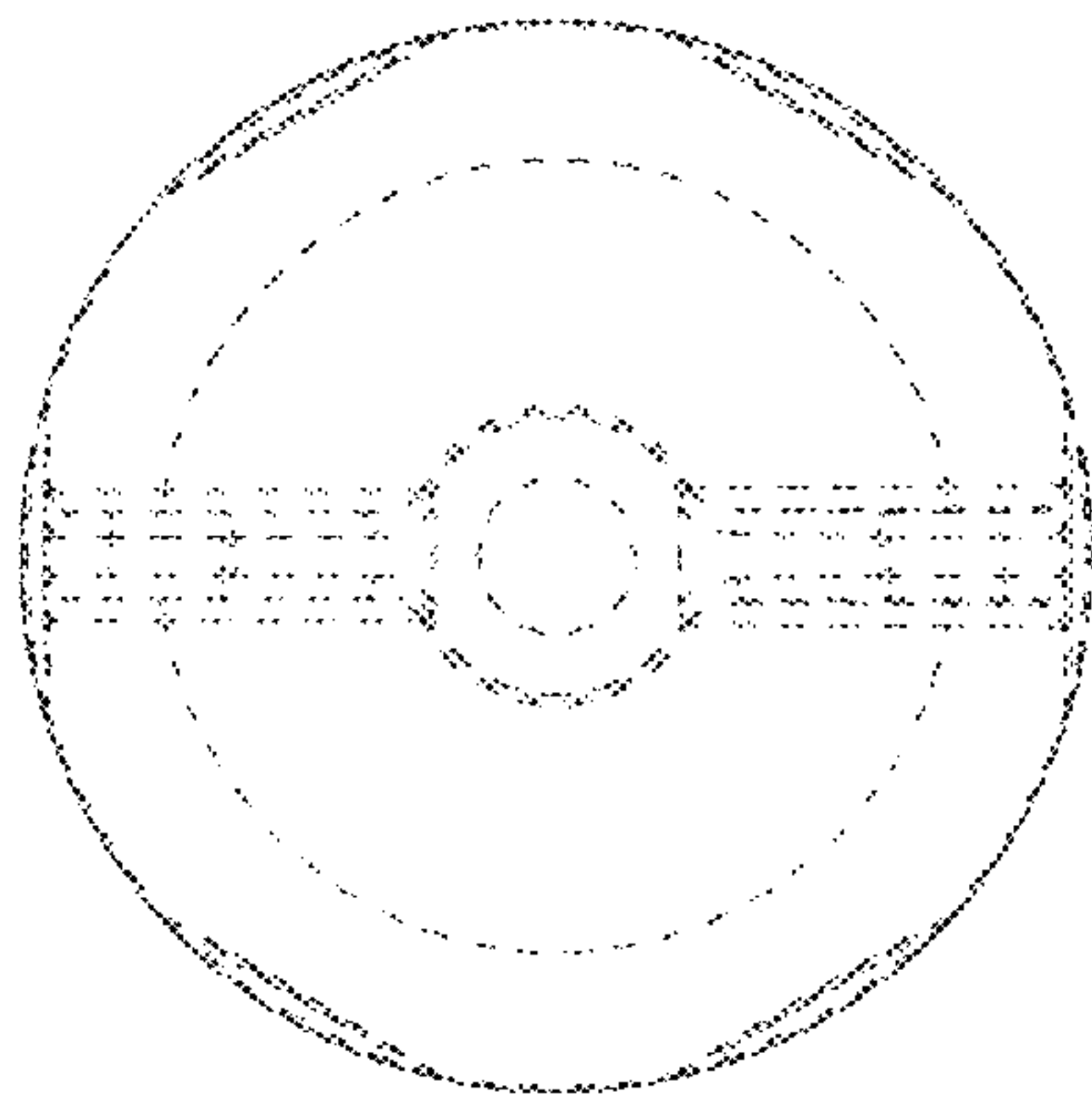


Figure 6

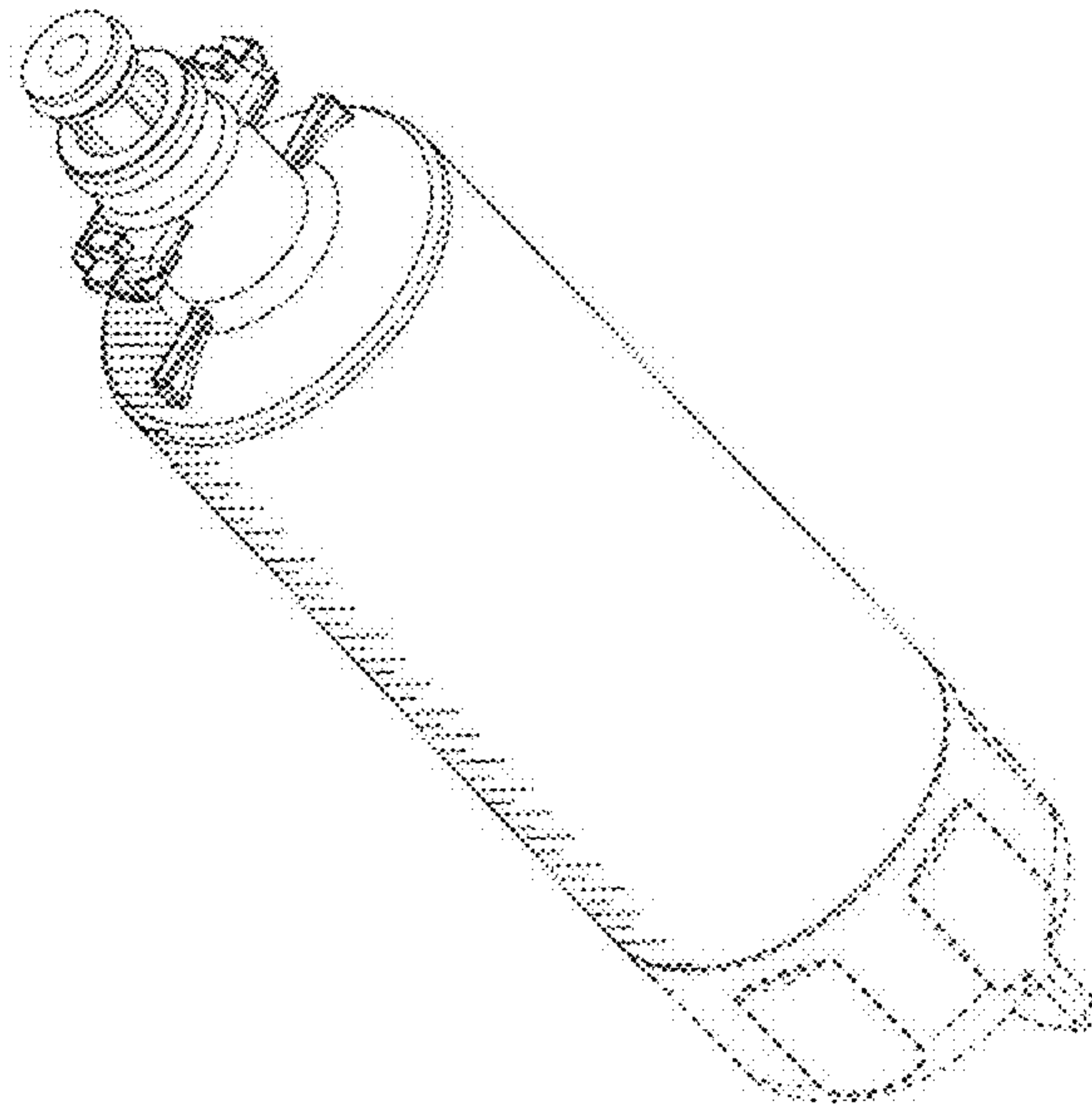


Figure 7