



US00D788879S

(12) **United States Design Patent**  
**Zou**

(10) **Patent No.:** **US D788,879 S**  
(45) **Date of Patent:** **\*\* Jun. 6, 2017**

- (54) **WATER FILTER**
- (71) Applicant: **HONGKONG ECOAQUA CO., LIMITED**, Chai Wan (HK)
- (72) Inventor: **Zhibin Zou**, Qingdao (CN)
- (73) Assignee: **HongKong EcoAqua Co., Ltd.**, Chai Wan (HK)
- (\*\*) Term: **15 Years**
- (21) Appl. No.: **29/550,260**
- (22) Filed: **Dec. 31, 2015**
- (51) **LOC (10) Cl.** ..... **23-01**
- (52) **U.S. Cl.**  
USPC ..... **D23/209**
- (58) **Field of Classification Search**  
USPC ..... D23/207, 209; 210/232, 234, 235, 236, 210/497.01  
CPC ..... B01D 35/30; B01D 35/153  
See application file for complete search history.

- 8,562,831 B2 \* 10/2013 Bors ..... B01D 35/306 210/232
- 8,741,137 B2 \* 6/2014 Ruprecht ..... B01D 35/30 210/232
- 8,801,682 B2 \* 8/2014 Kensy ..... A61M 1/0001 210/232
- D755,344 S \* 5/2016 Reckin ..... D23/209
- D762,812 S \* 8/2016 Branscomb ..... D23/209
- D767,712 S \* 9/2016 Huda ..... D23/207
- D768,814 S \* 10/2016 Dong ..... D23/209
- D772,379 S \* 11/2016 Tadlock ..... D23/209
- D776,237 S \* 1/2017 Dong ..... D23/207

\* cited by examiner

*Primary Examiner* — Robin V Webster  
(74) *Attorney, Agent, or Firm* — Schmeiser, Olsen & Watts, LLP

(57) **CLAIM**

The ornamental design for a water filter, as shown and described.

**DESCRIPTION**

FIG. 1 is a Front elevational view of a water filter showing my new design;  
FIG. 2 is a Rear elevational view thereof;  
FIG. 3 is an enlarged right side view thereof;  
FIG. 4 is an enlarged left side view thereof;  
FIG. 5 is a Top plan view thereof;  
FIG. 6 is a Bottom plan view thereof; and,  
FIG. 7 is a Perspective view thereof.

**1 Claim, 7 Drawing Sheets**

- (56) **References Cited**  
U.S. PATENT DOCUMENTS
- D493,207 S \* 7/2004 Ueda ..... D23/209
- 7,147,773 B2 \* 12/2006 Mitchell ..... B01D 35/153 210/136
- D570,951 S \* 6/2008 Morita ..... D23/209
- D654,566 S \* 2/2012 Kruckenberg ..... D23/209
- 8,398,853 B2 \* 3/2013 An ..... B01D 35/147 137/594
- D679,779 S \* 4/2013 Reid ..... D23/209

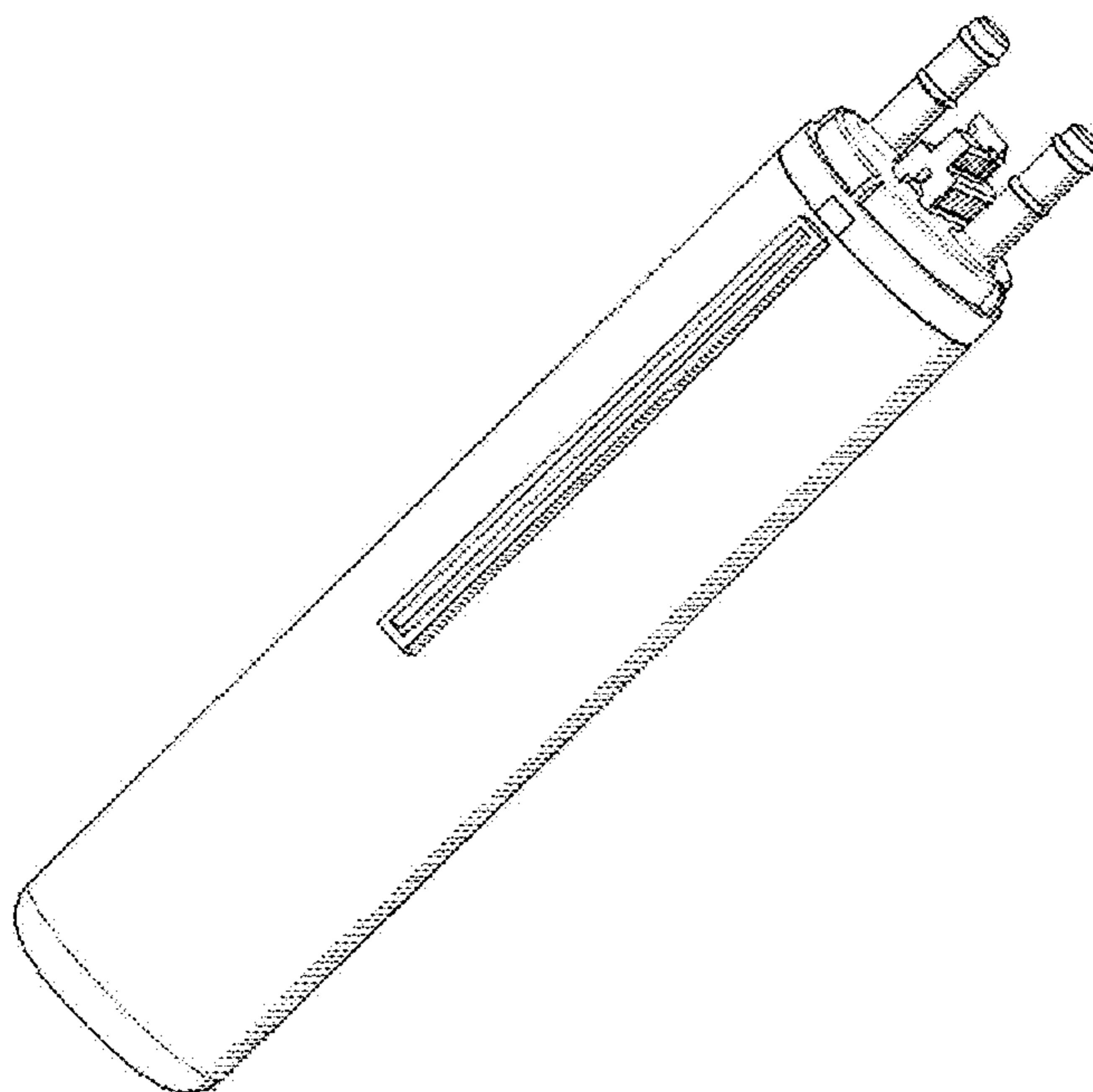


FIG 1

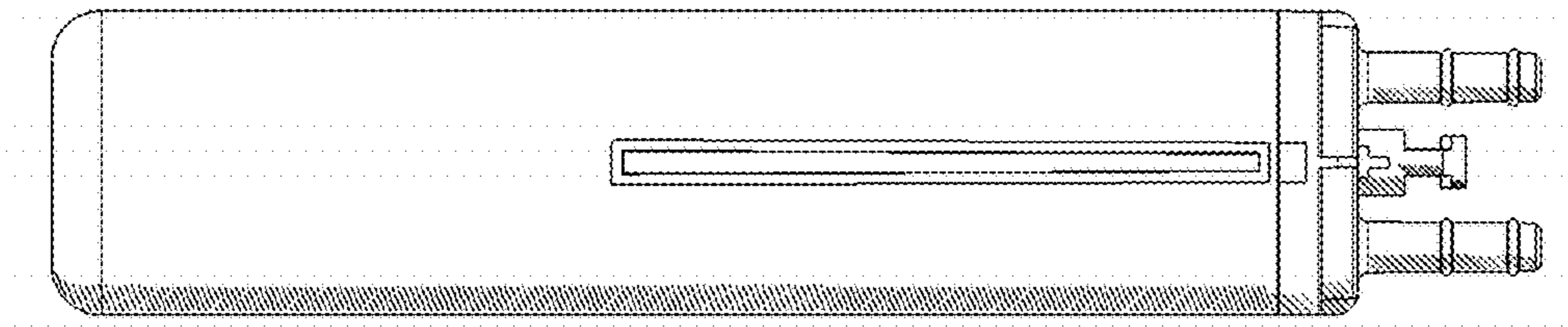


FIG 2

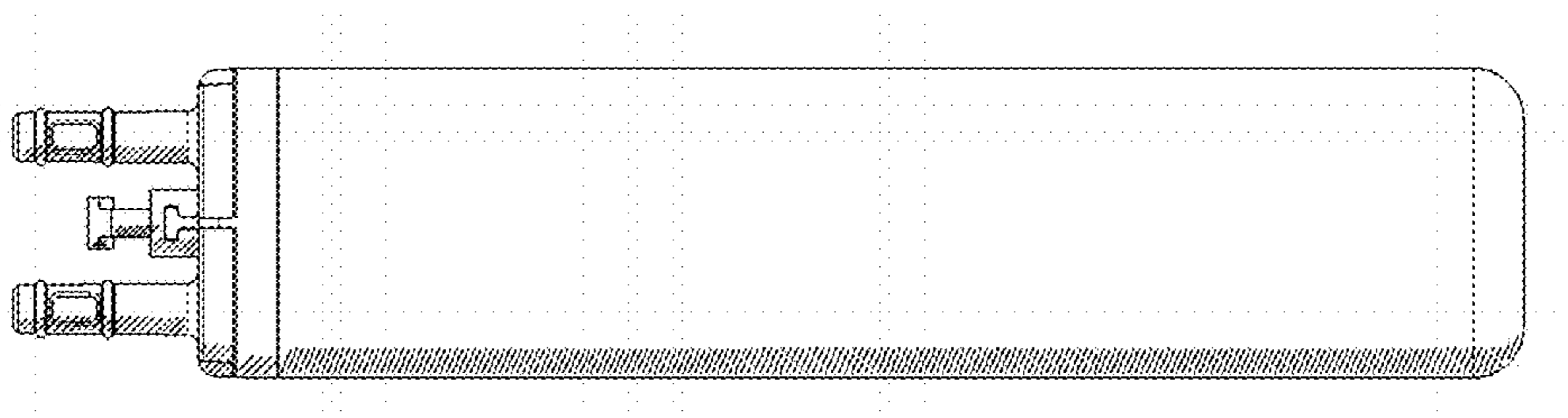
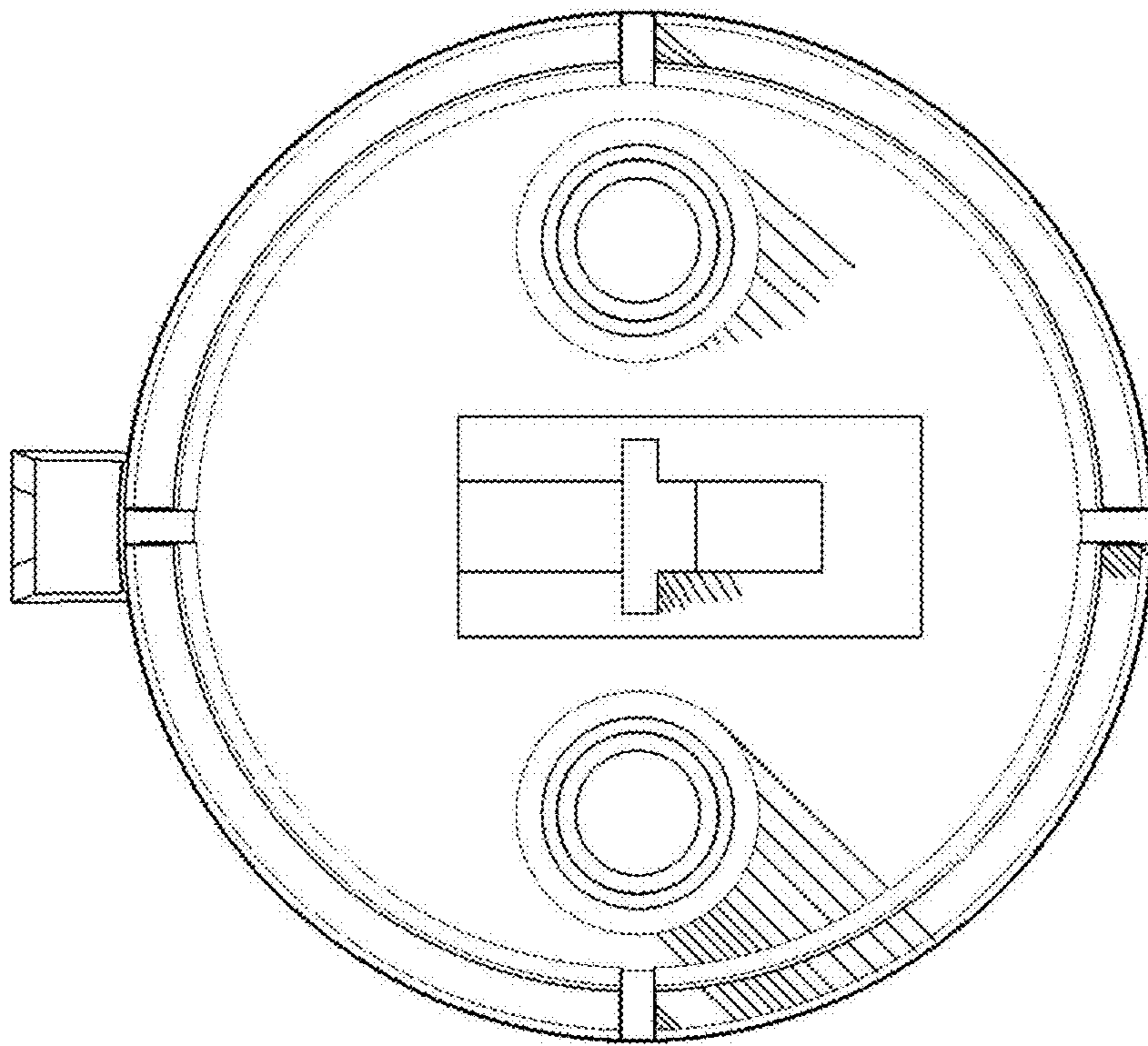
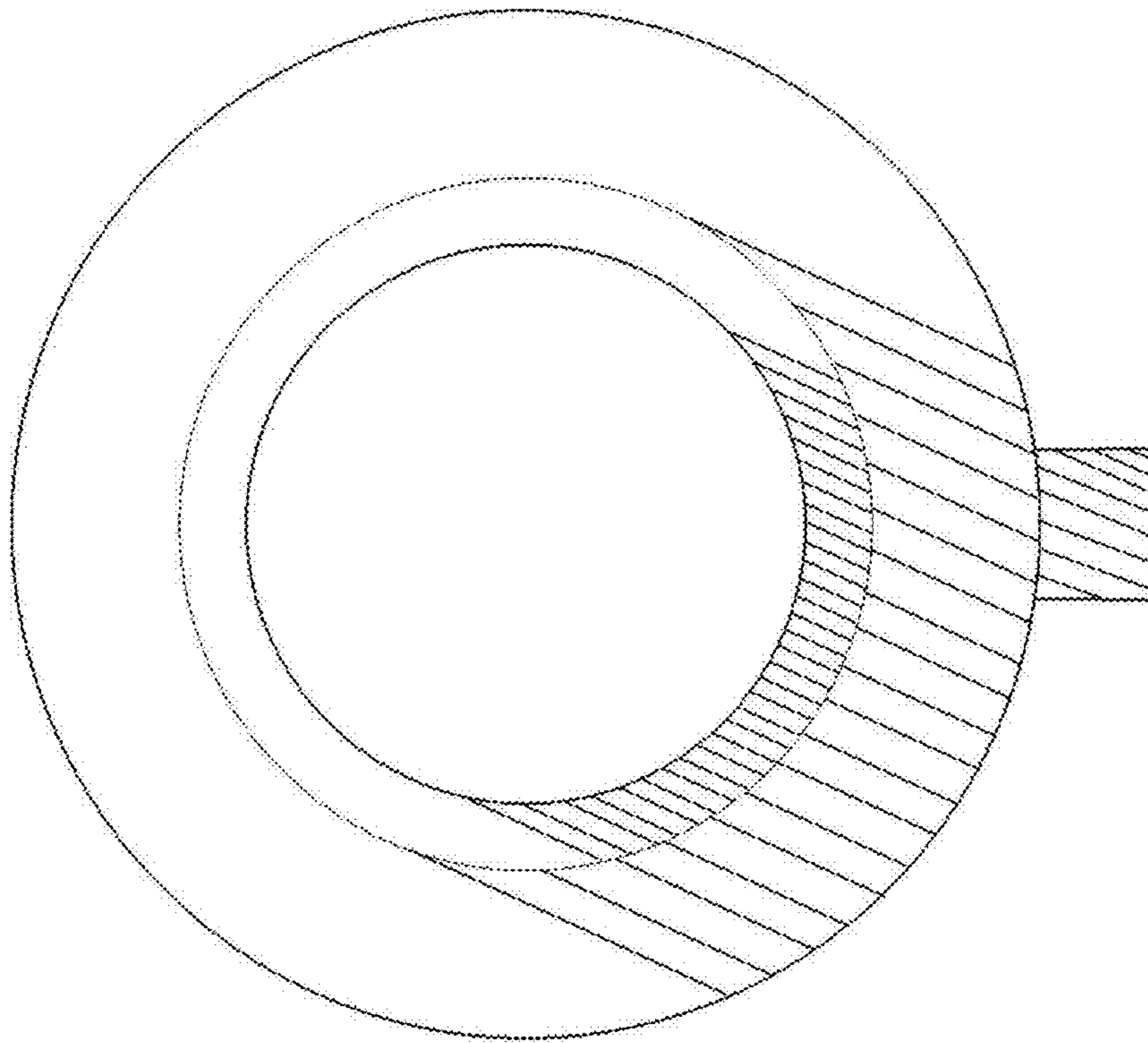


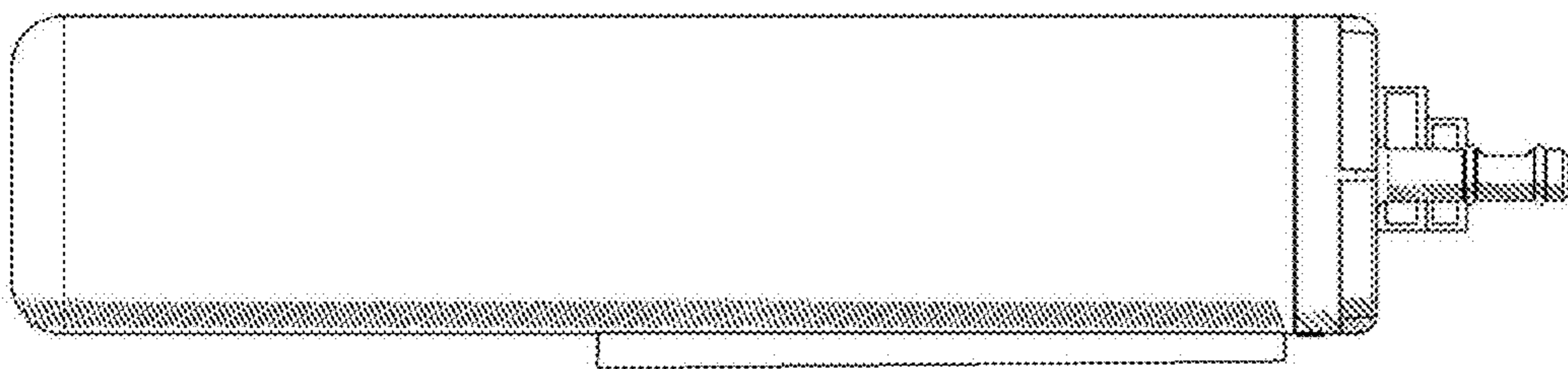
FIG 3



**FIG 4**



**FIG 5**



**FIG 6**

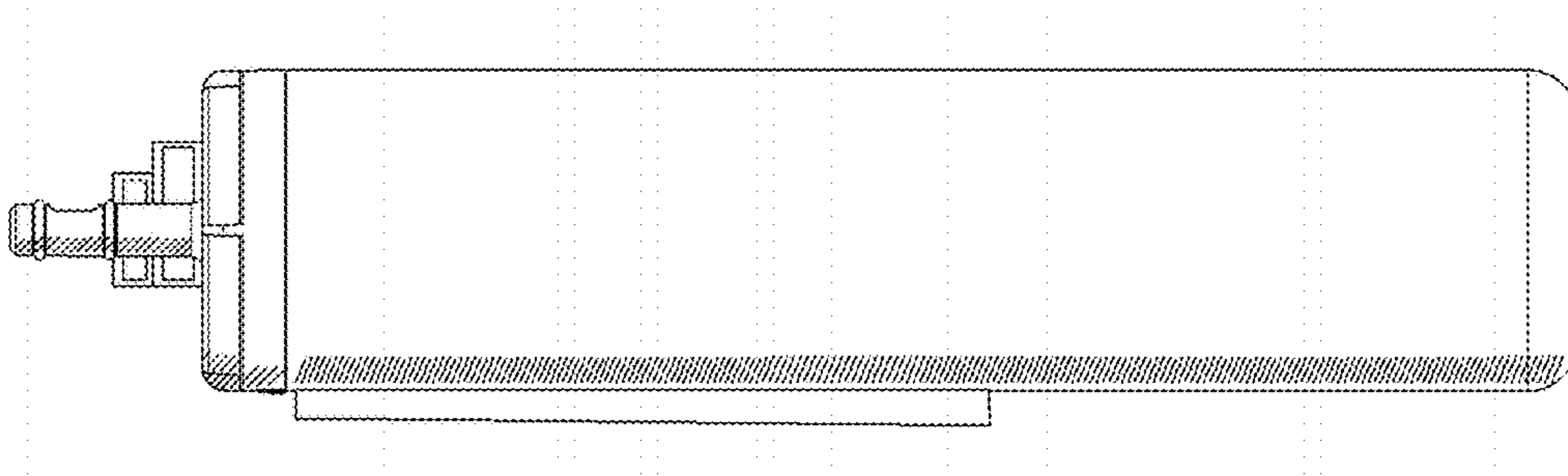


FIG 7

