



US00D788878S

(12) **United States Design Patent**  
**Smith, Jr.**

(10) **Patent No.:** **US D788,878 S**

(45) **Date of Patent:** **\*\* Jun. 6, 2017**

(54) **FLOATING WATER IONIZER**

7,922,982 B1 \* 4/2011 Brennan ..... C02F 1/688  
210/167.11

(71) Applicant: **J. Murray Smith, Jr.**, Dallas, TX (US)

\* cited by examiner

(72) Inventor: **J. Murray Smith, Jr.**, Dallas, TX (US)

*Primary Examiner* — Robin V Webster

(\*\*) Term: **15 Years**

(74) *Attorney, Agent, or Firm* — Yee & Associates, P.C.

(21) Appl. No.: **29/561,475**

(57) **CLAIM**

The ornamental design for a floating water ionizer, as shown and described.

(22) Filed: **Apr. 15, 2016**

**DESCRIPTION**

(51) **LOC (10) Cl.** ..... **23-01**

(52) **U.S. Cl.**

USPC ..... **D23/207; D23/208**

(58) **Field of Classification Search**

USPC ..... D23/207, 208, 209; 422/265; 210/198.1

CPC ..... C02F 1/24; C02F 1/688

See application file for complete search history.

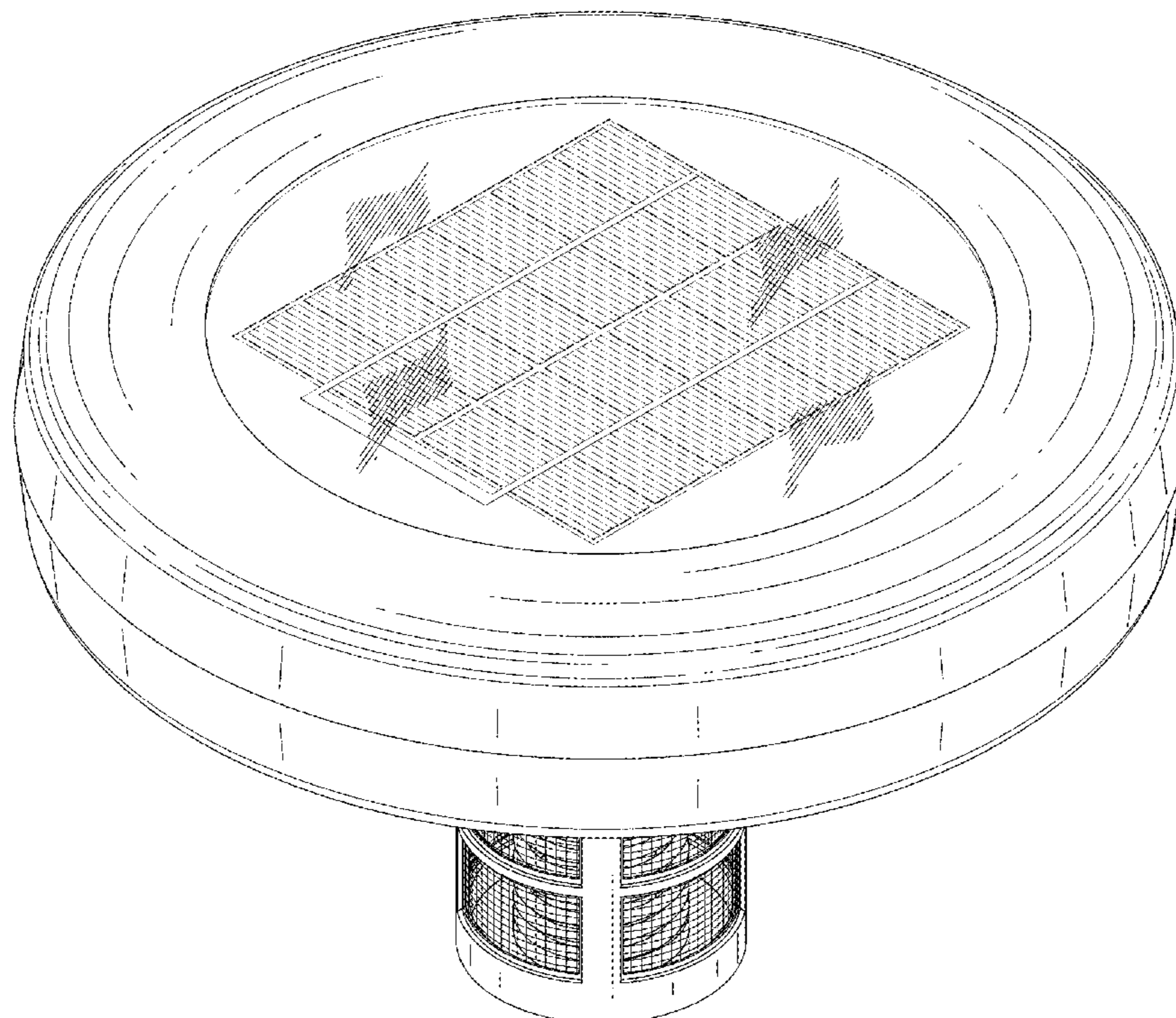
FIG. 1 is an isometric top-side view of a floating water ionizer in accordance with the claimed design;  
FIG. 2 is a front view of a floating water ionizer in accordance with the claimed design;  
FIG. 3 is a rear view of a floating water ionizer in accordance with the claimed design;  
FIG. 4 is a right side view of a floating water ionizer in accordance with the claimed design;  
FIG. 5 is a left side view of a floating water ionizer in accordance with the claimed design;  
FIG. 6 is a top side view of a floating water ionizer in accordance with the claimed design;  
FIG. 7 is a bottom side view of a floating water ionizer in accordance with the claimed design;  
FIG. 8 is an isometric bottom-side view of a floating water ionizer in accordance with the claimed design; and,  
FIG. 9 is an exploded isometric bottom-side view of a floating water ionizer in accordance with the claimed design. The broken line showing of the screw in FIGS. 7-9 is included for the purpose of illustrating and forms no part of the claimed design.

(56) **References Cited**

**U.S. PATENT DOCUMENTS**

4,630,634 A *	12/1986	Sasaki	.....	C02F 1/688
				137/268
D318,091 S *	7/1991	Sherman	.....	D23/209
D318,094 S *	7/1991	Sherman	.....	D23/209
5,053,205 A *	10/1991	Taylor	.....	C02F 1/688
				210/167.11
D451,979 S *	12/2001	VanErdewyk	.....	D23/208
D559,943 S *	1/2008	Mercer	.....	D23/207
7,497,947 B2 *	3/2009	Knighton	.....	C02F 1/50
				210/198.1
D630,705 S *	1/2011	Rossano	.....	D23/208

**1 Claim, 9 Drawing Sheets**



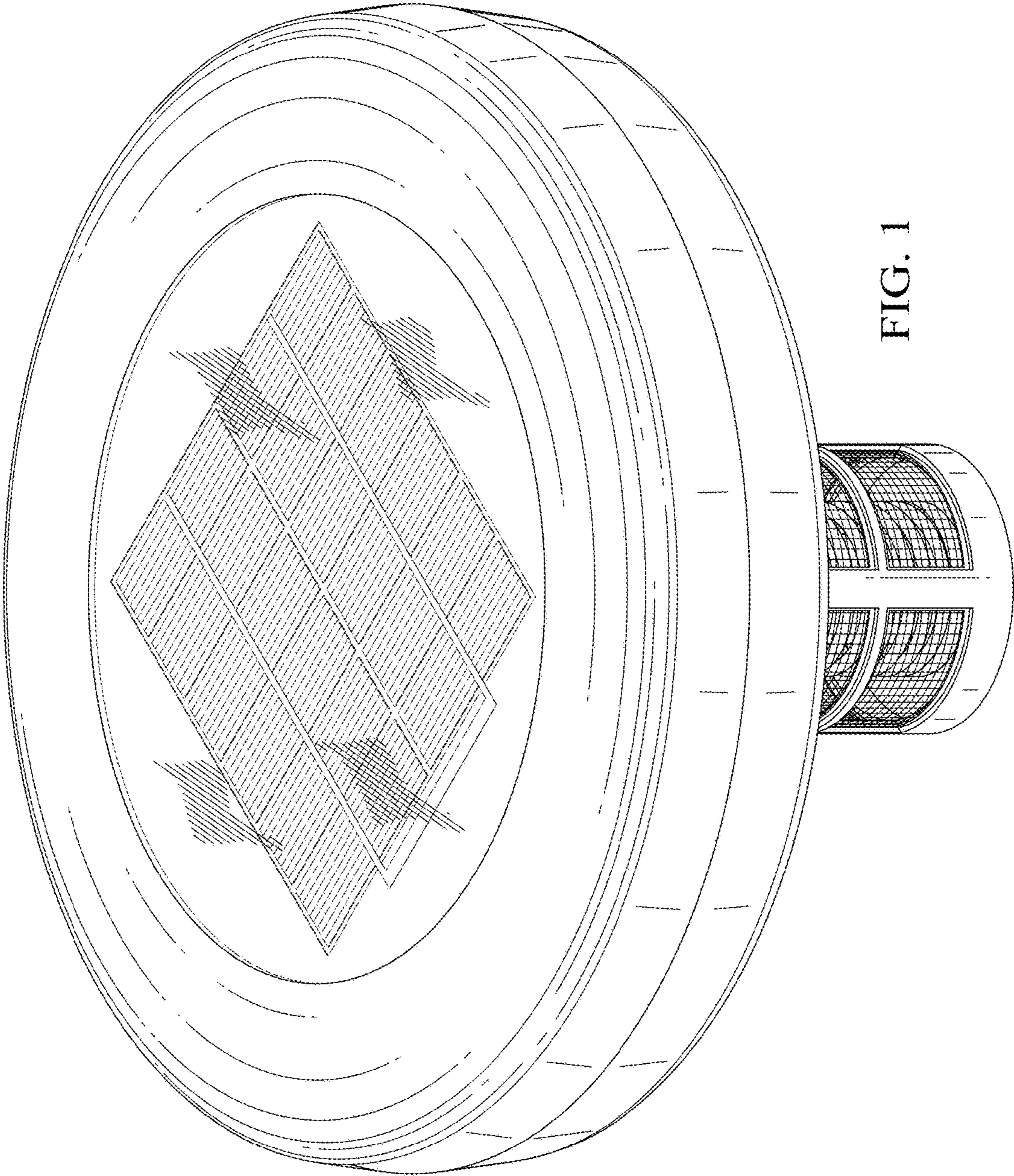


FIG. 1

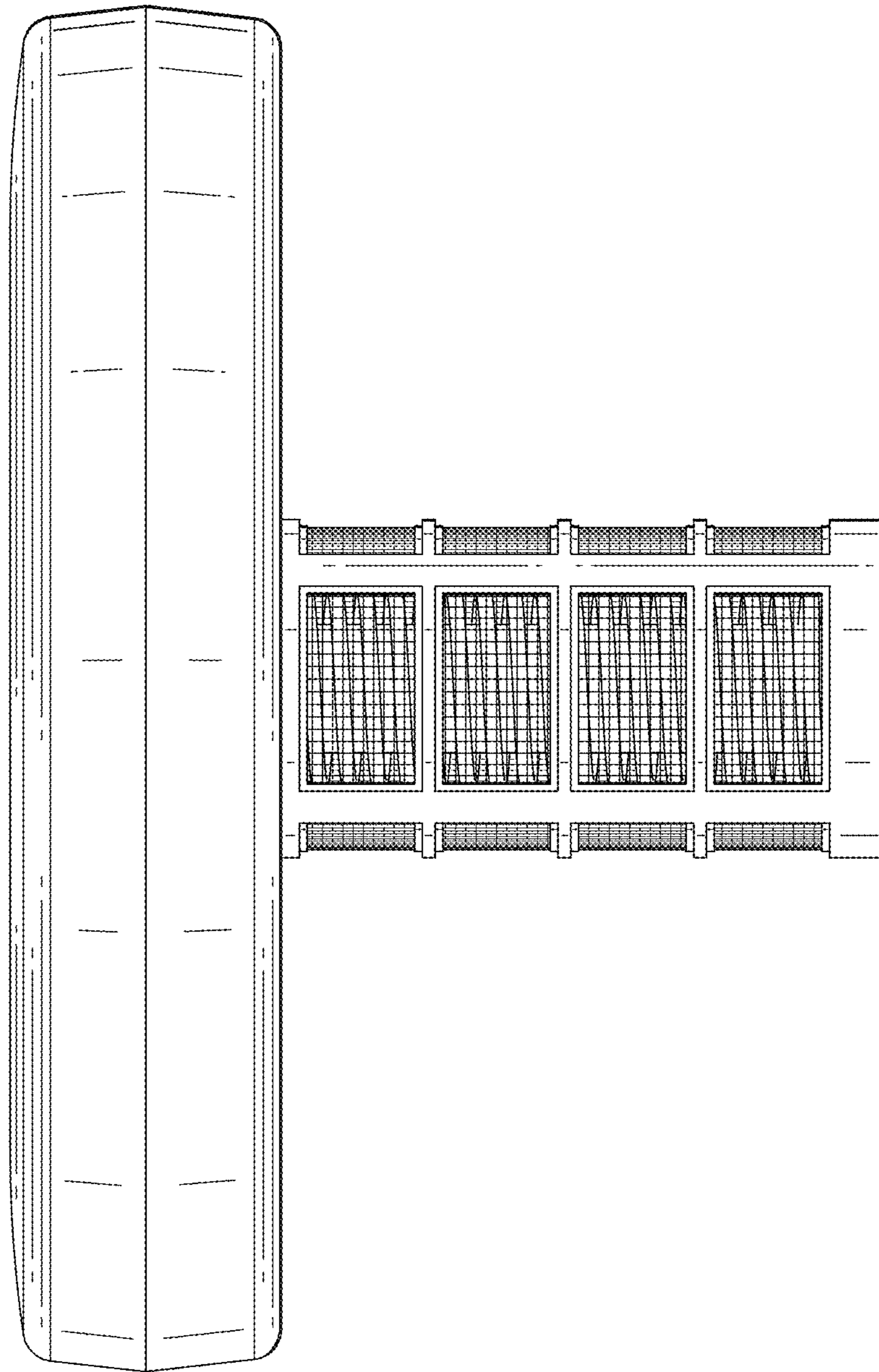


FIG. 2

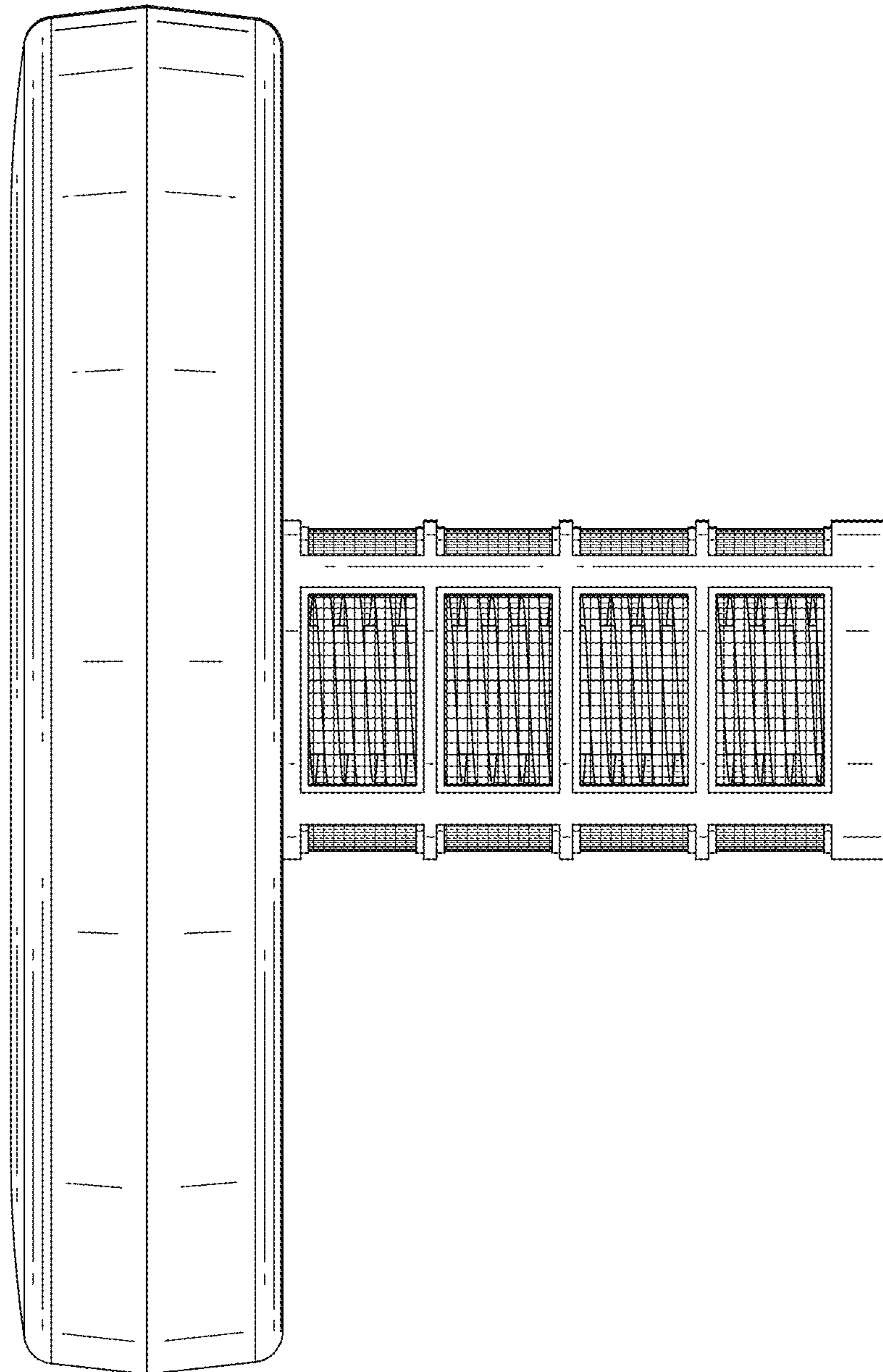


FIG. 3

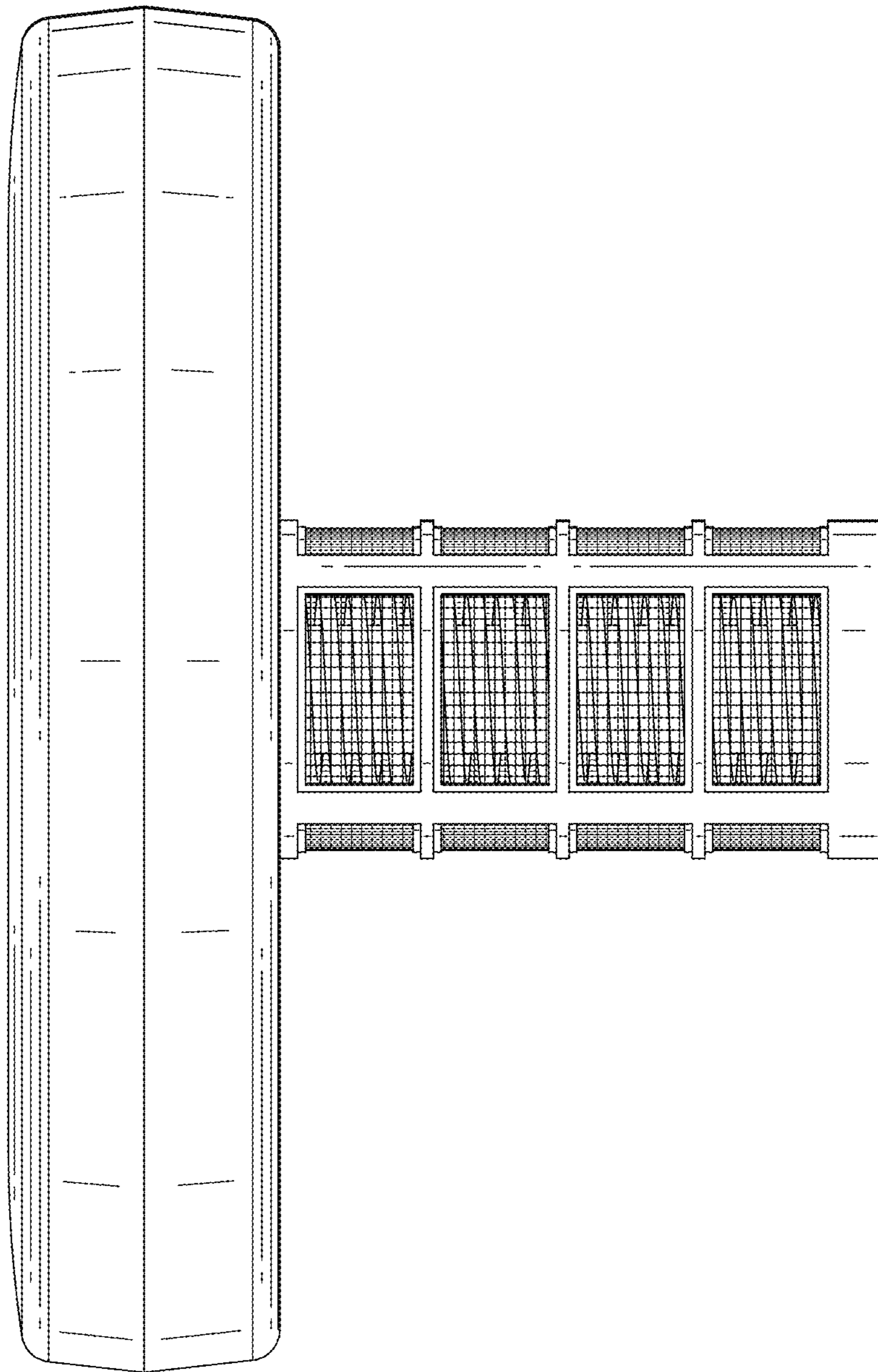


FIG. 4

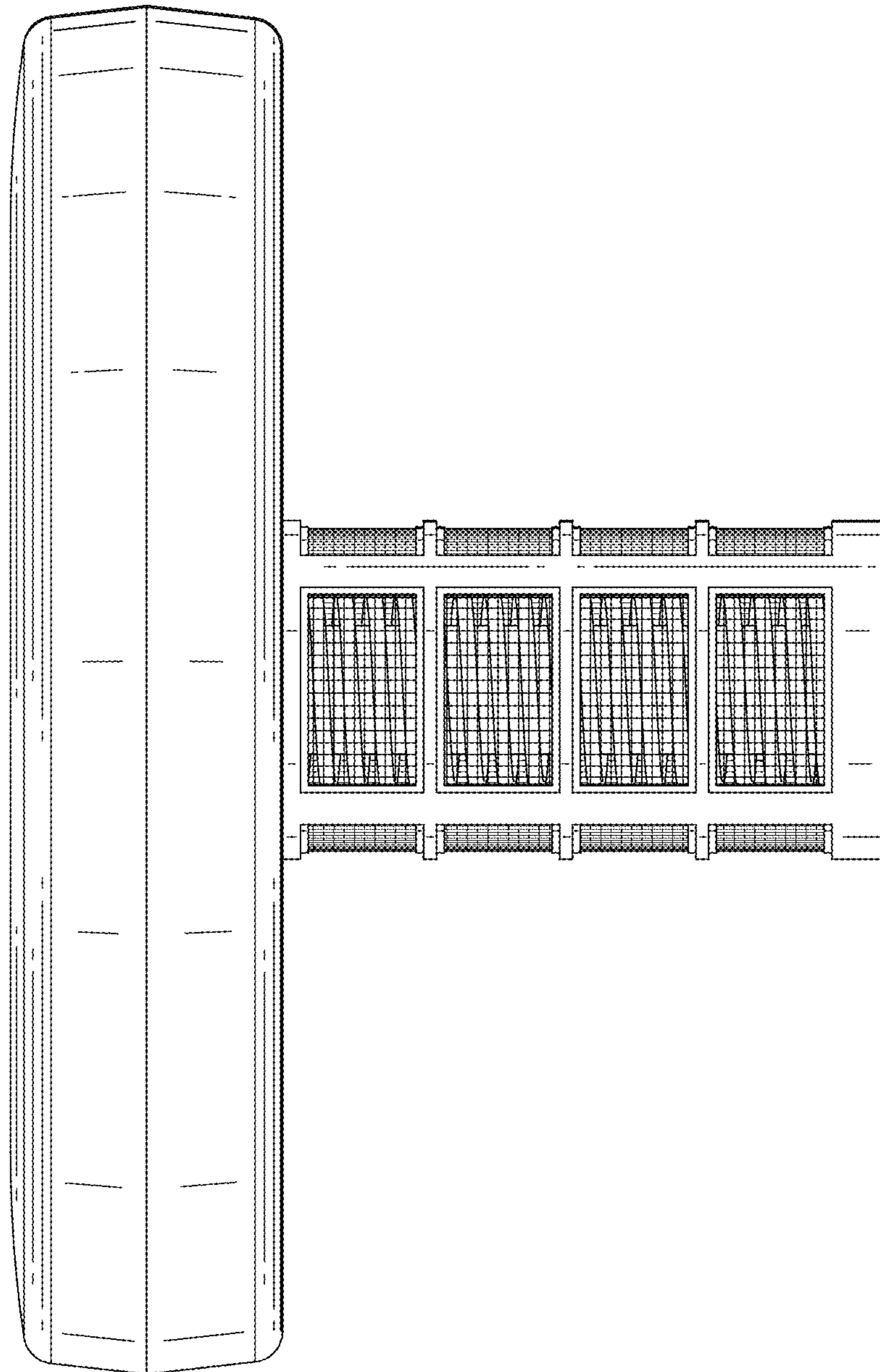


FIG. 5

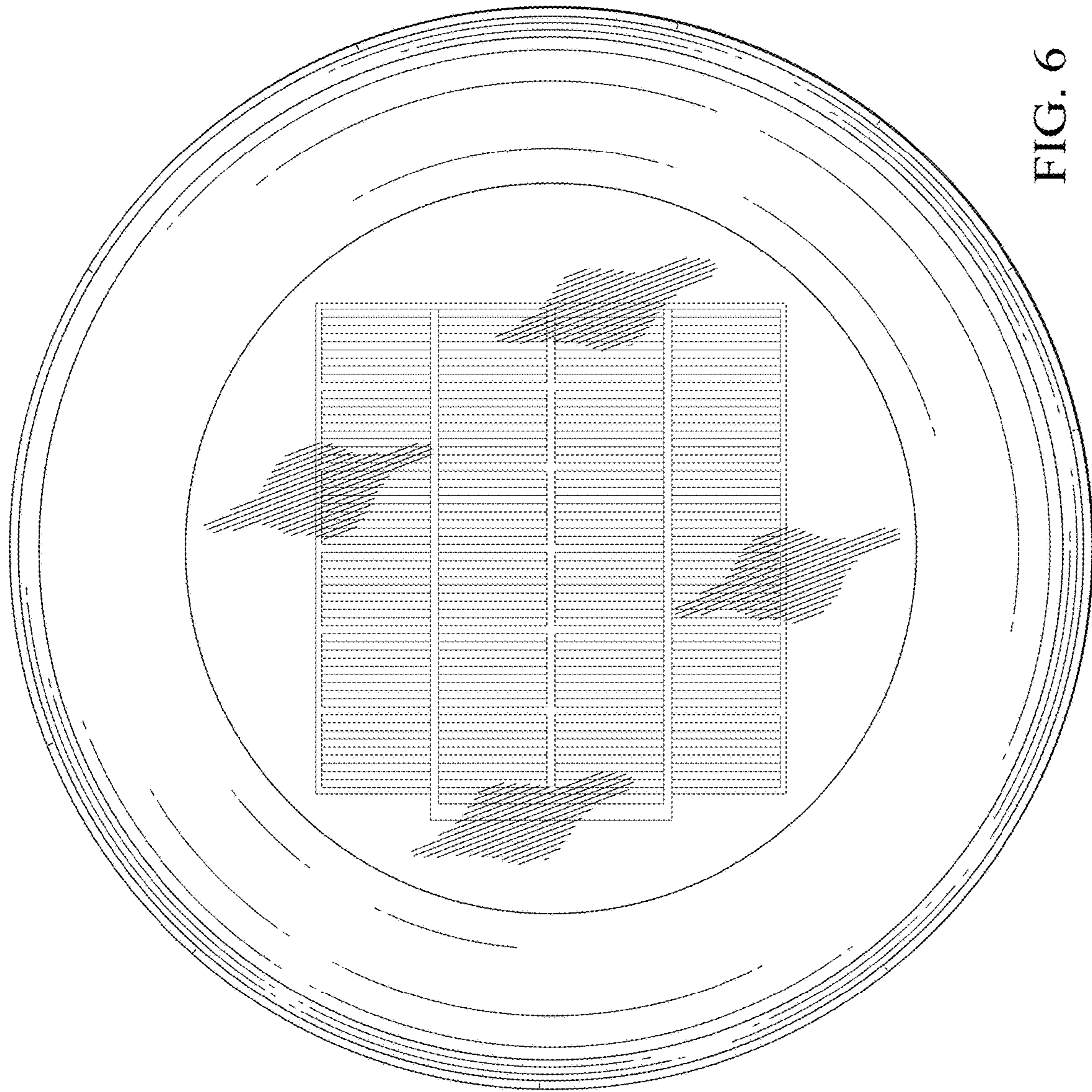


FIG. 6

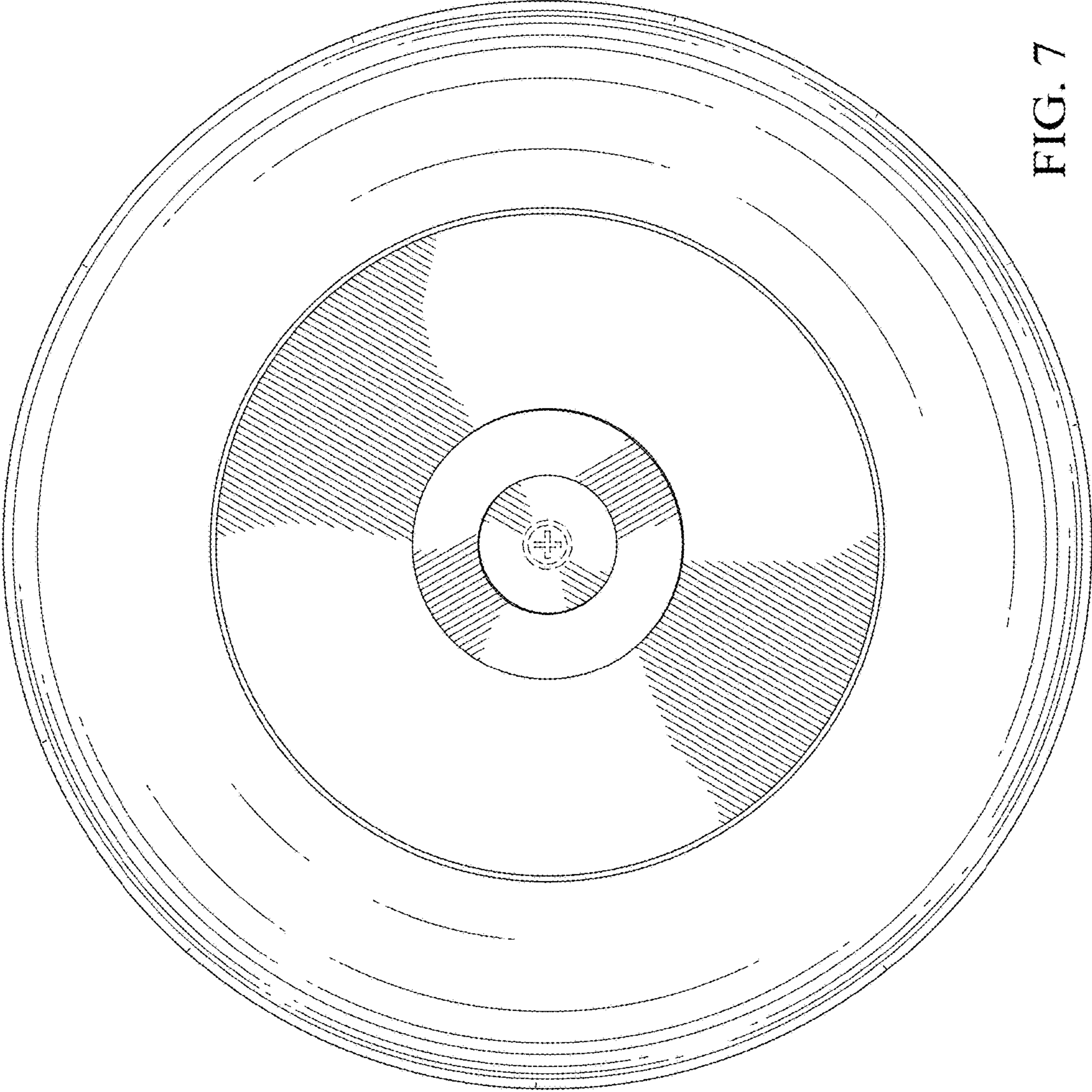


FIG. 7



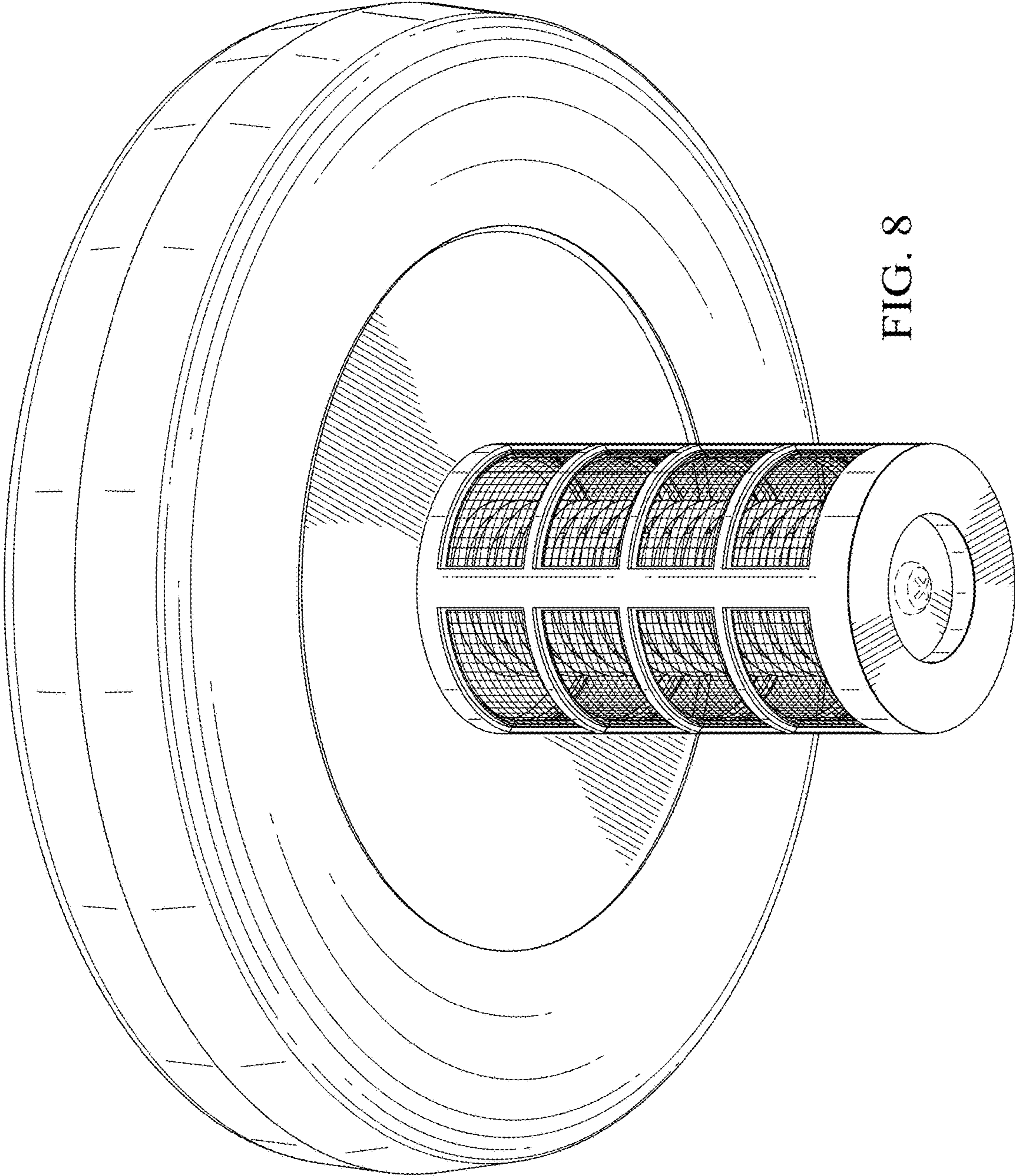


FIG. 8

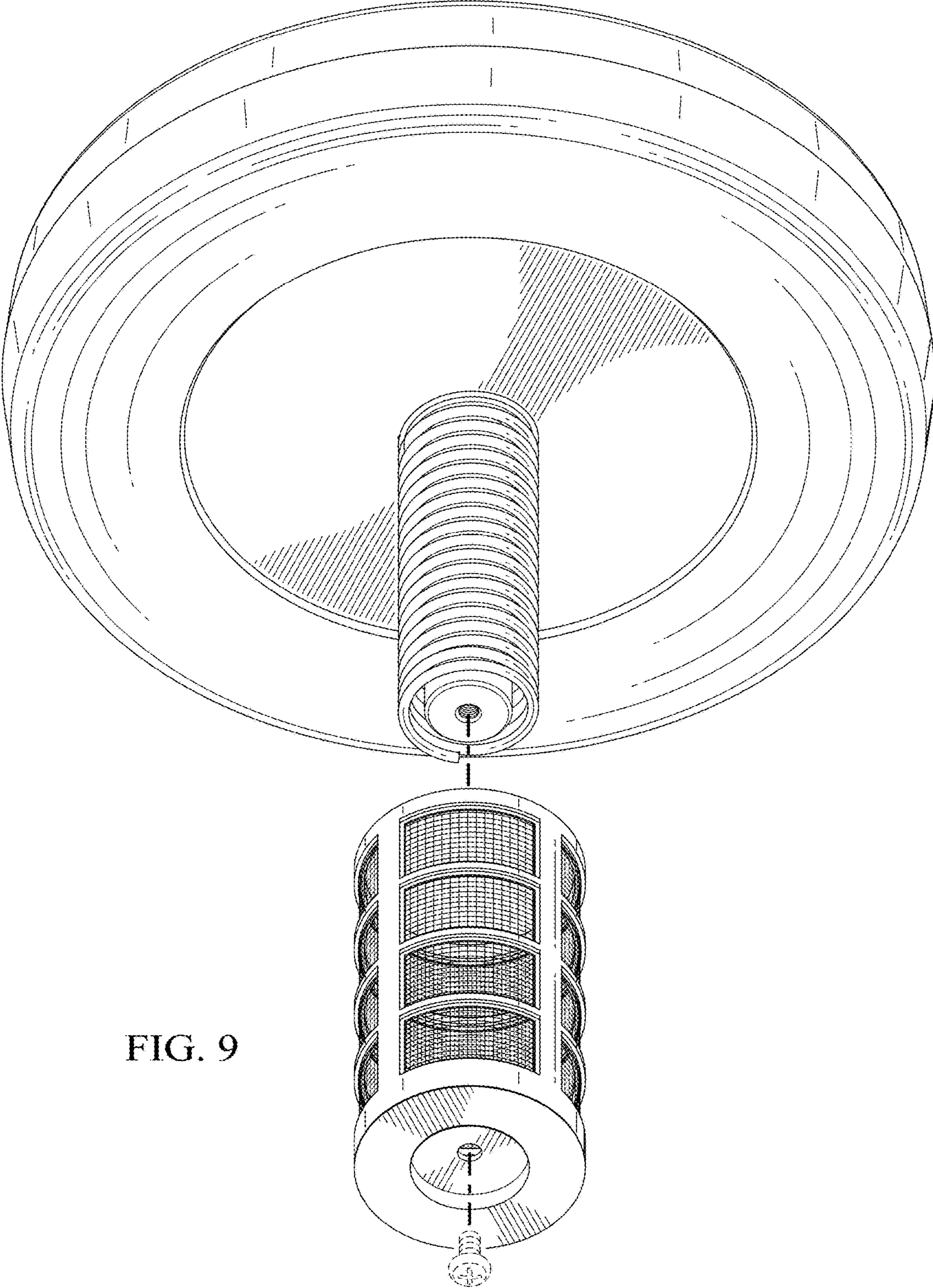


FIG. 9