



US00D788877S

(12) **United States Design Patent**
Yoon

(10) **Patent No.:** **US D788,877 S**
(45) **Date of Patent:** **** Jun. 6, 2017**

- (54) **WATER IONIZER**
- (71) Applicant: **Taeyoung E&T Co., Ltd.**, Yangsan-si,
Gyeongsangnam-do (KR)
- (72) Inventor: **Taeyoung Yoon**, Busan (KR)
- (73) Assignee: **TAEYOUNG E&T CO., LTD.**,
Yangsan-si, Gyeongsangnam-do (KR)
- (**) Term: **15 Years**
- (21) Appl. No.: **29/556,038**
- (22) Filed: **Feb. 26, 2016**
- (51) **LOC (10) Cl.** **23-01**
- (52) **U.S. Cl.**
USPC **D23/207**
- (58) **Field of Classification Search**
USPC D23/207, 209; 204/600, 660; 202/81,
202/83, 185.3; 210/85, 241, 190, 191;
D7/306
CPC C02F 1/42
See application file for complete search history.

- D485,330 S * 1/2004 Shyu D23/207
- D504,935 S * 5/2005 Taneike D23/207
- D590,044 S * 4/2009 Cho D23/207
- D596,702 S * 7/2009 Chen D23/207
- D618,301 S * 6/2010 Cho D23/207
- D718,414 S * 11/2014 Lo D23/207
- D767,711 S * 9/2016 Anumalasetty D23/207

* cited by examiner

Primary Examiner — Robin V Webster

(74) *Attorney, Agent, or Firm* — Rabin & Berdo, P.C.

(57) **CLAIM**

The ornamental design for a water ionizer, as shown and described.

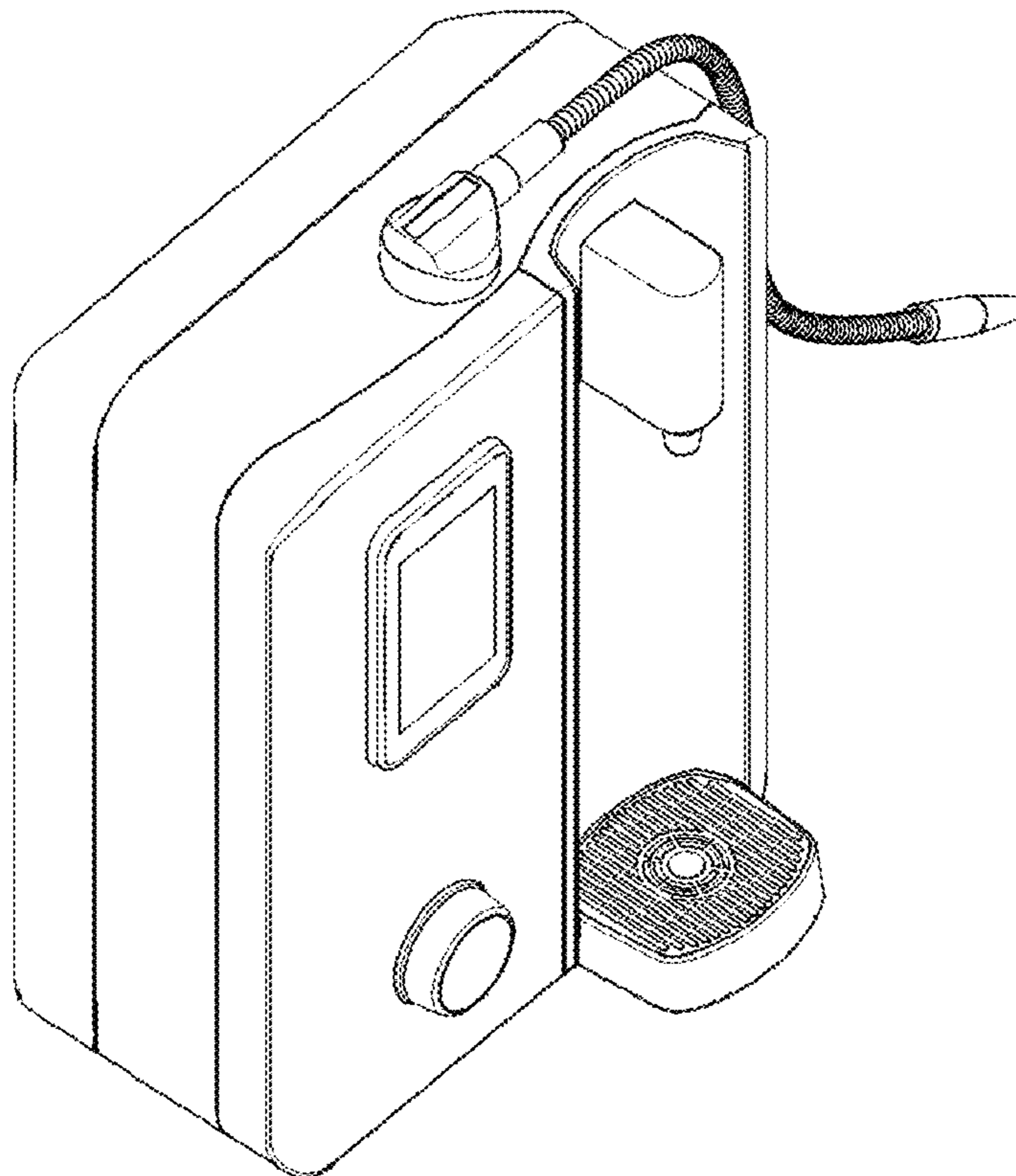
DESCRIPTION

FIG. 1 is a perspective view of a water ionizer showing my new design;
FIG. 2 is a front elevational view thereof;
FIG. 3 is a rear elevational view thereof;
FIG. 4 is a left side elevational view thereof;
FIG. 5 is a right side elevational view thereof;
FIG. 6 is a top view thereof; and,
FIG. 7 is a bottom view thereof.

1 Claim, 7 Drawing Sheets

(56) **References Cited**
U.S. PATENT DOCUMENTS

- D295,656 S * 5/1988 Bond D23/207
- D453,951 S * 2/2002 Kim D23/207



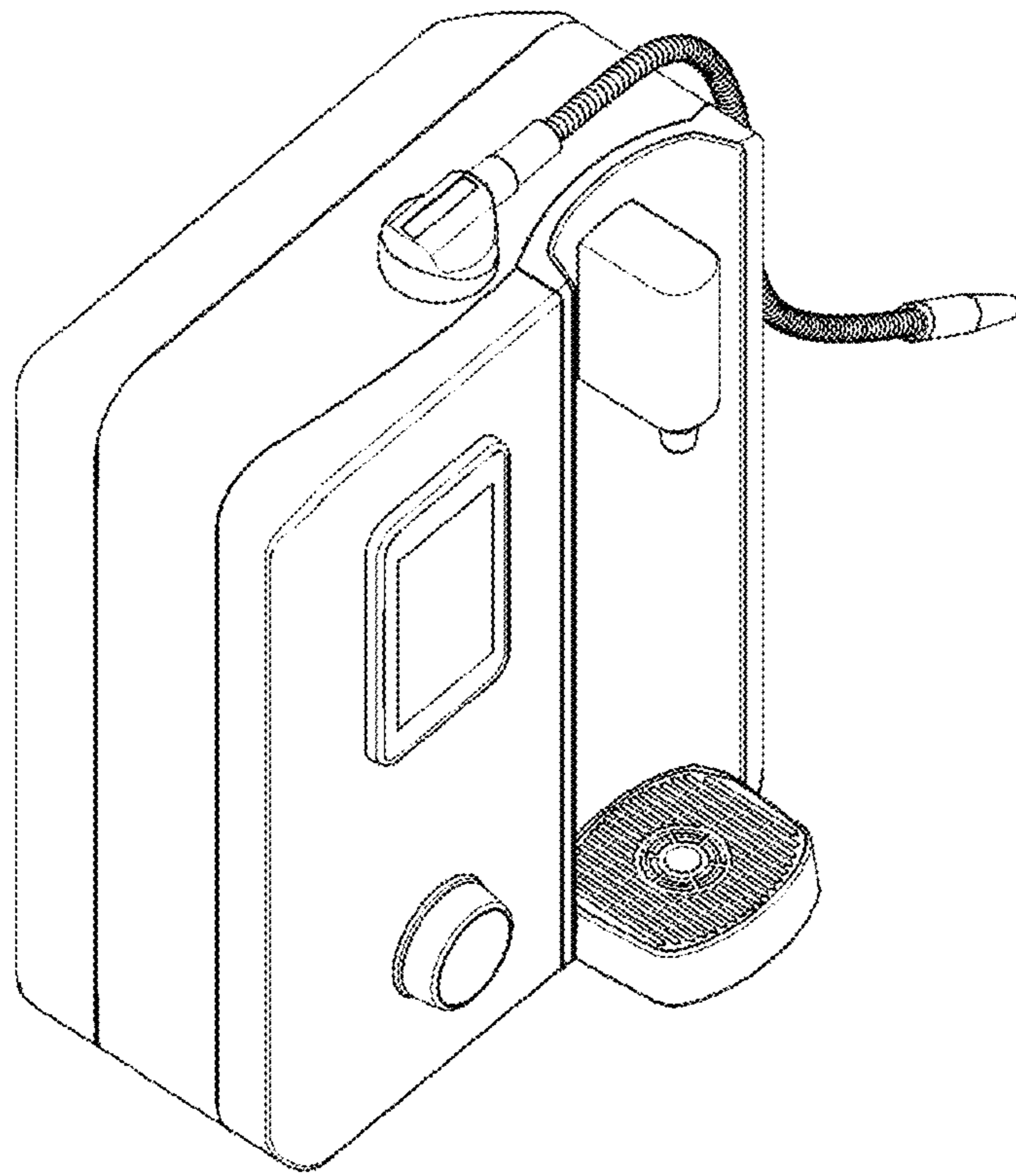


FIG. 1

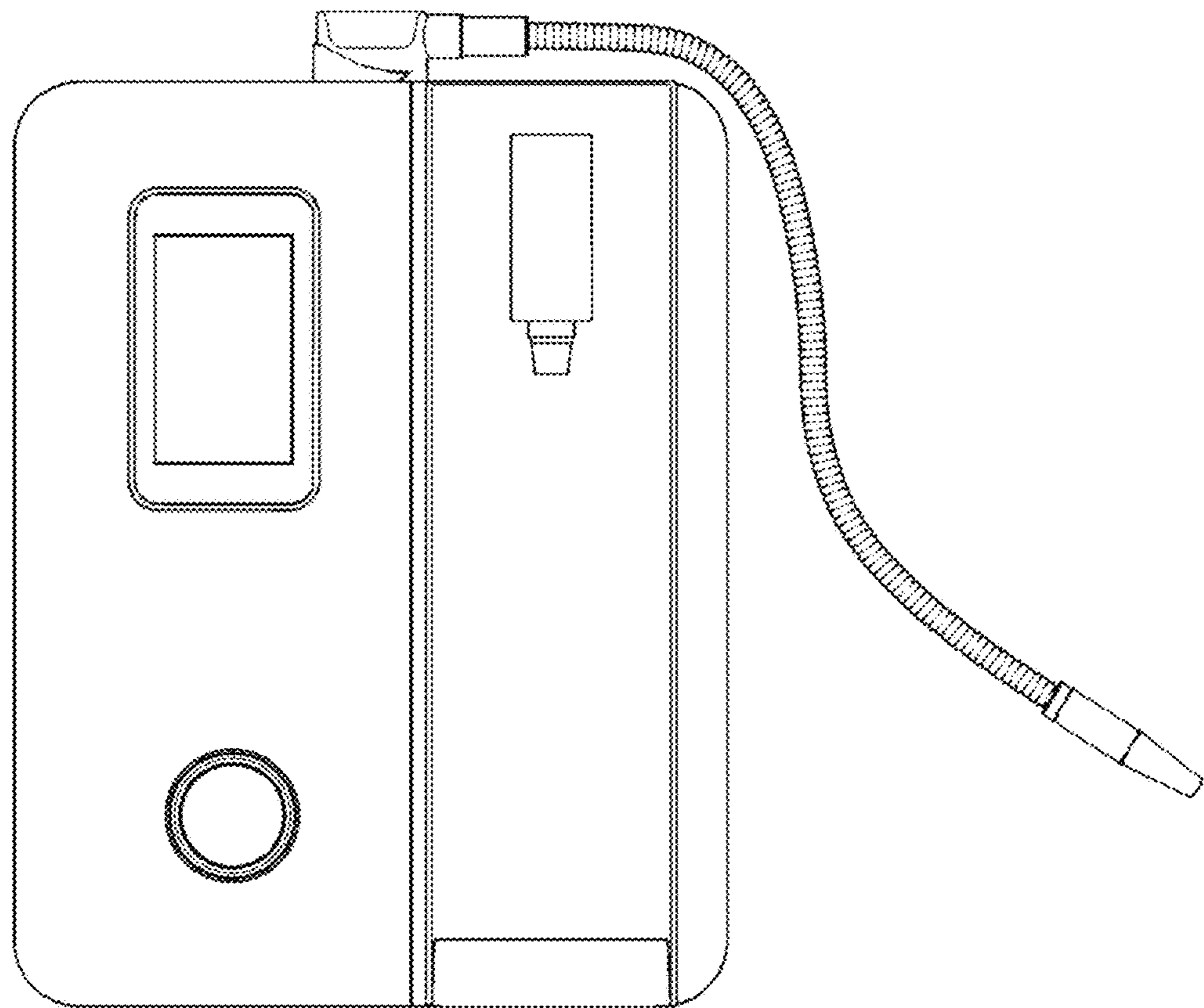


FIG. 2

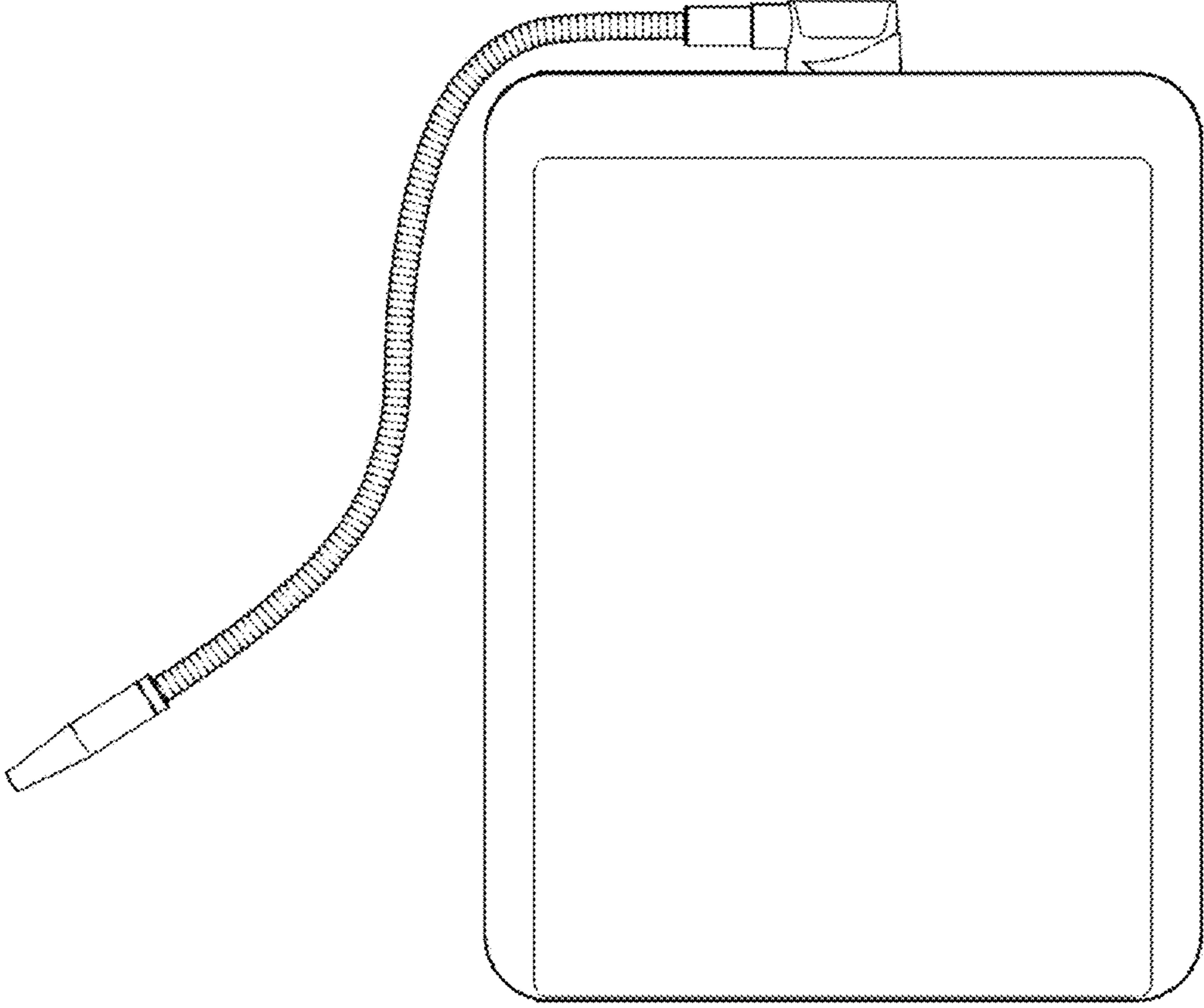


FIG. 3

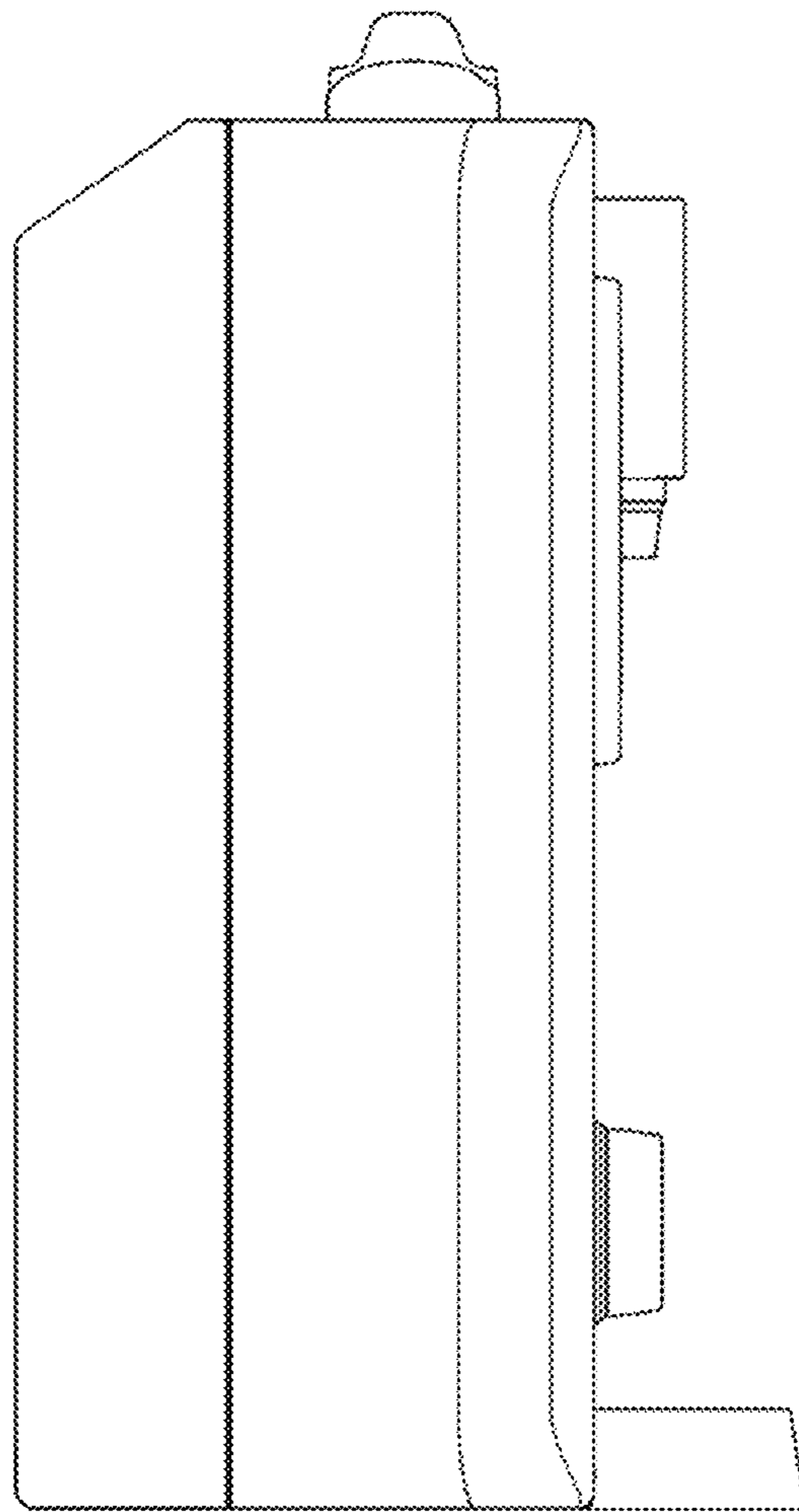


FIG. 4

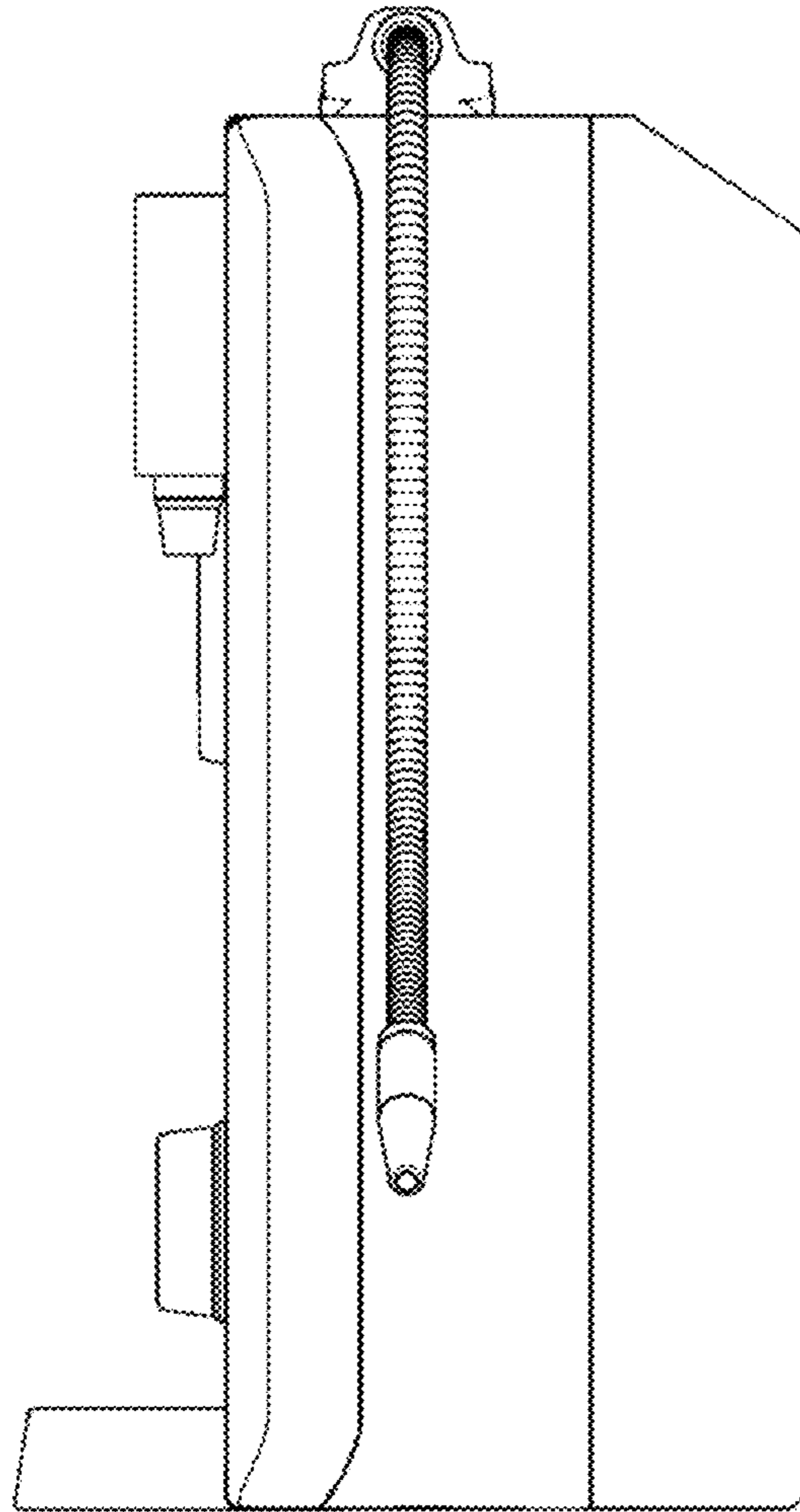


FIG. 5

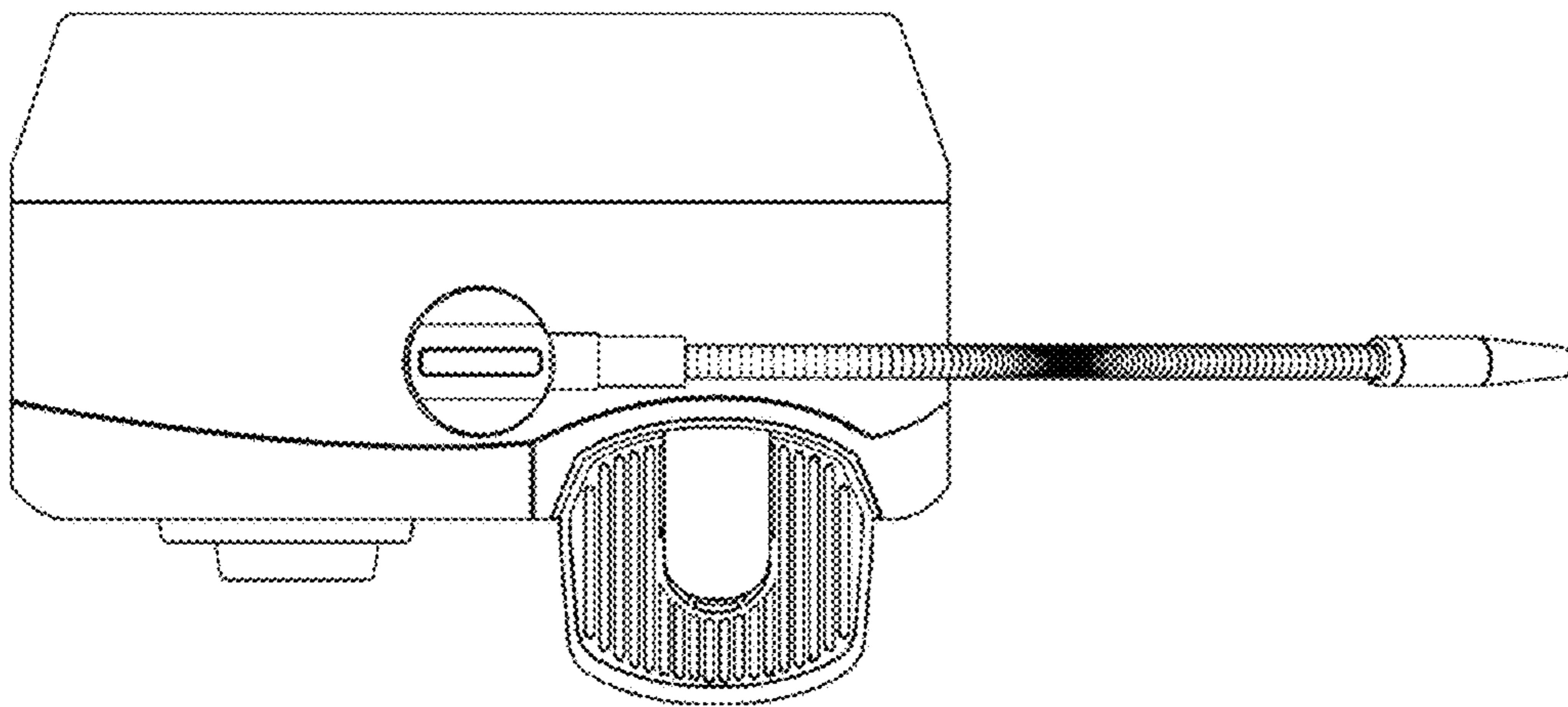


FIG. 6

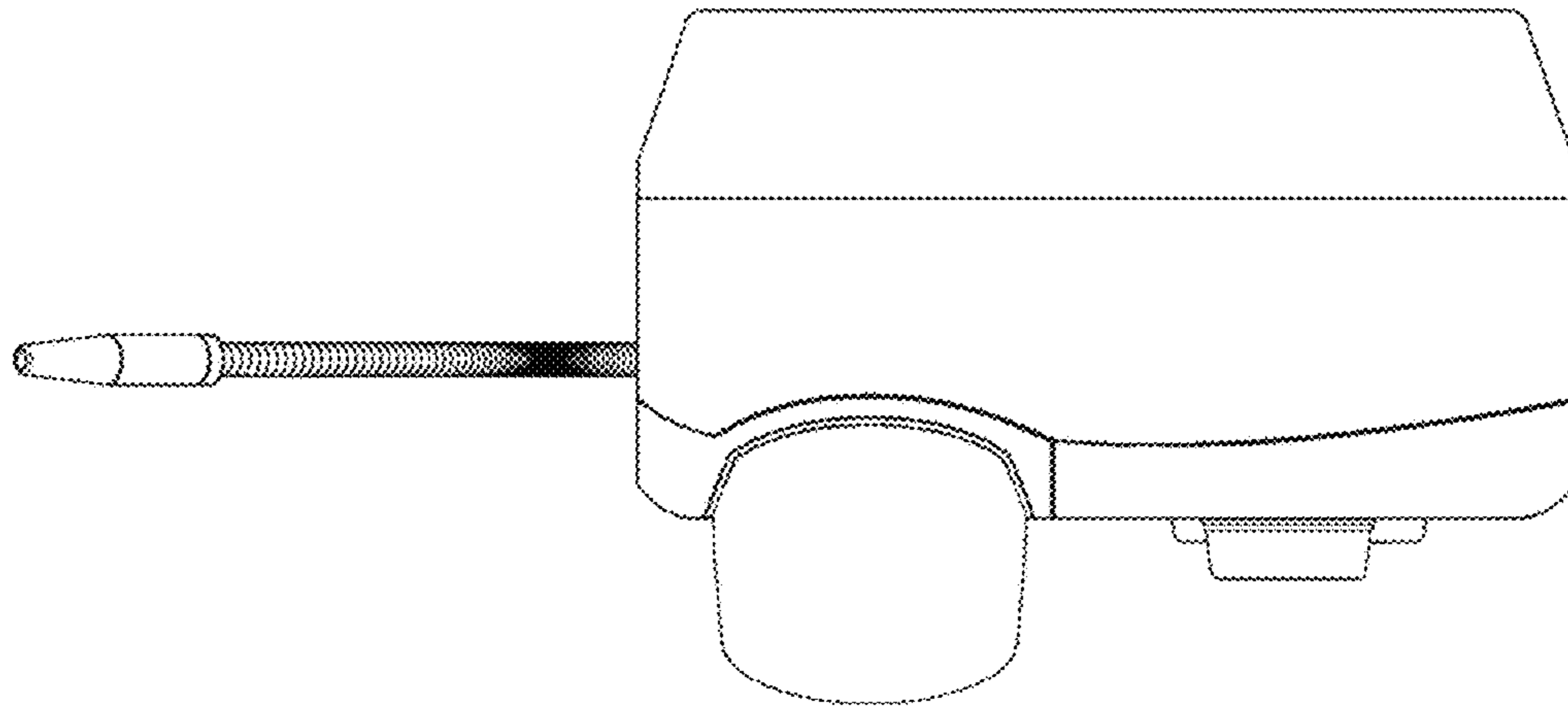


FIG. 7