



US00D788876S

(12) **United States Design Patent** (10) **Patent No.:** **US D788,876 S**
Brooks (45) **Date of Patent:** **** Jun. 6, 2017**

(54) **BODY TARGET STAND**
(71) Applicant: **Kevin Brooks**, Leitchfield, KY (US)
(72) Inventor: **Kevin Brooks**, Leitchfield, KY (US)
(73) Assignee: **Decoy Stake Solutions, LLC**,
Leitchfield, KY (US)
(**) Term: **15 Years**
(21) Appl. No.: **29/505,535**
(22) Filed: **Dec. 10, 2015**
(51) **LOC (10) Cl.** **22-04**
(52) **U.S. Cl.**
USPC **D22/113**
(58) **Field of Classification Search**
USPC D22/113; D8/349
CPC F41J 1/10; F41J 5/14; F41J 1/00; F41J
3/0004; F16M 13/02; F16M 11/08
See application file for complete search history.

(56) **References Cited**
U.S. PATENT DOCUMENTS
D752,414 S * 3/2016 Brooks D8/349
9,347,733 B2 * 5/2016 Brooks A01M 31/00

2014/0332645 A1* 11/2014 Brooks A01M 31/06
248/156
2016/0270518 A1* 9/2016 Brooks A45F 3/44
2016/0281316 A1* 9/2016 Brooks E02D 5/801

* cited by examiner

Primary Examiner — Michael A Pratt
(74) *Attorney, Agent, or Firm* — Carrithers Law Office
PLLC

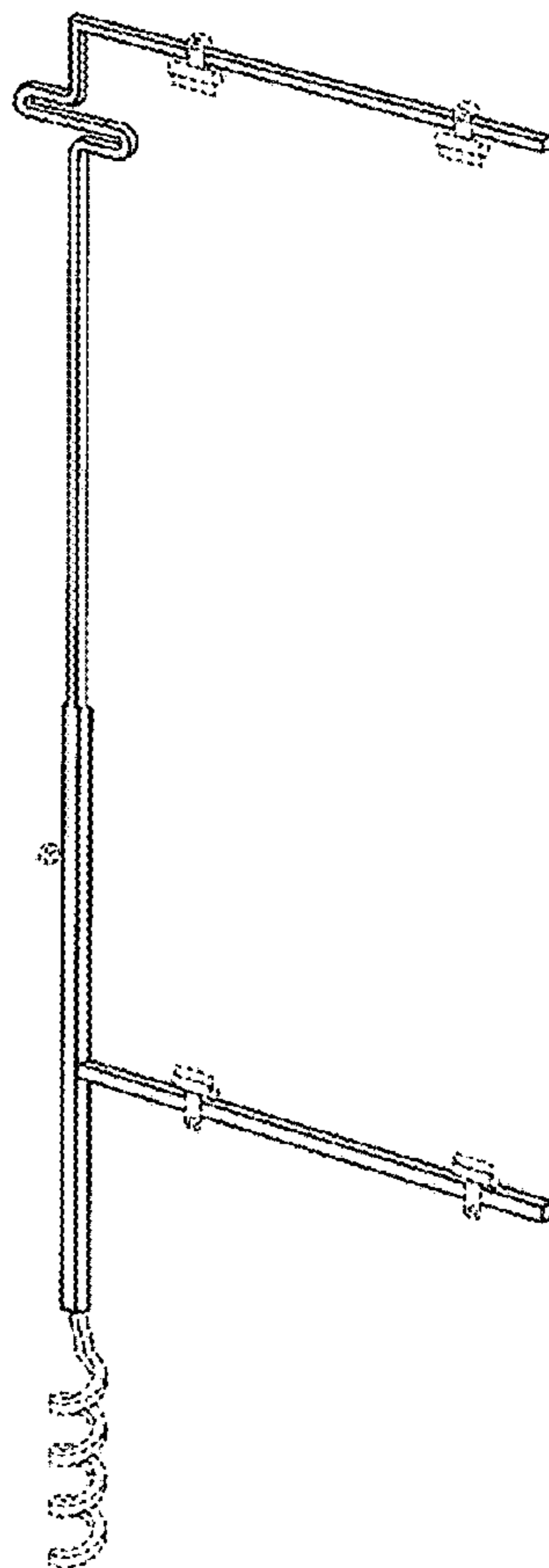
(57) **CLAIM**

The ornamental design for a body target stand, as shown and described.

DESCRIPTION

FIG. 1 is a perspective view of a body target stand showing my new design;
FIG. 2 is a front plan view thereof;
FIG. 3 is a rear plan view thereof;
FIG. 4 is a left side view thereof;
FIG. 5 is a right side view thereof;
FIG. 6 is a bottom plan view thereof; and,
FIG. 7 is a top plan view thereof.
The broken lines shown in the drawings represent portions of the body target stand that form no part of the claimed design.

1 Claim, 2 Drawing Sheets



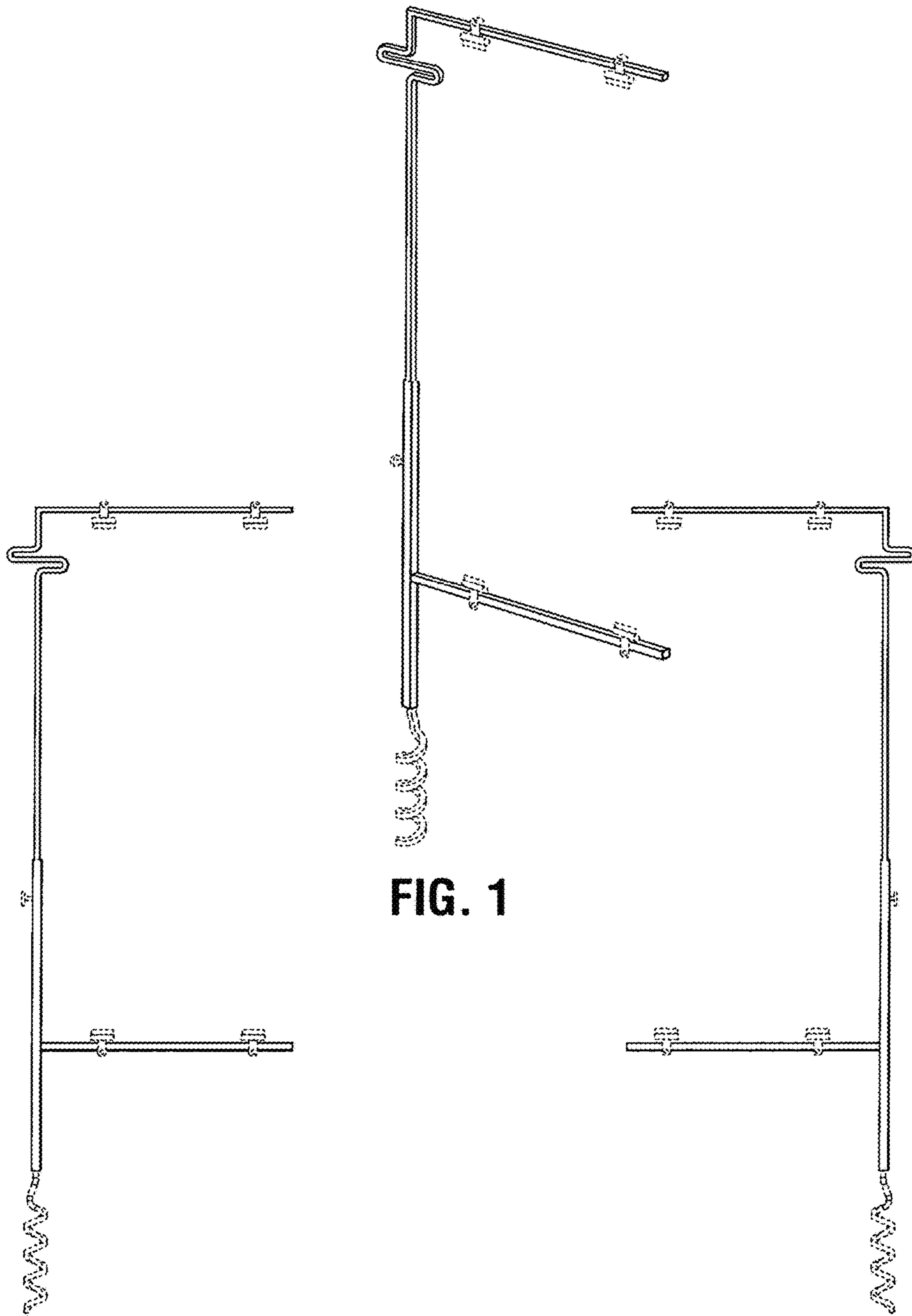


FIG. 1

FIG. 2

FIG. 3

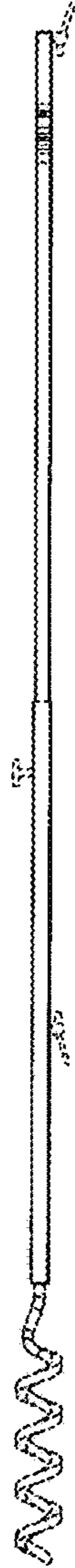


FIG. 4

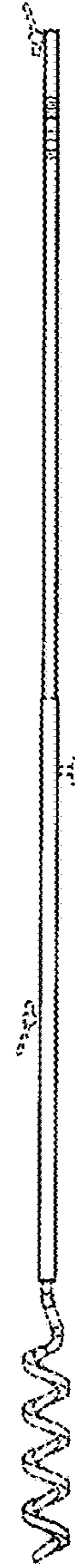


FIG. 5

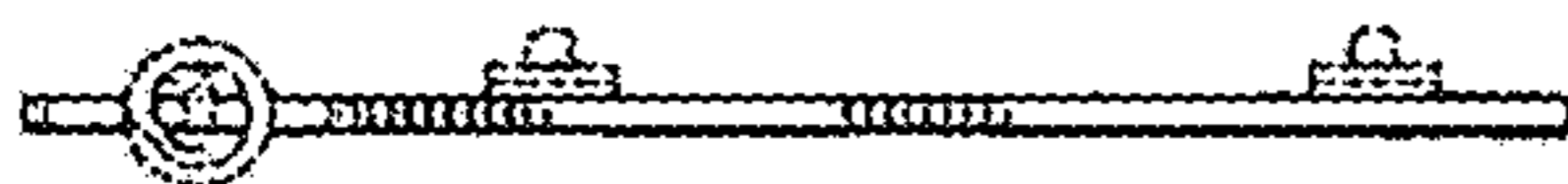


FIG. 6

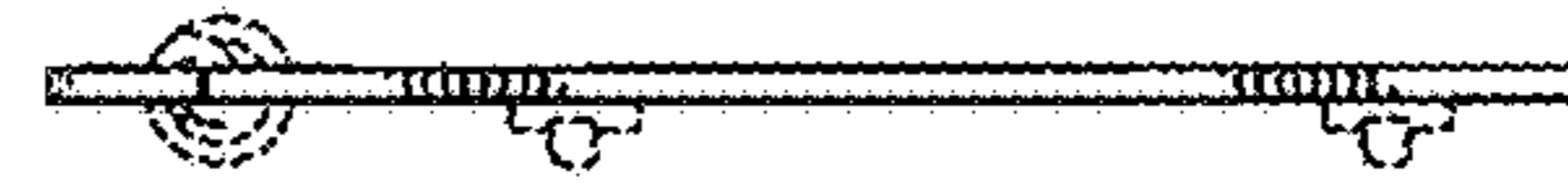


FIG. 7