



US00D788874S

(12) **United States Design Patent**
Daniel et al.

(10) **Patent No.:** **US D788,874 S**
(45) **Date of Patent:** **** Jun. 6, 2017**

(54) **FOLLOWER FOR AN AMMUNITION
MAGAZINE**

F41C 23/14; F41C 23/16; F41C 23/20;
F41C 7/00; F41C 27/00; G02B 23/105
See application file for complete search history.

(71) Applicant: **Daniel Defense, Inc.**, Black Creek, GA
(US)

(56) **References Cited**

(72) Inventors: **Marvin C. Daniel**, Pooler, GA (US);
Dewayne Lee Thompson, Lexington,
KY (US)

U.S. PATENT DOCUMENTS

(73) Assignee: **DANIEL DEFENSE, INC.**, Black
Creek, GA (US)

D615,143	S	*	5/2010	Fitzpatrick	D22/108
D644,293	S	*	8/2011	Fitzpatrick	D22/108
D645,113	S	*	9/2011	Fitzpatrick	D22/108
D667,915	S	*	9/2012	Nakayama	D22/108
D745,945	S	*	12/2015	Kielsmeier	D22/108
9,222,739	B1	*	12/2015	Bennett	F41A 9/70
9,470,464	B2	*	10/2016	Kielsmeier	F41A 9/70

(Continued)

(**) Term: **15 Years**

OTHER PUBLICATIONS

(21) Appl. No.: **29/553,935**

DD Magazine, no date available, earliest review posted Jun. 13,
2016, [online], [site visited Dec. 16, 2016]. Retrieved from
<url:https://danieldefense.com/components-parts/dd-magazinem.
html>.*

(22) Filed: **Feb. 5, 2016**

(51) **LOC (10) Cl.** **22-01**

(52) **U.S. Cl.**
USPC **D22/108**

(58) **Field of Classification Search**
USPC D22/100, 101, 103, 105, 108, 109, 110;
D21/572-575; 42/124, 125, 126, 127,
42/128, 10, 83, 85, 86, 87, 90, 113, 117,
42/141, 75.01, 75.02, 75.03, 75.05, 50,
42/51, 71.01, 94; 362/110

CPC F41G 11/001; F41G 11/003; F41G 11/004;
F41G 11/005; F41G 11/006; F41G 1/00;
F41G 1/065; F41G 1/08; F41G 1/17;
F41G 1/42; F41G 1/32; F41G 1/35; F41G
1/38; F41G 1/02; F41G 1/12; F41G 1/16;
F41G 1/345; F41G 1/425; F41G 3/00;
F41A 21/482; F41A 21/488; F41A 21/00;
F41A 11/00; F41A 11/02; F41A 11/04;
F41A 3/66; F41A 3/72; F41A 9/61; F41A
9/62; F41A 9/65; F41A 9/70; F41A 9/83;
F41A 17/38; F41C 23/04; F41C 23/10;

Primary Examiner — Jeffrey D Asch

Assistant Examiner — Tracey J Bell

(74) *Attorney, Agent, or Firm* — Eversheds Sutherland
(US) LLP

(57) **CLAIM**

The ornamental design for a follower for an ammunition
magazine, as shown and described.

DESCRIPTION

FIG. 1 is a first side view of a follower for an ammunition
magazine according to an embodiment of the disclosure;
FIG. 2 is a second side view thereof;
FIG. 3 is a rear view thereof;
FIG. 4 is a front view thereof;
FIG. 5 is a bottom view thereof;
FIG. 6 is a top view thereof;
FIG. 7 is a perspective view thereof;
FIG. 8 is a perspective view thereof;
FIG. 9 is a perspective view thereof; and,

(Continued)

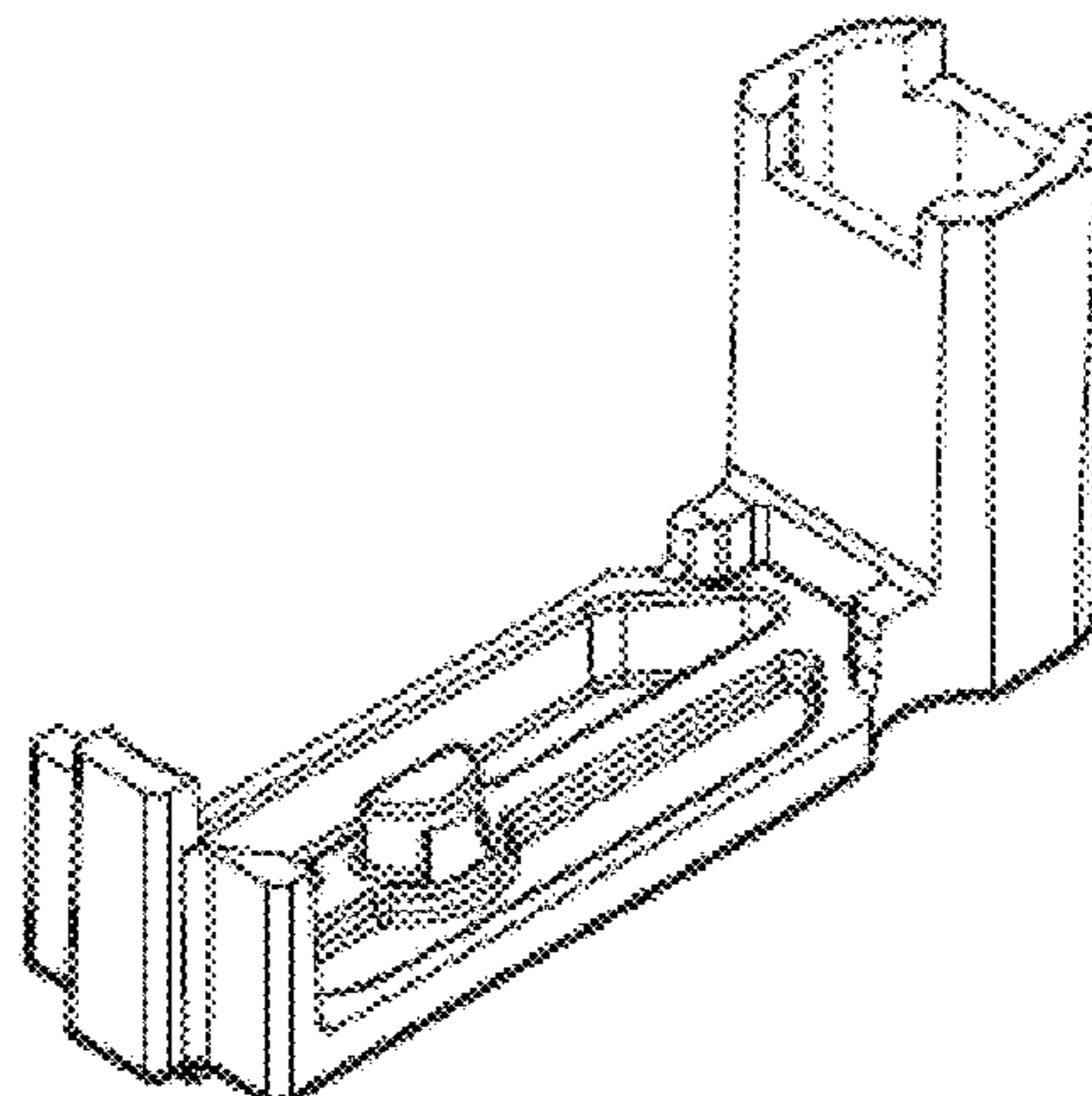
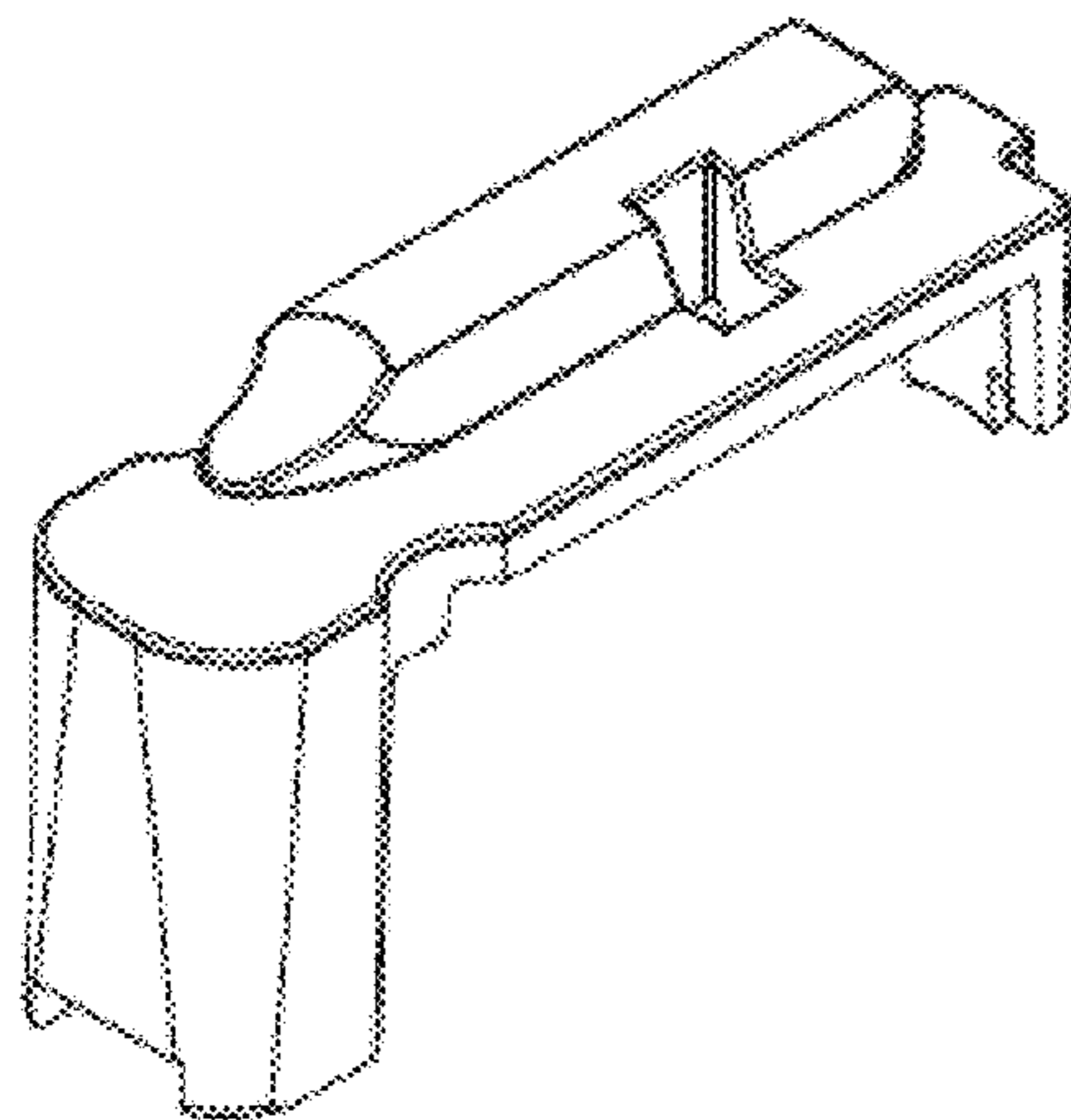


FIG. 10 is a perspective view thereof.
The portions of the follower for an ammunition magazine
shown in broken lines form no part of the claimed design.

1 Claim, 4 Drawing Sheets

(56) **References Cited**

U.S. PATENT DOCUMENTS

2009/0107022	A1 *	4/2009	Fitzpatrick	F41A 9/70 42/50
2011/0167694	A1 *	7/2011	Bigley	F41A 9/70 42/50
2011/0214326	A1 *	9/2011	Inskeep	F41A 9/61 42/49.02
2013/0227870	A1 *	9/2013	Rendulic	F41A 9/65 42/50
2014/0047751	A1 *	2/2014	Lee	F41A 9/65 42/49.01
2014/0311003	A1 *	10/2014	Loreman	F41A 9/62 42/1.02
2015/0075049	A1 *	3/2015	Klarborg	F41A 9/70 42/49.01
2015/0121736	A1 *	5/2015	Faifer	F41A 9/65 42/49.01
2015/0292826	A1 *	10/2015	Kielsmeier	F41A 9/70 42/50
2016/0195351	A1 *	7/2016	Burden	F41G 1/345 42/1.02
2016/0327353	A1 *	11/2016	DiChario	F41A 9/70

* cited by examiner

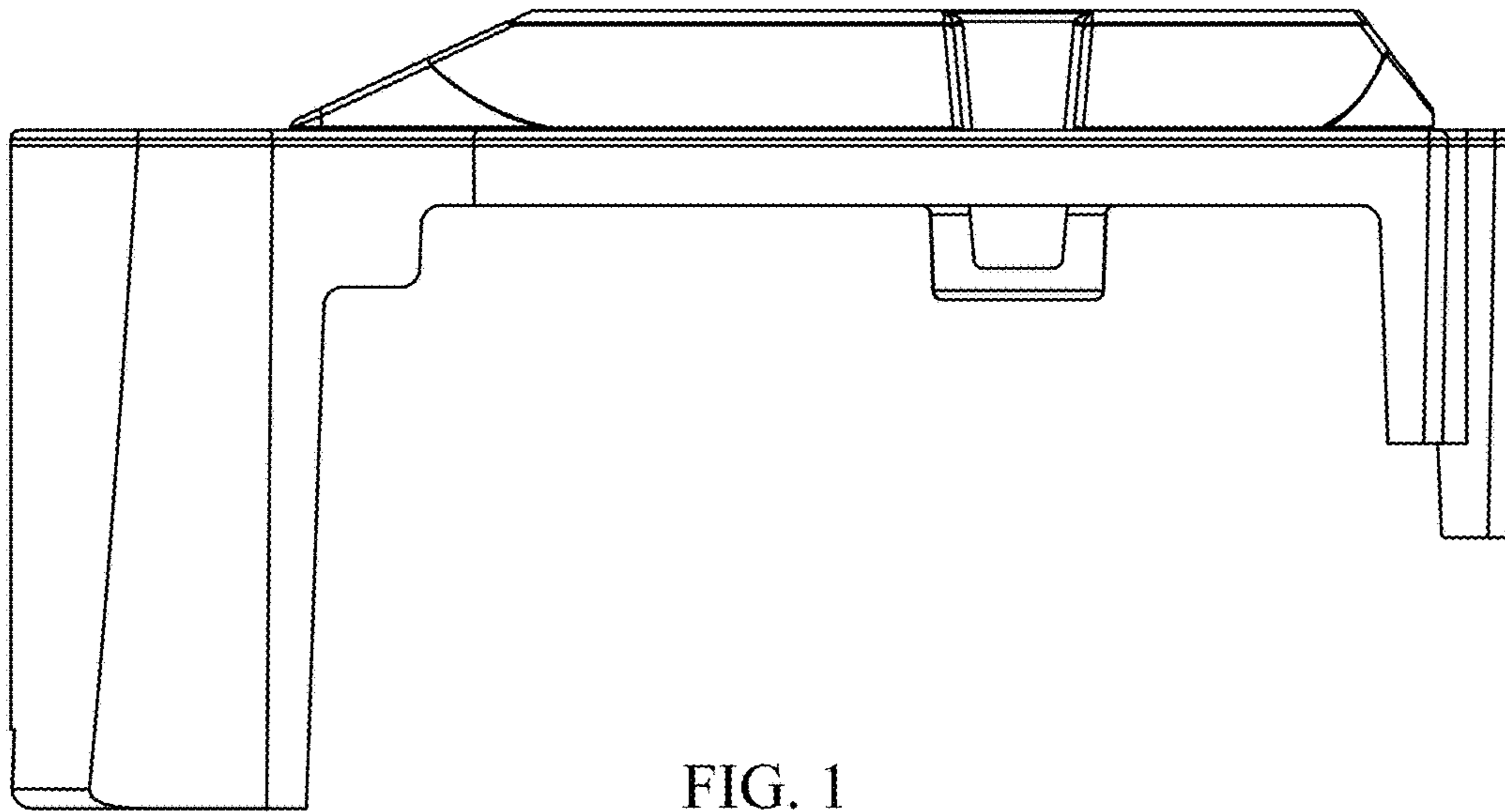


FIG. 1

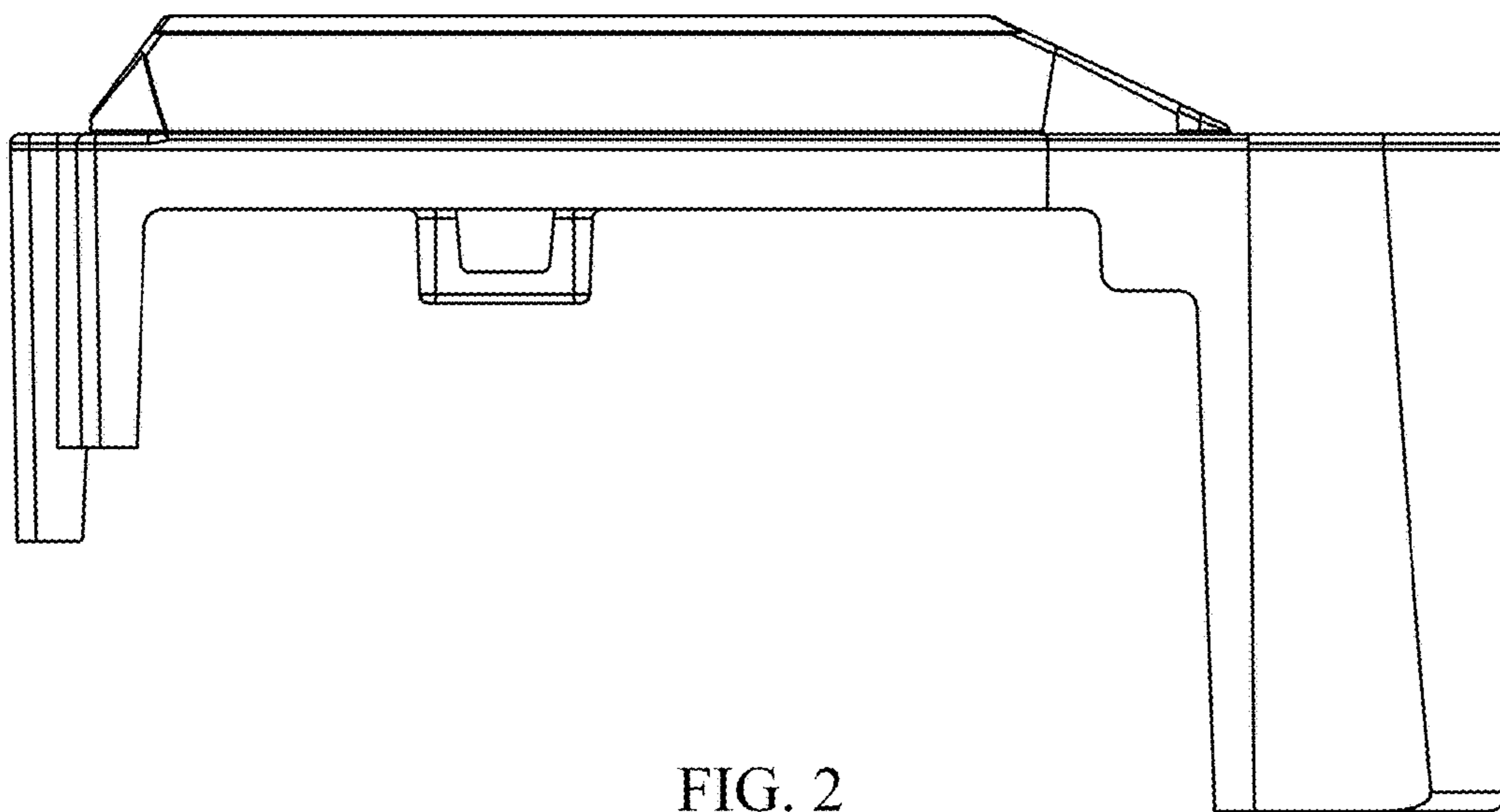


FIG. 2

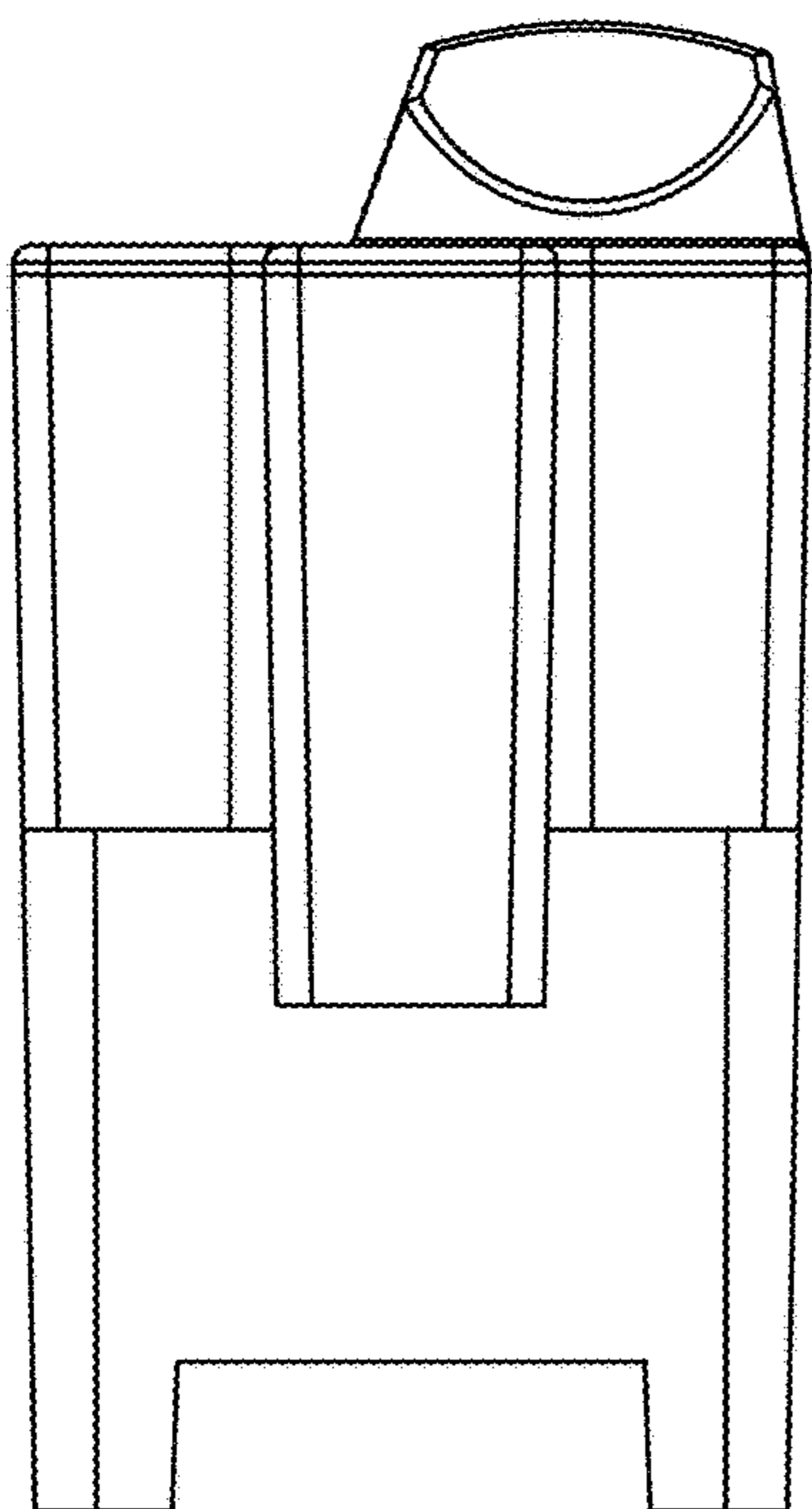


FIG. 3

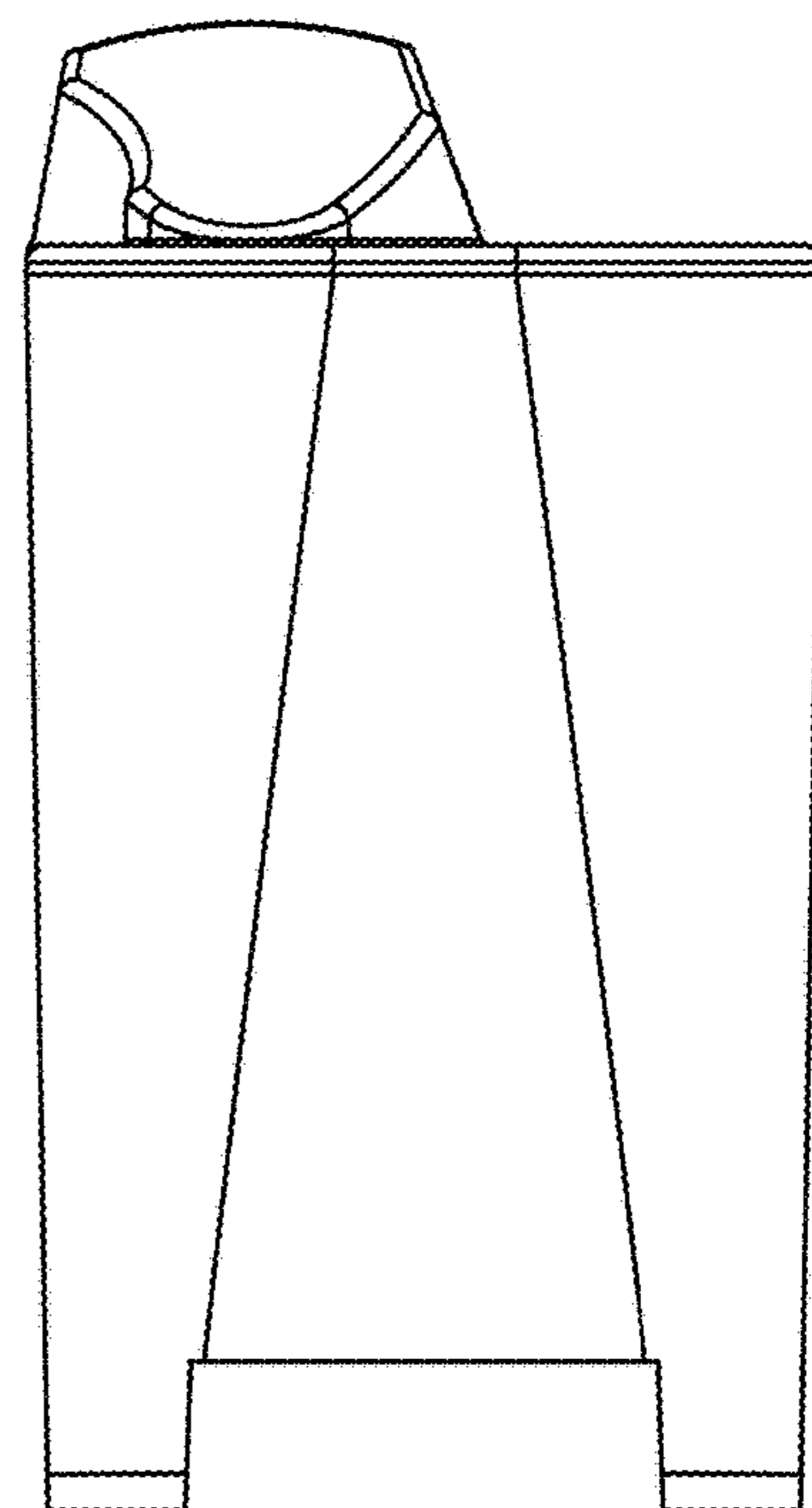


FIG. 4

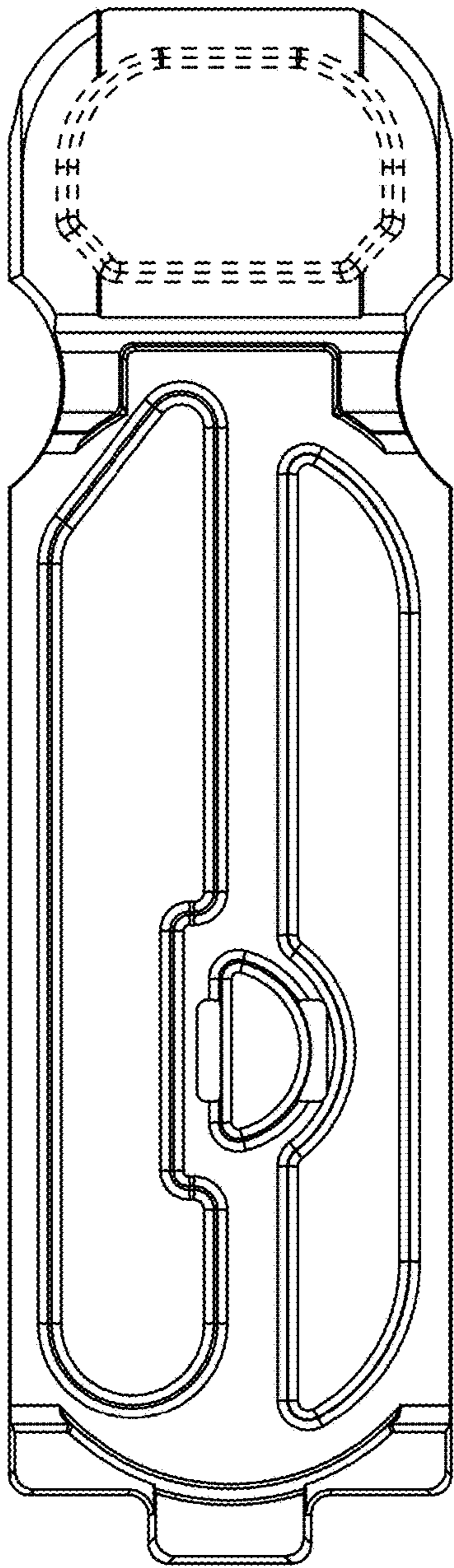


FIG. 5

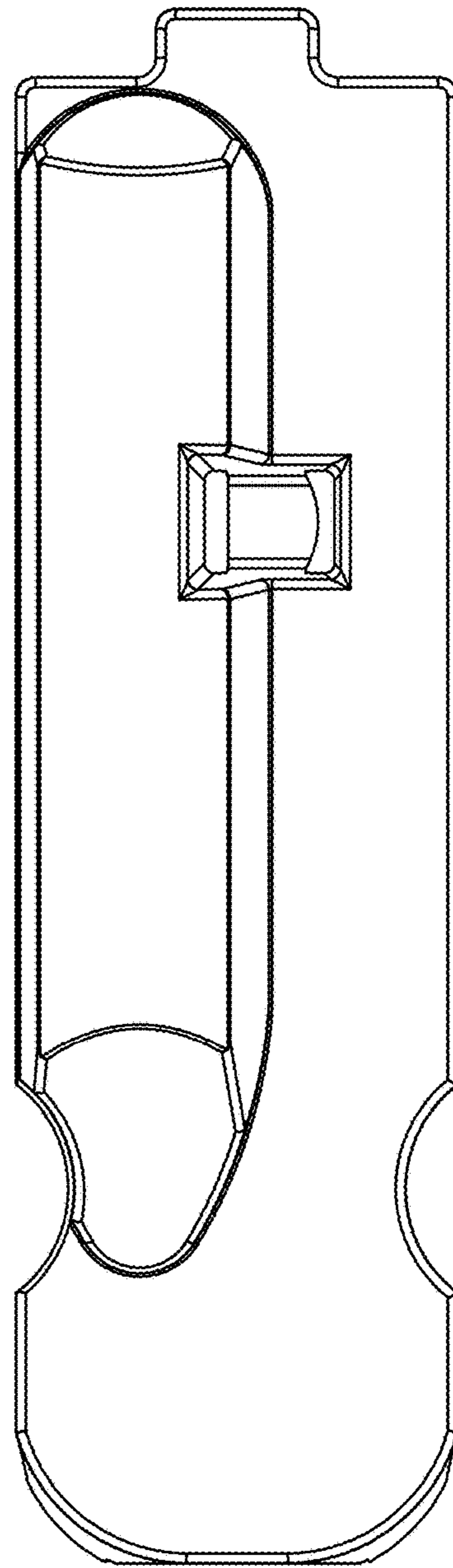


FIG. 6

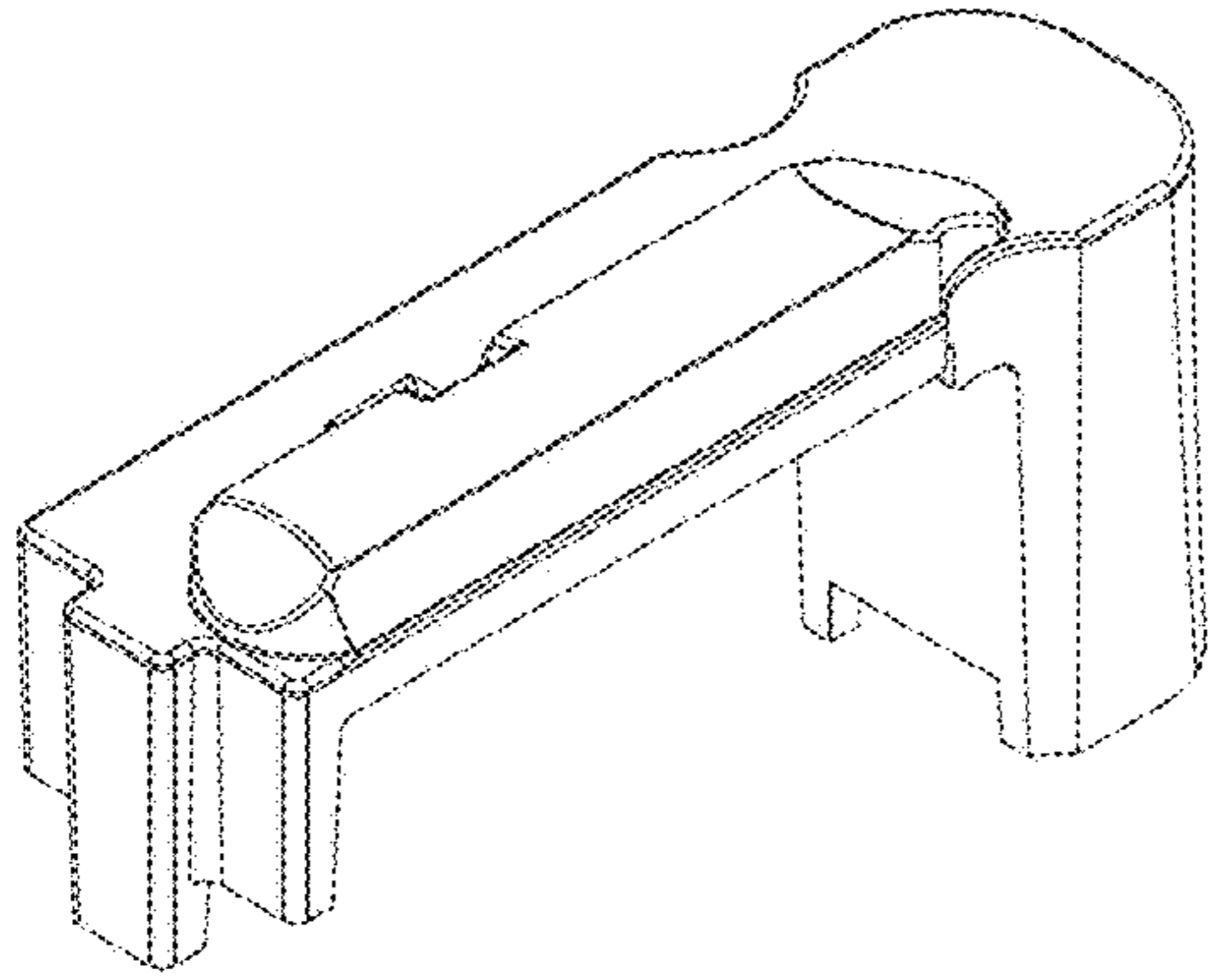


FIG. 7

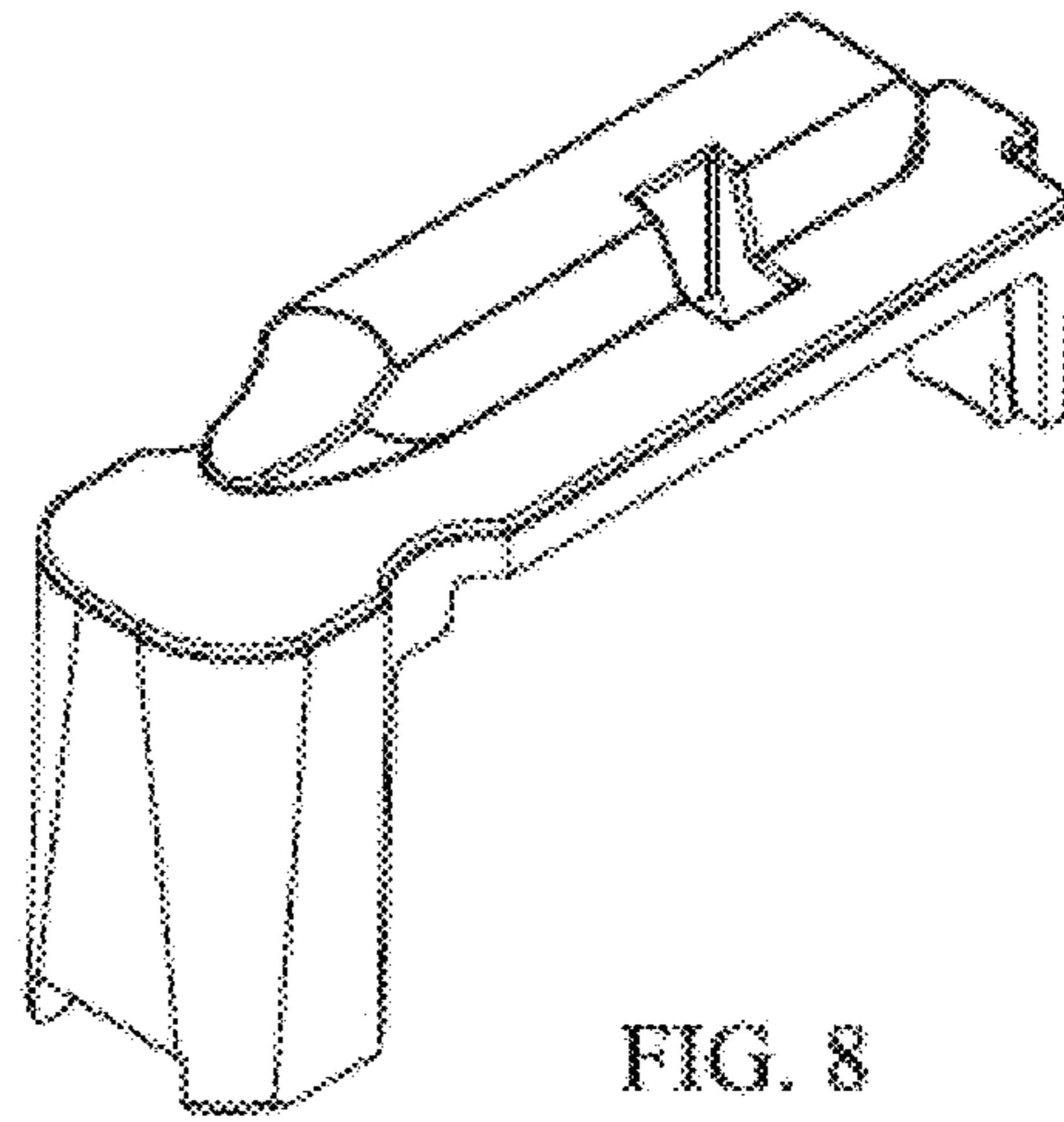


FIG. 8

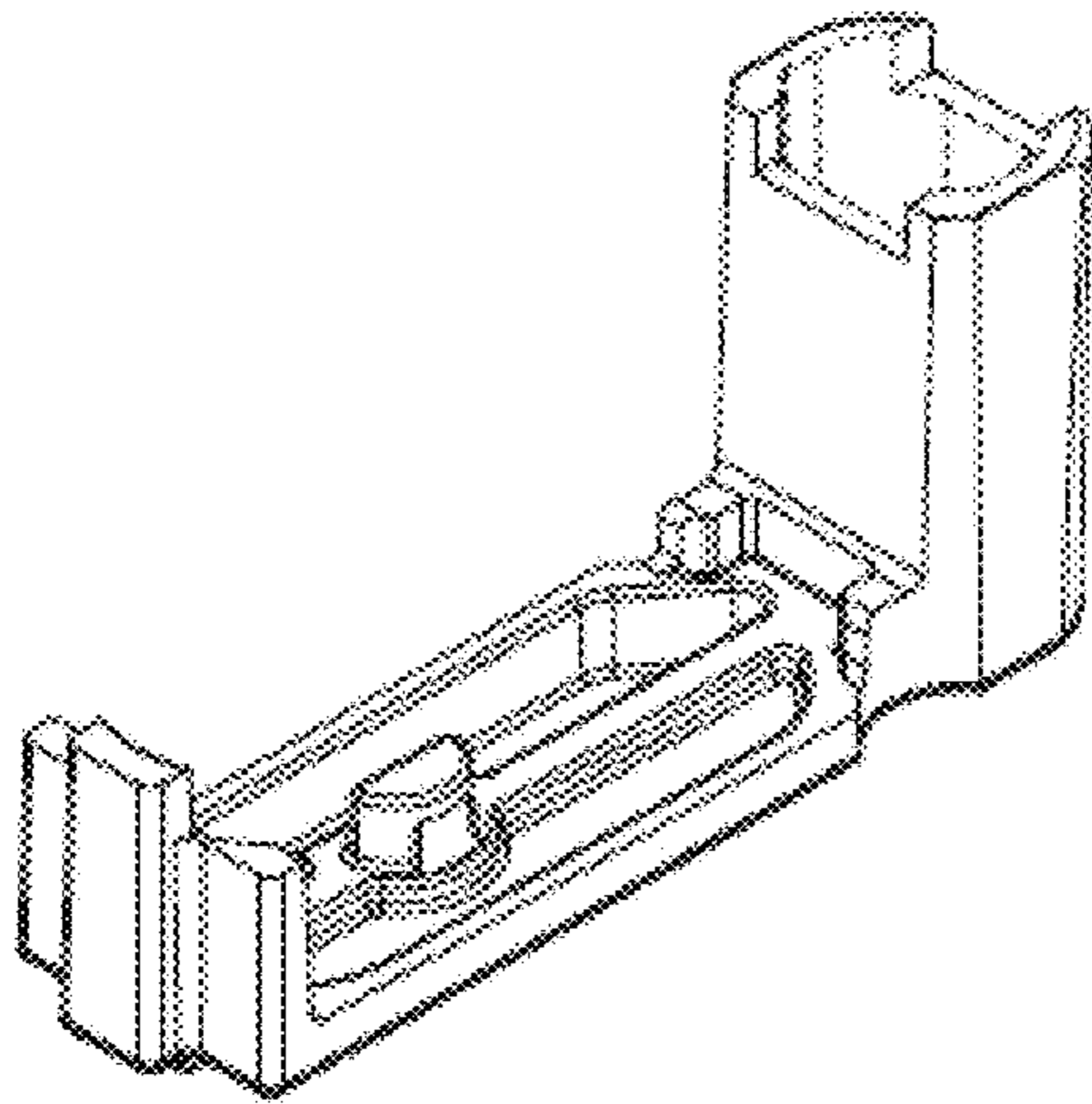


FIG. 9

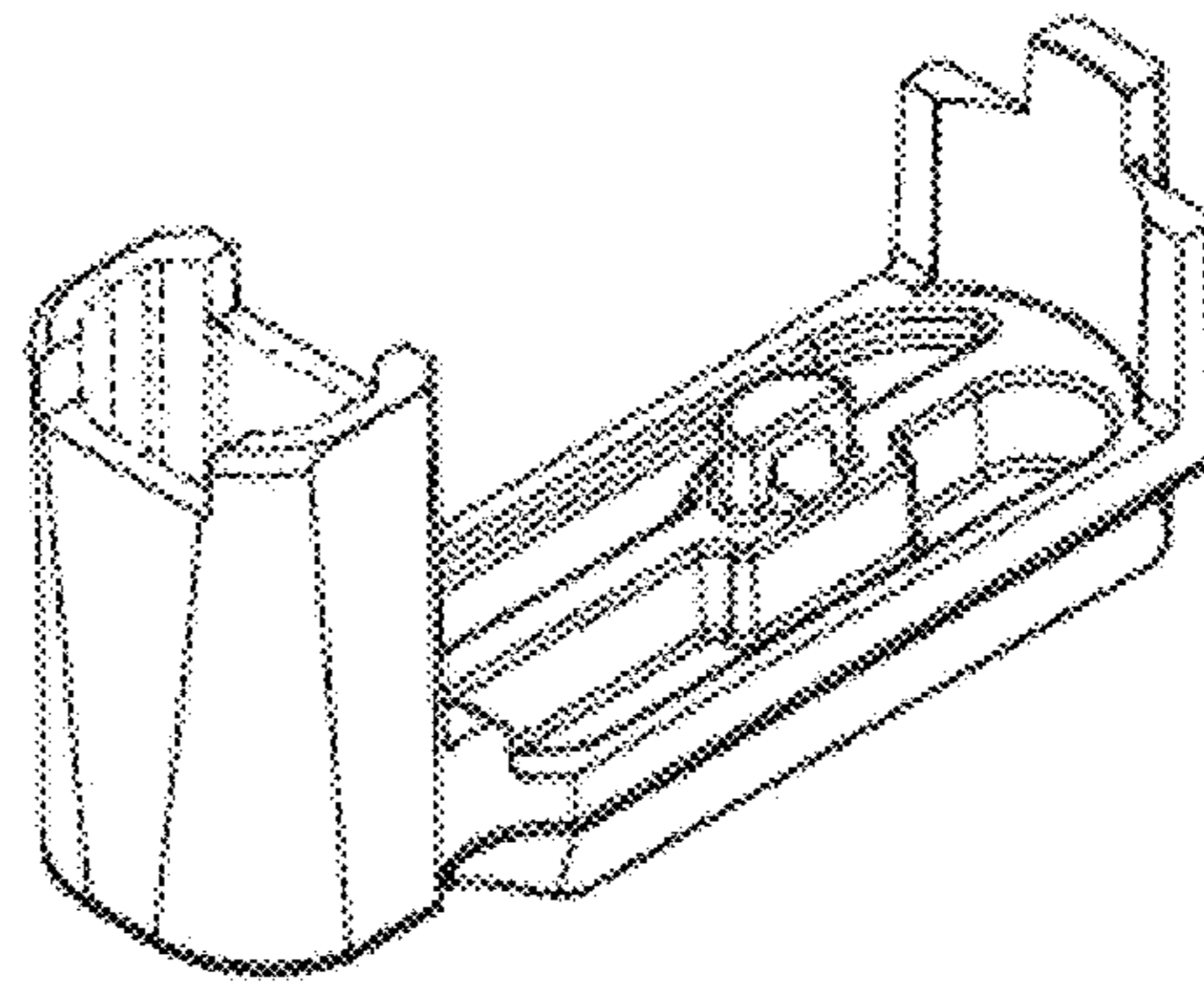


FIG. 10