



US00D788873S

(12) **United States Design Patent**  
**Wiley et al.**

(10) **Patent No.:** **US D788,873 S**  
(45) **Date of Patent:** **\*\* Jun. 6, 2017**

- (54) **FIREARM SUPPRESSOR SLEEVE**
- (71) Applicant: **JAMAK FABRICATION-TEX LLC**,  
Weatherford, TX (US)
- (72) Inventors: **Thomas D. Wiley**, Arlington, TX (US);  
**Steve Meeks**, Mineral Wells, TX (US)
- (73) Assignee: **JAMAK FABRICATION-TEX LLC**,  
Weatherford, TX (US)

D476,103 S 6/2003 Galli  
 D501,054 S 1/2005 Galli  
 D549,860 S 8/2007 Gustafson et al.  
 D551,880 S 10/2007 Chen

(Continued)

(\*\*) Term: **15 Years**

(21) Appl. No.: **29/551,911**

(22) Filed: **Jan. 18, 2016**

(51) **LOC (10) Cl.** ..... **22-01**

(52) **U.S. Cl.**  
USPC ..... **D22/108**

(58) **Field of Classification Search**

USPC ..... D22/100, 101, 103, 104, 108, 199;  
 D21/572, 573; 42/51, 71.01, 75.01,  
 42/75.02, 90, 94, 134, 136, 139, 125, 72,  
 42/111; 89/40.06, 41.19, 37.04, 33.04,  
 89/191.01, 200-204; 124/66, 67, 72, 74;  
 D25/119-125; D9/430

CPC ..... F41A 13/00; F41A 35/04  
 See application file for complete search history.

(56) **References Cited**

**U.S. PATENT DOCUMENTS**

1,674,986	A	6/1928	Norwood
2,965,994	A	12/1960	Sullivan
4,346,643	A	8/1982	Taylor et al.
D279,812	S	7/1985	Cellini
4,762,048	A	8/1988	Higashi et al.
5,183,953	A	2/1993	Anderson et al.
D344,351	S	2/1994	Stagl
D370,273	S	5/1996	Stagl
5,661,920	A	9/1997	Evans
5,778,590	A	7/1998	Browning et al.
5,850,706	A	12/1998	Evans
D427,669	S	7/2000	Ruuska
D475,798	S	6/2003	Galli

**FOREIGN PATENT DOCUMENTS**

GB	4042378	7/2015
GB	5001326	1/2016

**OTHER PUBLICATIONS**

[www.thefirearmblog.com/blog/2013/12/26/manta-m700-sound-suppressor-covers/](http://www.thefirearmblog.com/blog/2013/12/26/manta-m700-sound-suppressor-covers/).

[www.thefirearmblog.com/blog/2014/04/14/gear-review-bowers-group-griptastic-suppressor-covers/](http://www.thefirearmblog.com/blog/2014/04/14/gear-review-bowers-group-griptastic-suppressor-covers/).

*Primary Examiner* — Susan Bennett Hattan

*Assistant Examiner* — S. Bryan Reinholdt, Jr.

(74) *Attorney, Agent, or Firm* — McGuireWoods LLP

(57) **CLAIM**

We claim the ornamental design for a firearm suppressor sleeve, as shown and described.

**DESCRIPTION**

FIG. 1 is an isometric view of a firearm suppressor sleeve according to an illustrative embodiment;

FIG. 2 is a front view of the firearm suppressor sleeve of FIG. 1;

FIG. 3 is a rear view of the firearm suppressor sleeve of FIG. 1;

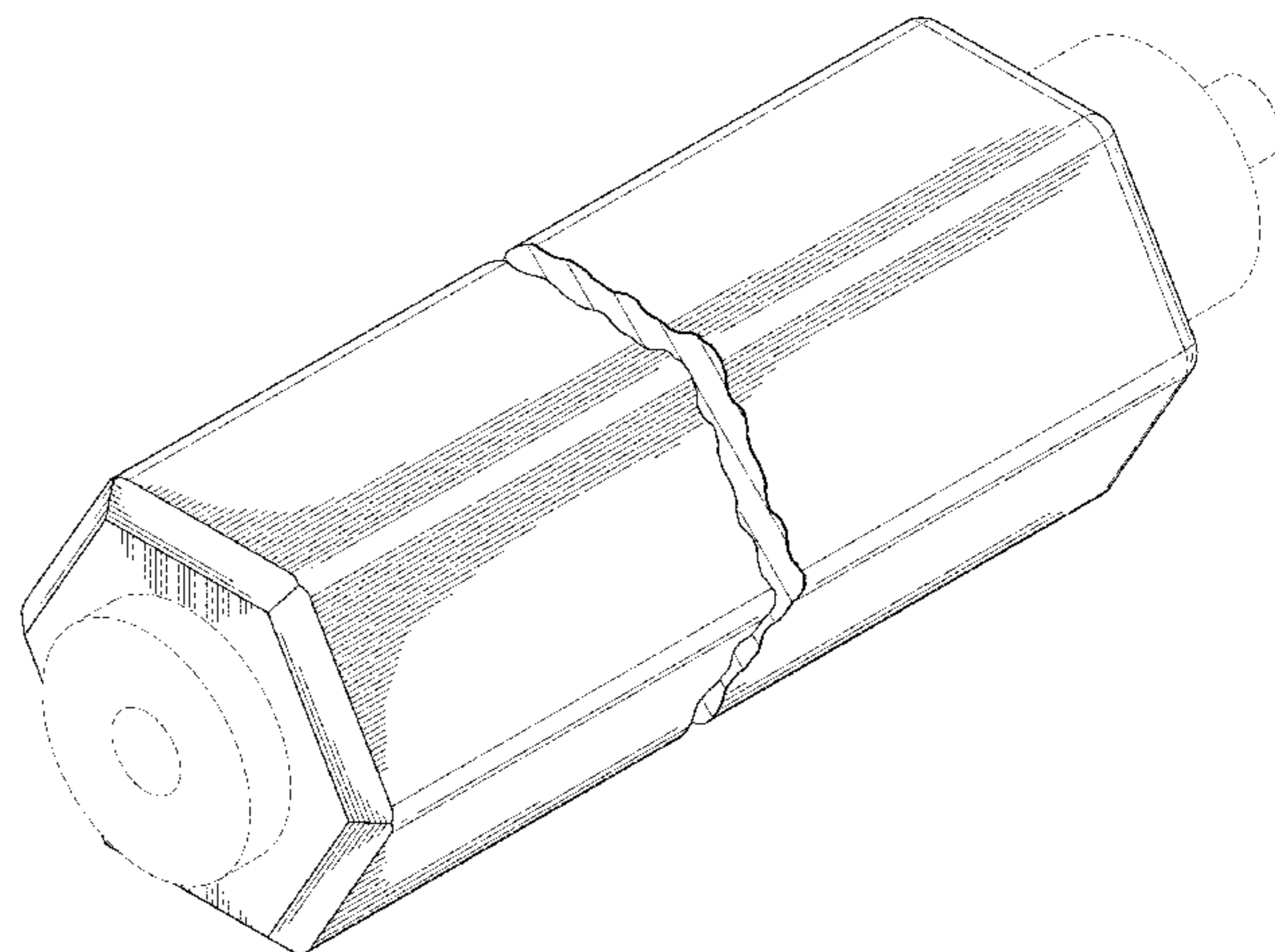
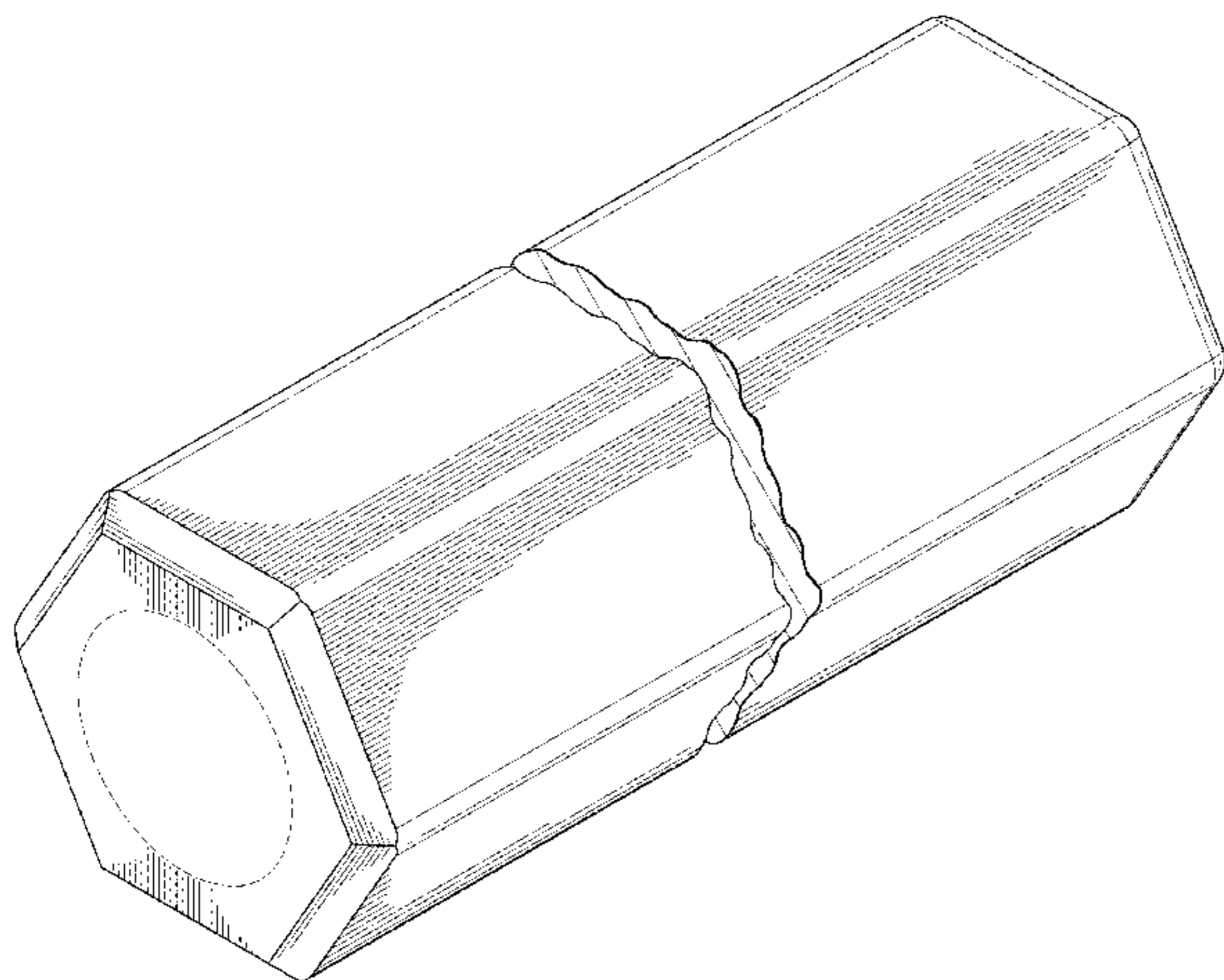
FIG. 4 is a side view of the firearm suppressor sleeve of FIG. 1;

FIG. 5 is a top view of the firearm suppressor sleeve of FIG. 1; and,

FIG. 6 is an isometric view showing a firearm suppressor received by the firearm suppressor sleeve of FIG. 1.

The subject matter illustrated in dashed lines, and any surfaces of the design not shown, form no part of the claimed design.

**1 Claim, 5 Drawing Sheets**



(56)

**References Cited**

U.S. PATENT DOCUMENTS

D577,449 S 9/2008 Shiu  
D577,844 S 9/2008 Shiu  
D579,595 S 10/2008 Shiu  
D593,631 S 6/2009 Salva  
D632,751 S 2/2011 Bowers et al.  
D640,133 S \* 6/2011 Jones ..... D9/430  
8,347,773 B2 1/2013 Schlenkert et al.  
8,397,615 B2 3/2013 Poling  
D682,974 S 5/2013 Honigmann  
D682,975 S 5/2013 Honigmann  
8,973,481 B2 3/2015 Dueck et al.  
9,140,511 B2 9/2015 Michal et al.  
9,239,201 B1 \* 1/2016 Reis Green ..... F41A 21/30  
2007/0062090 A1 3/2007 Brindle  
2012/0125184 A1 5/2012 Meyers  
2012/0273083 A1 11/2012 Lin  
2013/0061503 A1 3/2013 W. et al.  
2014/0059913 A1 3/2014 Diamond et al.

\* cited by examiner

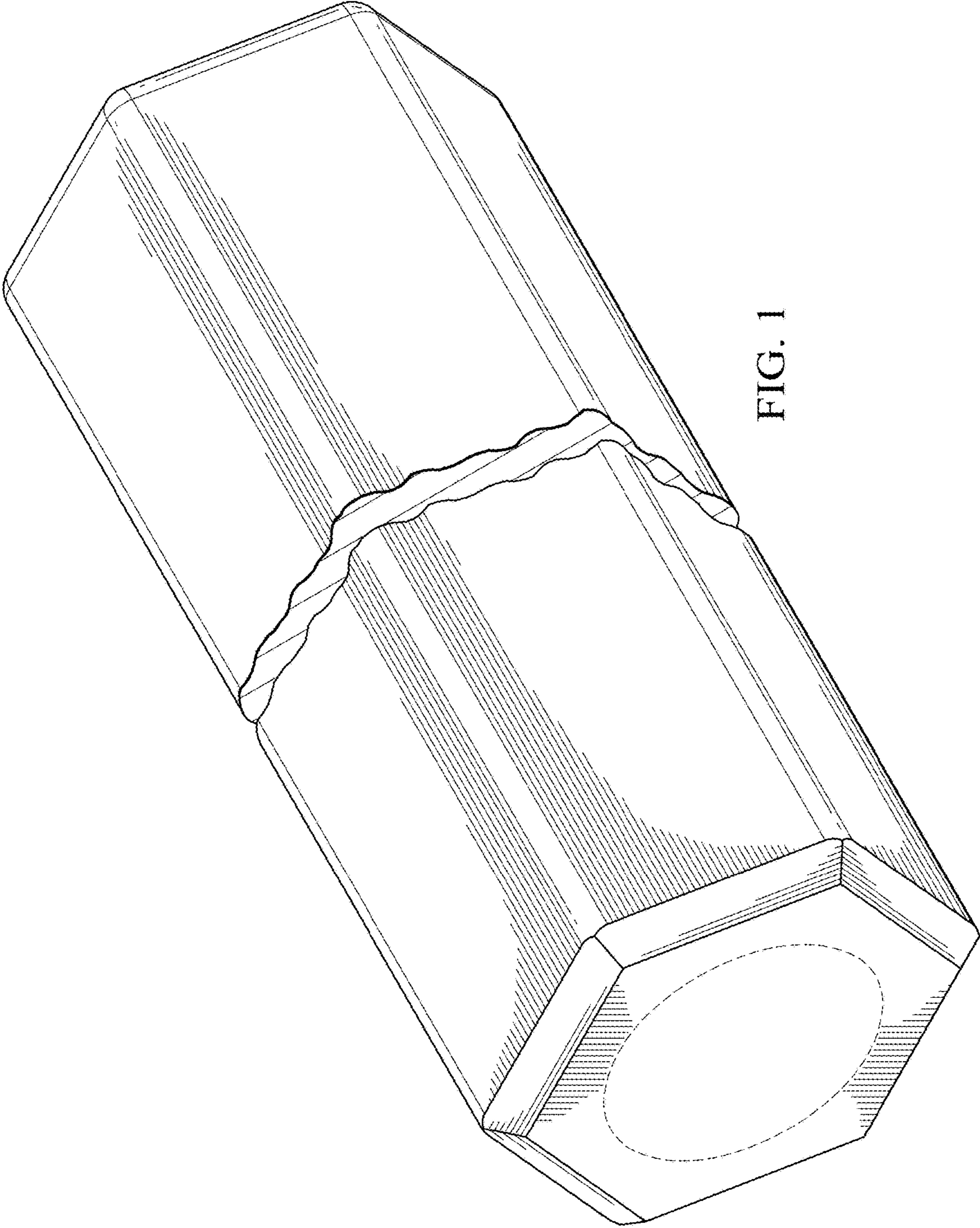


FIG. 1

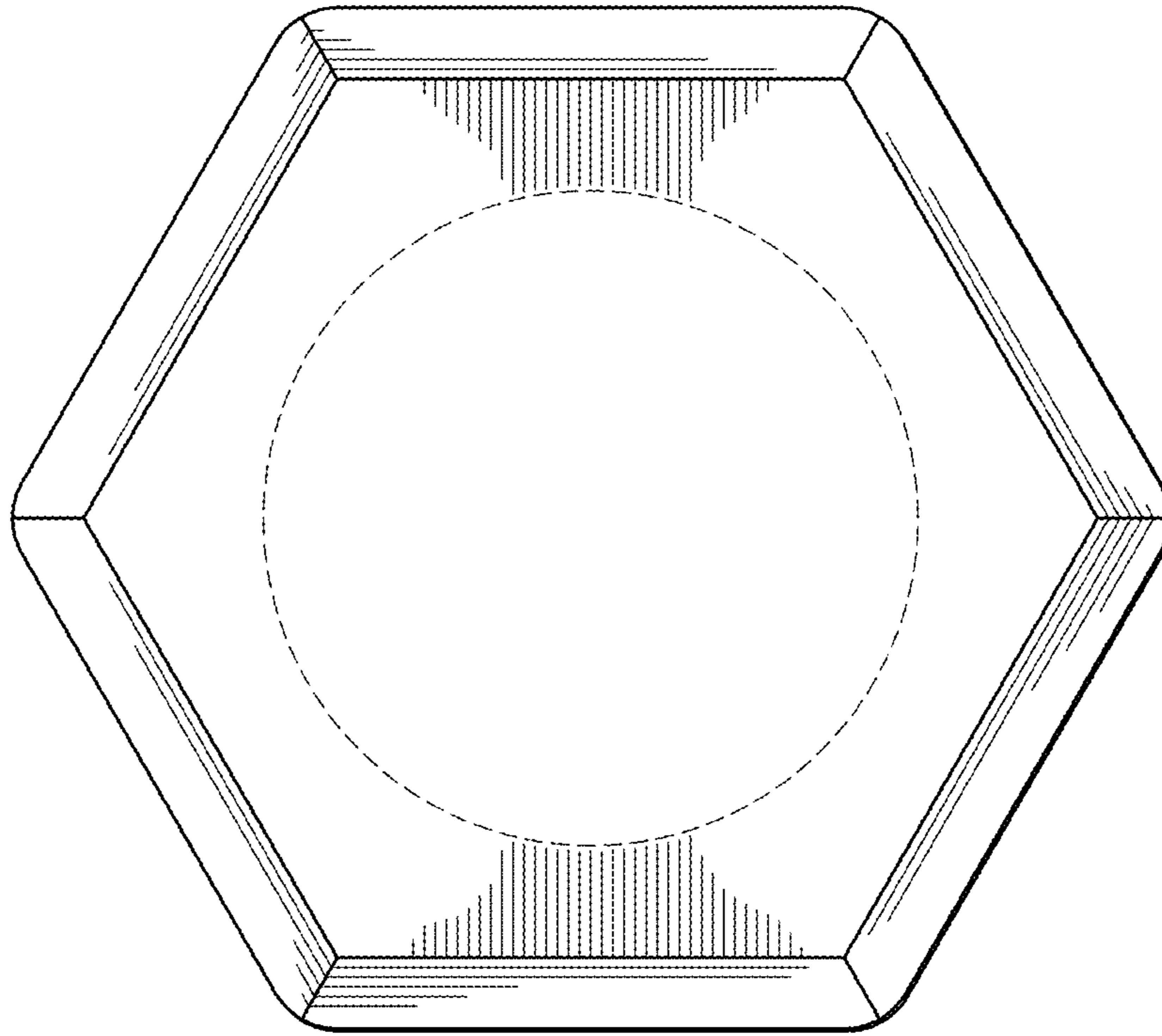


FIG. 2

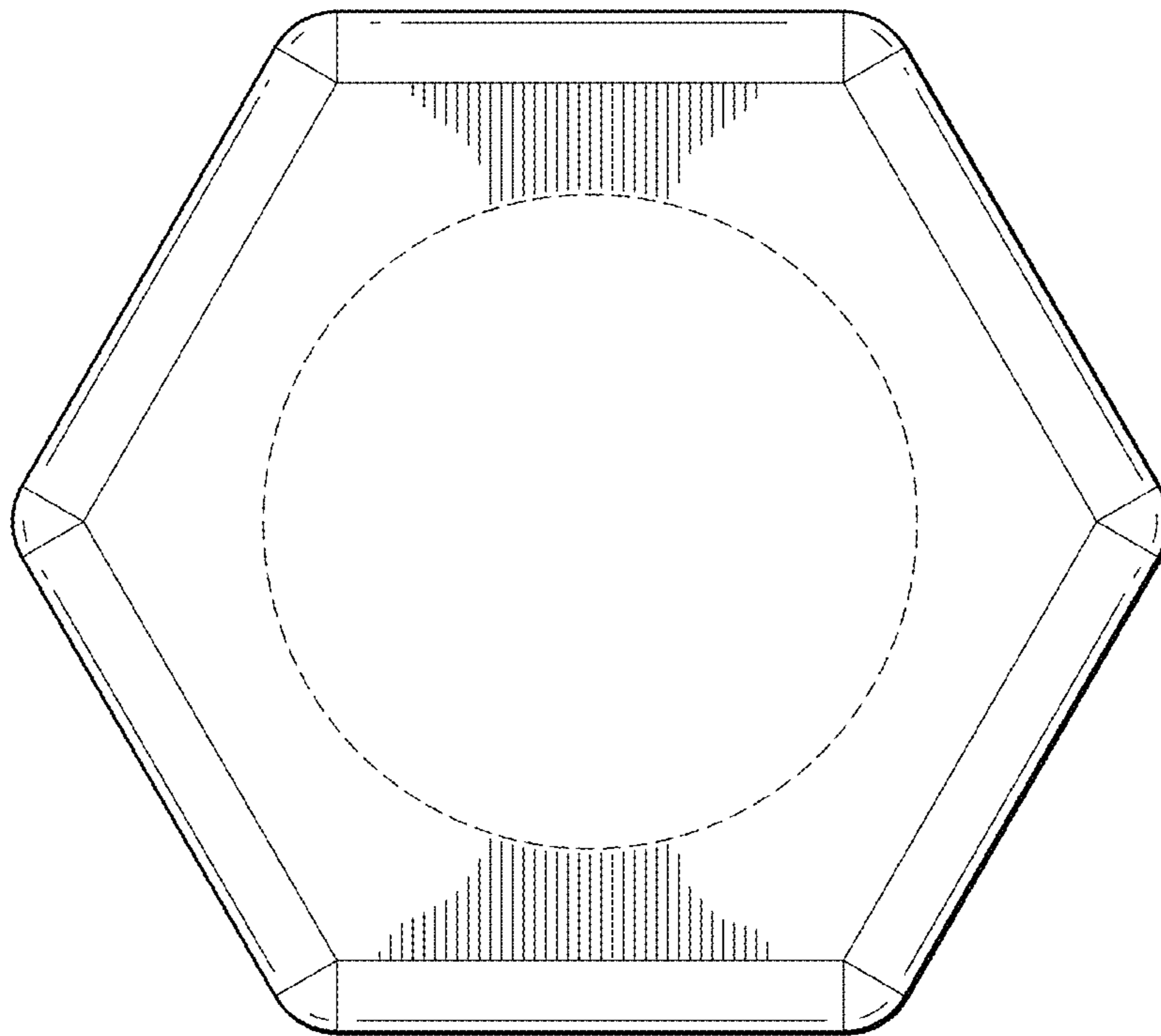


FIG. 3

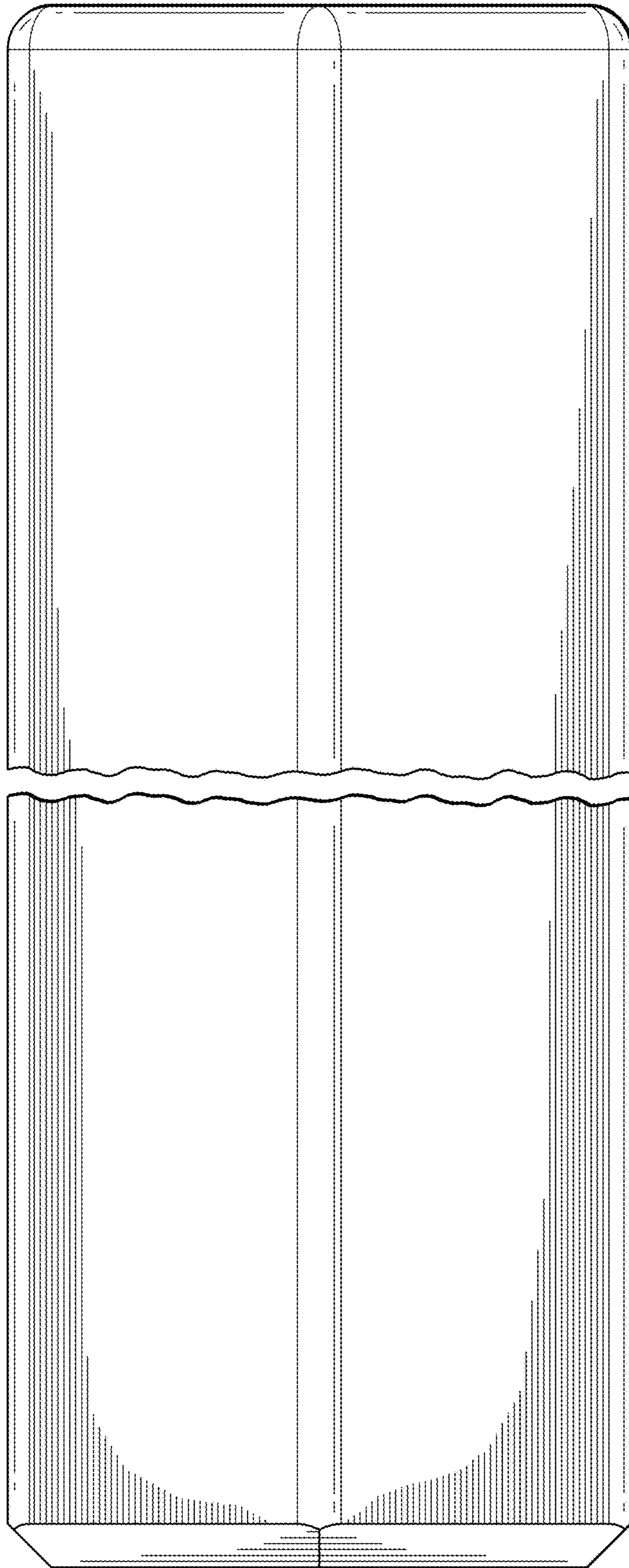
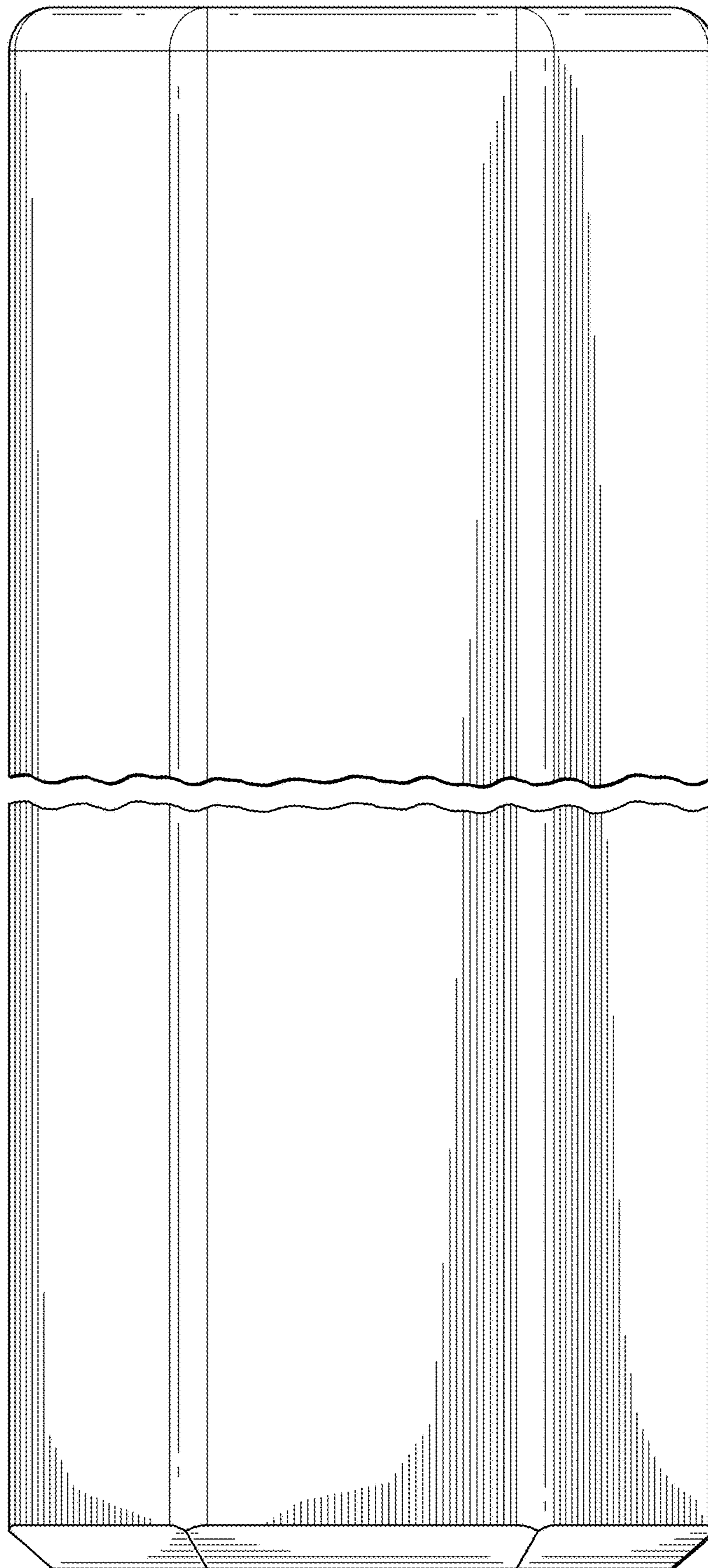


FIG. 4

FIG. 5



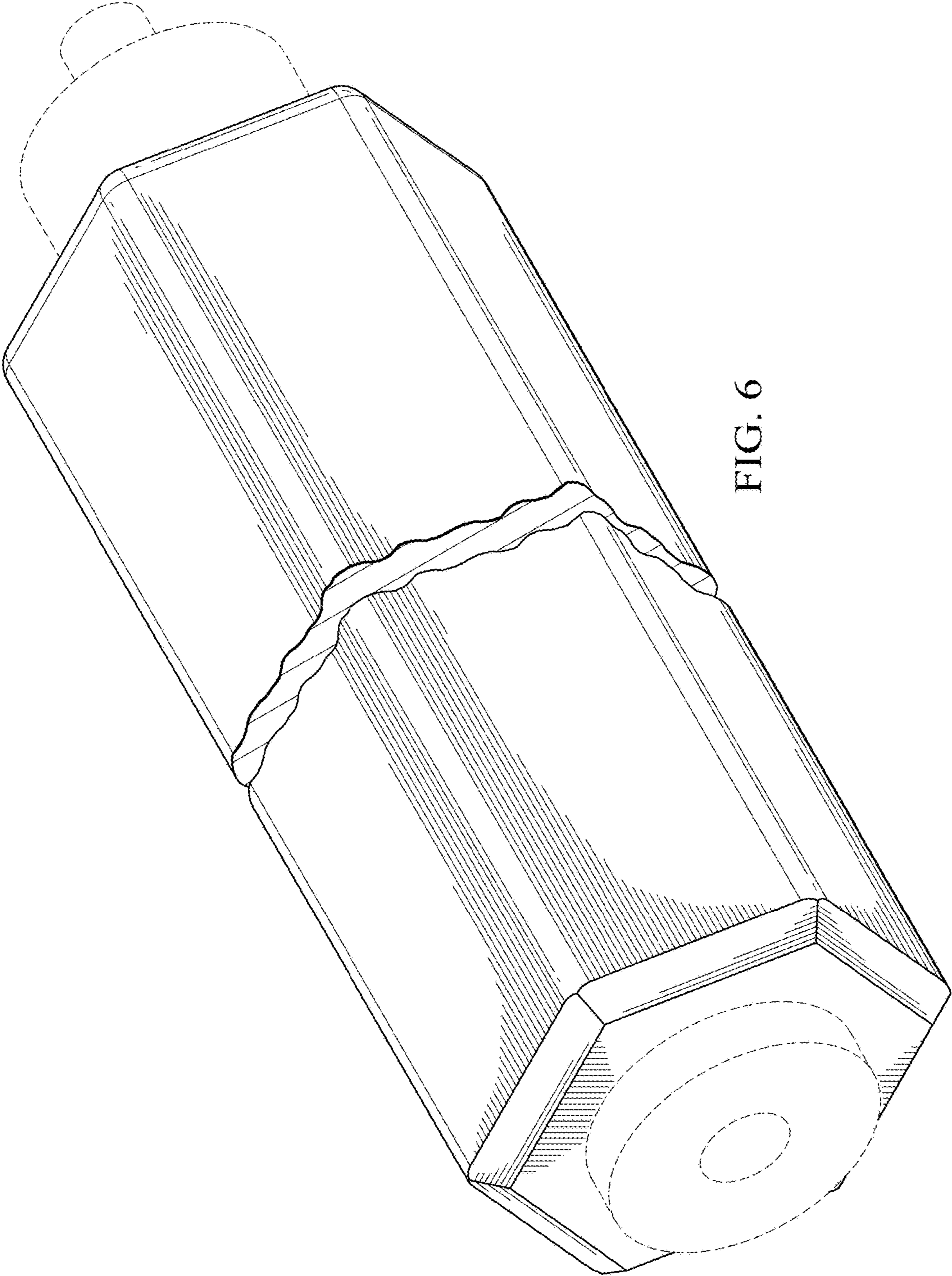


FIG. 6