



US00D788871S

(12) **United States Design Patent** (10) **Patent No.:** **US D788,871 S**
Storch (45) **Date of Patent:** **** Jun. 6, 2017**

(54) **FIREARM HAND GUARD MOUNT CLIP**

D657,013 S * 4/2012 Swan D22/109
D659,220 S * 5/2012 Foltz D22/108
D666,689 S * 9/2012 Swan D22/109

(71) Applicant: **Midwest Industries, Inc.**, Waukesha, WI (US)

(Continued)

(72) Inventor: **Troy Storch**, Wales, WI (US)

OTHER PUBLICATIONS

(73) Assignee: **Midwest Industries, Inc.**, Waukesha, WI (US)

M-Lok Offset Light/Optic Mount, Magpul, [online], [site visited Sep. 13, 2016]. <URL: <https://www.magpul.com/products/m-lok-offset-light-optic-mount-aluminum>>.*

(**) Term: **15 Years**

(Continued)

(21) Appl. No.: **29/547,694**

Primary Examiner — T. Chase Nelson

Assistant Examiner — Jonathan J Han

(22) Filed: **Dec. 7, 2015**

(74) *Attorney, Agent, or Firm* — Boyle Fredrickson, SC

(51) **LOC (10) Cl.** **22-01**

(52) **U.S. Cl.**
USPC **D22/108**

(57) **CLAIM**

(58) **Field of Classification Search**
USPC D22/108, 103; D8/19, 347; 29/890.14,
29/897.2; 83/54

The ornamental design for a firearm hand guard mount clip, substantially as shown and described.

CPC F41C 23/00; F41C 23/14; F41C 23/16;
F41C 23/18; F41C 23/10; F41C 27/00;
F41C 27/06; B23D 27/06; B23D 21/02

DESCRIPTION

See application file for complete search history.

The patent or application file contains at least one drawing executed in color. Copies of this patent or patent application publication with color drawing(s) will be provided by the Office upon request and payment of the necessary fee.

(56) **References Cited**

U.S. PATENT DOCUMENTS

3,462,021	A *	8/1969	Hawke	A47F 5/14 108/101
D259,994	S *	7/1981	Salcedo	D8/348
D276,789	S *	12/1984	Olsen	D8/14
4,751,610	A *	6/1988	Nickola	H02B 1/50 174/38
D302,514	S *	8/1989	Gates	D8/105
D339,374	S *	9/1993	Chow	346/136
D349,230	S *	8/1994	Essick	D8/347
D508,726	S *	8/2005	Storch	D22/108
7,066,059	B1 *	6/2006	Hsieh	B25B 13/08 81/177.6
D556,290	S *	11/2007	Swan	D22/108
D625,765	S *	10/2010	Storch	D22/108

FIG. 1 is a perspective view of a firearm hand guard mount clip according the present invention;

FIG. 2 is right side elevation view of the firearm hand guard mount clip shown in FIG. 1;

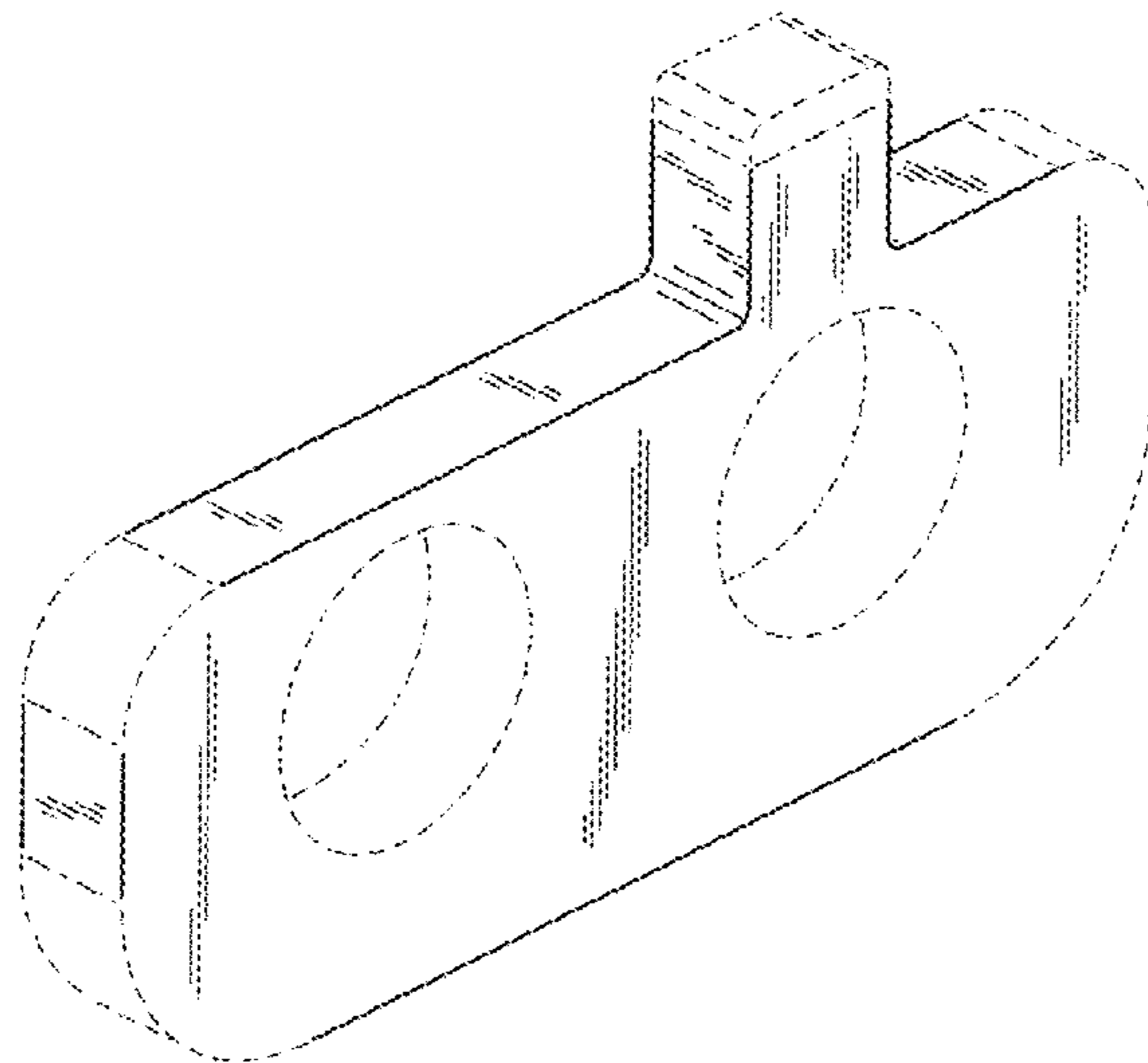
FIG. 3 is a front side elevation view of the firearm hand guard mount clip shown in FIG. 1;

FIG. 4 is a top side plan view of the firearm hand guard mount clip shown in FIG. 1; and,

FIG. 5 a bottom side plan view of the firearm hand guard mount clip shown in FIG. 1.

The broken lines depict environmental structure that forms no part of the claimed design.

1 Claim, 2 Drawing Sheets
(1 of 2 Drawing Sheet(s) Filed in Color)



(56)

References Cited

U.S. PATENT DOCUMENTS

D670,352 S *	11/2012	Norberg	D22/108
D672,422 S *	12/2012	Swan	D22/108
D677,048 S *	3/2013	Du	D3/207
D683,807 S *	6/2013	Elkaim	D22/108
D732,378 S *	6/2015	Oquendo	D8/363
9,068,801 B1 *	6/2015	Stecher, Jr.	F41G 11/00
D744,459 S *	12/2015	Cummings	D14/238
D753,256 S *	4/2016	Azhocar	D22/108
D753,257 S *	4/2016	Azhocar	D22/108
2006/0174733 A1 *	8/2006	Hsieh	B25G 1/063 81/177.8
2009/0126538 A1 *	5/2009	Miers	B25B 23/0035 81/177.85
2012/0169000 A1 *	7/2012	Lin	B25B 1/24 269/216
2015/0343627 A1 *	12/2015	Hensley	B25G 1/043 81/125.1
2016/0223286 A1 *	8/2016	Storch	F41C 23/16
2016/0243679 A1 *	8/2016	Hansley	B25B 13/14

OTHER PUBLICATIONS

Aluminum Fuel Cap Spanner Key, Speedway Motors, [online], [site visited Sep. 13, 2016]. <URL:<http://www.speedwaymotors.com/Aluminum-Fuel-Cap-Spanner-Key-for-617-9040-Kit,74452.html>>.*

Heavy Duty Galvanized Square Tube Fittings, Farmtek, [online], [site visited Sep. 21, 2016]. <URL:http://www.farmtek.com/farm/supplies/prod1%3Bft1_building_material%3Bpg104624.html>.*

Square Tube Fittings—3 Way Connector, TekSupply, [online], [site visited Sep. 21, 2016]. <URL:http://www.teksupply.com/contractor/supplies/prod1;pg104624_104626.html>.*

* cited by examiner

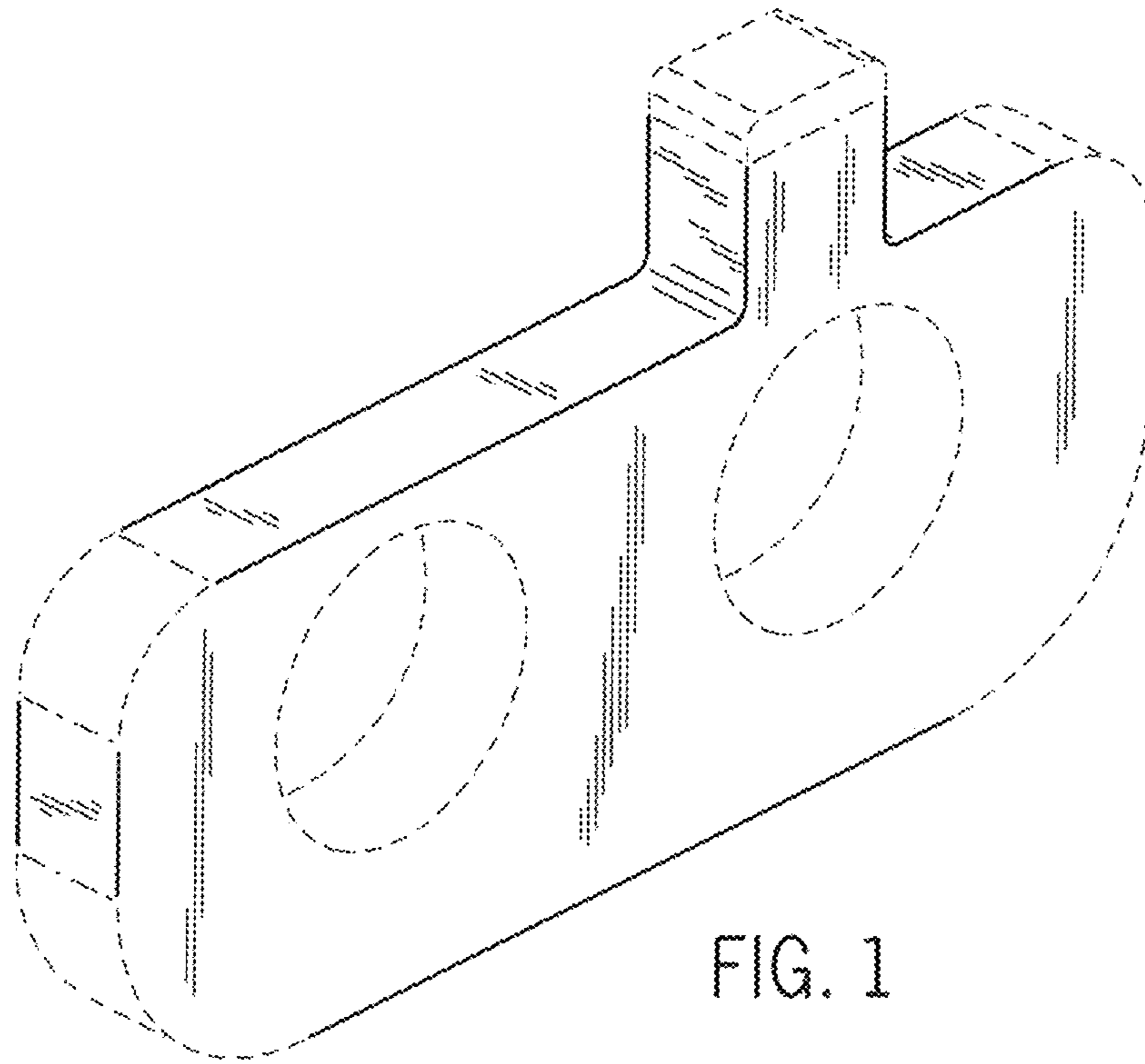


FIG. 1

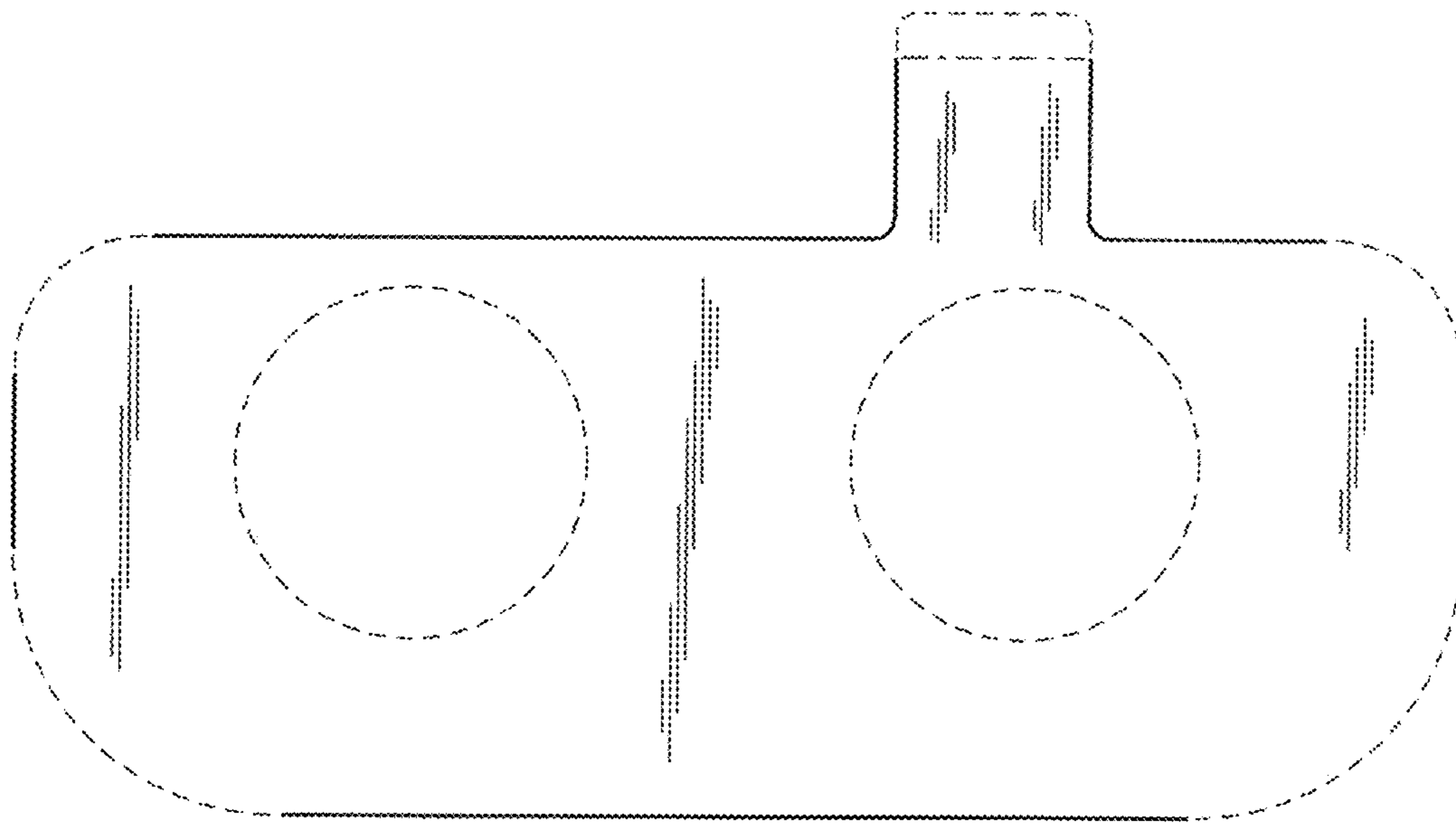


FIG. 2

FIG. 3

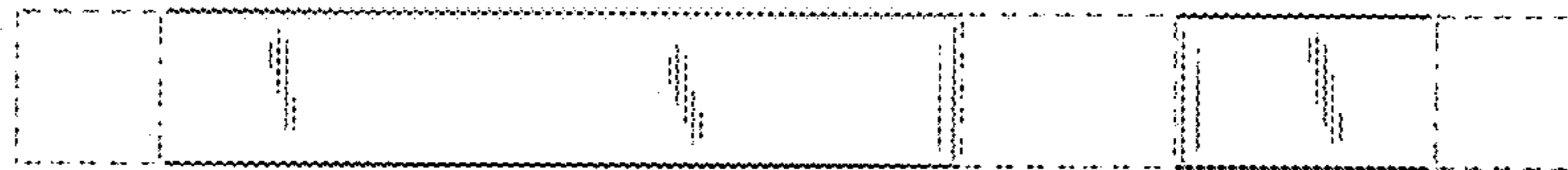
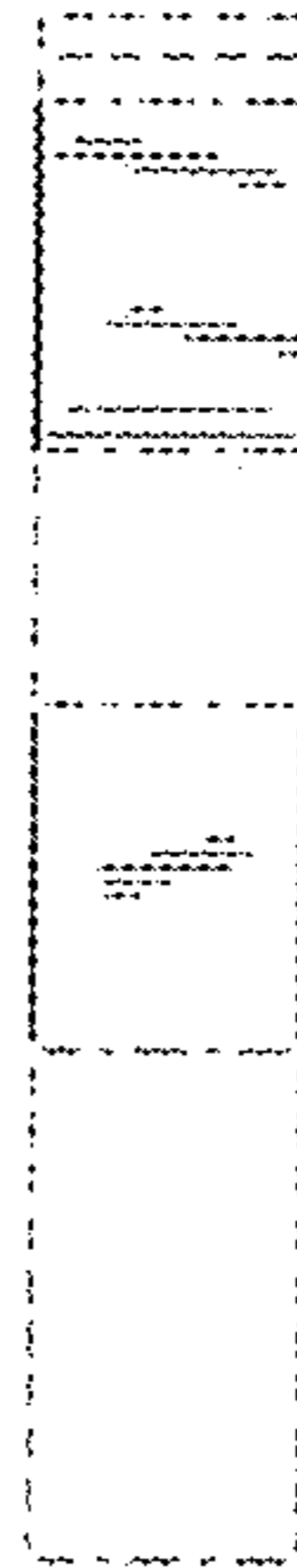


FIG. 4



FIG. 5