



US00D788869S

(12) **United States Design Patent**  
**Osimo**

(10) **Patent No.:** **US D788,869 S**

(45) **Date of Patent:** **\*\* Jun. 6, 2017**

(54) **RECREATIONAL FLOTATION DEVICE**

(71) Applicant: **Aqua-Leisure Industries, Inc.**, Avon, MA (US)

(72) Inventor: **Paul Osimo**, Providence, RI (US)

(73) Assignee: **Aqua-Leisure Industries, Inc.**, Avon, MA (US)

(\*\*) Term: **15 Years**

(21) Appl. No.: **29/532,600**

(22) Filed: **Jul. 8, 2015**

(51) **LOC (10) Cl.** ..... **21-02**

(52) **U.S. Cl.**  
USPC ..... **D21/803**

(58) **Field of Classification Search**  
USPC ..... D21/801, 803, 805, 809, 712, 788;  
D6/596, 601, 604-605, 616, 621  
CPC .. B63B 35/76; B63B 7/00; B63B 7/06; B63B  
7/08; B63B 114/253; B63B  
114/345-114/346; B63B 441/35; B63B  
441/66; B63B 441/74; B63B  
441/40-441/42; B63B 441/129-441/132;  
B63B 472/128-472/129; B63C  
2009/0023; B63C 9/02; B63C 9/04; B63C  
9/08; B63C 2009/042; B63C 2009/046  
See application file for complete search history.

(56) **References Cited**

**U.S. PATENT DOCUMENTS**

D110,159 S	6/1938	Taylor	
D139,176 S	10/1944	Gaide	
2,367,323 A	1/1945	Apel	
2,549,597 A	4/1951	Harris et al.	
D183,016 S	6/1958	O'Herron	
D194,646 S *	2/1963	Del Mar	114/290
D199,470 S *	10/1964	Ziff	D12/11
3,235,892 A	2/1966	Emery	

D206,506 S	12/1966	Lambach	
3,323,154 A	6/1967	Lambach	
D222,282 S	10/1971	Hill	
3,781,933 A	1/1974	Soter	
4,276,844 A	7/1981	Fremont	
D264,370 S	5/1982	McCarthy	
D265,116 S	6/1982	Churchill	
D269,668 S	7/1983	Schweitzer	
D276,359 S *	11/1984	Churchill	D21/769
D279,668 S	7/1985	Larsson	
D299,846 S *	2/1989	Shanelec	D21/769

(Continued)

**OTHER PUBLICATIONS**

U.S. Appl. No. 29/531,818, filed Jun. 30, 2015, Osimo.

(Continued)

*Primary Examiner* — Karen Kearney  
*Assistant Examiner* — Debra Callahan  
(74) *Attorney, Agent, or Firm* — Wolf, Greenfield & Sacks, P.C.

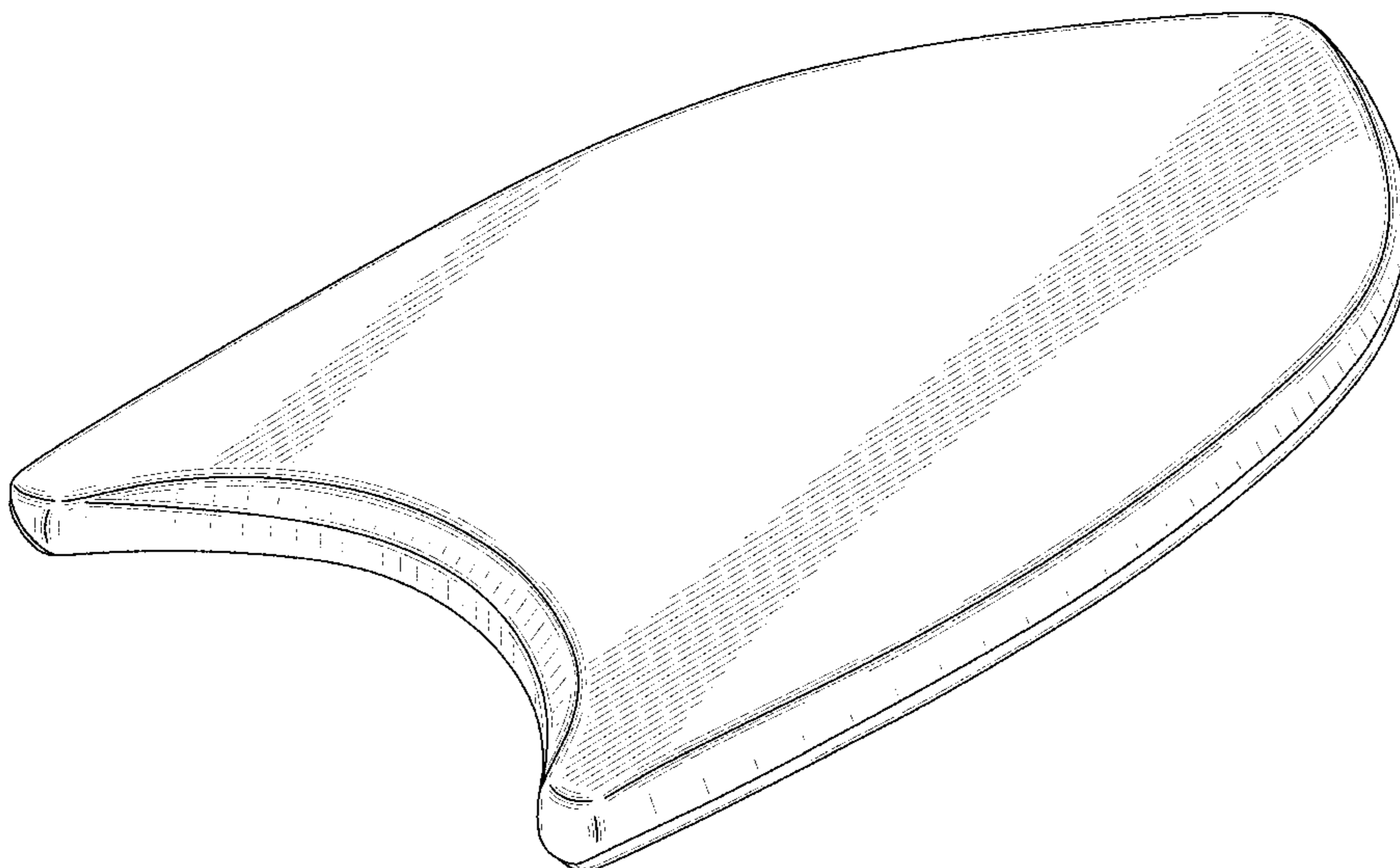
(57) **CLAIM**

The ornamental design for a recreational flotation device, as shown and described.

**DESCRIPTION**

FIG. 1 is a rear perspective view of a recreational flotation device in accordance with my new design. FIG. 2 is a top plan view of the recreational flotation device. FIG. 3 is an elevational view of the right side of the recreational flotation device of FIG. 2, the left side elevational view being a mirror image thereof. FIG. 4 is an elevational view of the front of the recreational flotation device of FIG. 2. FIG. 5 is an elevational view of the rear of the recreational flotation device of FIG. 2; and, FIG. 6 is a bottom plan view of the recreational flotation device.

**1 Claim, 4 Drawing Sheets**



(56)

References Cited

U.S. PATENT DOCUMENTS

D299,847 S \* 2/1989 Shanelec ..... D21/769  
 D308,403 S 6/1990 LaForce, Jr.  
 4,942,839 A 7/1990 Chuan  
 D313,452 S 1/1991 Overton et al.  
 D315,770 S \* 3/1991 Shanelec ..... D21/769  
 D317,561 S 6/1991 Stubbings  
 5,033,742 A 7/1991 Johnson et al.  
 5,114,370 A \* 5/1992 Moran ..... B63B 35/7906  
 441/65  
 5,152,243 A 10/1992 Kuan  
 D338,363 S 8/1993 Martel  
 5,273,470 A \* 12/1993 Sneddon ..... B63B 35/7906  
 441/65  
 D343,220 S 1/1994 Fireman  
 D375,990 S 11/1996 Peterson  
 5,604,945 A 2/1997 Fisher et al.  
 5,618,215 A \* 4/1997 Glydon ..... B63B 1/34  
 114/67 R  
 D383,183 S \* 9/1997 Darejeh ..... D12/6  
 5,855,033 A 1/1999 Frissen et al.  
 D426,097 S 6/2000 Bortolotto  
 6,106,345 A 8/2000 Yeh  
 D434,097 S 11/2000 Fleming  
 D446,273 S 8/2001 Natale  
 D453,367 S \* 2/2002 Katz ..... D21/769  
 D466,175 S \* 11/2002 Katz ..... D21/769  
 D492,380 S 6/2004 Zheng  
 D495,391 S 8/2004 Woo  
 D503,561 S \* 4/2005 Sloan ..... D21/769  
 D504,045 S 4/2005 Rediske  
 D531,251 S 10/2006 Peterson  
 D544,061 S 6/2007 Kuchler  
 D560,264 S \* 1/2008 Nakpodia ..... D21/769  
 7,347,756 B1 3/2008 Candler  
 D571,429 S 6/2008 Roberts  
 D582,500 S \* 12/2008 Hoffman ..... D21/803  
 D586,871 S 2/2009 Vessey  
 D600,768 S \* 9/2009 Foti ..... D21/803  
 D607,524 S 1/2010 Marciano  
 D627,026 S \* 11/2010 Durocher ..... D21/769  
 D628,667 S \* 12/2010 McCarthy ..... D21/769  
 D634,805 S 3/2011 Cushing  
 D637,250 S 5/2011 Arzente et al.  
 D649,615 S \* 11/2011 Scott ..... D21/769  
 D658,255 S 4/2012 Burke  
 D662,562 S \* 6/2012 Ross ..... D21/769  
 D671,635 S 11/2012 Pan  
 8,747,173 B1 6/2014 Schultz et al.  
 D713,917 S \* 9/2014 Brodhead ..... D21/769  
 D713,918 S 9/2014 Brodhead  
 D717,075 S 11/2014 Robo

8,979,604 B1 3/2015 Woolley  
 2003/0181107 A1 9/2003 Kuan  
 2004/0152377 A1 \* 8/2004 Katz ..... B63B 35/7906  
 441/74  
 2005/0126467 A1 \* 6/2005 Bouquard ..... B63B 7/082  
 114/345  
 2005/0215135 A1 \* 9/2005 Hall ..... B63B 35/7906  
 441/55  
 2010/0299837 A1 12/2010 Yandle  
 2011/0197801 A1 8/2011 Terrell  
 2013/0065463 A1 3/2013 Chou et al.  
 2013/0137319 A1 5/2013 Haller et al.  
 2013/0280971 A1 \* 10/2013 Dovell ..... B63B 35/7906  
 441/74  
 2014/0030942 A1 1/2014 Ebrahimi  
 2014/0080369 A1 3/2014 Haller et al.  
 2014/0141667 A1 \* 5/2014 DiLorenzo ..... B63B 35/7906  
 441/74  
 2014/0179181 A1 \* 6/2014 King ..... A63B 69/14  
 441/65  
 2014/0242861 A1 \* 8/2014 Schultz ..... A63B 31/00  
 441/129  
 2014/0364023 A1 12/2014 Miles  
 2014/0364280 A1 12/2014 Haldeman  
 2015/0024645 A1 1/2015 Neal  
 2015/0111448 A1 4/2015 McLelan  
 2015/0147927 A1 \* 5/2015 Elkinton ..... B63B 35/79  
 441/74  
 2015/0239533 A1 \* 8/2015 Walker ..... B63B 35/7909  
 441/74  
 2015/0360756 A1 12/2015 Sciarra  
 2016/0107731 A1 \* 4/2016 Chen ..... B63B 35/7926  
 441/66  
 2016/0144934 A1 \* 5/2016 Rizzo ..... B63B 35/7936  
 441/74  
 2016/0194056 A1 7/2016 Chang  
 2016/0200405 A1 7/2016 Kim  
 2016/0213992 A1 \* 7/2016 Fike ..... A63B 69/14

OTHER PUBLICATIONS

U.S. Appl. No. 29/531,922, filed Jun. 30, 2015, Osimo.  
 U.S. Appl. No. 29/532,101, filed Jul. 1, 2015, Osimo.  
 U.S. Appl. No. 29/532,111, filed Jul. 1, 2015, Osimo.  
 [No Author Listed] Rave Sport Razor 2-Person Towable, Yellow.  
 Walmart. [https://www.walmart.com/ip/Rave-Sports-Razor/16207737?action=product\\_interest&action\\_type=title&itemid\\_=16207737&placement\\_id=irs-106-t1&strategy=PWVAV&visitor\\_id=&category=&client\\_guid=b3c09b0e-77a3-4941-ae0-f4681b382148&customer\\_id\\_enc&](https://www.walmart.com/ip/Rave-Sports-Razor/16207737?action=product_interest&action_type=title&itemid_=16207737&placement_id=irs-106-t1&strategy=PWVAV&visitor_id=&category=&client_guid=b3c09b0e-77a3-4941-ae0-f4681b382148&customer_id_enc&) [last accessed Oct. 19, 2016].

\* cited by examiner

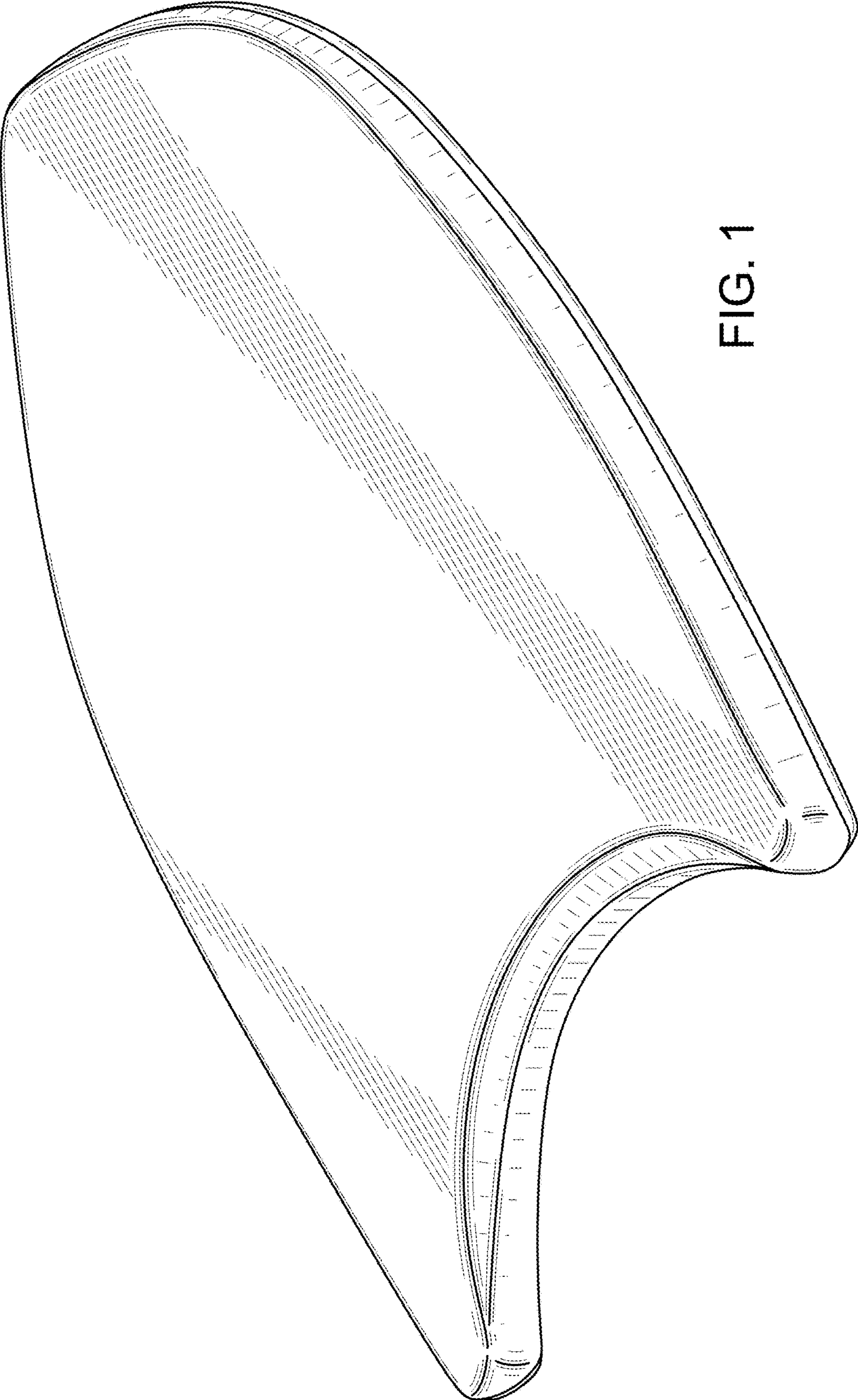


FIG. 1

FIG. 2

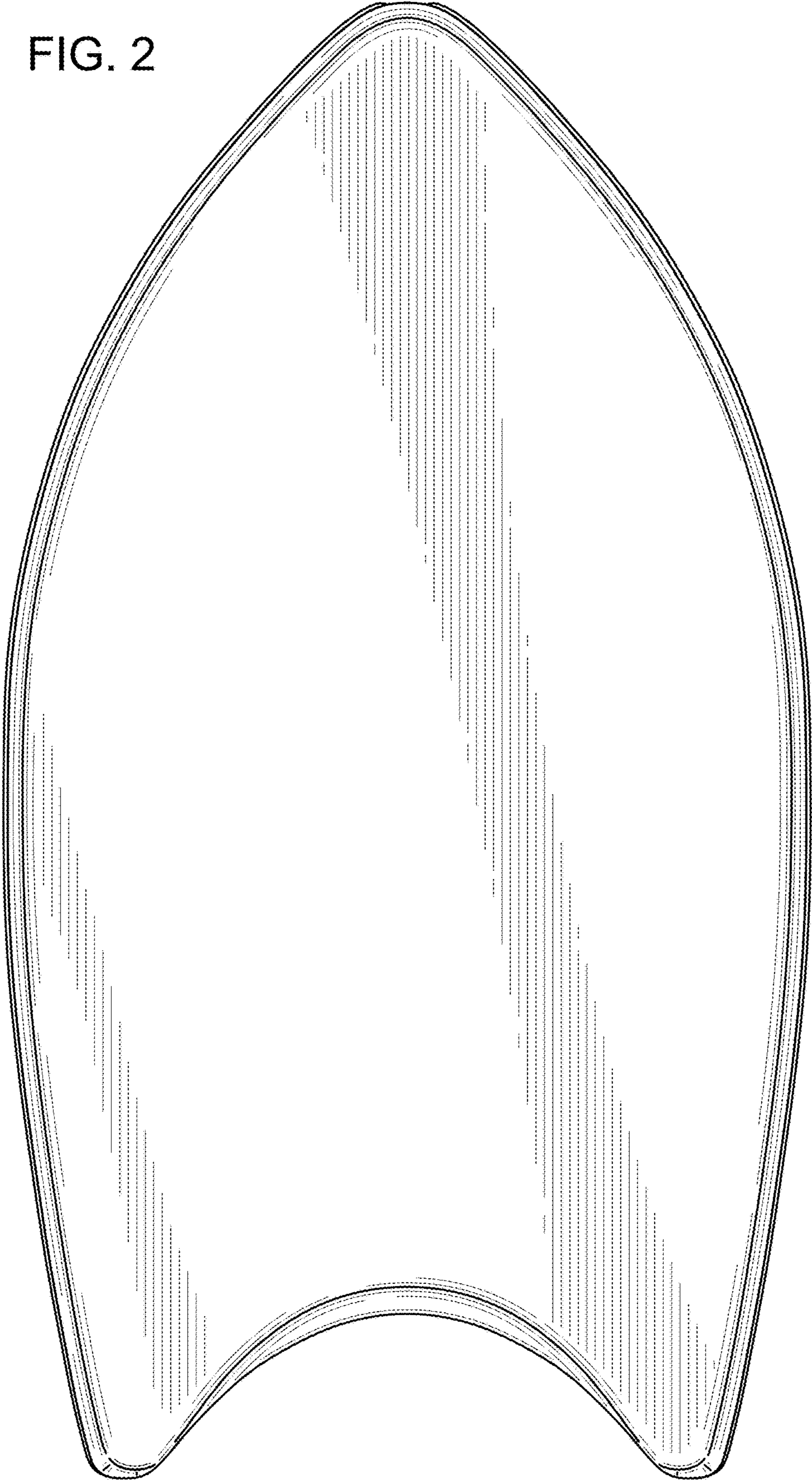


FIG. 3

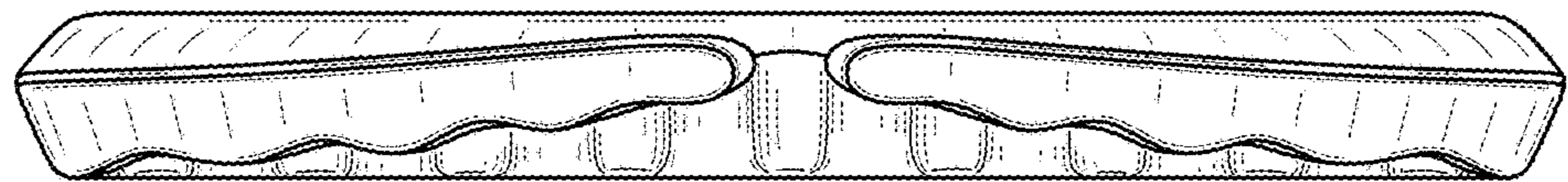
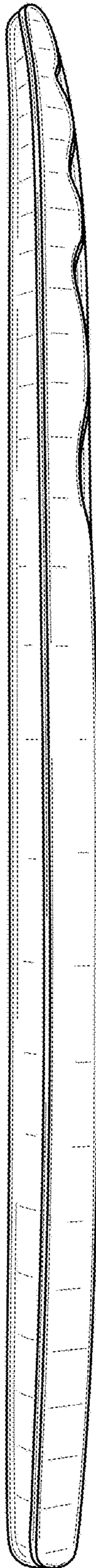


FIG. 4

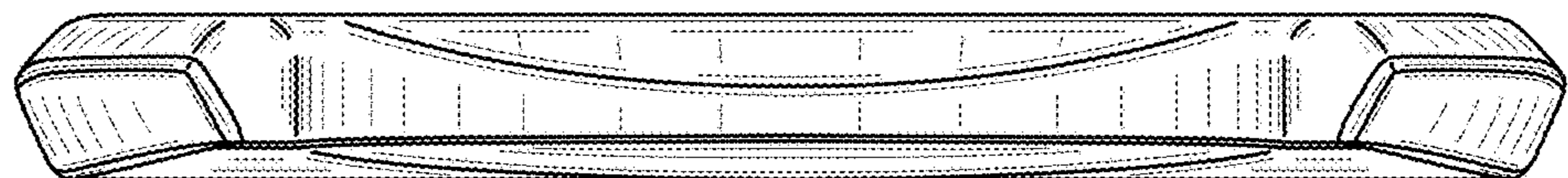


FIG. 5

FIG. 6

