



US00D788868S

(12) **United States Design Patent**
Bisang et al.

(10) **Patent No.:** **US D788,868 S**

(45) **Date of Patent:** **** Jun. 6, 2017**

(54) **TRAMPOLINE WITH FIXED LEGS**

(71) Applicant: **Angehrn AG Umformtechnik,**
Degersheim (CH)

(72) Inventors: **Erwin Bisang,** Huenenberg (CH);
Christian Mehr, Kuessnacht SZ (CH)

(73) Assignee: **Angehrn AG Umformtechnik,**
Degersheim (CH)

(**) Term: **15 Years**

(21) Appl. No.: **29/568,650**

(22) Filed: **Jun. 20, 2016**

(51) **LOC (10) Cl.** **21-02**

(52) **U.S. Cl.**
USPC **D21/797**

(58) **Field of Classification Search**
USPC D21/797, 668, 669, 834, 826;
D6/582-594, 716; 482/27, 35, 29, 112,
482/33, 110, 148, 28, 77, 147, 51;
297/23, 26, 452.18; 135/96, 117;
D30/112; D25/1, 16, 22, 56; 446/220;
473/469; 182/139, 224; 273/395, 402;
D8/21, 29, 14; 81/124.6, 63.1, 177.85,
81/125.1, 177.2
CPC . A63B 21/023; A63B 71/022; A63B 2208/12;
A63B 2210/50

See application file for complete search history.

(56) **References Cited**

U.S. PATENT DOCUMENTS

- 3,948,515 A * 4/1976 McNeil A63B 5/11
482/27
- D241,218 S * 8/1976 Harmony D6/334
- 4,139,192 A * 2/1979 McNeil A63B 5/11
403/293
- RE30,344 E * 7/1980 McNeil A63B 5/11
182/139
- 4,331,329 A * 5/1982 Mirkovich A63B 5/11
482/27

- D270,557 S * 9/1983 Williams D21/797
- 4,483,531 A * 11/1984 Laseman A63B 5/11
482/27
- 4,489,933 A * 12/1984 Fisher A63B 5/11
482/147
- D287,909 S * 1/1987 Weiss D21/797
- 5,007,638 A * 4/1991 Yukl A63B 69/0097
273/395

(Continued)

FOREIGN PATENT DOCUMENTS

GB 2496313 A 5/2013

OTHER PUBLICATIONS

Talent by Alibaba posted it dated no date given. Found online [Jan. 18, 2017] https://www.alibaba.com/product-detail/New-style-50-foldable-bungee-mini_60178767267.html.*

(Continued)

Primary Examiner — Robert M Spear
Assistant Examiner — Ryan Harvey
(74) *Attorney, Agent, or Firm* — Fay Sharpe LLP

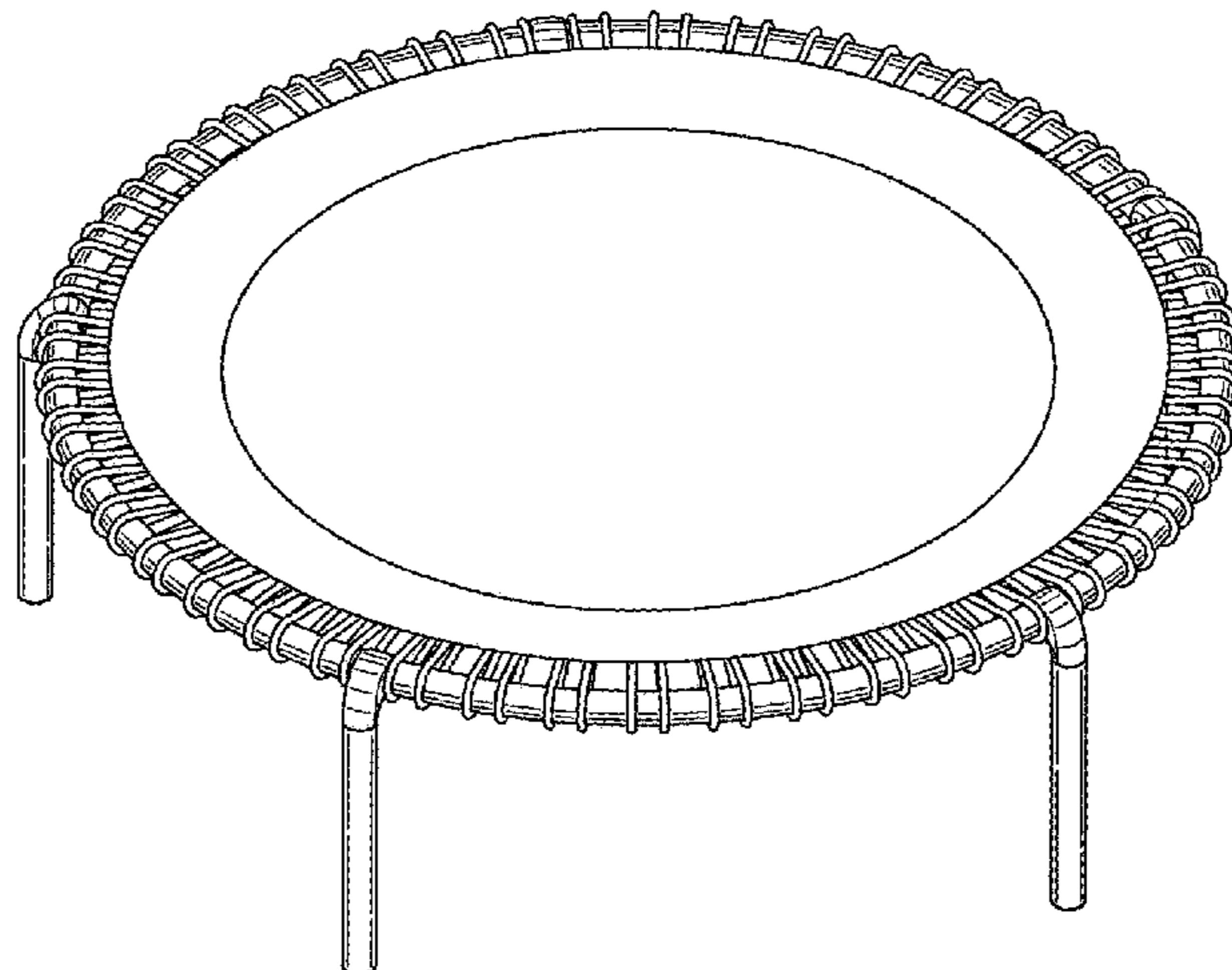
(57) **CLAIM**

The ornamental design for a trampoline with fixed legs, as shown and described.

DESCRIPTION

FIG. 1 is a top perspective view of a trampoline with fixed legs showing our new design;
FIG. 2 is a front elevational view thereof;
FIG. 3 is a rear elevational view thereof;
FIG. 4 is a left side elevational view thereof;
FIG. 5 is a right side elevational view thereof;
FIG. 6 is a top plan view thereof; and,
FIG. 7 is a bottom plan view thereof.
The parts shown in broken lines in FIG. 7 form no part of the claimed design.

1 Claim, 7 Drawing Sheets



(56)

References Cited

U.S. PATENT DOCUMENTS

5,399,132 A * 3/1995 Bailey A63B 5/11
160/135
5,545,110 A * 8/1996 Hsiang A63B 5/11
482/27
5,613,922 A * 3/1997 Hsiang A63B 69/0097
108/8
6,001,045 A * 12/1999 Gift A63B 5/11
482/27
6,036,620 A * 3/2000 Yang A63B 5/11
482/27
6,110,074 A * 8/2000 Tacquet A63B 5/11
482/27
6,129,649 A * 10/2000 Yang A63B 5/11
482/27
6,155,495 A * 12/2000 Jones A63B 5/11
239/289
D504,711 S * 5/2005 Hsiung D21/797
7,494,445 B1 * 2/2009 Chen A63B 5/11
482/27
7,794,360 B2 * 9/2010 Publicover A63B 5/11
482/27
D633,162 S * 2/2011 Campanaro D21/797
D652,641 S * 1/2012 Mehr D6/334
D661,360 S * 6/2012 Campanaro D21/797
D666,266 S * 8/2012 Publicover et al.
D680,609 S * 4/2013 Publicover D21/797
D716,574 S * 11/2014 Akkad D6/368
D720,550 S * 1/2015 Akkad D6/368
D737,587 S * 9/2015 Akkad D6/368
9,289,637 B2 * 3/2016 Publicover A63B 5/11
D758,515 S * 6/2016 Tsai D21/797
2002/0160884 A1 * 10/2002 Hall A63B 5/11
482/23
2002/0183128 A1 * 12/2002 Cho A63B 63/00
473/197
2003/0060309 A1 * 3/2003 Smith, IV A63B 69/0002
473/431
2005/0113213 A1 * 5/2005 Alexander A63B 5/11
482/27
2005/0137061 A1 * 6/2005 Wang A63B 5/11
482/28
2005/0148433 A1 * 7/2005 Wang A63B 5/11
482/27
2005/0227812 A1 * 10/2005 James A63B 5/11
482/27
2006/0189442 A1 * 8/2006 Publicover A63B 5/11
482/27

2009/0280961 A1 * 11/2009 Ikegami A63B 5/11
482/27
2011/0021322 A1 * 1/2011 Schaffer A63B 5/11
482/29
2011/0034300 A1 * 2/2011 Hall A63B 5/11
482/1
2013/0210590 A1 * 8/2013 Publicover A63B 5/11
482/110
2014/0051550 A1 * 2/2014 Chen A63B 5/11
482/27
2014/0315691 A1 * 10/2014 Turner A63B 26/003
482/27
2014/0342880 A1 * 11/2014 Nelson A63B 5/11
482/27
2015/0080186 A1 * 3/2015 Carlin A63B 5/11
482/27
2016/0096056 A1 * 4/2016 De Boer A63B 5/11
482/27

OTHER PUBLICATIONS

JumpSprt by Jump sport dated no date given. Found online [Jan. 18, 2017] http://www.jumpsport.com/JumpSport-Fitness-Trampolines.*
<http://www.jumpsport.com/Fitness-Trampoline-Model-350?sc=15& category=22470>, (Jumpsport, on the market since approximately 2009-2012), Screenshot—Sep. 6, 2016.
https://www.bellicon.com/shop/ch_de/trampolin-shop/configurator/bellicon-premium-49.html, (Bellicon, on the market since approximately 2005), Screenshot—Sep. 6, 2016.
<https://www.galaxus.ch/de/s3/product/kettler-trampolin-95cm-fitnessstrampolin-2756159>, (Trimilin, on the market since approximately 1980), Screenshot—Sep. 6, 2016.
<https://www.galaxus.ch/de/s3/product/kettler-trampolin-95cm-fitnessstrampolin-2756159>, (Kettler, on the market since approximately 2007), Screenshot—Sep. 6, 2016.
http://www.frankenspalter.ch/epages/Frankenspalter.sf/?Locale=de_CH&ObjectPath=/Shops/Frankenspalter/Products/018018&ViewAction=ViewProductViaPortal&gclid=Ci0KEQjw0rm-BRCn85bm8uS-zK0BEiQAHo4vrJkUbpBTiqyGiT3qx1XXq04s4ECXekxuJerbwBi5qlkaAga48P8HAQ, (Hudora, on the market since approximately 2010-2012), Screenshot—Sep. 6, 2016.
<http://www.i-bounce.com.sg/>, (I-bounce, on the market since approximately 2012), Screenshot—Sep. 6, 2016.

* cited by examiner

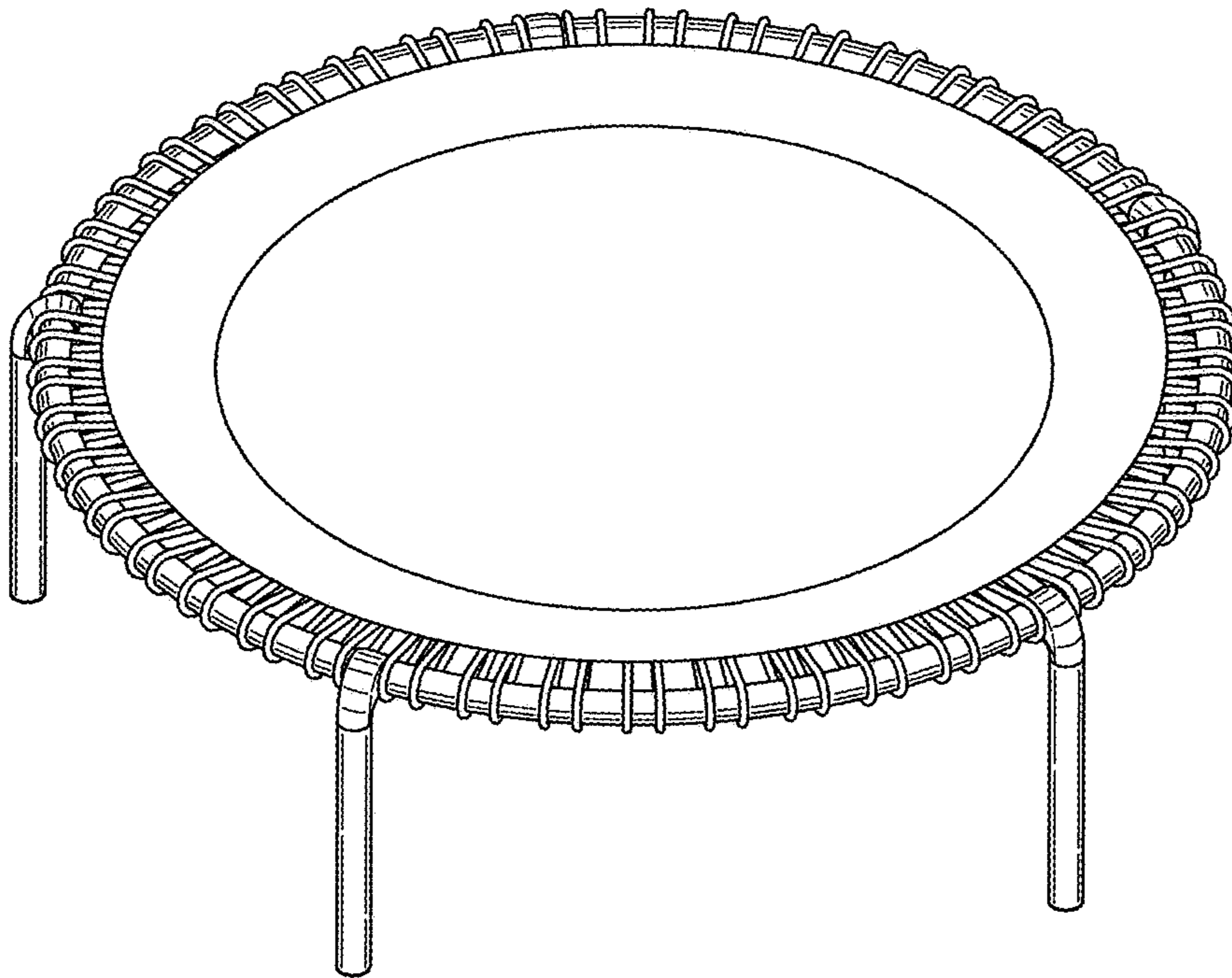


FIG. 1

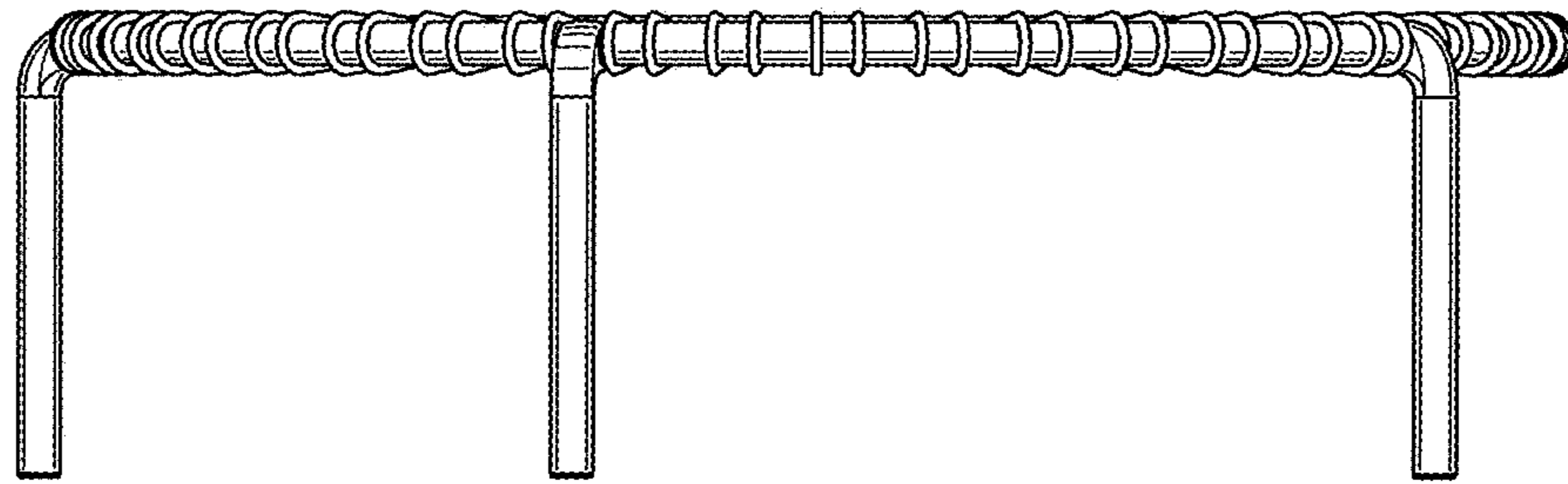


FIG. 2

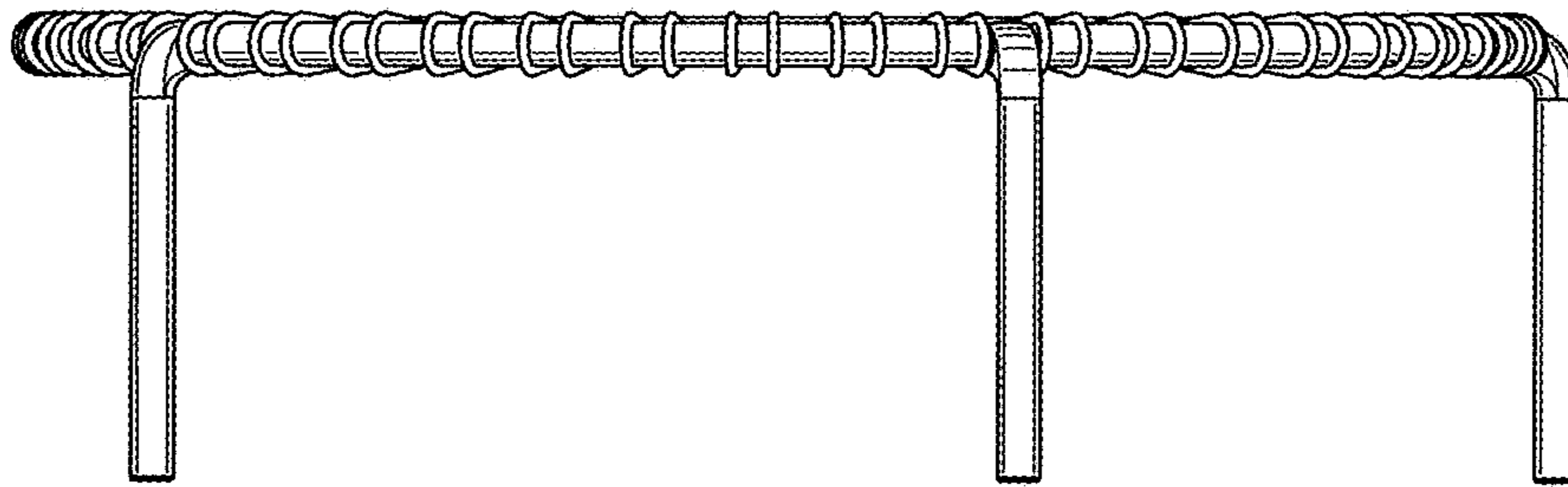


FIG. 3

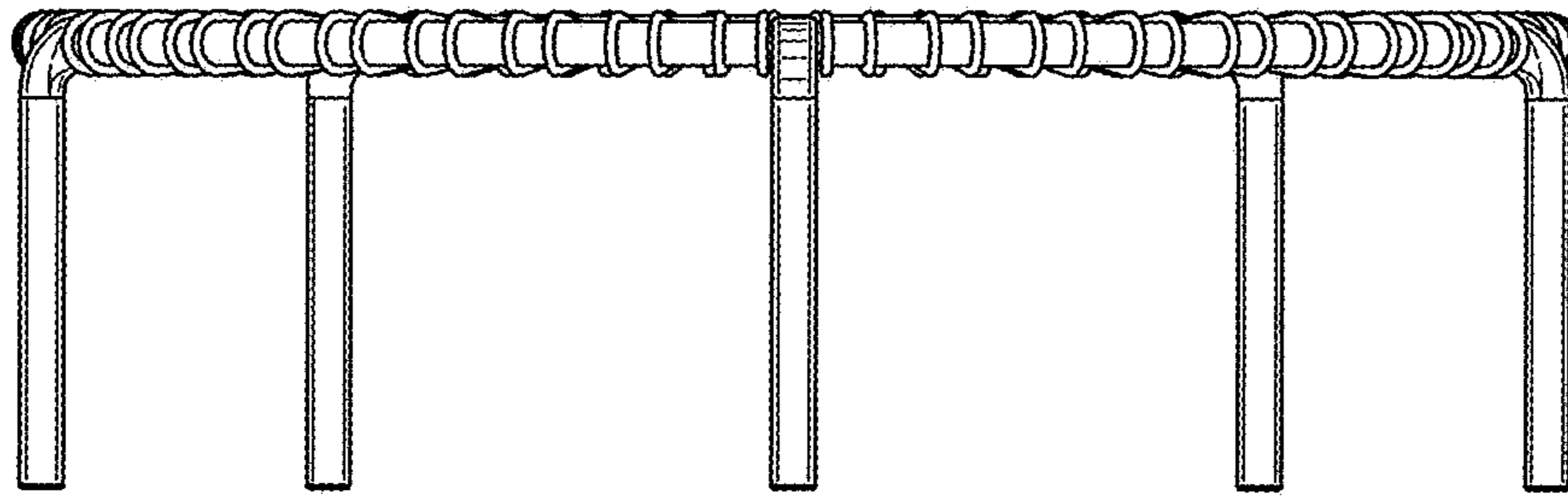


FIG. 4

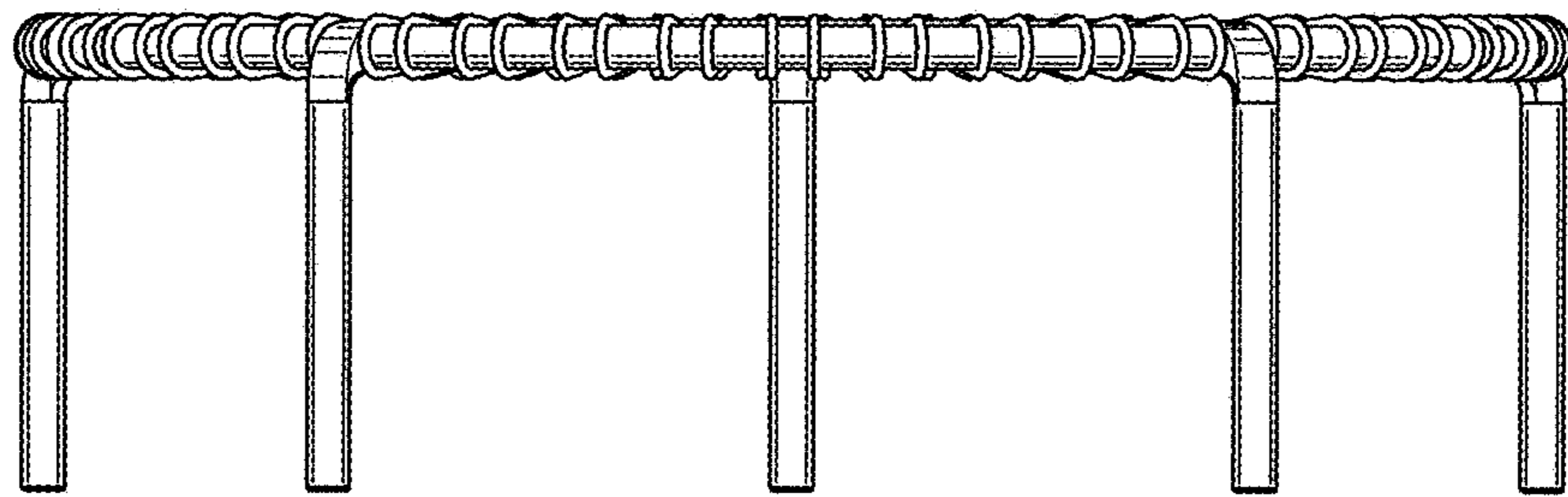


FIG. 5

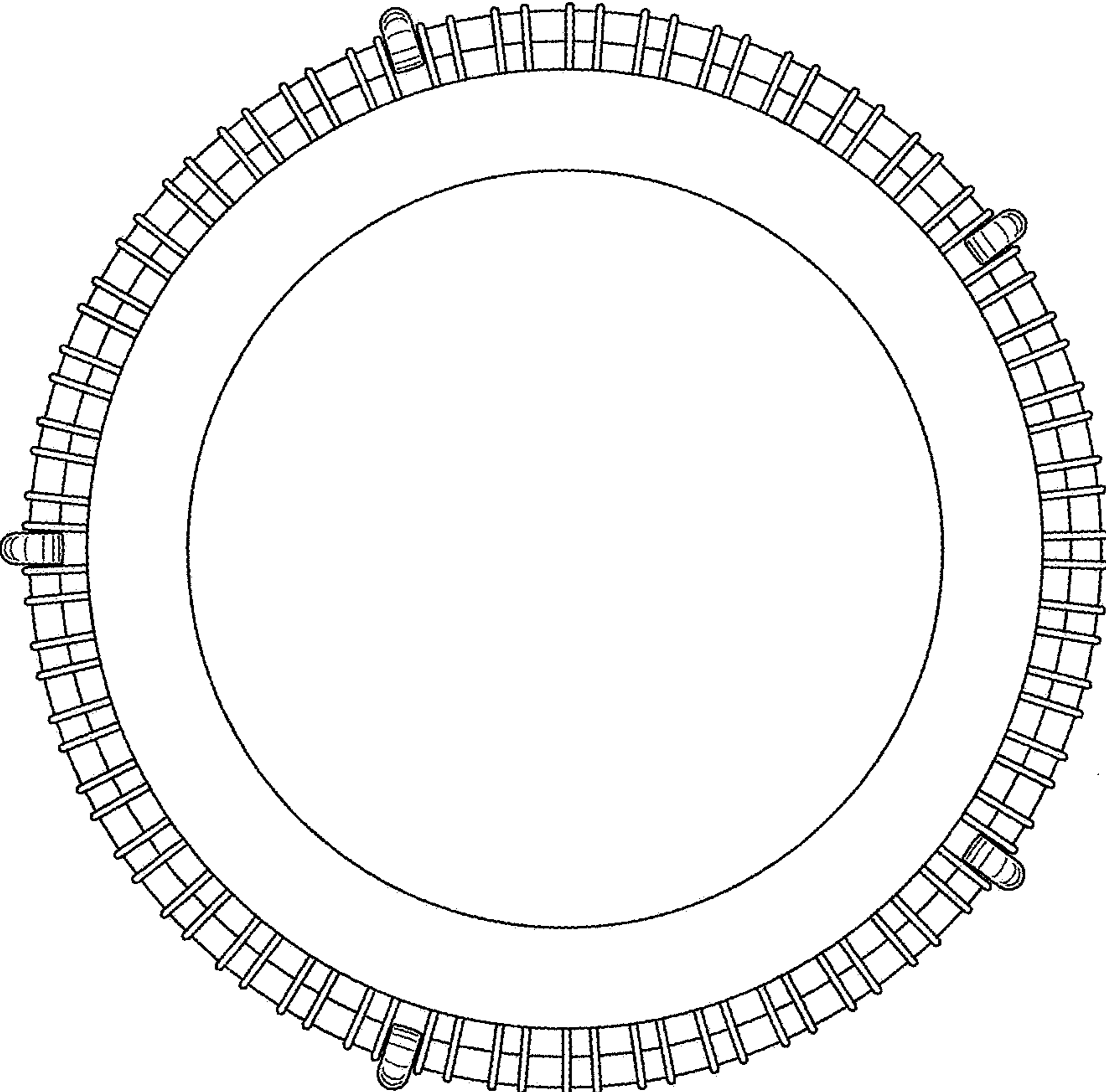


FIG. 6

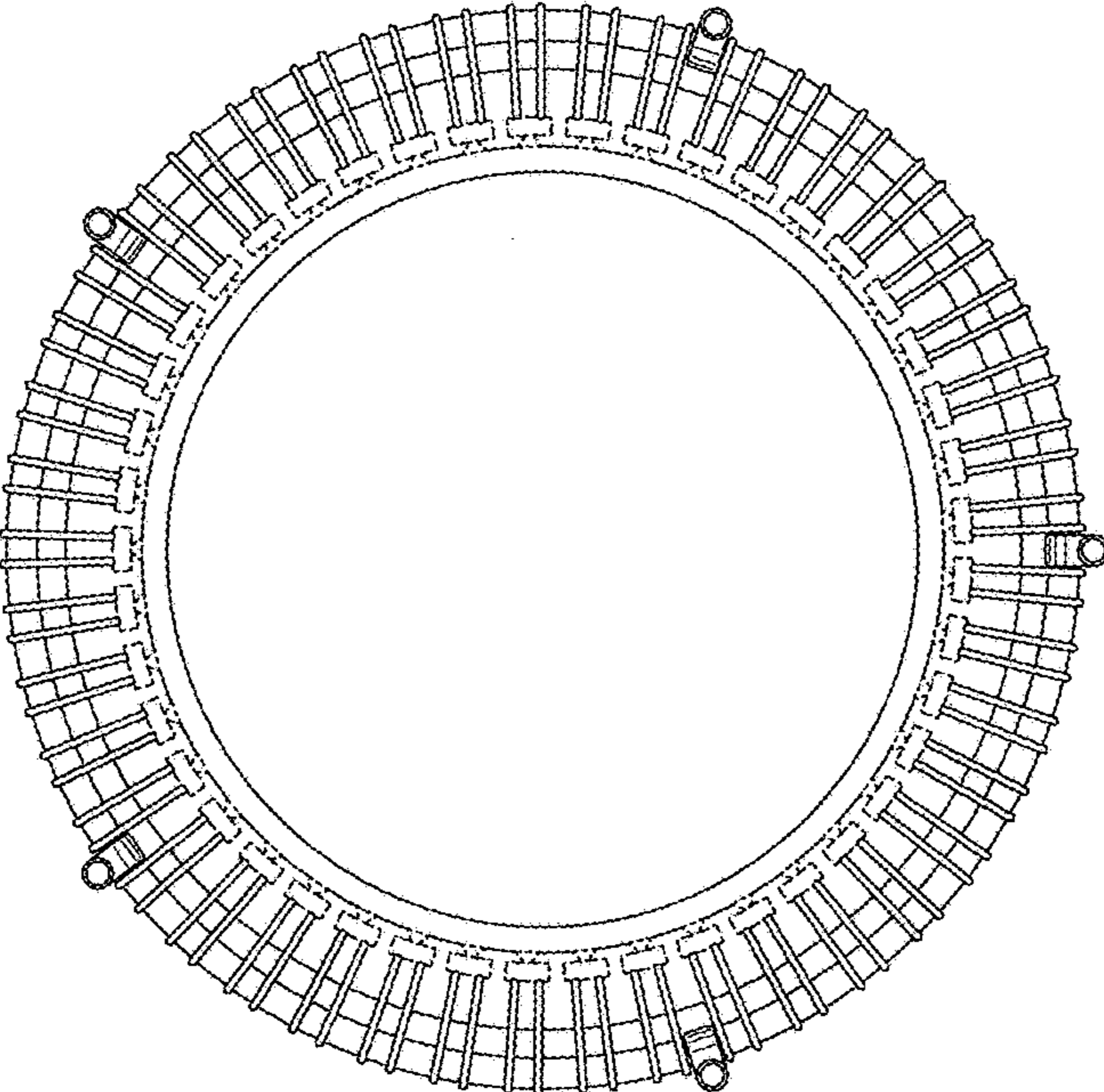


FIG. 7