



US00D788863S

(12) **United States Design Patent**
Honea

(10) **Patent No.:** **US D788,863 S**

(45) **Date of Patent:** **** Jun. 6, 2017**

(54) **GOLF CLUB HEAD**

(71) Applicant: **Justin Honea**, Fort Worth, TX (US)

(72) Inventor: **Justin Honea**, Fort Worth, TX (US)

(**) Term: **15 Years**

(21) Appl. No.: **29/552,607**

(22) Filed: **Jan. 25, 2016**

(51) **LOC (10) Cl.** **21-02**

(52) **U.S. Cl.**
USPC **D21/747**

(58) **Field of Classification Search**
USPC D21/747-751, 759

CPC A63B 53/00; A63B 53/04; A63B 53/047;
A63B 53/0445; A63B 53/0475; A63B
2053/0479

See application file for complete search history.

(56) **References Cited**

U.S. PATENT DOCUMENTS

D303,132 S	*	8/1989	Muta	D21/748
D327,523 S	*	6/1992	Iinuma	D21/748
D364,206 S	*	11/1995	Schmidt	D21/748
D398,355 S	*	9/1998	Chou	D21/748
D437,902 S	*	2/2001	Persinger	D21/748
D441,821 S	*	5/2001	Turner	D21/747
D454,932 S	*	3/2002	Mahaffey	D21/747

D475,427 S	*	6/2003	Murphy	D21/759
D491,620 S	*	6/2004	Nishitani	D21/747
D579,996 S	*	11/2008	Gilbert	D21/747
D581,000 S	*	11/2008	Nicolette	D21/749
D604,783 S	*	11/2009	Nicolette	D21/747

* cited by examiner

Primary Examiner — Mitchell Siegel

(74) *Attorney, Agent, or Firm* — Michael S. Young IP Law LLC; Michael S. Young

(57) **CLAIM**

I claim the ornamental design for a golf club head, substantially as shown and described.

DESCRIPTION

FIG. 1 is a back perspective view of my design for a golf club head;

FIG. 2 is a front elevational view thereof;

FIG. 3 is a back elevational view thereof;

FIG. 4 is a heel side elevational view thereof;

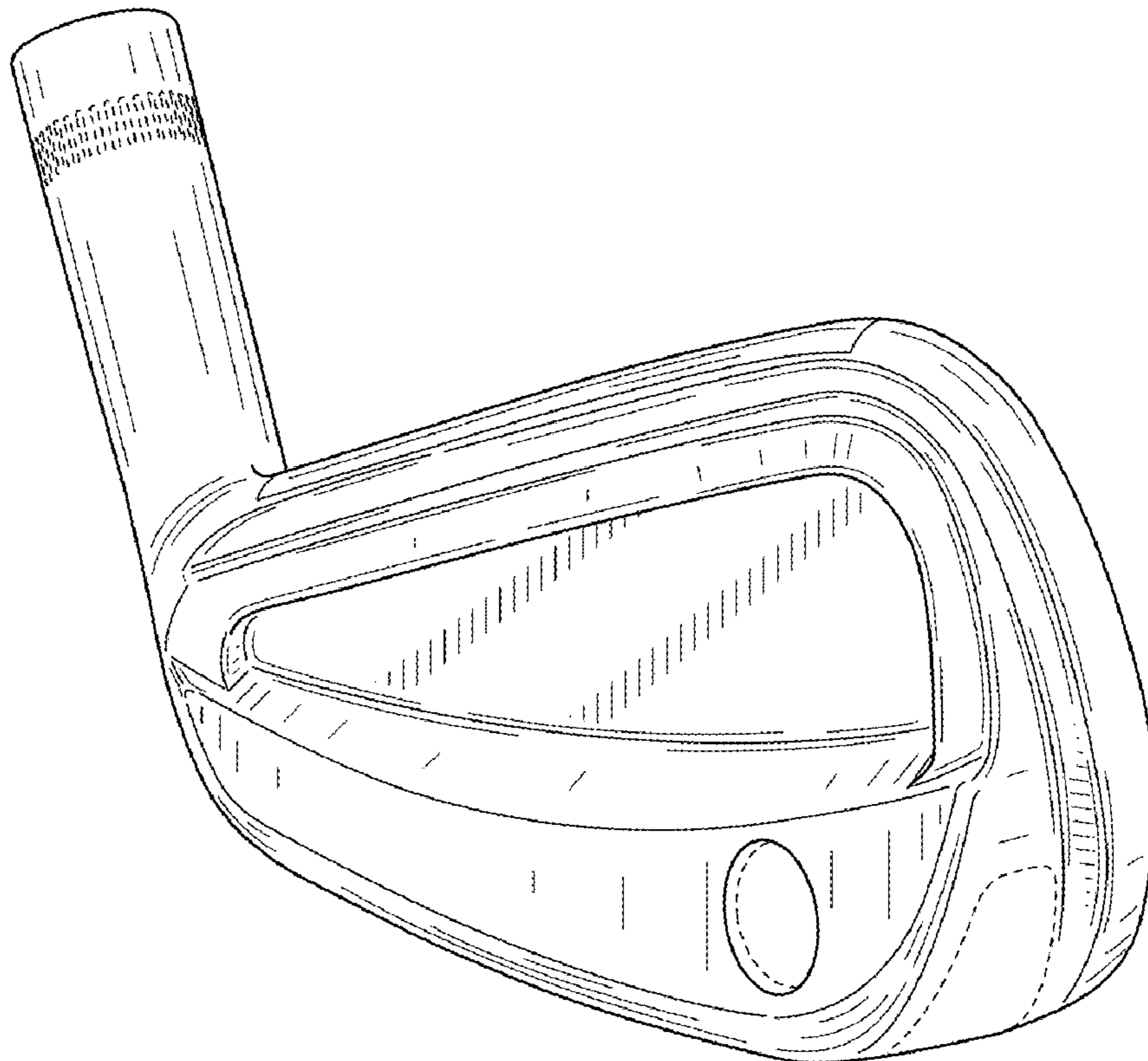
FIG. 5 is a toe side elevational view thereof;

FIG. 6 is a top plan view thereof; and,

FIG. 7 is a bottom plan view thereof.

The broken lines are for illustrative purposes only and formed no part of the claimed design.

1 Claim, 4 Drawing Sheets



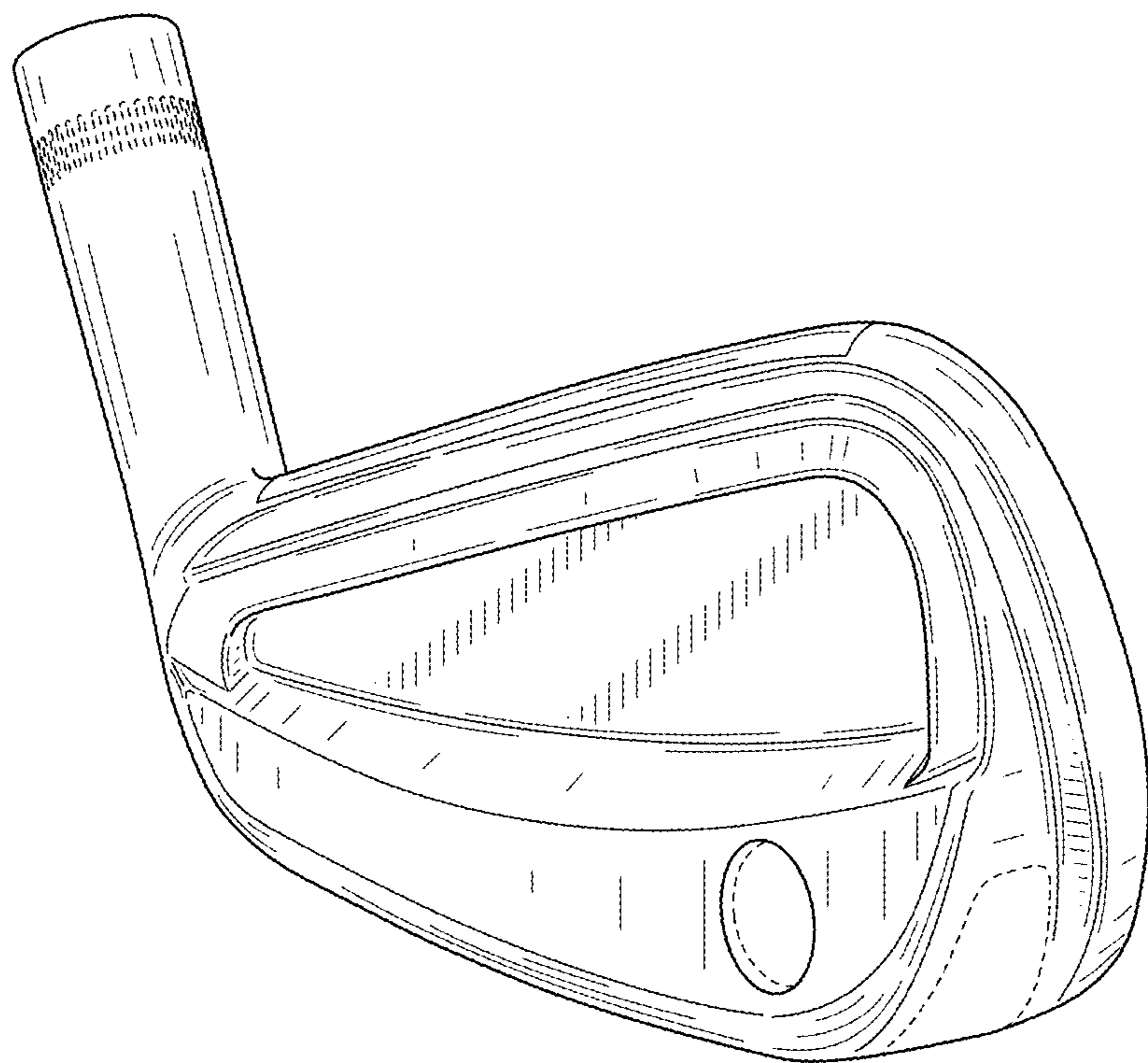


FIG. 1

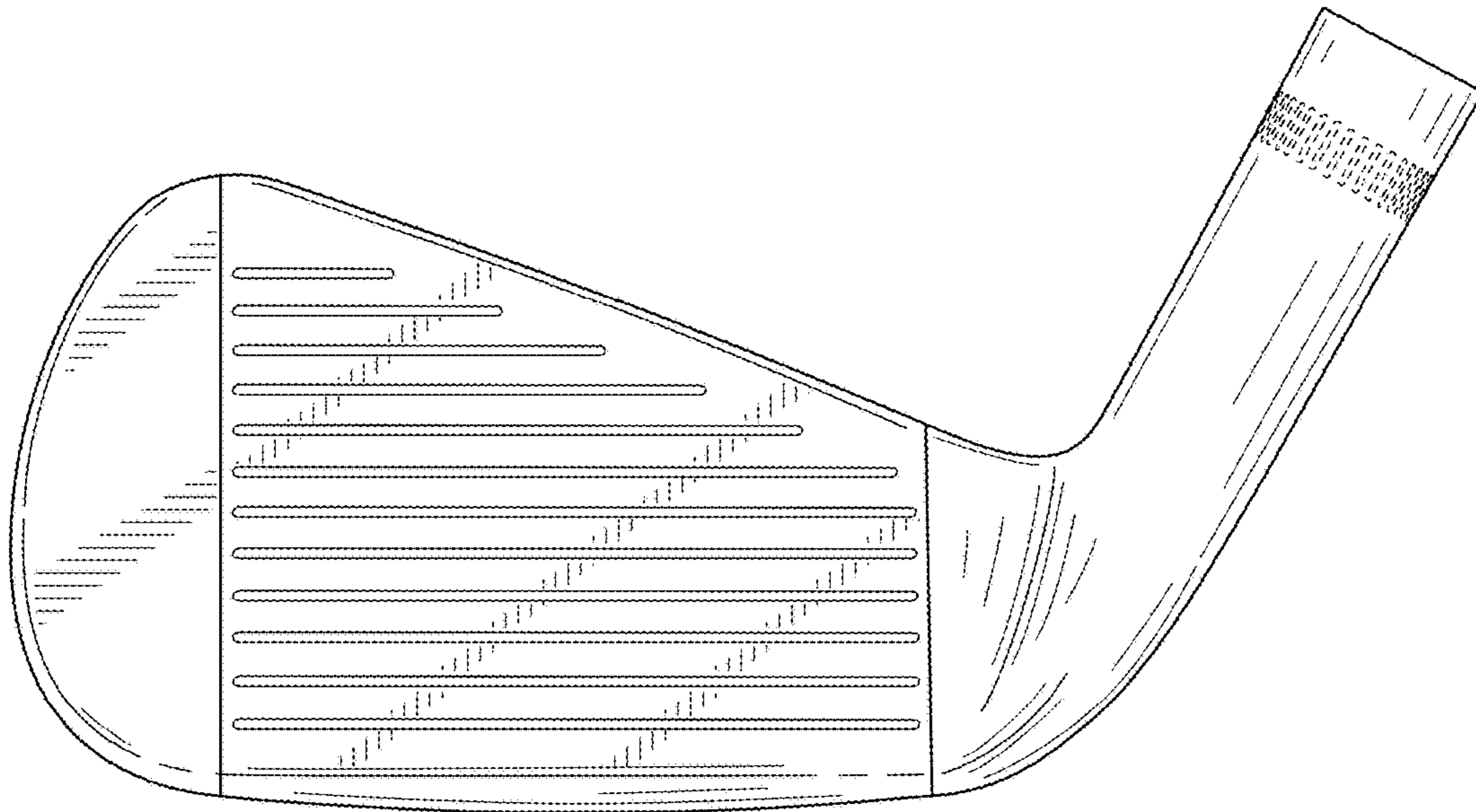


FIG. 2

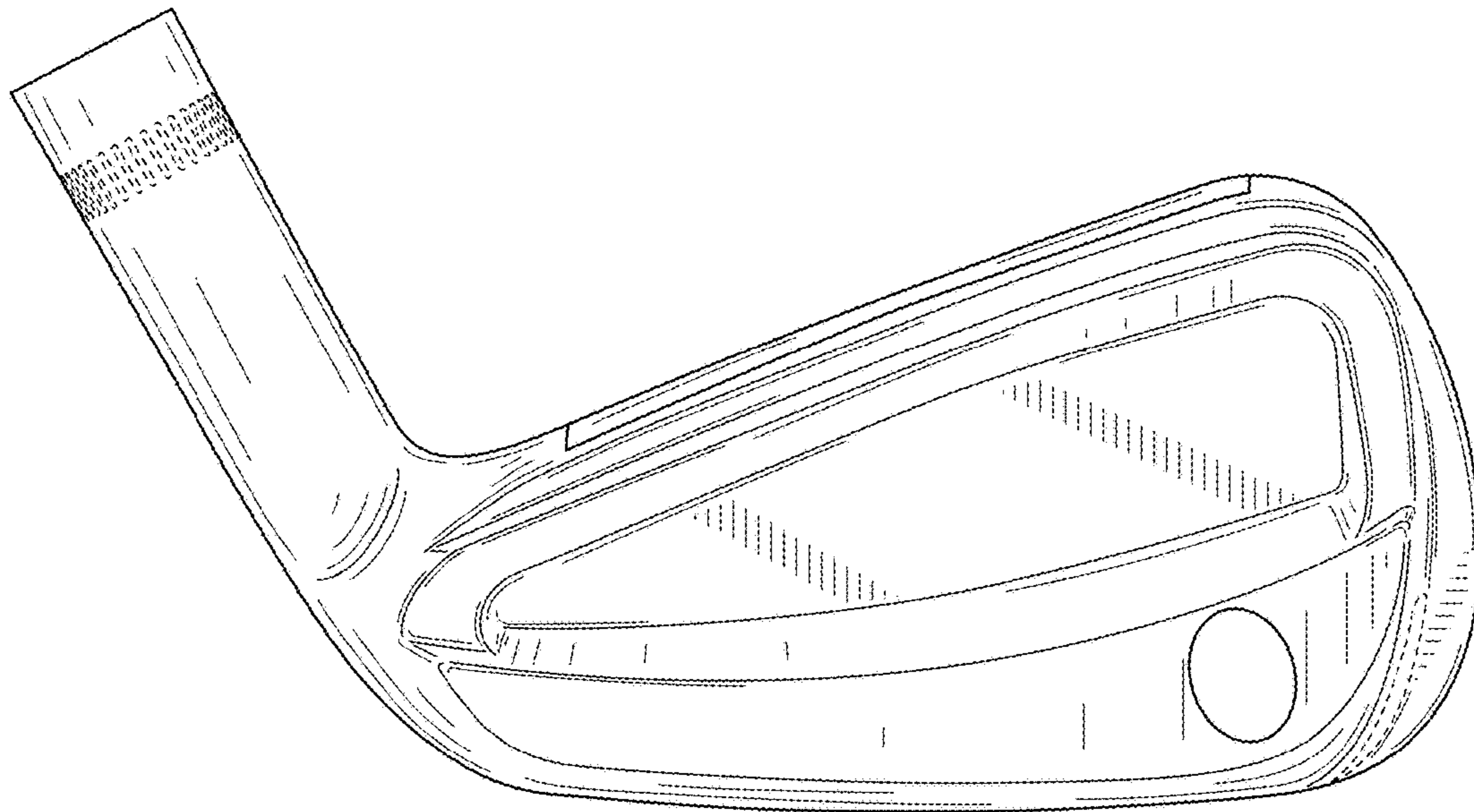


FIG. 3

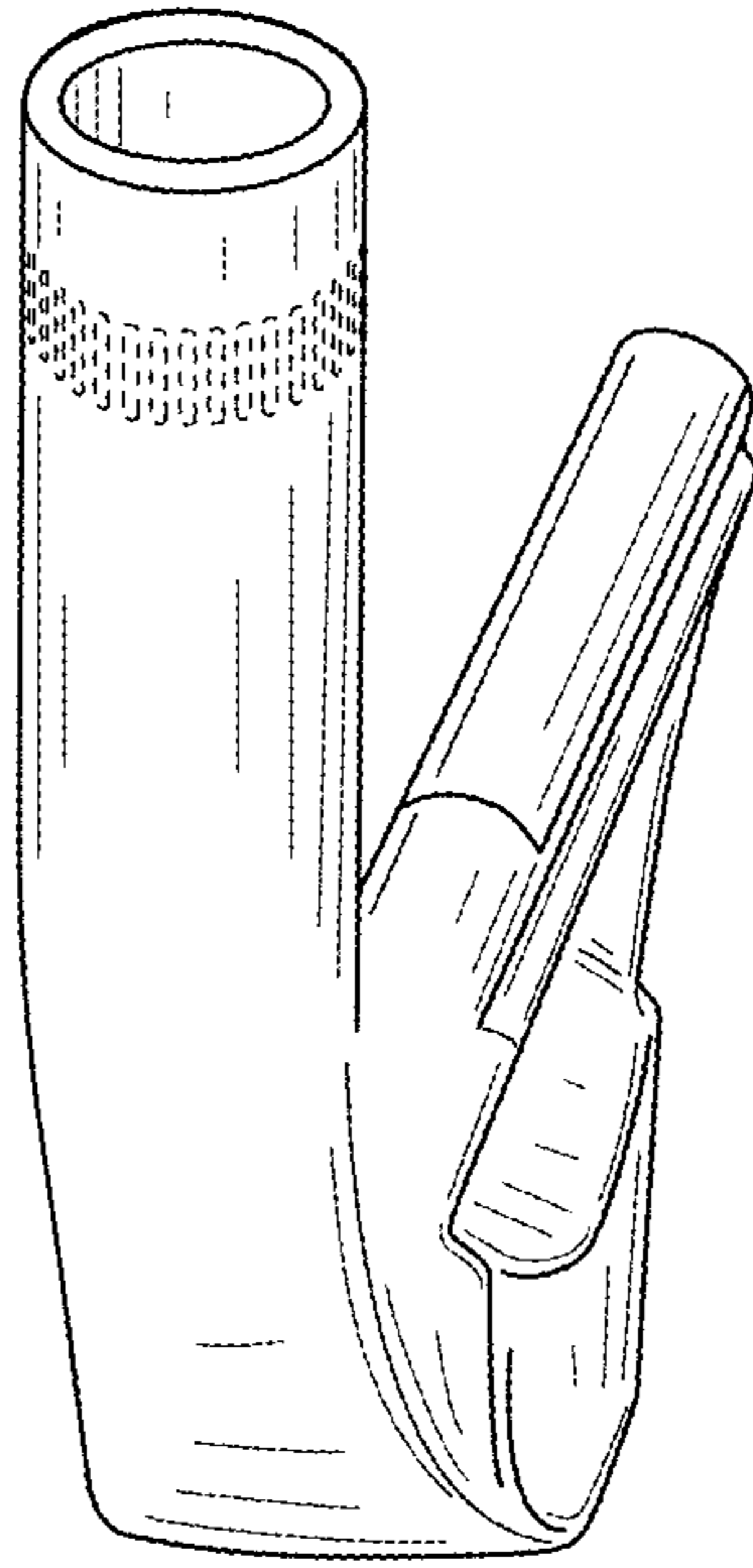


FIG. 4

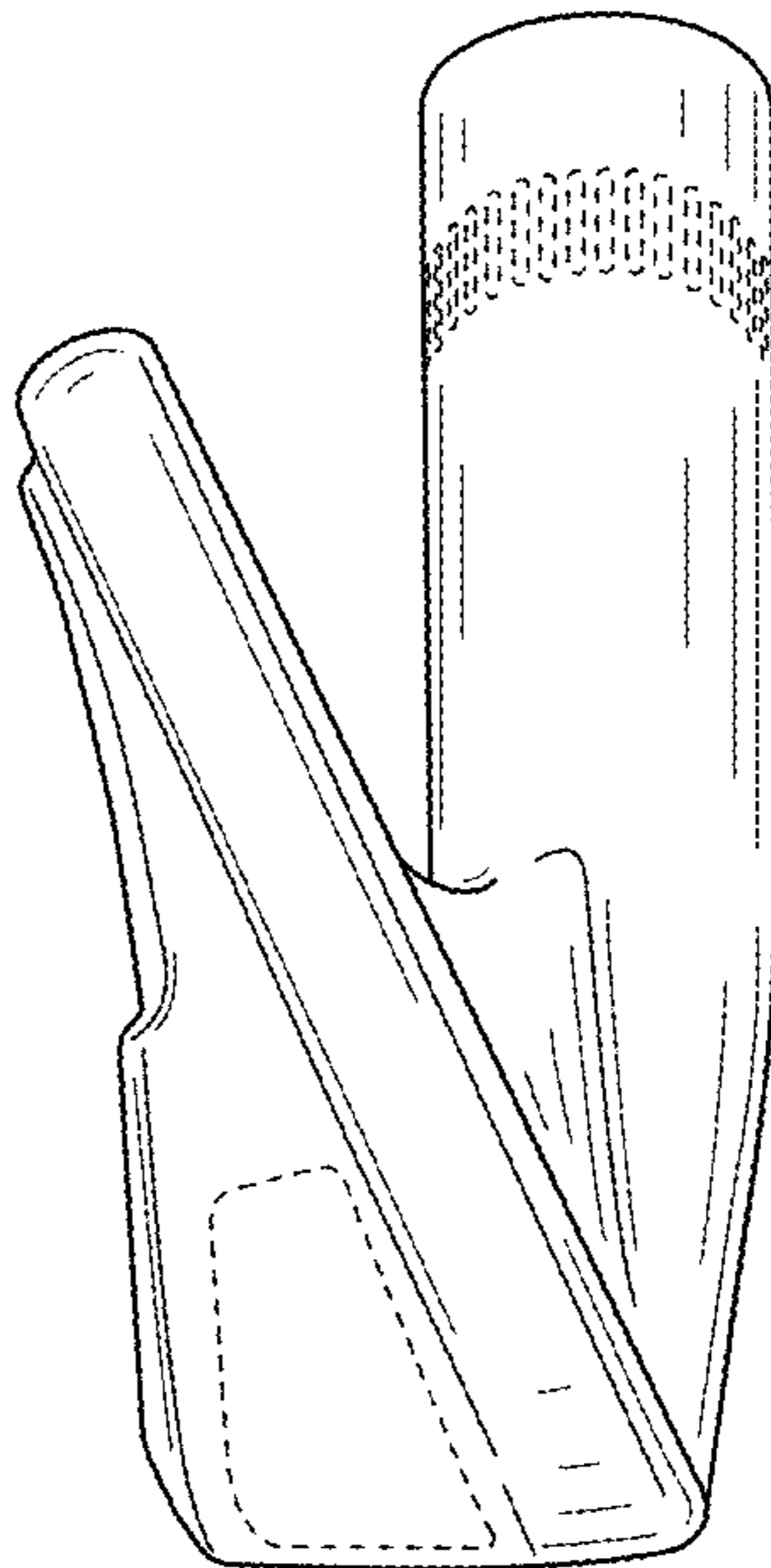


FIG. 5

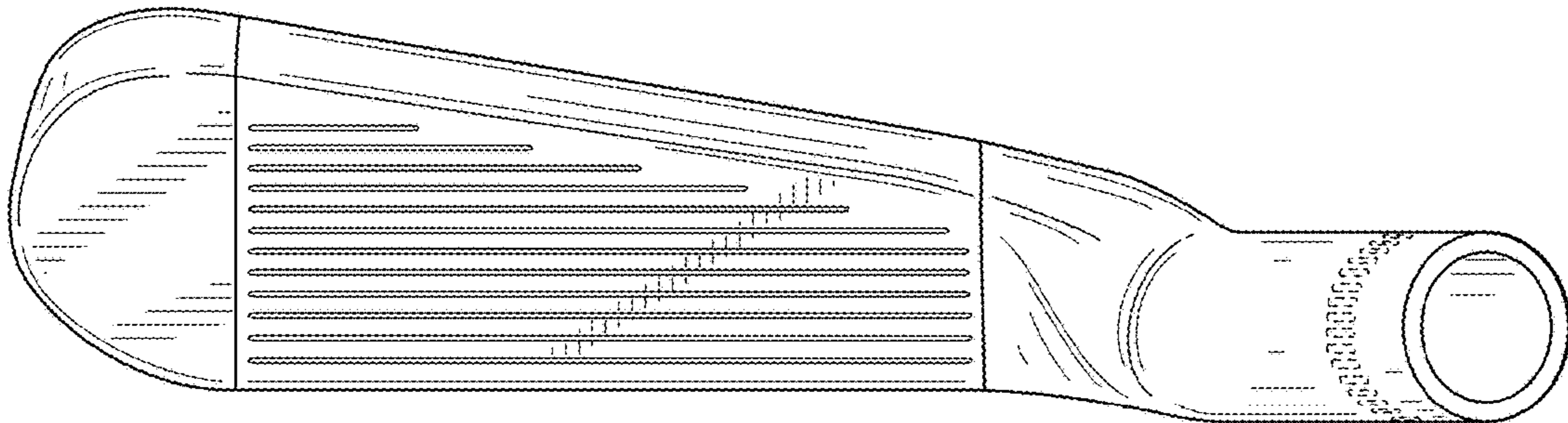


FIG. 6

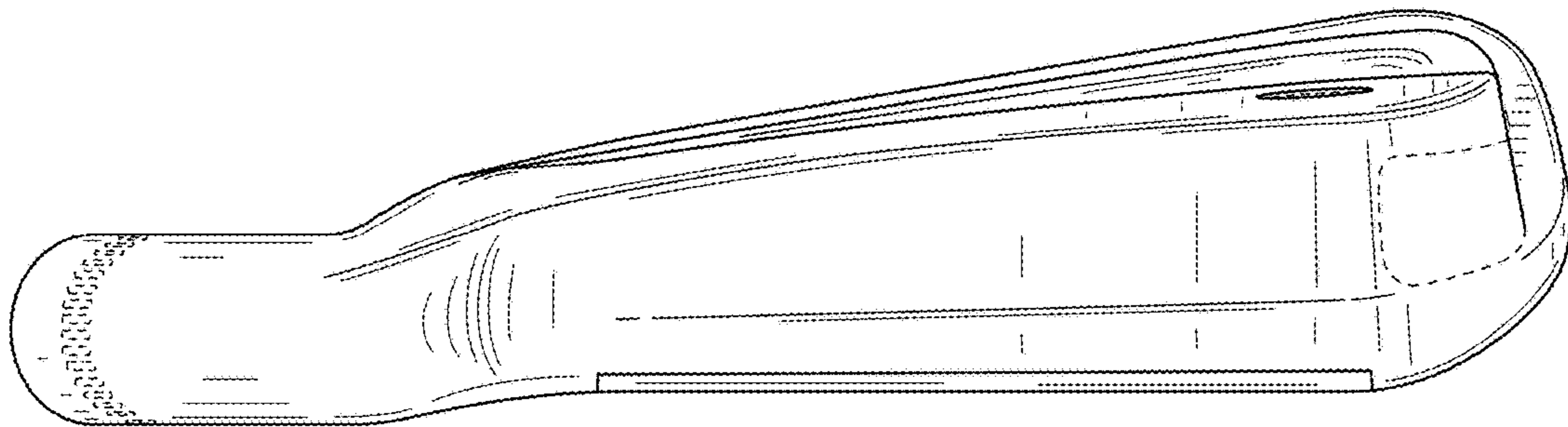


FIG. 7