



US00D788861S

(12) **United States Design Patent**  
**Campanaro et al.**

(10) **Patent No.:** **US D788,861 S**

(45) **Date of Patent:** **\*\* Jun. 6, 2017**

(54) **ROWING EXERCISE MACHINE**

22/001; A63B 23/0211; A63B 2208/0204;  
A63B 21/154

See application file for complete search history.

(71) Applicant: **Total Gym Global Corp.**, San Diego,  
CA (US)

(56) **References Cited**

(72) Inventors: **Thomas J. Campanaro**, Rancho Santa  
Fe, CA (US); **Jesse Thomas**  
**Campanaro**, San Diego, CA (US); **Dan**  
**McCutcheon**, San Diego, CA (US)

U.S. PATENT DOCUMENTS

D251,079 S \* 2/1979 Shugarman ..... D21/676  
4,346,886 A \* 8/1982 Cox ..... A63B 21/018  
482/120

(Continued)

(73) Assignee: **Total Gym Global Corp.**, San Diego,  
CA (US)

FOREIGN PATENT DOCUMENTS

TW D172925 1/2016

(\*\*) Term: **15 Years**

OTHER PUBLICATIONS

(21) Appl. No.: **29/542,858**

Single Arm Row Dynamic by Totalgym dated Mar. 4, 2016. Found  
online [Oct. 18, 2016] [https://www.youtube.com/  
watch?v=4CwzpAm89Yg](https://www.youtube.com/watch?v=4CwzpAm89Yg).\*

(22) Filed: **Oct. 19, 2015**

(Continued)

(51) **LOC (10) Cl.** ..... **21-02**

(52) **U.S. Cl.**

USPC ..... **D21/674**

(58) **Field of Classification Search**

USPC ..... D6/552; D21/686, 676, 687, 662, 674,  
D21/666, 673, 690, 679, 694, 691, 675,  
D21/688; 211/85.7; 206/579; 135/122;  
52/83, 27; 482/145, 23, 2, 72, 57, 62, 60,  
482/142, 104, 131, 96, 132, 135, 140,  
482/121, 130, 95, 92, 73, 144, 143, 907,  
482/128, 108, 908, 94, 106, 97, 123, 126,  
482/38, 41, 133, 137, 35, 101, 147, 115,  
482/138, 91, 70, 110, 52, 71, 8; 136/251;  
290/55; 114/264, 382; 472/128;  
606/241, 244; 108/4; 5/607, 624;  
601/242, 24, 23; 248/300; 29/428

CPC ..... A63B 21/0552; A63B 21/1492; A63B

*Primary Examiner* — Robert M Spear

*Assistant Examiner* — Ryan Harvey

(74) *Attorney, Agent, or Firm* — Procopio Cory  
Hargreaves and Savitch LLP; Stephen C. Beuerle

(57) **CLAIM**

The ornamental design for a rowing exercise machine, as  
shown and described.

**DESCRIPTION**

FIG. 1 is a perspective view of the rowing exercise machine;  
FIG. 2 is a right side elevational view of the rowing exercise  
machine;  
FIG. 3 is a left side elevational view of the rowing exercise  
machine;  
FIG. 4 is a front elevational view of the rowing exercise  
machine, the rear elevational view being a mirror image  
thereof;  
FIG. 5 is a top plan view of the rowing exercise machine;  
and,

(Continued)

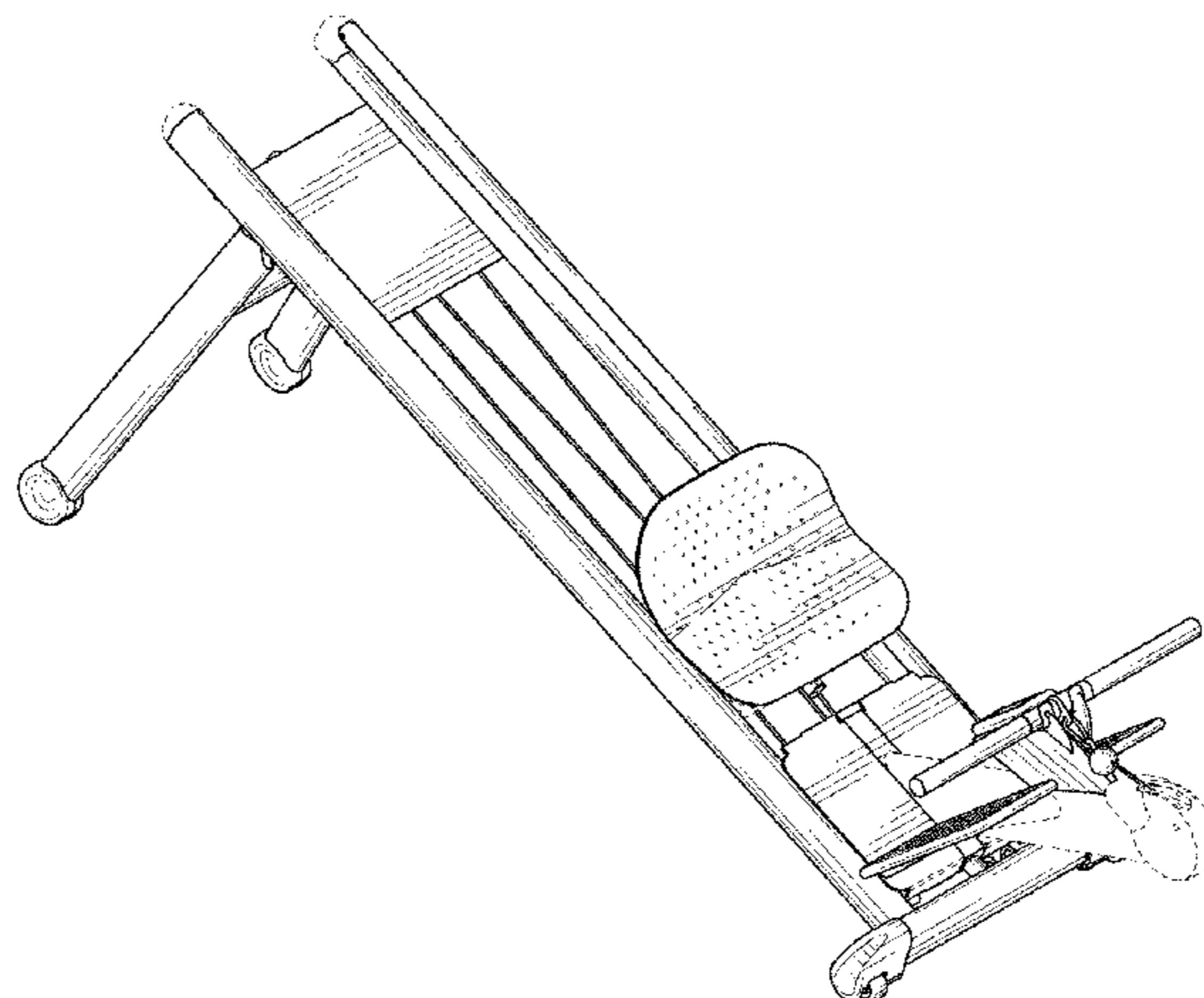


FIG. 6 is a bottom plan view of the rowing exercise machine. Any broken lines shown in FIGS. 1-6 are included for the purpose of illustrating environmental elements only and form no part of the claimed design.

**1 Claim, 4 Drawing Sheets**

(56)

**References Cited**

U.S. PATENT DOCUMENTS

D268,194 S \* 3/1983 Smith ..... 482/73  
 D268,278 S \* 3/1983 Smith ..... D21/674  
 D272,376 S \* 1/1984 Cunningham ..... D21/674  
 D277,304 S \* 1/1985 Smith ..... 482/73  
 D283,530 S \* 4/1986 Smith ..... D21/674  
 D284,597 S \* 7/1986 Smith ..... 482/134  
 D287,388 S \* 12/1986 Cheng ..... D21/674  
 D291,823 S \* 9/1987 Smith ..... D21/674  
 4,743,011 A 5/1988 Coffey  
 4,974,832 A \* 12/1990 Dalebout ..... A63B 21/4029  
 482/138  
 5,072,929 A 12/1991 Peterson et al.  
 D337,799 S \* 7/1993 Cutter ..... D21/666  
 5,295,931 A \* 3/1994 Dreibelbis ..... A63B 21/1609  
 482/125  
 D352,534 S \* 11/1994 Dreibelbis ..... D21/674  
 D362,283 S \* 9/1995 Lee ..... D21/674  
 D362,700 S \* 9/1995 Breibart ..... D21/673  
 D382,319 S \* 8/1997 Gerschefske ..... D21/674  
 5,833,256 A 11/1998 Gilmore  
 D405,132 S \* 2/1999 Westfall ..... D21/676  
 6,120,425 A 9/2000 Endelman  
 6,371,895 B1 4/2002 Endelman et al.  
 6,440,045 B1 8/2002 Gaston  
 D493,853 S \* 8/2004 Campanaro ..... D21/676  
 D556,274 S \* 11/2007 Morgan ..... D21/662  
 D608,401 S \* 1/2010 Campanaro ..... D21/662  
 D612,000 S \* 3/2010 Campanaro ..... D21/662

8,033,971 B2 10/2011 Campanaro et al.  
 8,075,457 B2 12/2011 Campanaro et al.  
 D659,205 S \* 5/2012 Endelman ..... D21/673  
 8,323,157 B2 12/2012 Campanaro et al.  
 D691,678 S \* 10/2013 Cardillo ..... D21/662  
 D694,347 S \* 11/2013 Campanaro ..... D21/676  
 D703,279 S \* 4/2014 Ho ..... D21/673  
 8,702,575 B2 4/2014 McVay et al.  
 D726,263 S \* 4/2015 Anderson ..... D21/676  
 D734,409 S \* 7/2015 Campanaro ..... D21/686  
 D741,420 S \* 10/2015 Campanaro ..... D21/674  
 D741,960 S \* 10/2015 Campanaro ..... D21/676  
 2001/0056011 A1 12/2001 Endelman et al.  
 2002/0013199 A1 \* 1/2002 Giannelli ..... A63B 21/068  
 482/95  
 2005/0070181 A1 3/2005 Bleicken  
 2006/0019806 A1 1/2006 Mikulski  
 2008/0280736 A1 11/2008 D'Eredita  
 2009/0163323 A1 6/2009 Bocchicchio  
 2010/0227748 A1 9/2010 Campanaro et al.  
 2011/0082015 A1 4/2011 Dreissigacker et al.  
 2012/0053028 A1 3/2012 Campanaro et al.  
 2014/0141948 A1 5/2014 Aronson et al.  
 2014/0194260 A1 7/2014 Campanaro et al.  
 2015/0246263 A1 \* 9/2015 Campanaro ..... A63B 23/03566  
 482/52  
 2016/0107023 A1 \* 4/2016 Campanaro ..... A63B 22/0087  
 482/72

OTHER PUBLICATIONS

International Search Report and Written Opinion for International Application No. PCT/US2015/055010 mailed on Dec. 14, 2015 in 12 pages.  
 First office action for Chinese patent application No. 201530107957.1 mailed on Jul. 17, 2017 in 1 page.  
 Examination Report for New Zealand Design Patent 421405 mailed on Apr. 19, 2016.  
 Examination Report for Taiwanese patent 105301645, date of completion of search Sep. 12, 2016.

\* cited by examiner

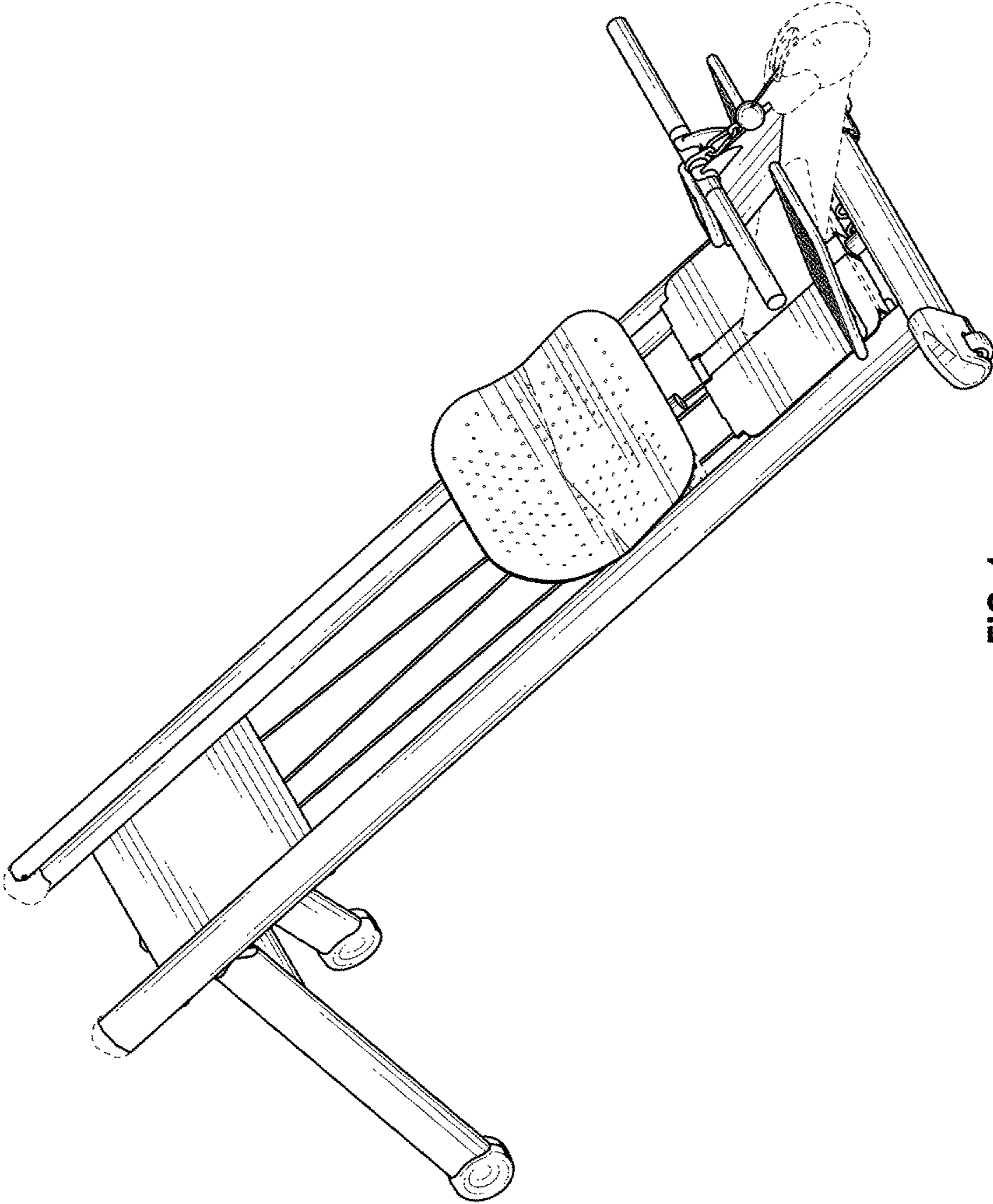


FIG. 1

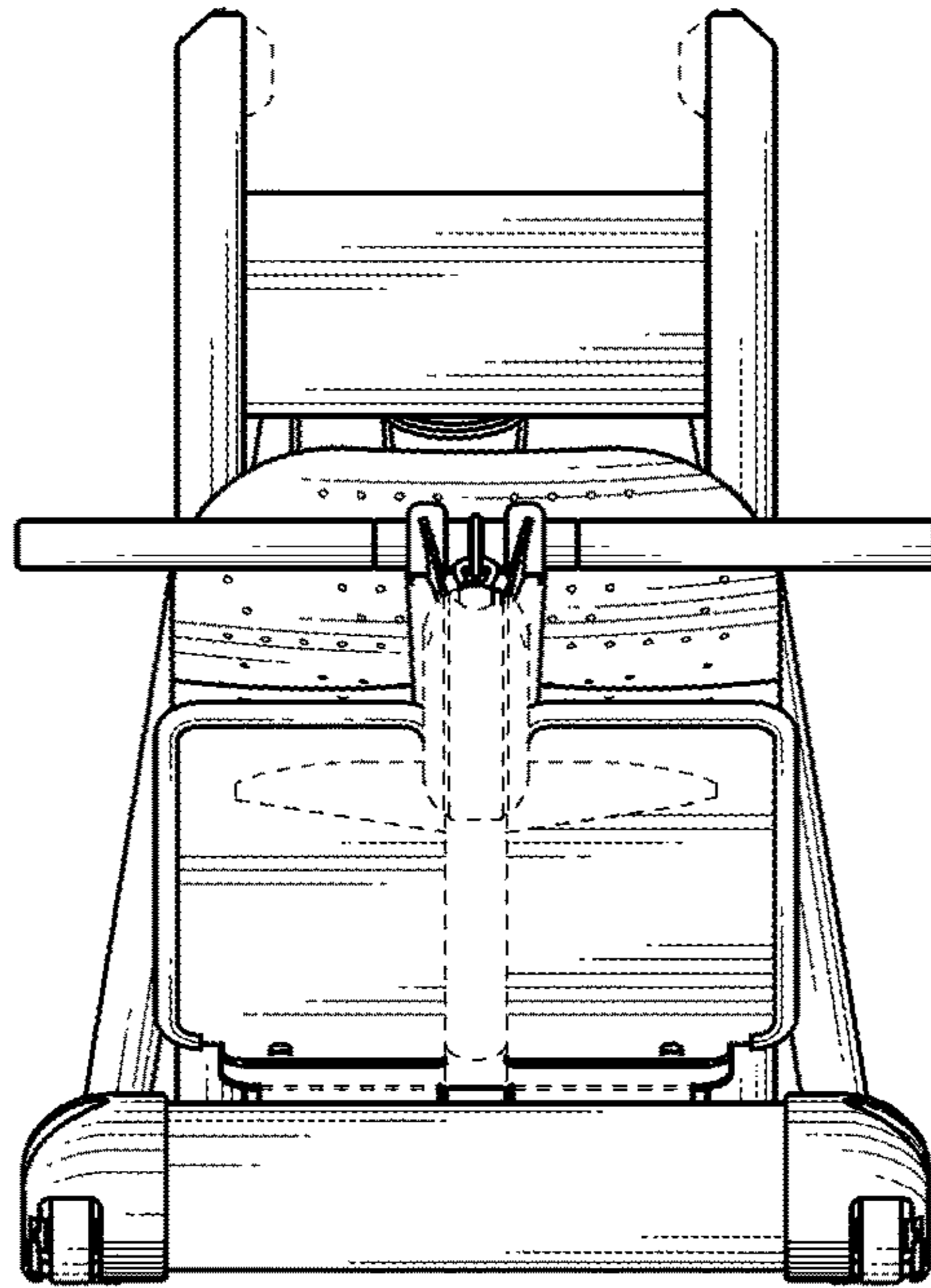


FIG. 2

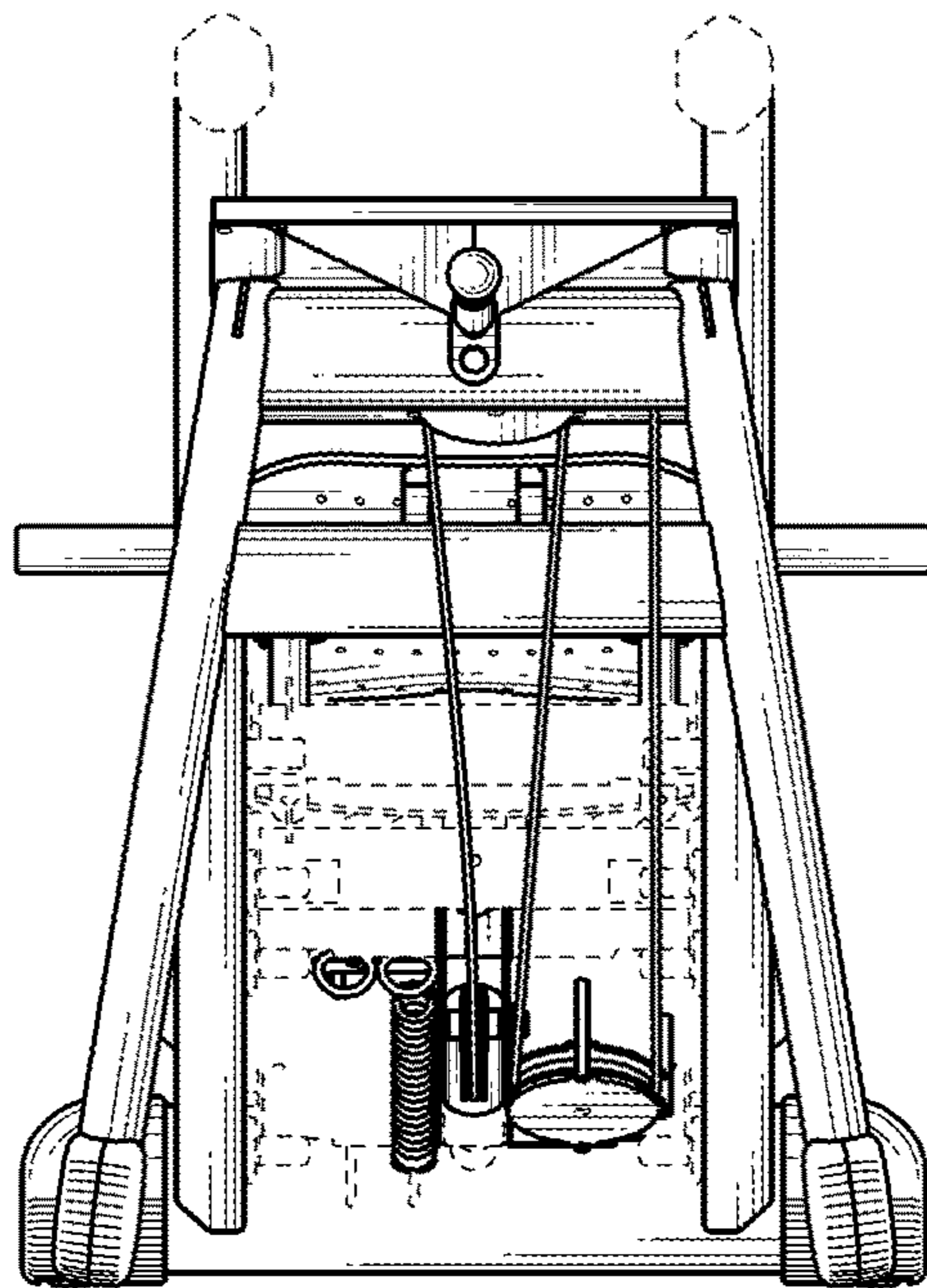


FIG. 3

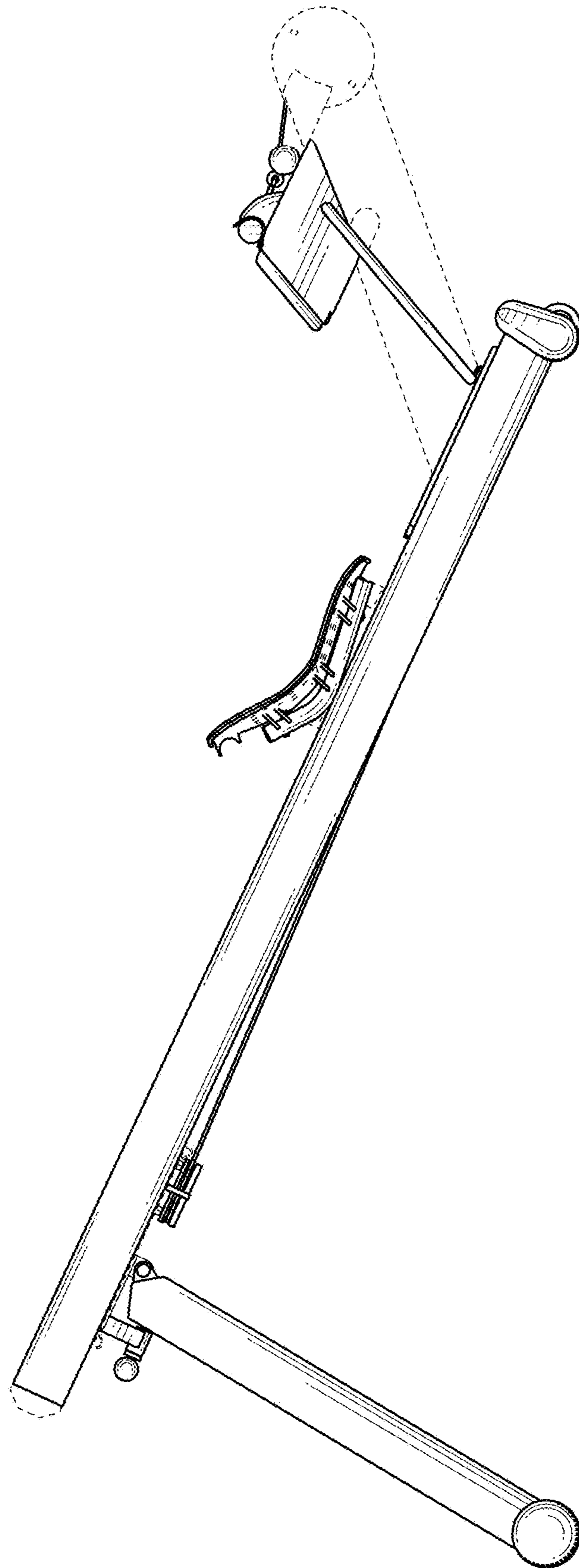


FIG. 4

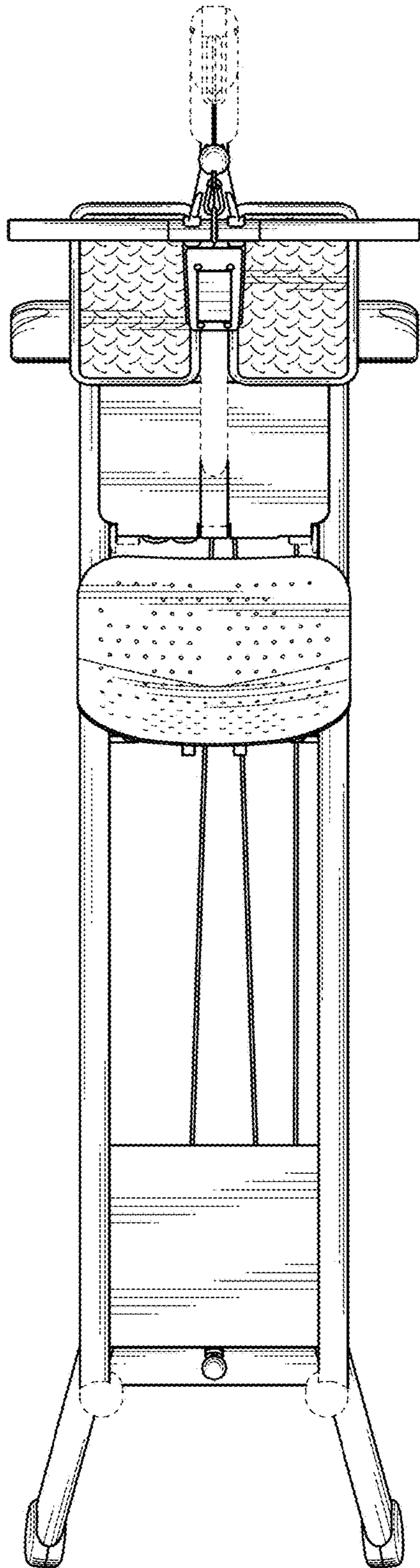


FIG. 5

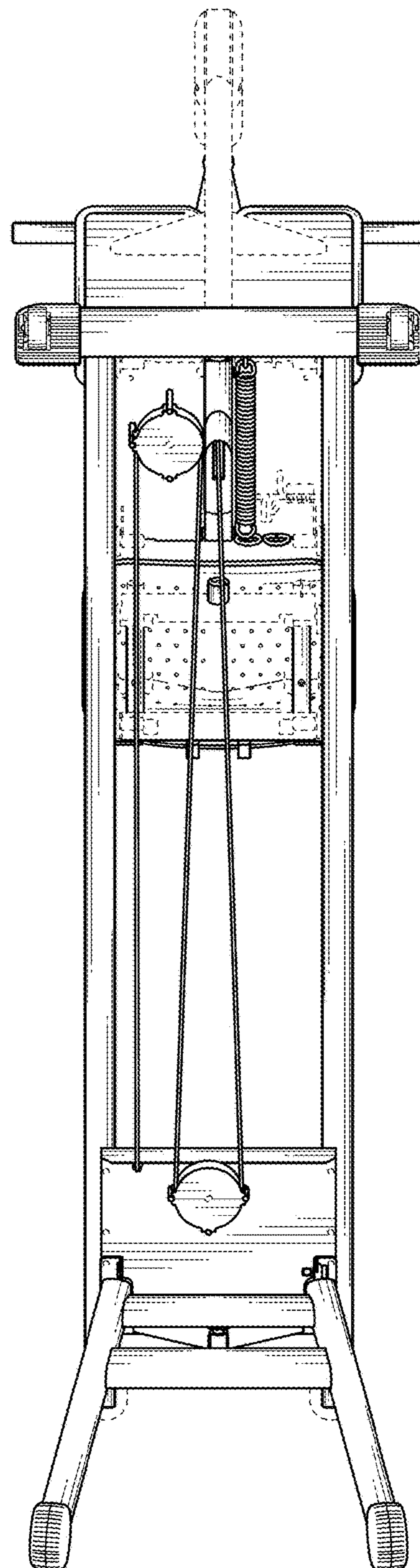


FIG. 6