



US00D788860S

(12) **United States Design Patent** (10) **Patent No.:** **US D788,860 S**
Kalogiros et al. (45) **Date of Patent:** **** Jun. 6, 2017**

(54) **GYMNASTICS AND SPORTS APPARATUS AND EQUIPMENT**

CPC A63B 69/16; A63B 21/0051; A63B 21/00192; A63B 21/225; A63B 2069/164; A63B 2069/165

(71) Applicant: **SBI MEDIA HOLDING SA**, Delemont, Jura (CH)

See application file for complete search history.

(72) Inventors: **James Dimitrios Kalogiros**, Melbourne (AU); **Peter Berlowitz**, Porepunkah (AU); **Fadi Yassmin**, Coogee (AU)

(56) **References Cited**

U.S. PATENT DOCUMENTS

(73) Assignee: **SBI Media Holding SA**, Delemont (CH)

D273,882 S * 5/1984 Bryne 482/59
D311,884 S * 11/1990 Kagayama D12/115
D742,978 S * 11/2015 Summers D21/686
D745,615 S * 12/2015 Ho D21/686
D773,566 S * 12/2016 Pierroz D21/664

(**) Term: **15 Years**

* cited by examiner

(21) Appl. No.: **35/500,564**

Primary Examiner — George D. Kirschbaum

(22) Filed: **Sep. 14, 2015**

(74) *Attorney, Agent, or Firm* — Nixon & Vanderhye P.C.

(80) **Hague Agreement Data**

(57) **CLAIM**

Int. Filing Date: **Sep. 14, 2015**

Int. Reg. No.: **DM/089080**

Int. Reg. Date: **Sep. 14, 2015**

Int. Reg. Pub. Date: **Feb. 5, 2016**

The ornamental design for gymnastics and sports apparatus and equipment, as shown and described.

DESCRIPTION

(30) **Foreign Application Priority Data**

Mar. 12, 2015 (EM) 2 652 081

(51) **LOC (10) Cl.** **21-00**

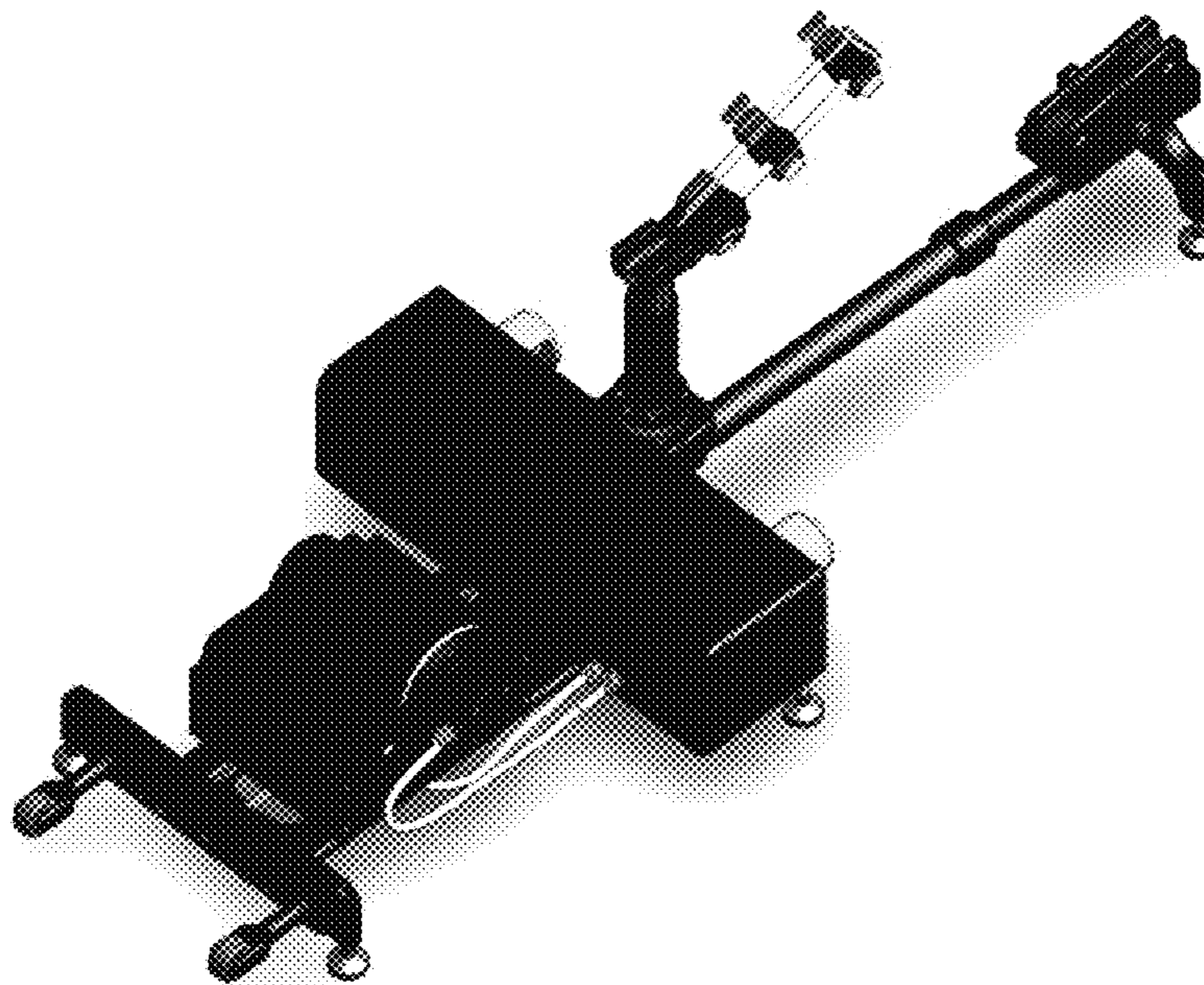
(52) **U.S. Cl.**
USPC **D21/664**

(58) **Field of Classification Search**
USPC D21/664, 686, 797

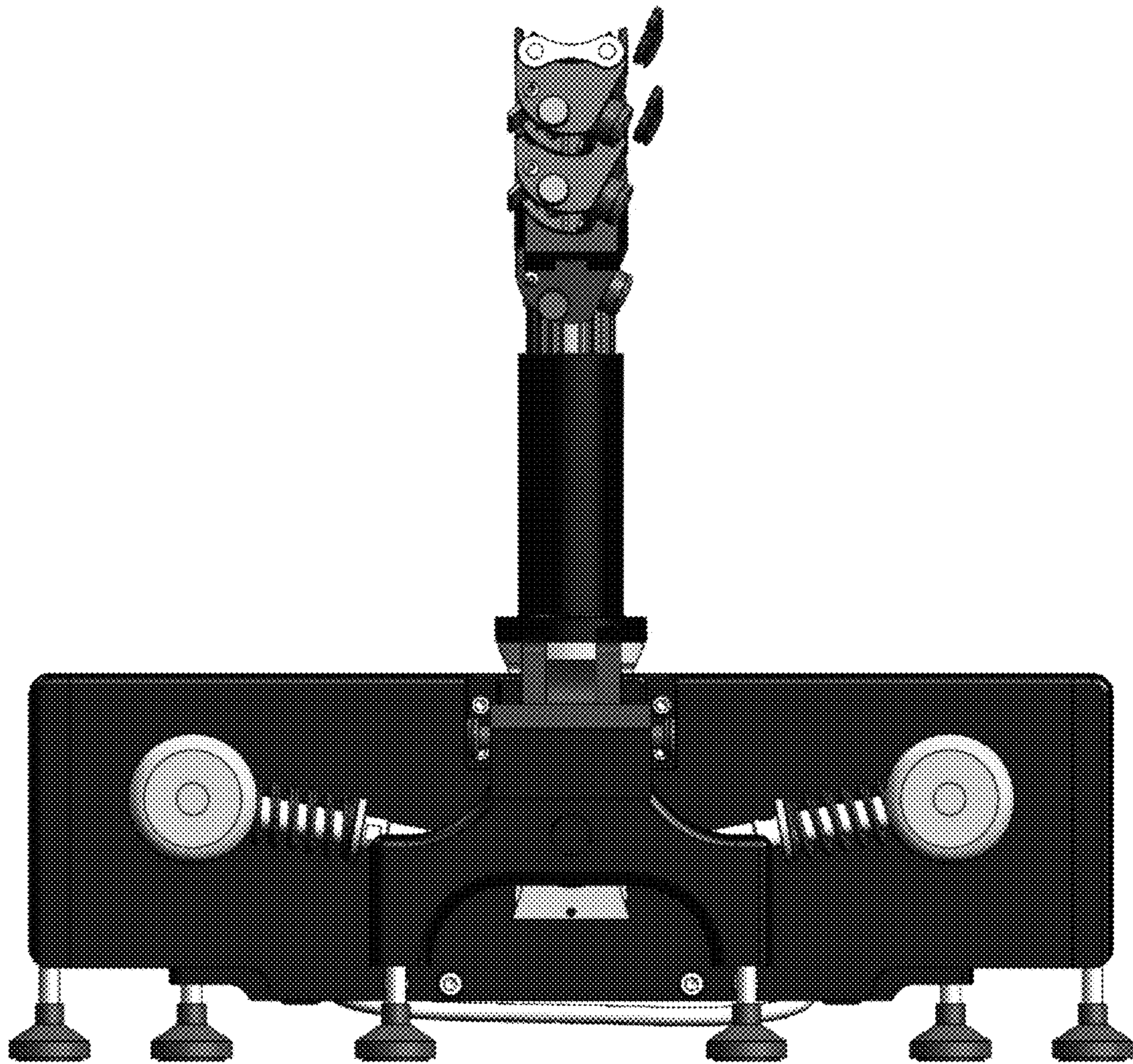
The patent or application file contains at least one drawing executed in color. Copies of this patent or patent application publication with color drawing(s) will be provided by the Office upon request and payment of the necessary fee.

1. Gymnastics and sports apparatus and equipment
 - 1.1 : Front
 - 1.2 : Perspective
 - 1.3 : Top
 - 1.4 : Perspective
 - 1.5 : Back

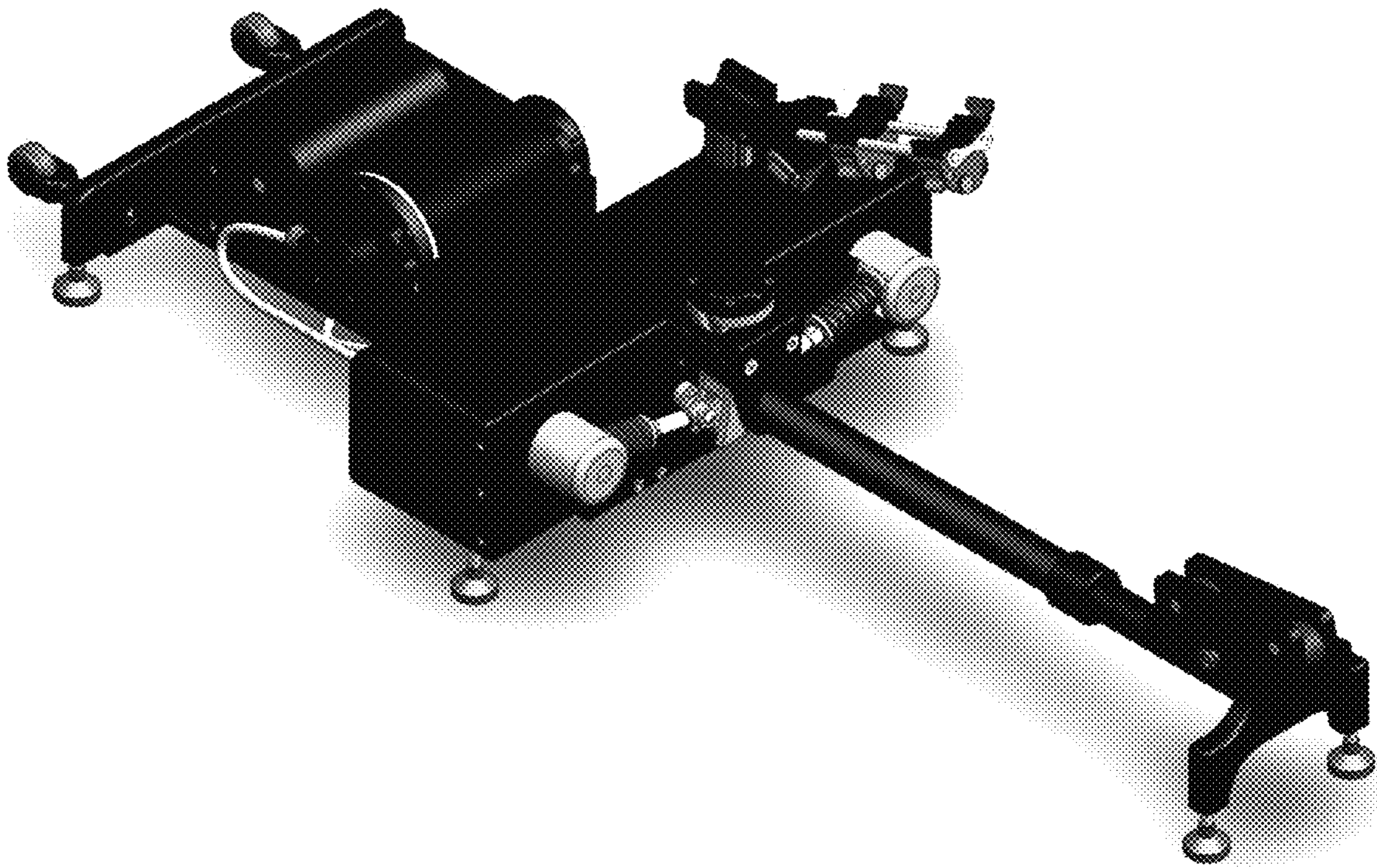
1 Claim, 5 Drawing Sheets
(5 of 5 Drawing Sheet(s) Filed in Color)



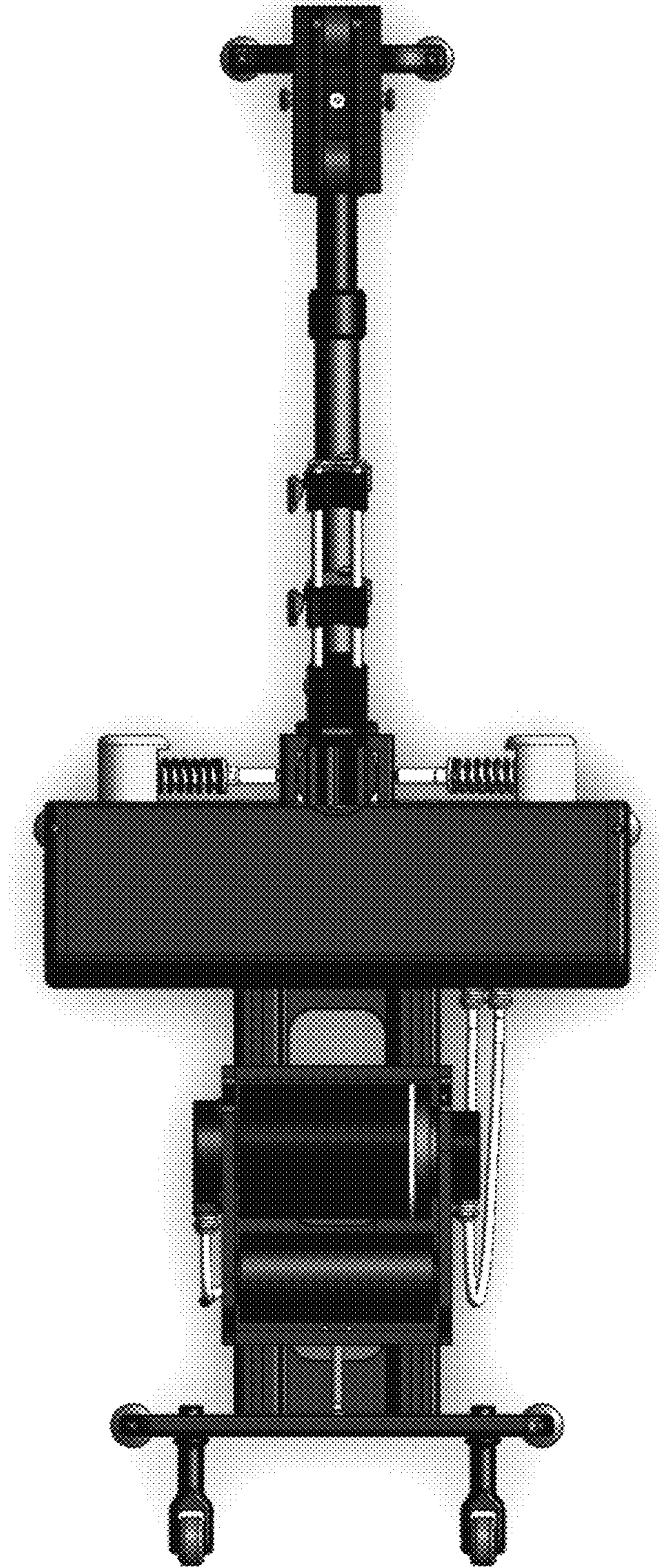
1.1



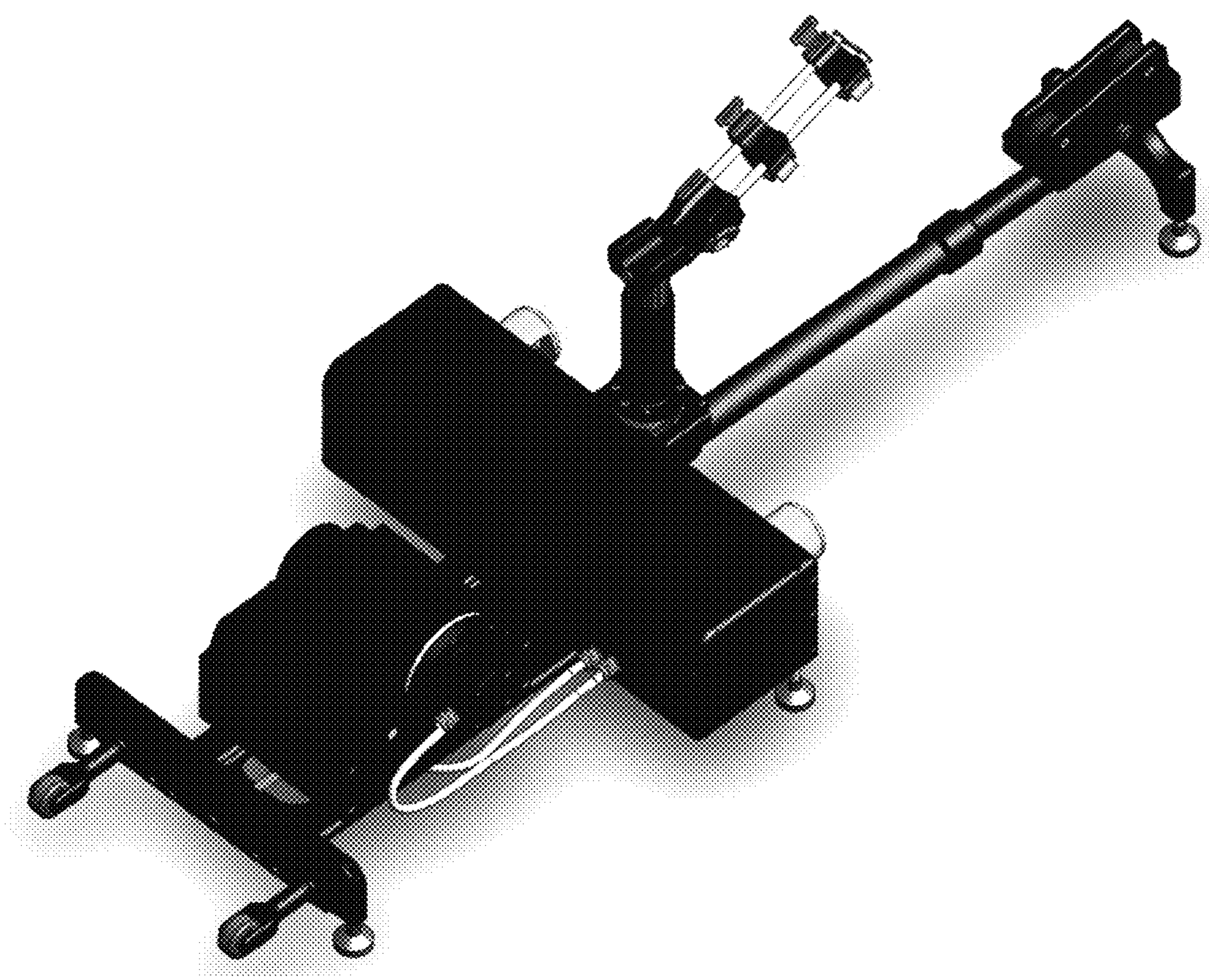
1.2



1.3



1.4



1.5

