



US00D788859S

(12) **United States Design Patent**
Virtusio

(10) **Patent No.:** **US D788,859 S**

(45) **Date of Patent:** **** Jun. 6, 2017**

(54) **EXERCISE BAND WITH TETHER**

(71) Applicant: **Arnulfo Salapare Virtusio**, Pomona, CA (US)

(72) Inventor: **Arnulfo Salapare Virtusio**, Pomona, CA (US)

(**) Term: **15 Years**

(21) Appl. No.: **29/547,774**

(22) Filed: **Dec. 8, 2015**

(51) **LOC (10) Cl.** **21-02**

(52) **U.S. Cl.**
USPC **D21/662**

(58) **Field of Classification Search**
USPC D21/662, 663, 665, 673, 682, 684, D21/692-94

CPC A63B 7/00; A63B 21/00; A63B 21/055
See application file for complete search history.

(56) **References Cited**

U.S. PATENT DOCUMENTS

1,884,392	A *	10/1932	Treat	A63B 21/0004
					482/126
3,362,722	A *	1/1968	Core	A63C 17/01
					152/327
4,204,674	A *	5/1980	Ogland	A63B 21/0023
					482/131
4,335,875	A *	6/1982	Elkin	A63B 69/0059
					482/131
D274,539	S *	7/1984	Bankier	D21/679
5,088,487	A *	2/1992	Turner	A61F 7/02
					607/108
5,167,602	A *	12/1992	Lehktman	A63B 21/0004
					482/131
5,295,949	A *	3/1994	Hathaway	A61F 5/055
					482/10
5,375,278	A *	12/1994	VanWinkle	A47C 20/021
					5/490
D368,501	S *	4/1996	Woodruff	D21/672

D380,050	S *	6/1997	Cappelli	D24/206
5,662,554	A *	9/1997	Schaefer	A63B 23/025
					119/833
5,681,248	A *	10/1997	Vani	A63B 21/0004
					482/10
D394,480	S *	5/1998	Heins	D21/692
D394,481	S *	5/1998	DeLisse	D21/694
5,857,948	A *	1/1999	Barnett	A63B 21/0004
					482/140
D432,384	S *	10/2000	Simons	D21/662

(Continued)

Primary Examiner — Caron D Veynar

Assistant Examiner — Mehri Bajoul

(74) *Attorney, Agent, or Firm* — Loza & Loza, LLP;
Heidi L. Eisenhut

(57) **CLAIM**

The ornamental design for an exercise band with tether, as shown and described.

DESCRIPTION

FIG. 1 is a front top left side perspective of an exercise band with tether of the present invention;

FIG. 2 is a front elevation view of the exercise band with tether of FIG. 1;

FIG. 3 is a rear elevation view of the exercise band with tether of FIG. 1;

FIG. 4 is a right side elevation view of the exercise band with tether of FIG. 1;

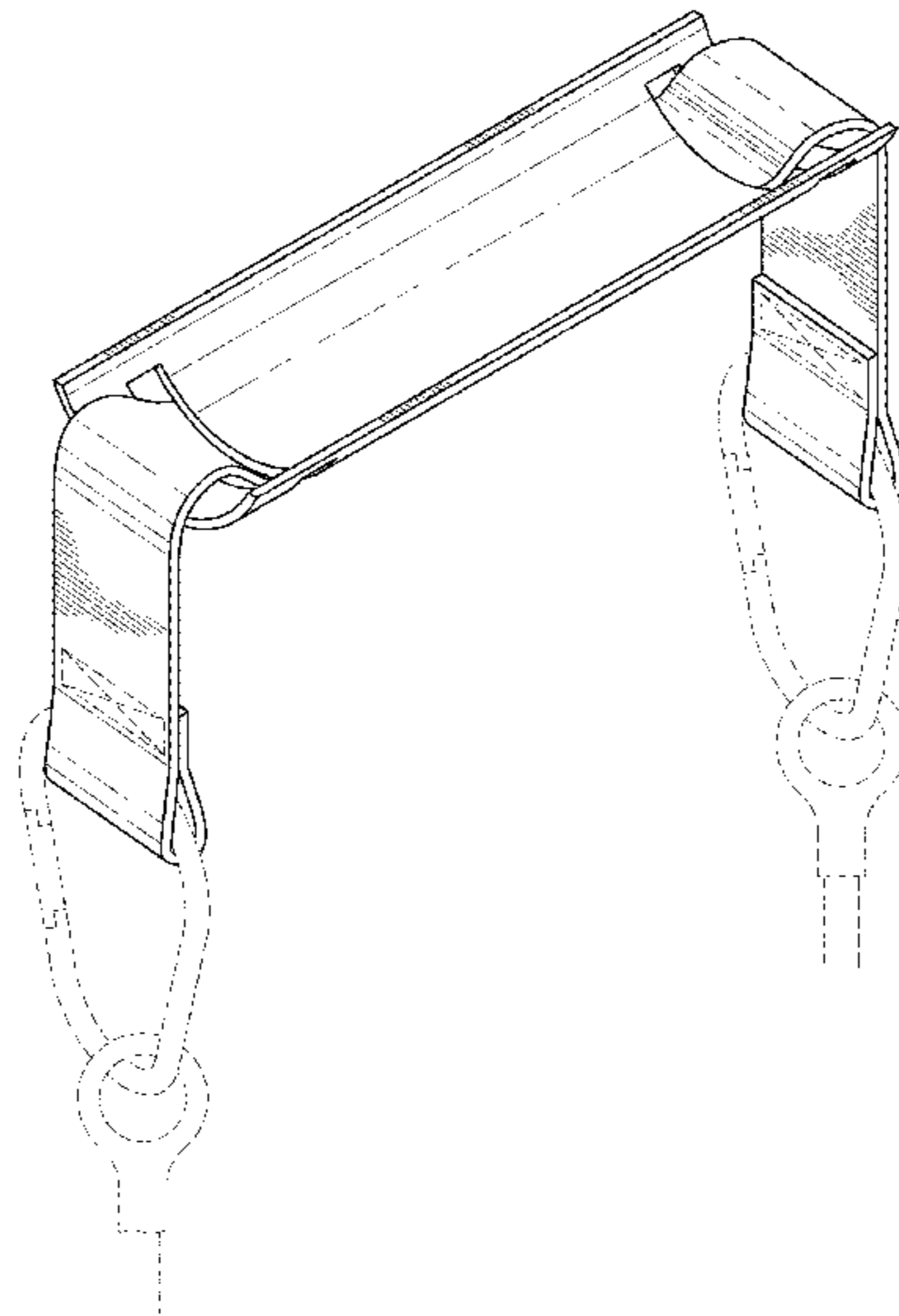
FIG. 5 is a left side elevation view of the exercise band with tether of FIG. 1;

FIG. 6 is a top plan view of the exercise band with tether of FIG. 1; and,

FIG. 7 is a bottom plan view of the exercise band with tether of FIG. 1.

In the drawings, the evenly broken lines represent stitching and forms part of the claimed design while all other broken lines directed to environmental subject matter only and form no part of the claimed design.

1 Claim, 4 Drawing Sheets



(56)

References Cited

U.S. PATENT DOCUMENTS

D438,577 S * 3/2001 Phillips D21/662
D441,413 S * 5/2001 Cataldi, Jr. D21/662
6,648,804 B2 * 11/2003 Chen A63B 21/0004
482/125
D516,638 S * 3/2006 Felberg D21/662
D556,333 S * 11/2007 Hoffman D24/200
D566,797 S * 4/2008 Yewdall D21/662
D595,418 S * 6/2009 Archer D24/206
7,766,805 B1 * 8/2010 Horne A63B 21/023
482/121
7,963,893 B1 * 6/2011 Cruz A63B 21/04
482/126
D666,256 S * 8/2012 Wine D21/662
D670,345 S * 11/2012 Guarrasi D21/662
D713,049 S * 9/2014 Shah D24/200
8,870,723 B2 * 10/2014 Morris A63B 7/00
482/121
D742,461 S * 11/2015 Baldwin D21/662

* cited by examiner

FIG. 1

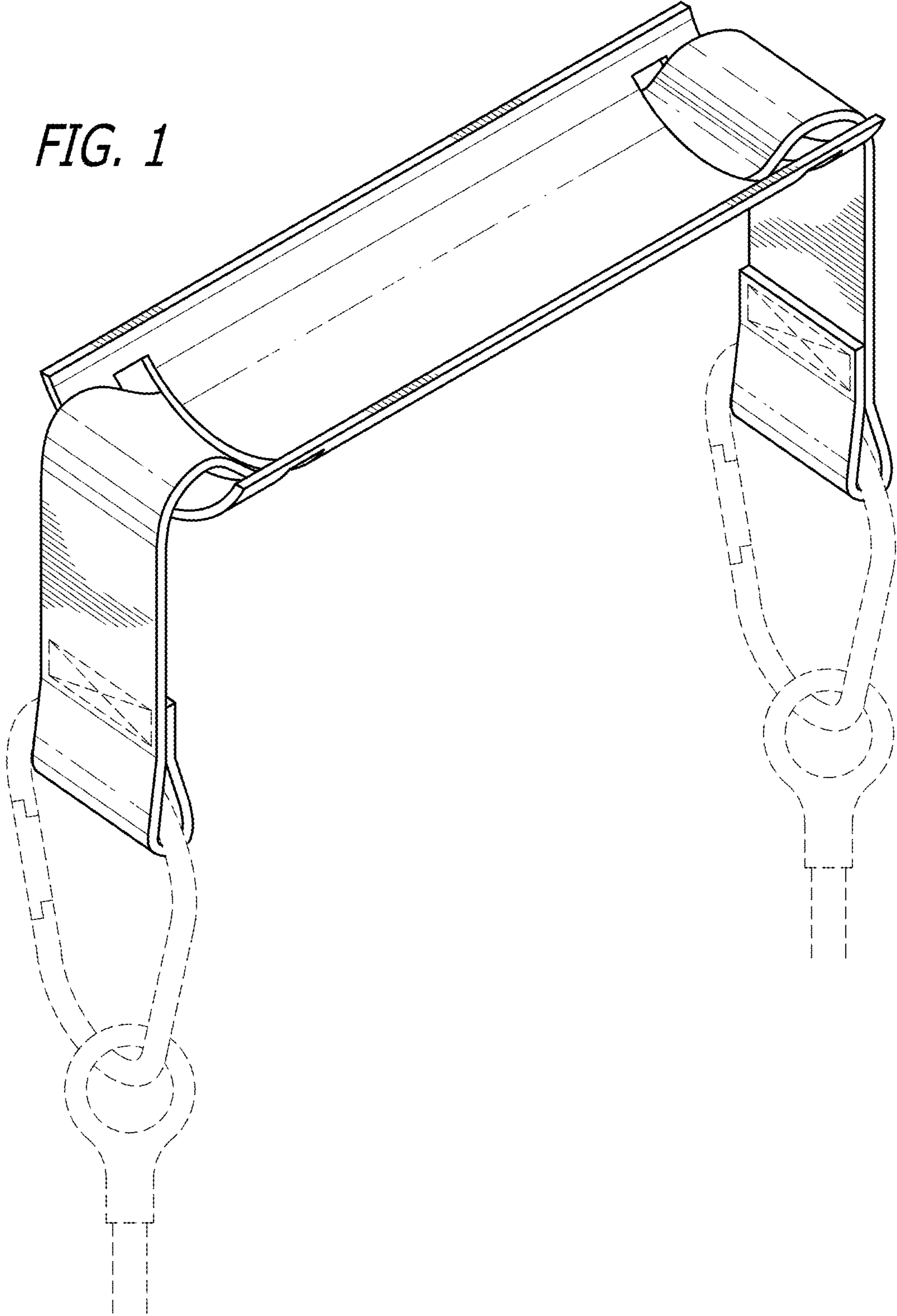


FIG. 2



FIG. 3



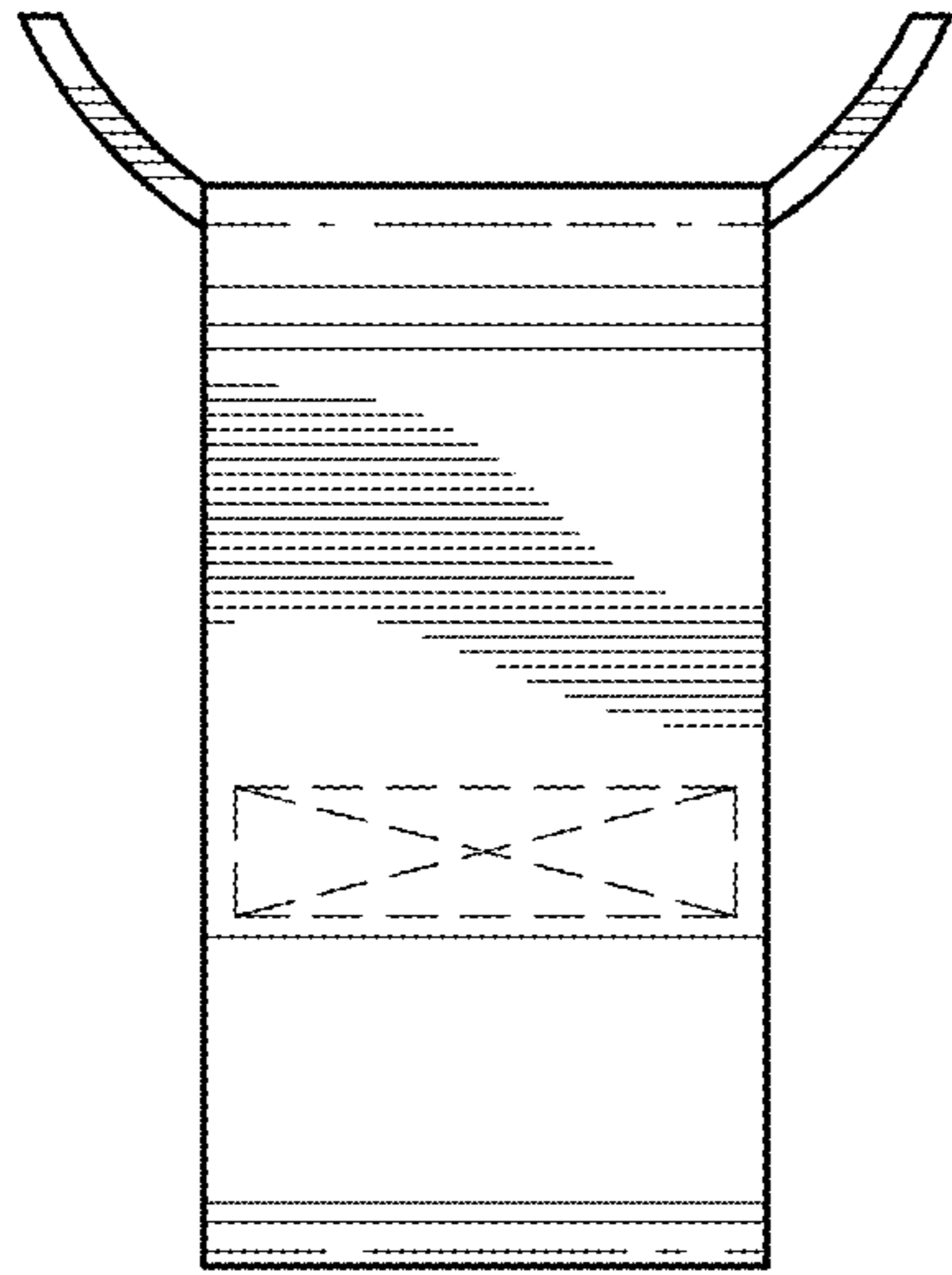


FIG. 4

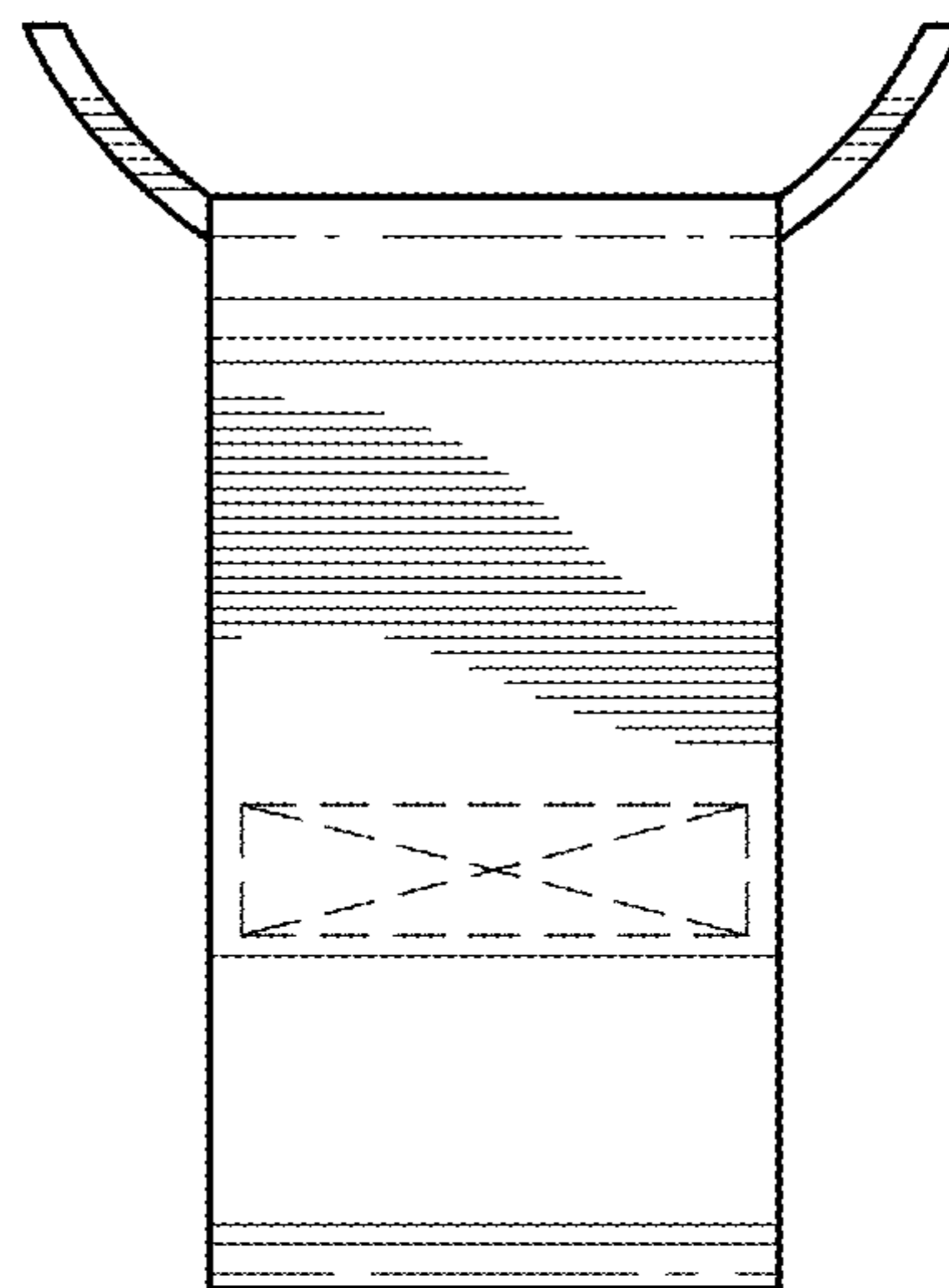


FIG. 5

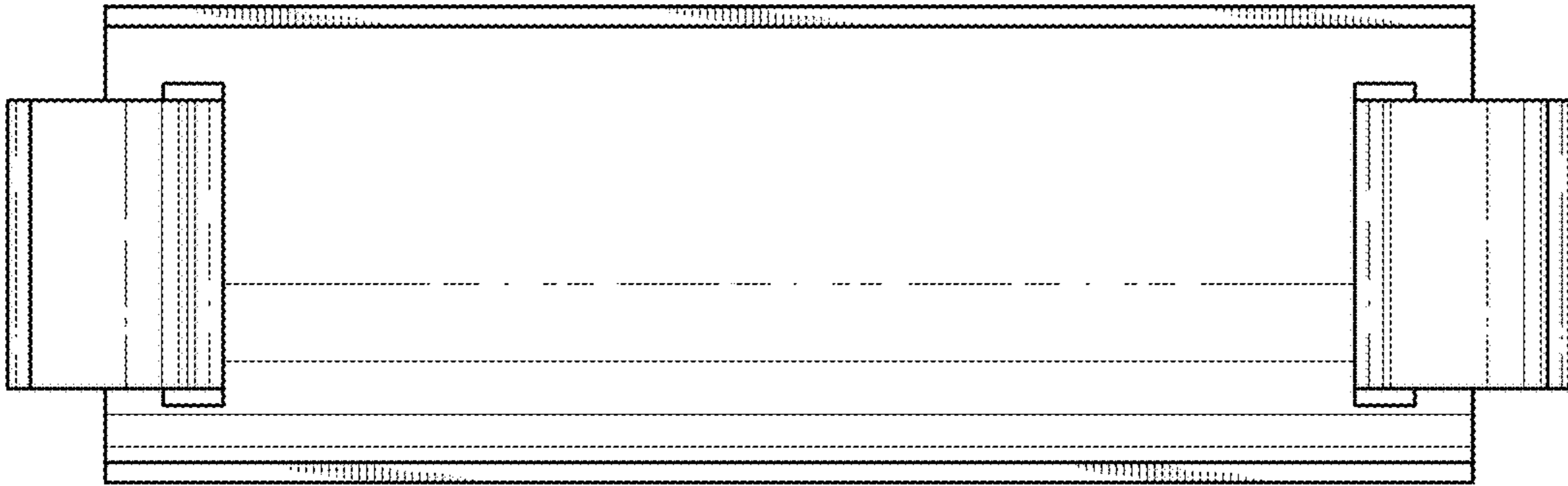


FIG. 6

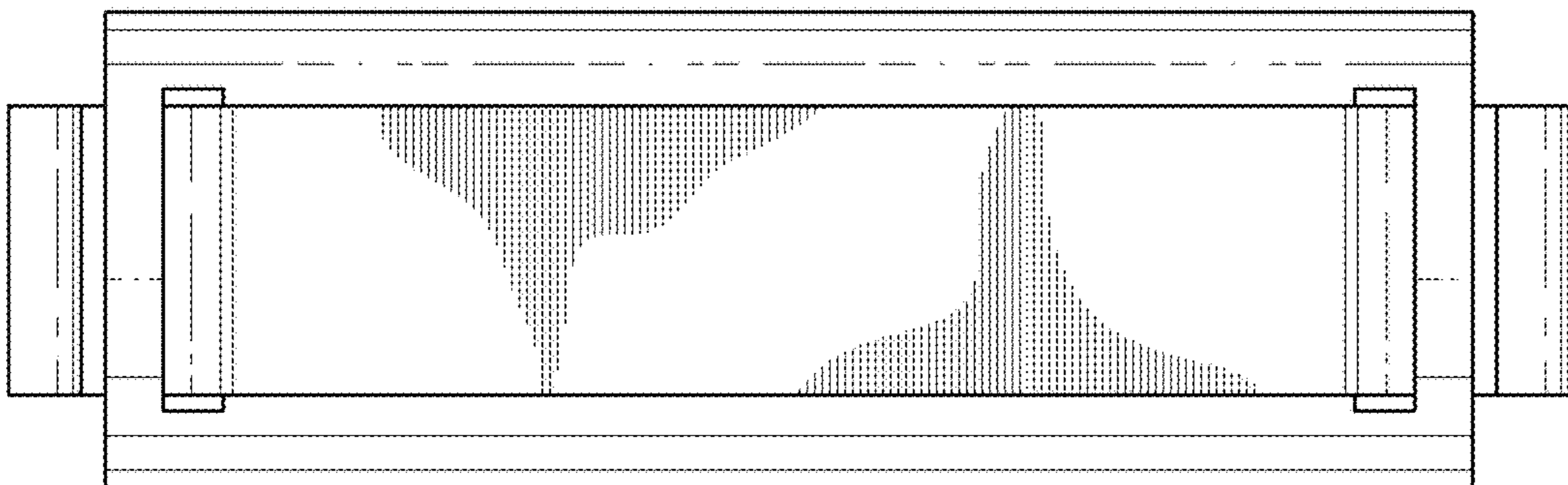


FIG. 7