



US00D788857S

(12) **United States Design Patent**
Gutierrez

(10) **Patent No.:** **US D788,857 S**

(45) **Date of Patent:** **** Jun. 6, 2017**

(54) **LINKING PIECE**

(71) Applicant: **Strottman International, Inc.**, Irvine, CA (US)

(72) Inventor: **German Gutierrez**, Irvine, CA (US)

(73) Assignee: **Strottman International, Inc.**, Irvine, CA (US)

(**) Term: **15 Years**

(21) Appl. No.: **29/539,808**

(22) Filed: **Sep. 17, 2015**

(51) **LOC (10) Cl.** **21-01**

(52) **U.S. Cl.**
USPC **D21/488; D21/492**

(58) **Field of Classification Search**
USPC D21/390, 362, 468, 471, 474-475, D21/483-491
CPC A63H 33/06; A63H 33/08; A63H 33/101
See application file for complete search history.

(56) **References Cited**

U.S. PATENT DOCUMENTS

2,984,935	A *	5/1961	Beck	A63H 33/06
					446/114
3,177,611	A *	4/1965	Beck	A63H 33/06
					446/114
D240,953	S *	8/1976	Simonsen et al.	D21/488
5,030,103	A *	7/1991	Buist	G09B 23/26
					434/278

D347,453	S *	5/1994	Pronsato	D21/488
D398,337	S *	9/1998	LaPointe	D21/484
5,833,512	A *	11/1998	Nicola	A63H 33/08
					446/114
6,149,487	A *	11/2000	Peng	A63H 33/08
					446/108
D692,069	S *	10/2013	Blair	D21/396
9,220,994	B2 *	12/2015	Murphy	A63H 33/105
D751,151	S *	3/2016	Bromfield	D21/488

* cited by examiner

Primary Examiner — Cynthia M Chin

(74) *Attorney, Agent, or Firm* — Mei & Mark LLP

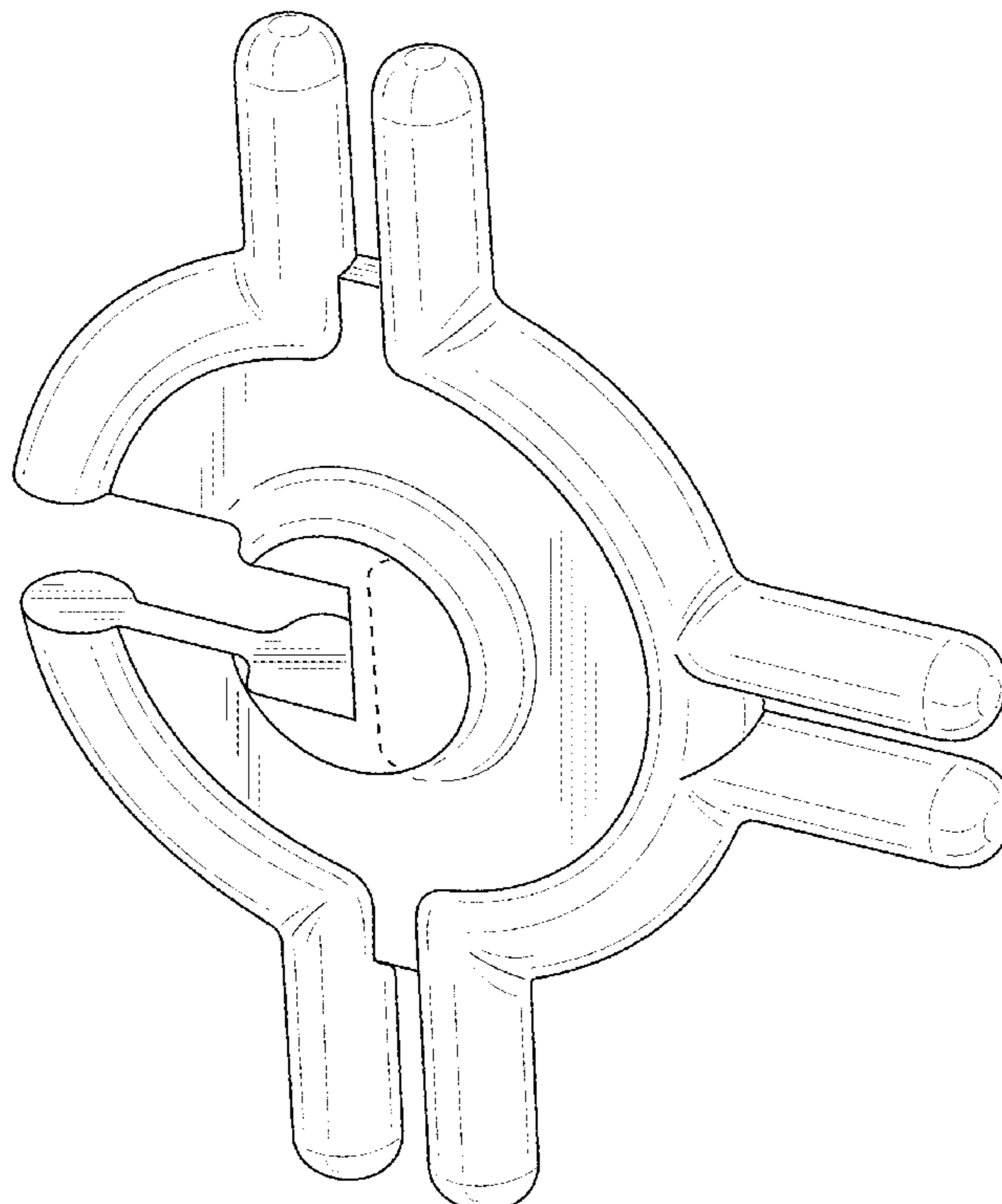
(57) **CLAIM**

The ornamental design for linking pieces, as shown and described.

DESCRIPTION

FIG. 1 is a perspective view of a linking piece showing our new design;
FIG. 2 is a top plan view thereof;
FIG. 3 is a bottom plan view thereof;
FIG. 4 is a left side elevational view thereof;
FIG. 5 is a right side elevational view thereof;
FIG. 6 is a front side elevational view thereof; and,
FIG. 7 is a rear side elevational view thereof.
The broken lines shown are included for the purpose of illustrating portions of the linking piece which form no part of the claimed design.

1 Claim, 7 Drawing Sheets



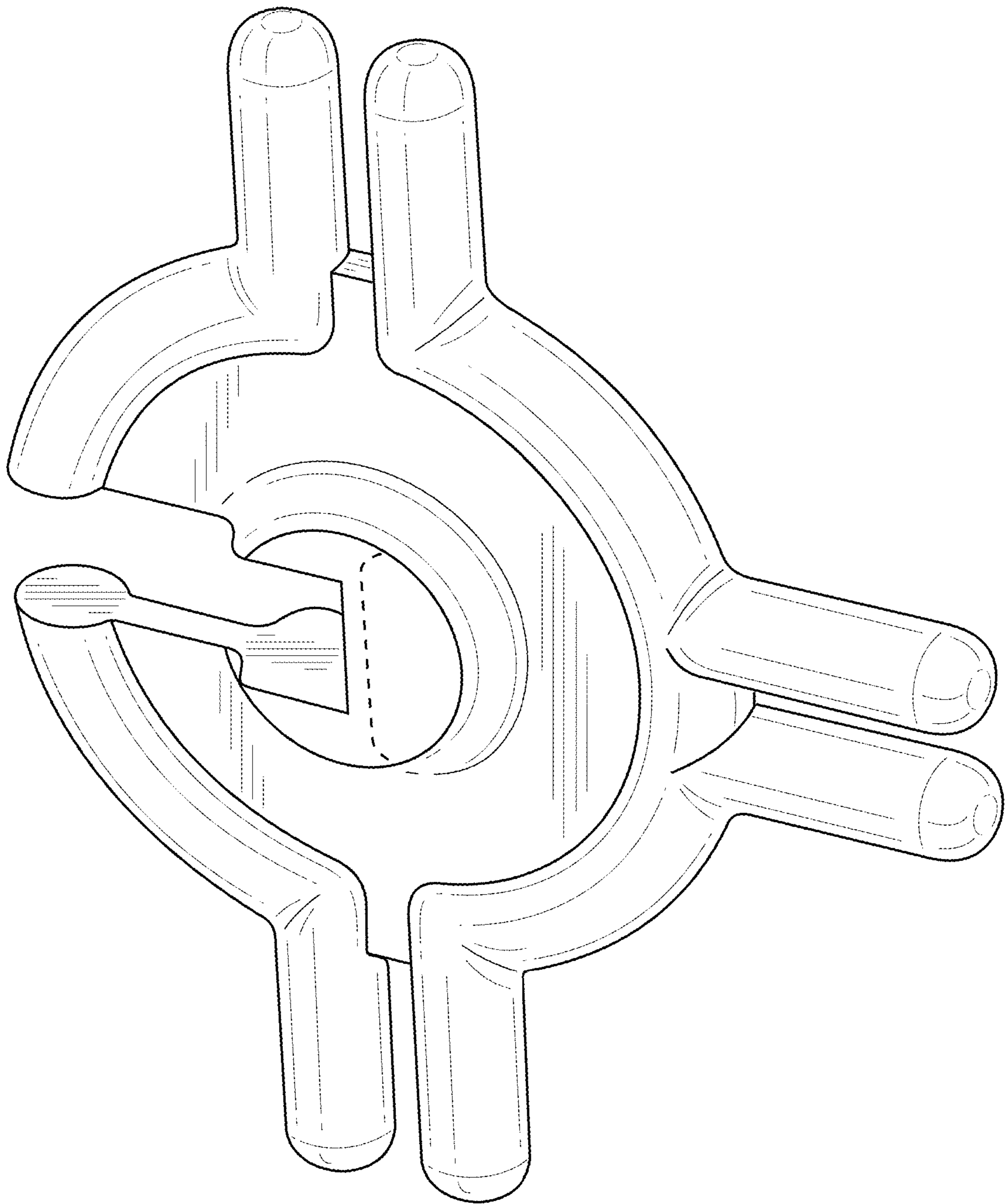


FIG. 1

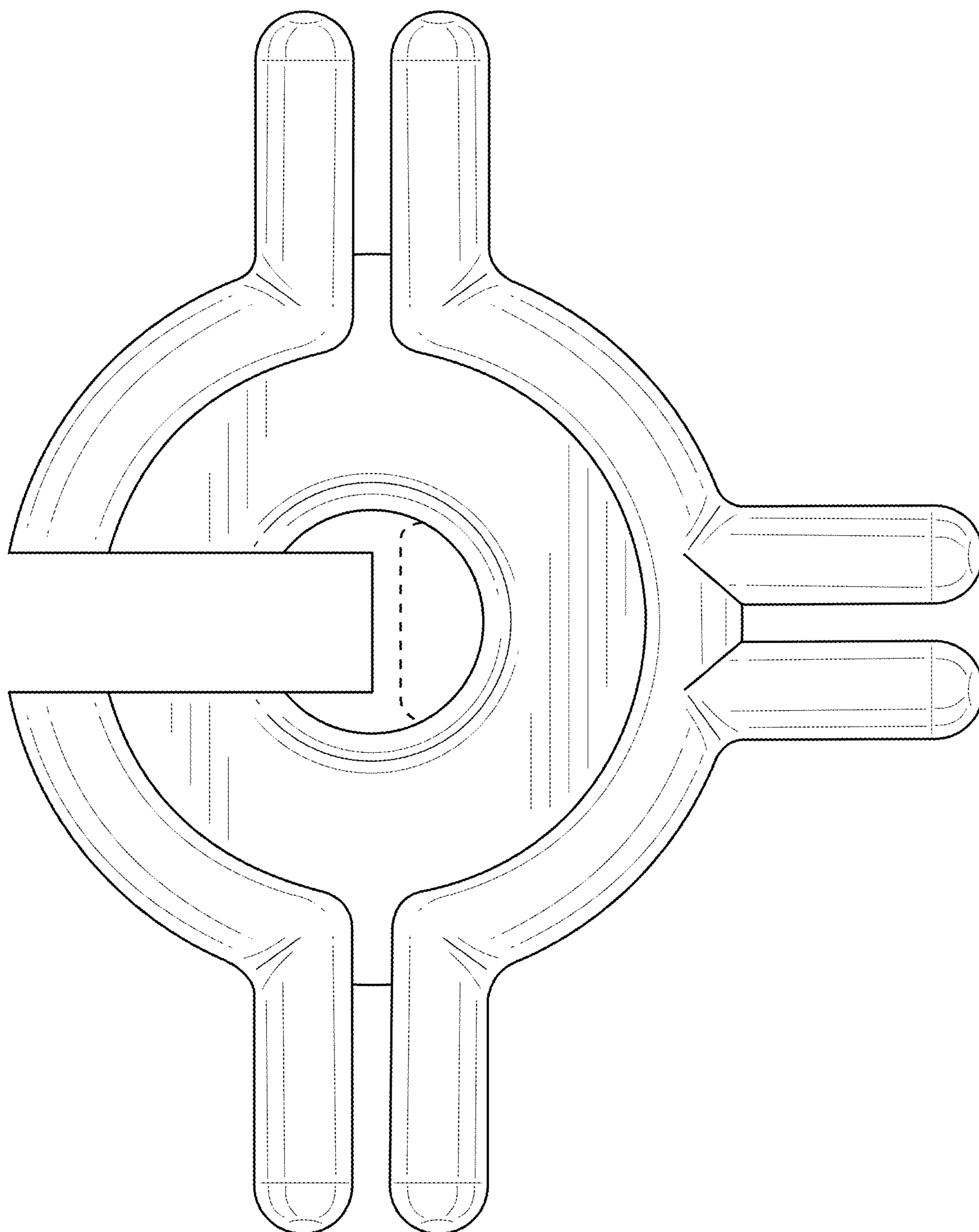


FIG. 2

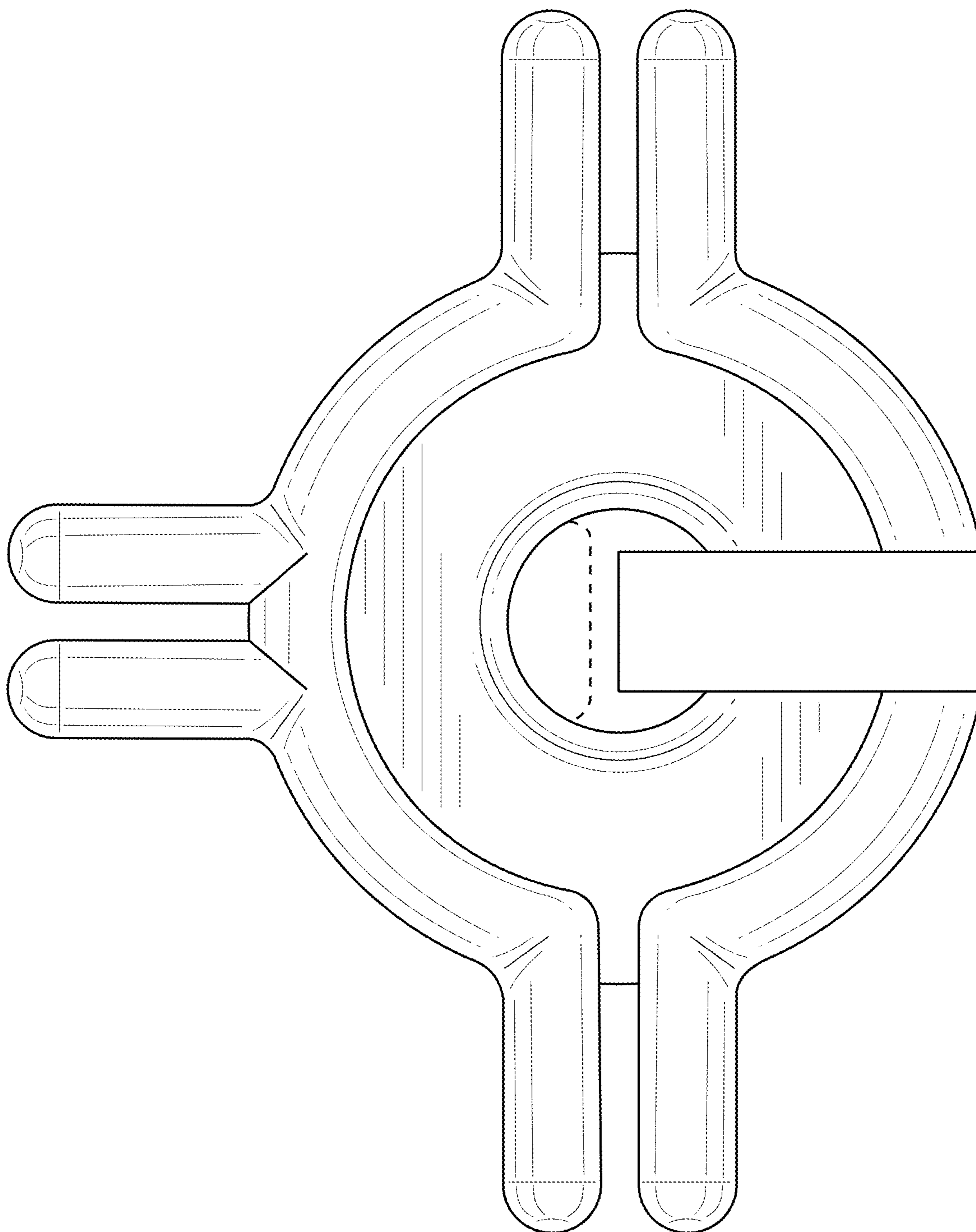


FIG. 3

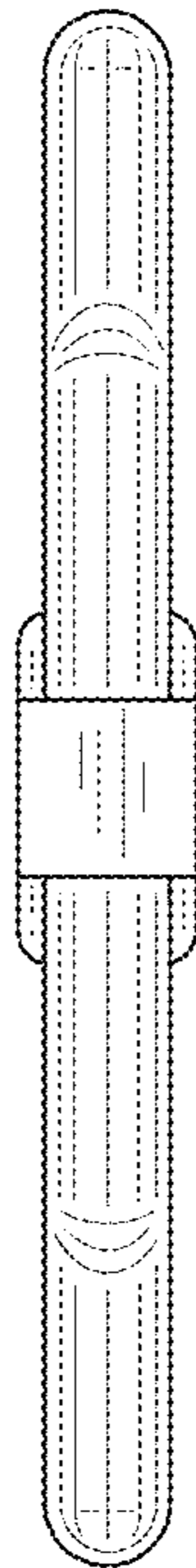


FIG. 4



FIG. 5

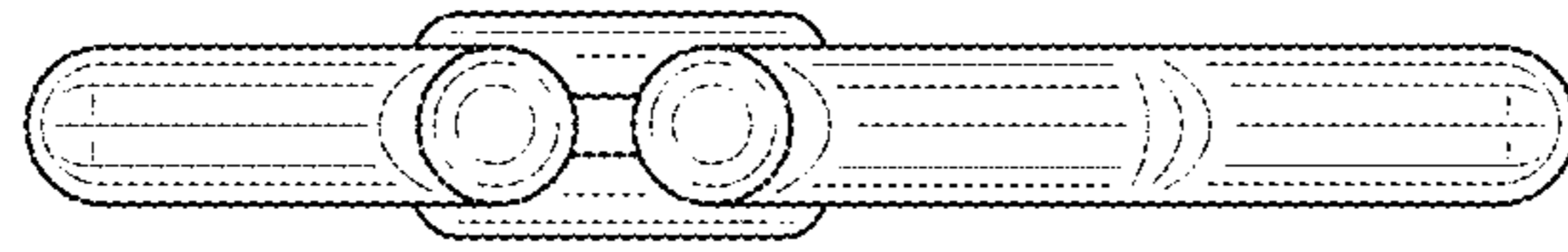


FIG. 6

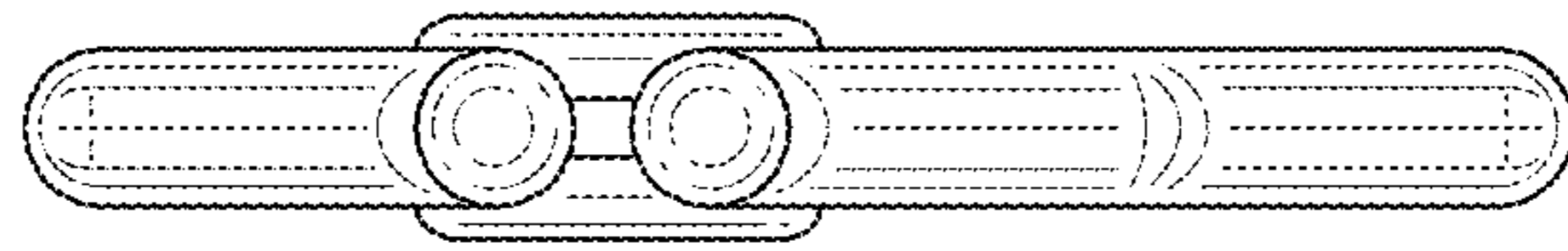


FIG. 7