



US00D788856S

(12) **United States Design Patent**  
**Jung**

(10) **Patent No.:** **US D788,856 S**

(45) **Date of Patent:** **\*\* Jun. 6, 2017**

(54) **ADJUSTABLE SAND MOLD TOY**

7/10; B28B 7/30; B28B 7/306; B28B  
7/348; B28B 7/364

(71) Applicant: **Kurt Jung**, Pompton Plains, NJ (US)

See application file for complete search history.

(72) Inventor: **Kurt Jung**, Pompton Plains, NJ (US)

(56) **References Cited**

(\*\*) Term: **15 Years**

U.S. PATENT DOCUMENTS

(21) Appl. No.: **29/549,410**

901,209	A *	10/1908	Sullivan	.....	E04G 13/00 249/205
1,330,197	A *	2/1920	Leland	.....	A63H 33/001 249/168
1,454,502	A *	5/1923	Bosco	.....	E04G 13/02 24/19
1,610,121	A	12/1926	Dickinson		
1,639,934	A	8/1927	Ferring		
1,886,486	A *	9/1931	Le Ganger	.....	A63H 33/001 249/104
2,309,579	A *	1/1943	Duran	.....	A63H 33/001 249/119
D164,494	S *	9/1951	Hines	.....	164/394

(22) Filed: **Dec. 22, 2015**

(51) **LOC (10) Cl.** ..... **21-01**

(52) **U.S. Cl.**

USPC ..... **D21/472**

(58) **Field of Classification Search**

USPC ..... D21/302, 303, 471, 472, 489-494,  
D21/499-501, 699, 704, 716; D15/135,  
D15/136; D3/304, 305, 314, 318, 319,  
D3/321, 322, 328; D6/331, 332;  
D7/354, 624.2, 625, 633, 634, 672, 674,  
D7/675, 677; D8/394, 395; D9/600,  
D9/631, 711, 721, 739, 751, 754, 755,  
D9/517, 414, 432, 434, 444, 455;  
D11/130, 130.1, 149, 155, 164;  
D25/38.1, 40, 48.4, 48.8; D30/108;  
D32/37; D34/1, 5, 6; 446/70, 85, 86,  
446/119, 122, 487, 488, 490; 249/48,  
249/159, 160-171, 172-174, 178, 180,  
249/184, 186, 189-197, 219.1, 118, 119,  
249/124, 125, 155; 472/126

CPC ..... A63H 33/001; A63H 33/32; E04G 13/02;  
E04G 13/021; E04G 9/008; E04G 9/10;  
Y10S 425/057; Y10S 249/04; B28B  
2007/005; B28B 2007/0052; B28B  
7/0038; B28B 7/0044; B28B 7/0073;  
B28B 7/0079; B28B 7/0091; B28B  
7/0094; B28B 7/02; B28B 7/06; B28B

FOREIGN PATENT DOCUMENTS

FR	2844724	A1 *	3/2004	.....	A63H 33/32
WO	WO0149387		7/2001		

(Continued)

*Primary Examiner* — Catherine Tuttle

(74) *Attorney, Agent, or Firm* — Goldstein Law Offices,  
P.C.

(57) **CLAIM**

The ornamental design for an adjustable sand mold toy, as shown and described.

**DESCRIPTION**

FIG. 1 is a first perspective view of the adjustable sand mold toy showing my new design.

FIG. 2 is a top plan view of the adjustable sand mold toy.

FIG. 3 is a bottom plan view thereof.

FIG. 4 is a front elevational view thereof.

FIG. 5 is a rear elevational view thereof.

FIG. 6 is a left side elevational view thereof.

FIG. 7 is a right side elevational view thereof; and,

(Continued)

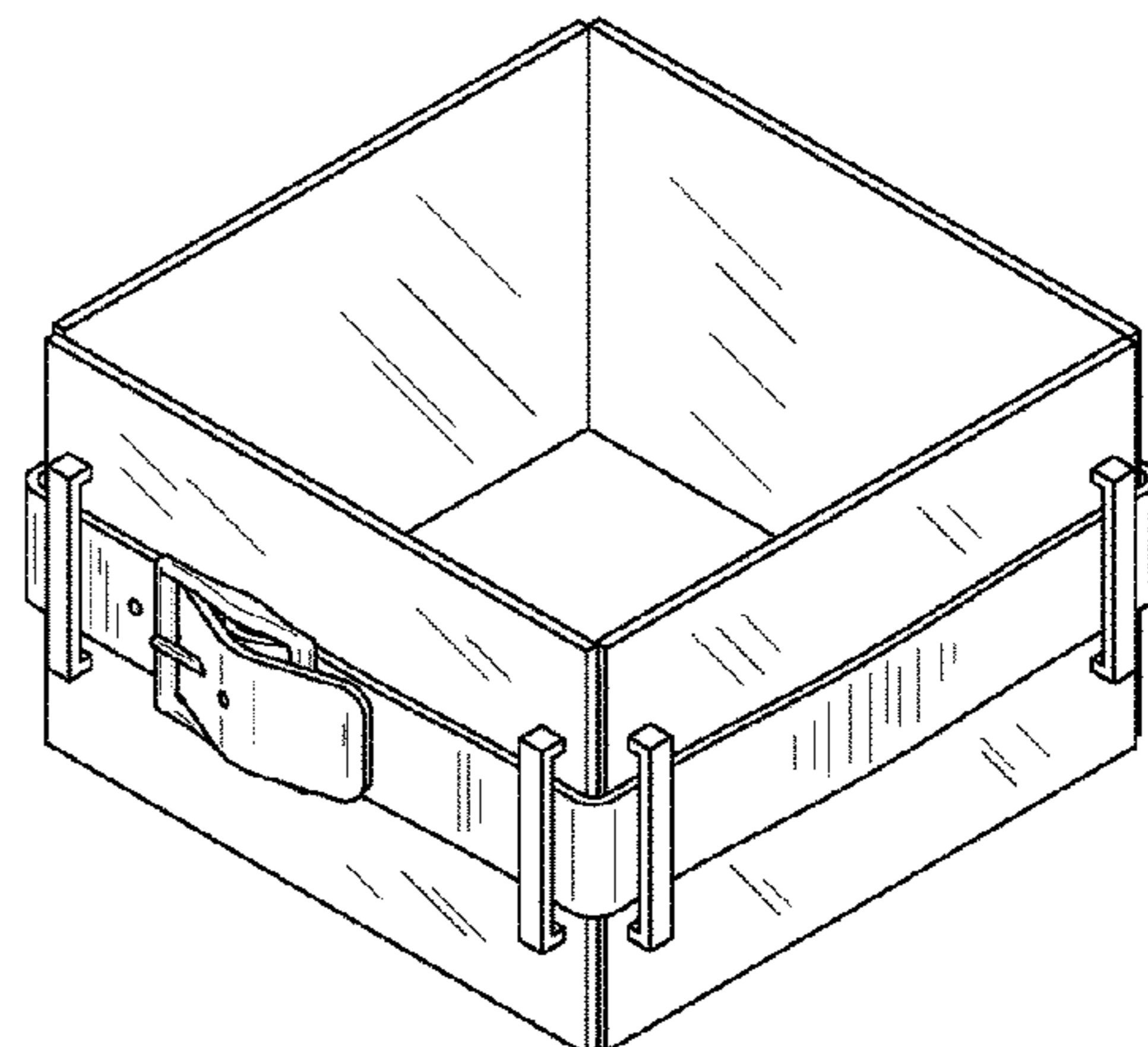
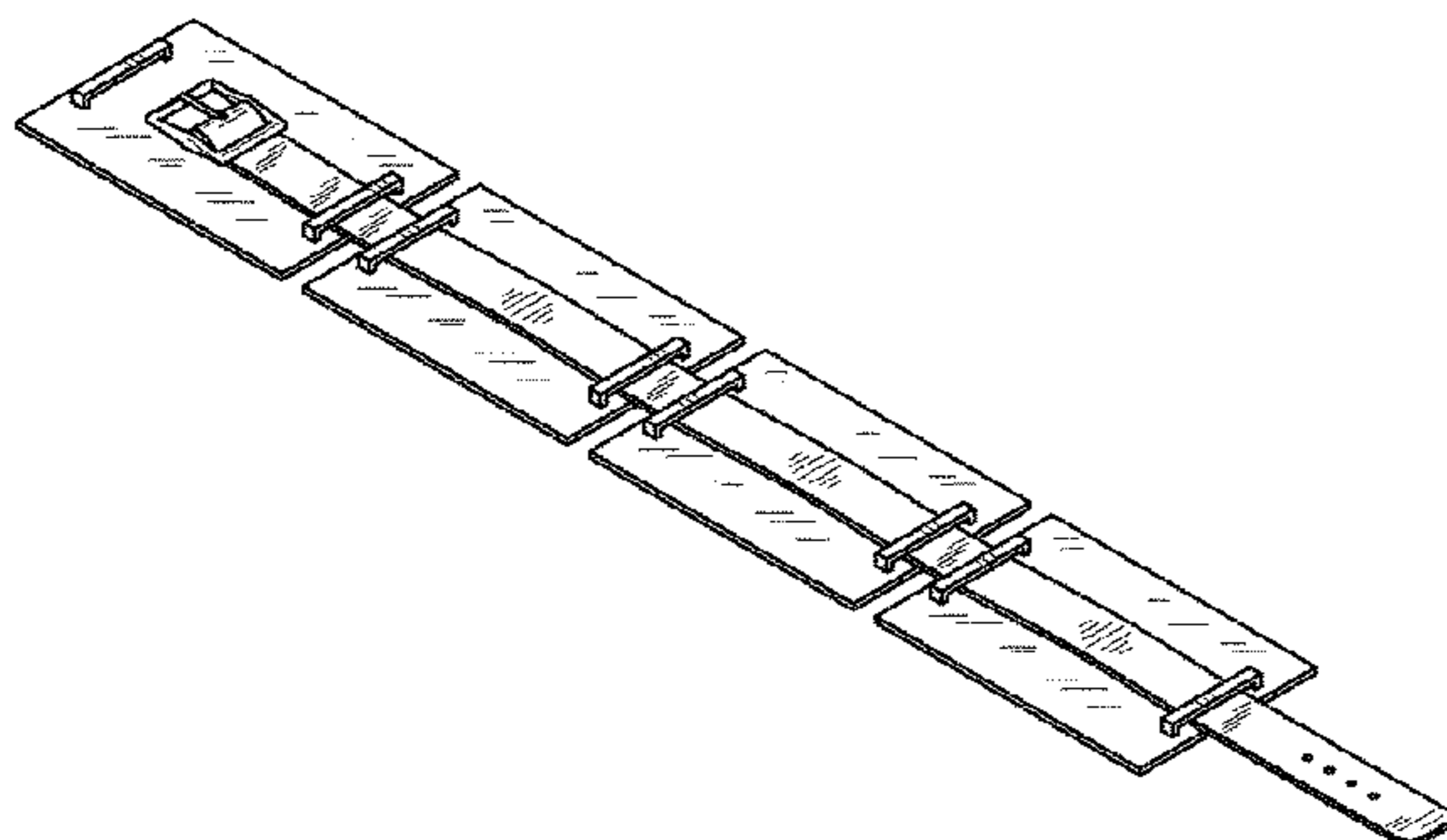


FIG. 8 is a perspective view showing the design in an alternate configuration.

**1 Claim, 5 Drawing Sheets**

(56)

**References Cited**

U.S. PATENT DOCUMENTS

3,329,747 A \* 7/1967 Veach ..... B28B 7/0014  
249/48  
3,572,625 A \* 3/1971 Williamsen ..... F25C 1/22  
164/131  
D232,577 S \* 8/1974 Friesen ..... D15/136  
3,848,846 A \* 11/1974 Ebner ..... A63H 33/04  
249/117  
4,245,973 A \* 1/1981 Greaney ..... A47J 43/282  
249/117  
4,842,241 A \* 6/1989 Fitzgerald ..... B28B 7/0044  
249/134  
4,887,789 A 12/1989 Harris et al.

D329,027 S \* 9/1992 Kodra ..... D11/130.1  
D392,119 S \* 3/1998 Montoya ..... D3/273  
6,126,876 A 10/2000 Demarzo  
6,149,485 A 11/2000 Christiansen  
8,857,783 B2 \* 10/2014 Thorpe-Doubble .. B29C 39/003  
249/101  
D722,654 S \* 2/2015 Martone ..... D21/472  
2004/0227053 A1 \* 11/2004 Manthei ..... B28B 7/0044  
249/83  
2005/0277357 A1 \* 12/2005 Buckley ..... A63H 33/32  
446/70  
2007/0194205 A1 \* 8/2007 Blackmon ..... E04G 15/063  
249/185  
2008/0251687 A1 10/2008 Taufield  
2013/0069265 A1 3/2013 Djoboulia  
2014/0166848 A1 \* 6/2014 Hunt ..... E02D 27/013  
249/1

FOREIGN PATENT DOCUMENTS

WO WO2008100619 8/2008  
WO WO2013040700 3/2013

\* cited by examiner

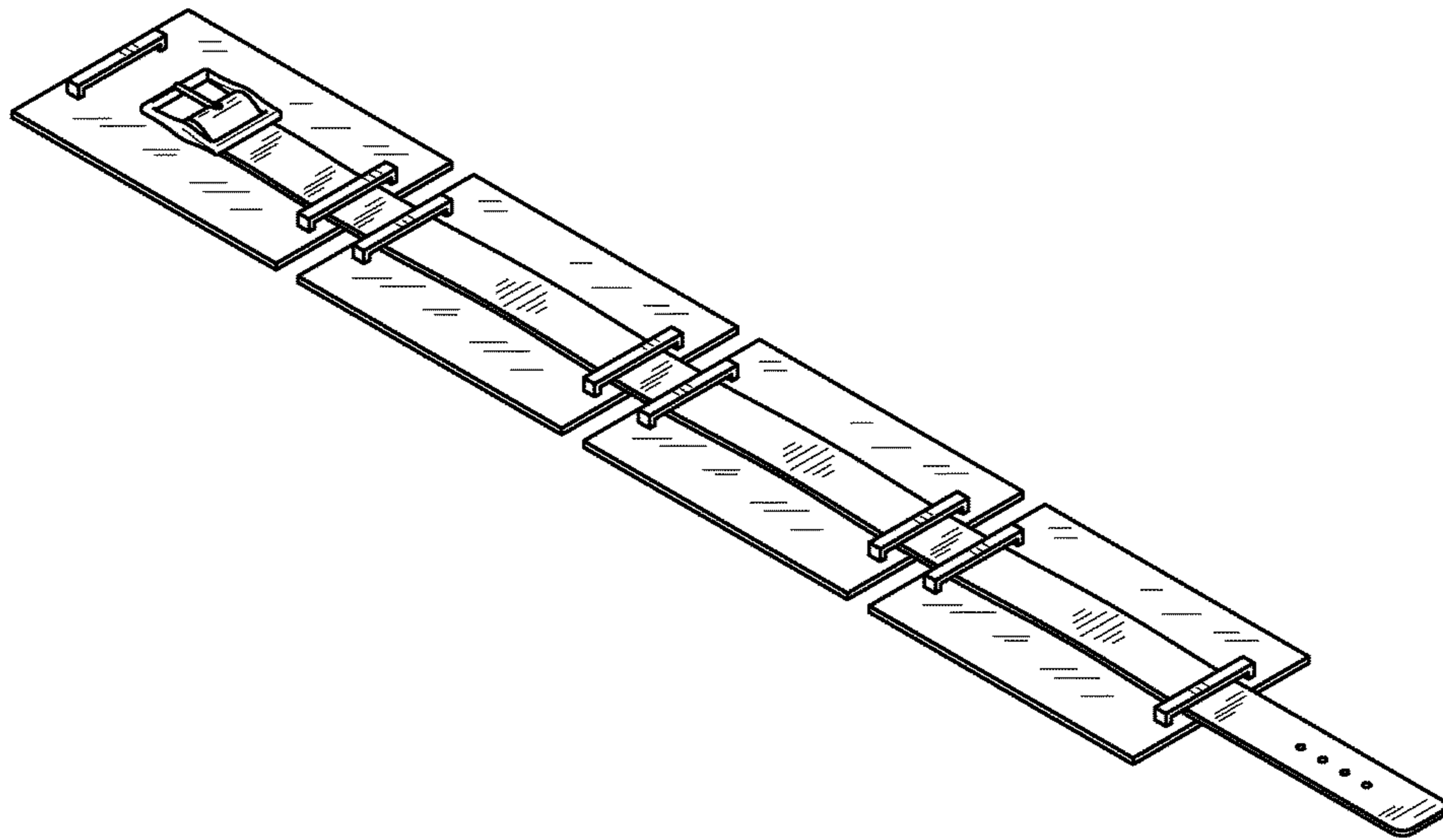


FIG. 1

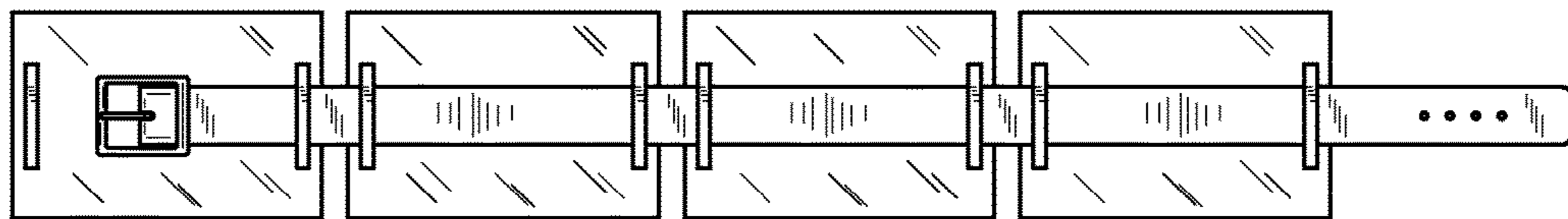


FIG. 2

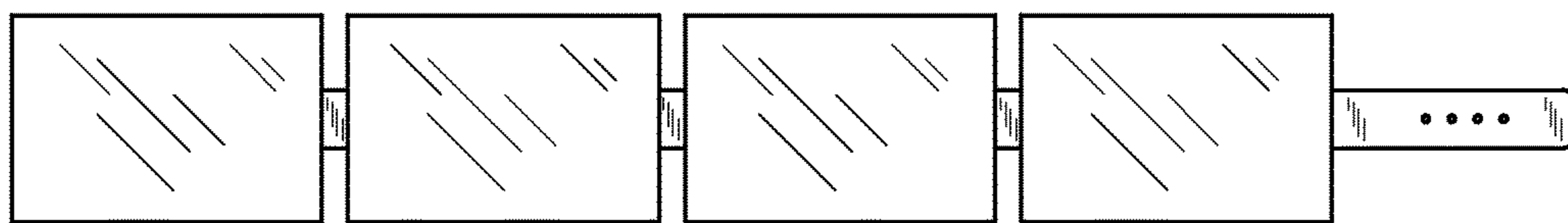


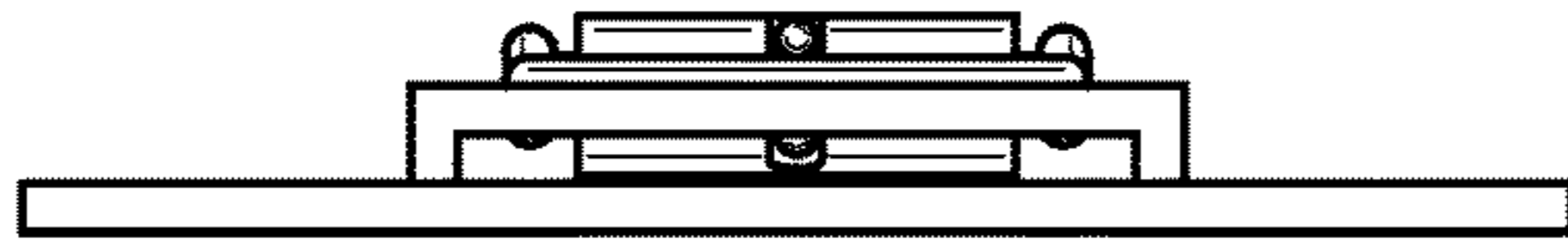
FIG. 3



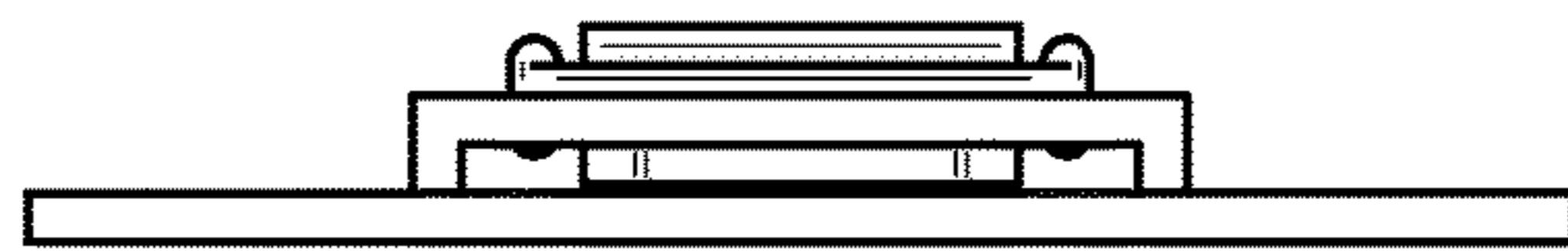
FIG. 4



FIG. 5



*FIG. 6*



*FIG. 7*

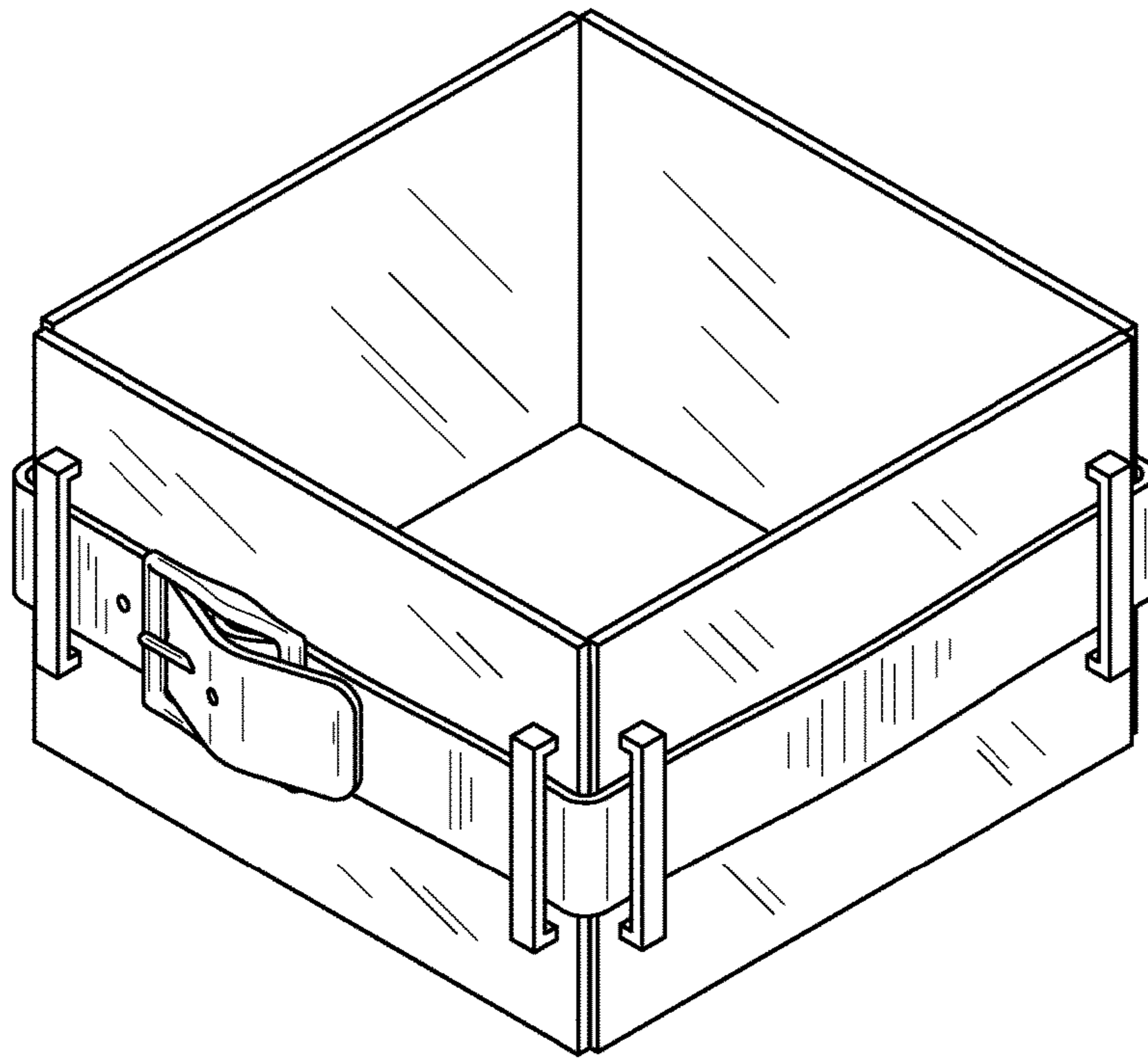


FIG. 8