



US00D788855S

(12) **United States Design Patent**
Blin Cheng et al.

(10) **Patent No.: US D788,855 S**

(45) **Date of Patent: ** Jun. 6, 2017**

(54) **EDUCATIONAL BOARD GAME**

(56) **References Cited**

(71) Applicants: **Allan Blin Cheng**, Virum (DK);
Christine Cheng Blin, Virum (DK)

U.S. PATENT DOCUMENTS

(72) Inventors: **Allan Blin Cheng**, Virum (DK);
Christine Cheng Blin, Virum (DK)

| | | | |
|----------------|---------|------------------|-------------|
| D119,189 S * | 2/1940 | Rosser | D21/386 |
| D126,404 S * | 4/1941 | Nussgruber | 273/294 |
| 6,209,875 B1 * | 4/2001 | Vildosola | A63F 9/20 |
| | | | 273/302 |
| 7,350,783 B2 * | 4/2008 | Tevolini | A63F 1/00 |
| | | | 273/274 |
| 7,857,315 B2 * | 12/2010 | Hoyt | A63F 3/0415 |
| | | | 273/293 |
| D691,668 S * | 10/2013 | Scott, Jr. | D21/385 |
| D711,477 S * | 8/2014 | Fittingoff | D21/385 |

(**) Term: **15 Years**

(21) Appl. No.: **35/500,354**

(22) Filed: **Oct. 22, 2015**

* cited by examiner

(80) **Hague Agreement Data**

Int. Filing Date: **Oct. 22, 2015**

Int. Reg. No.: **DM/088411**

Int. Reg. Date: **Oct. 22, 2015**

Int. Reg. Pub. Date: **Dec. 11, 2015**

Primary Examiner — George D. Kirschbaum

(57) **CLAIM**

The ornamental design for an educational board game, as shown and described.

DESCRIPTION

(30) **Foreign Application Priority Data**

May 22, 2015 (EM) 002705905-0001

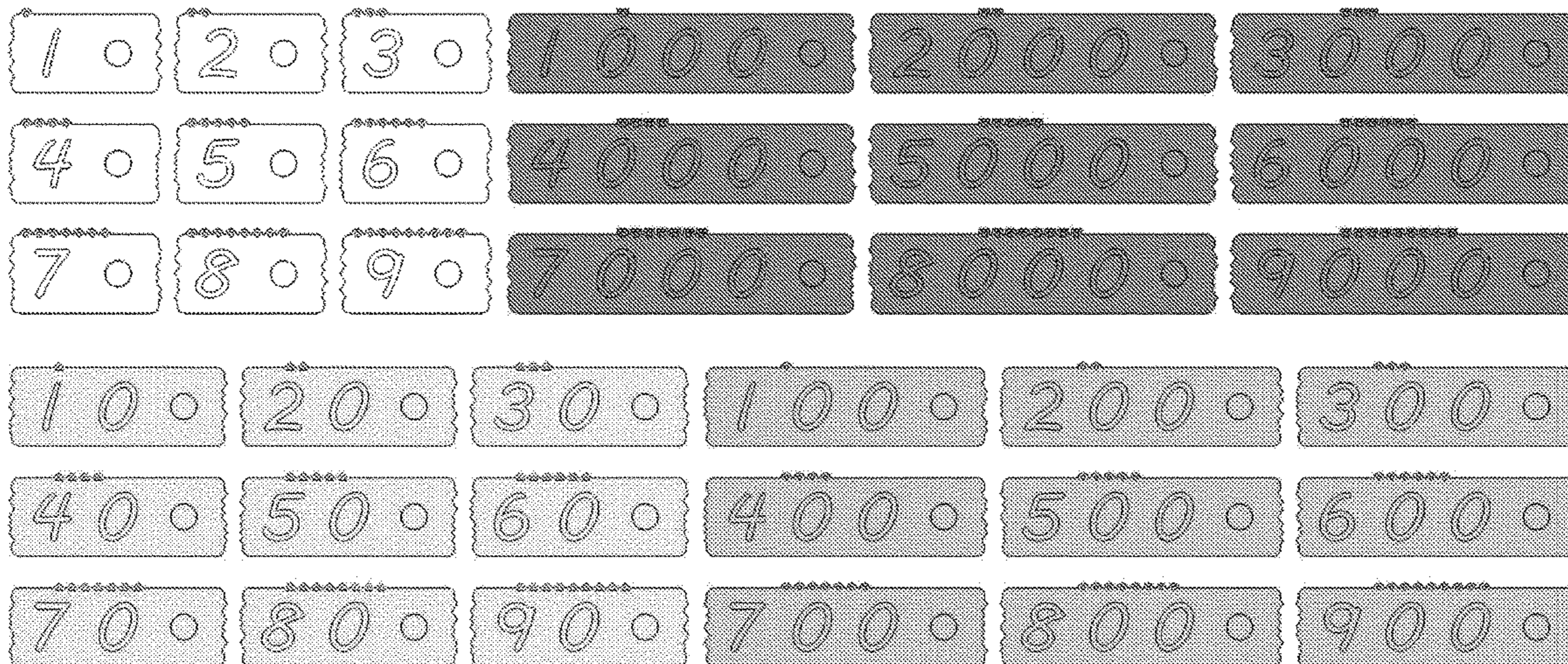
(51) **LOC (10) Cl.** **21-03**

(52) **U.S. Cl.**
USPC **D21/386**

(58) **Field of Classification Search**
USPC D21/385, 386
CPC A63F 9/20; A63F 1/00; A63F 3/0415
See application file for complete search history.

1. Educational board game
 Fig. 1.1 is a front view.
 Fig. 1.2 is a rear view.
 Fig. 1.3 is an enlarged view of several pieces together.
 Fig. 1.4 is an enlarged view of a single piece.
 Fig. 1.5 is an enlarged view of a single piece.
 Fig. 1.6 is an enlarged view of a single piece.
 Fig. 1.7 is an enlarged view of a single piece.

1 Claim, 7 Drawing Sheets



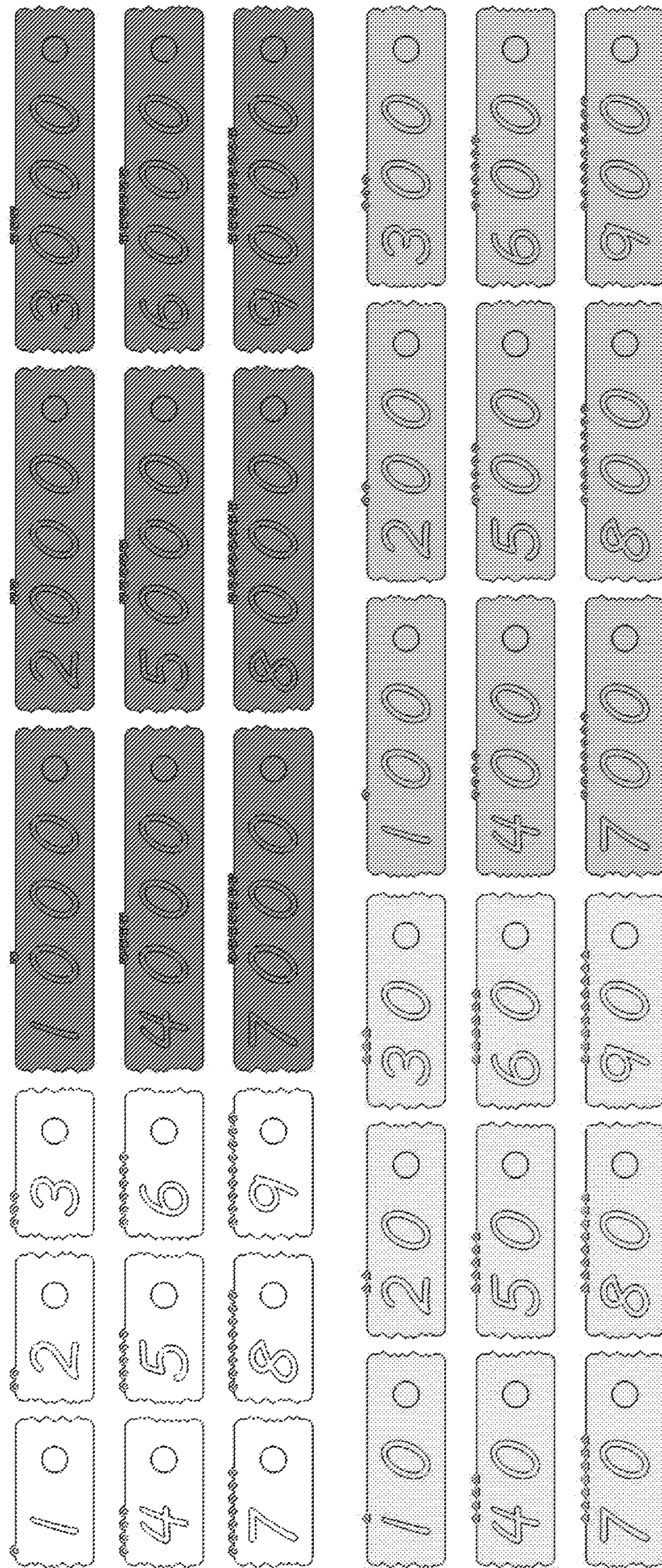


FIG. 1.1

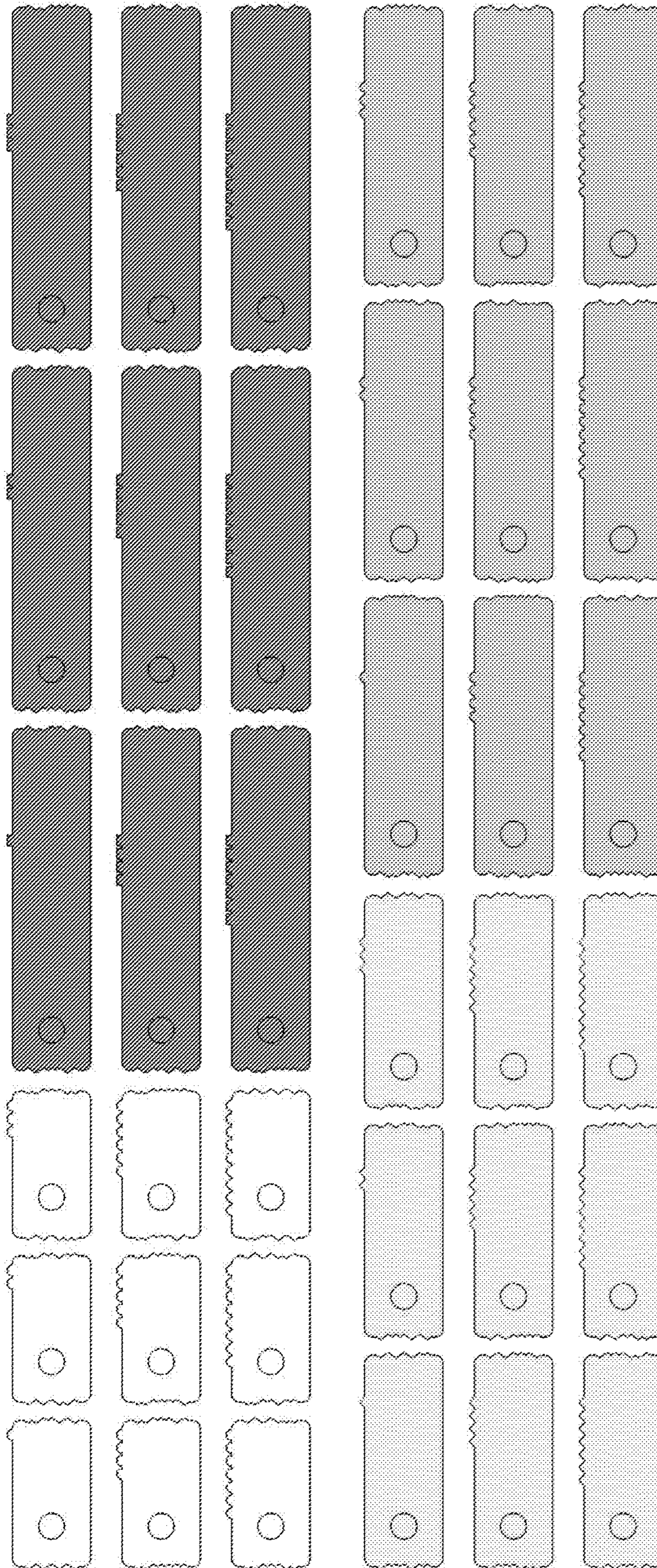


FIG. 1.2

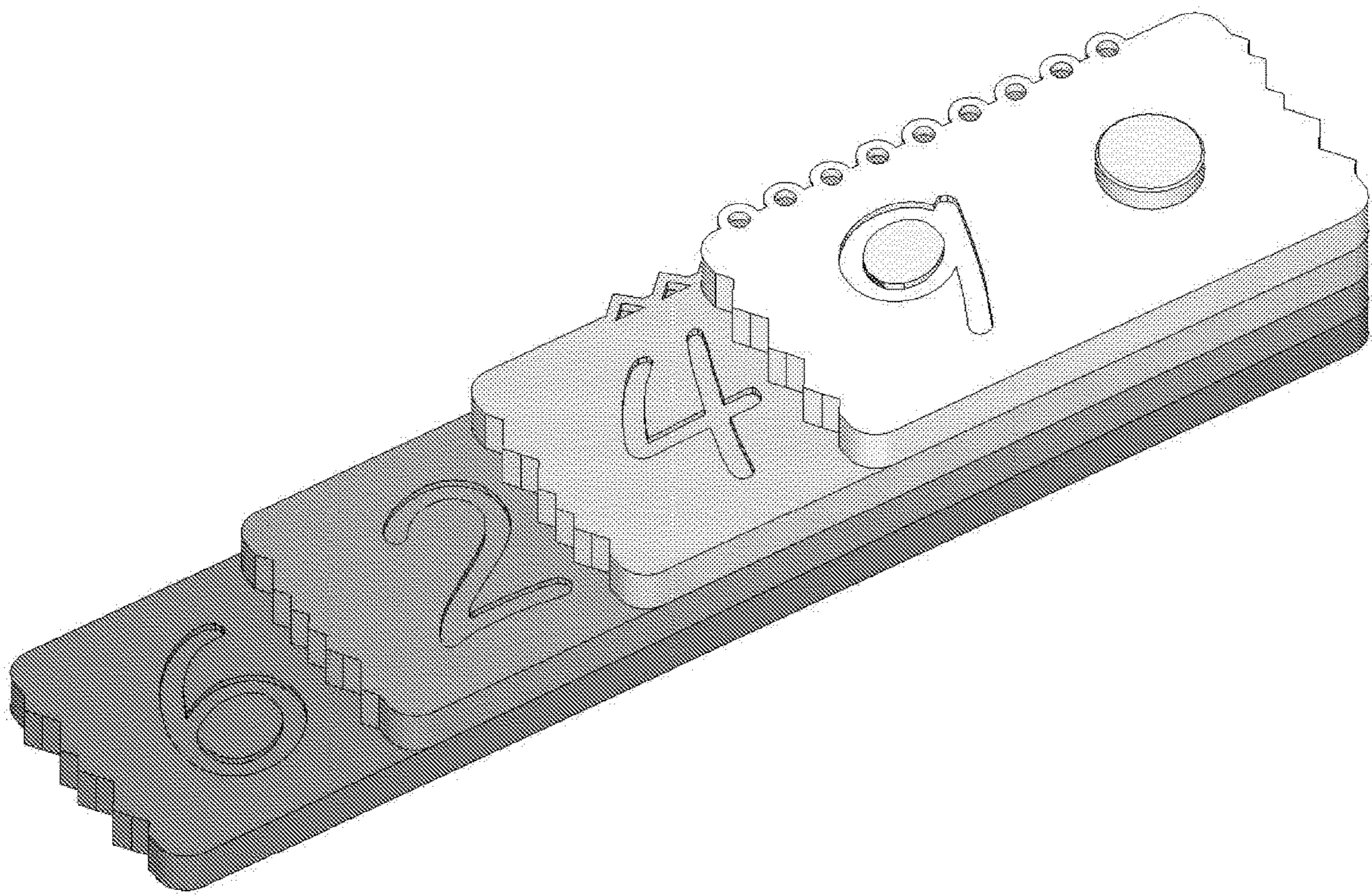


FIG. 1.3

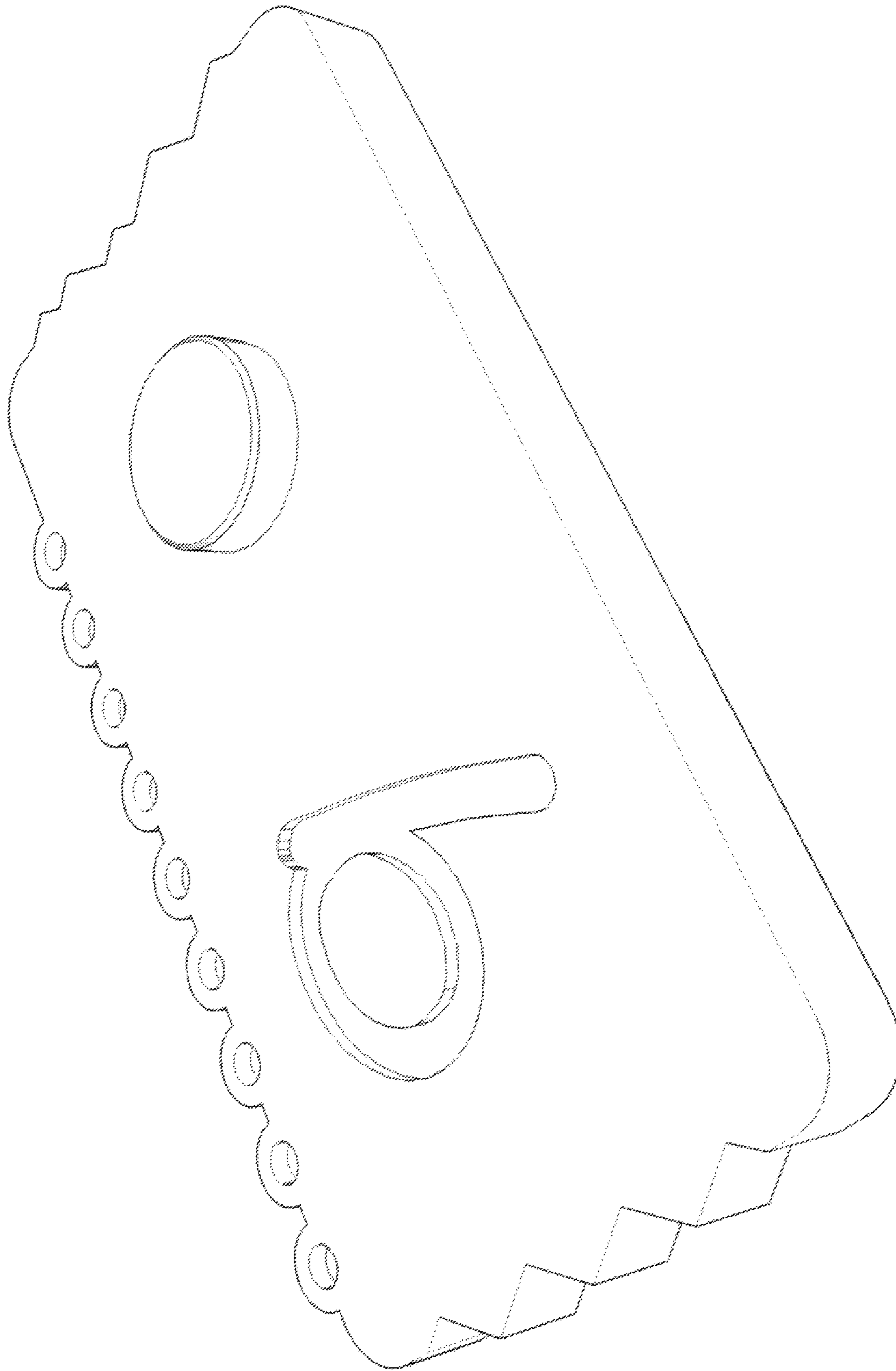


FIG. 1.4

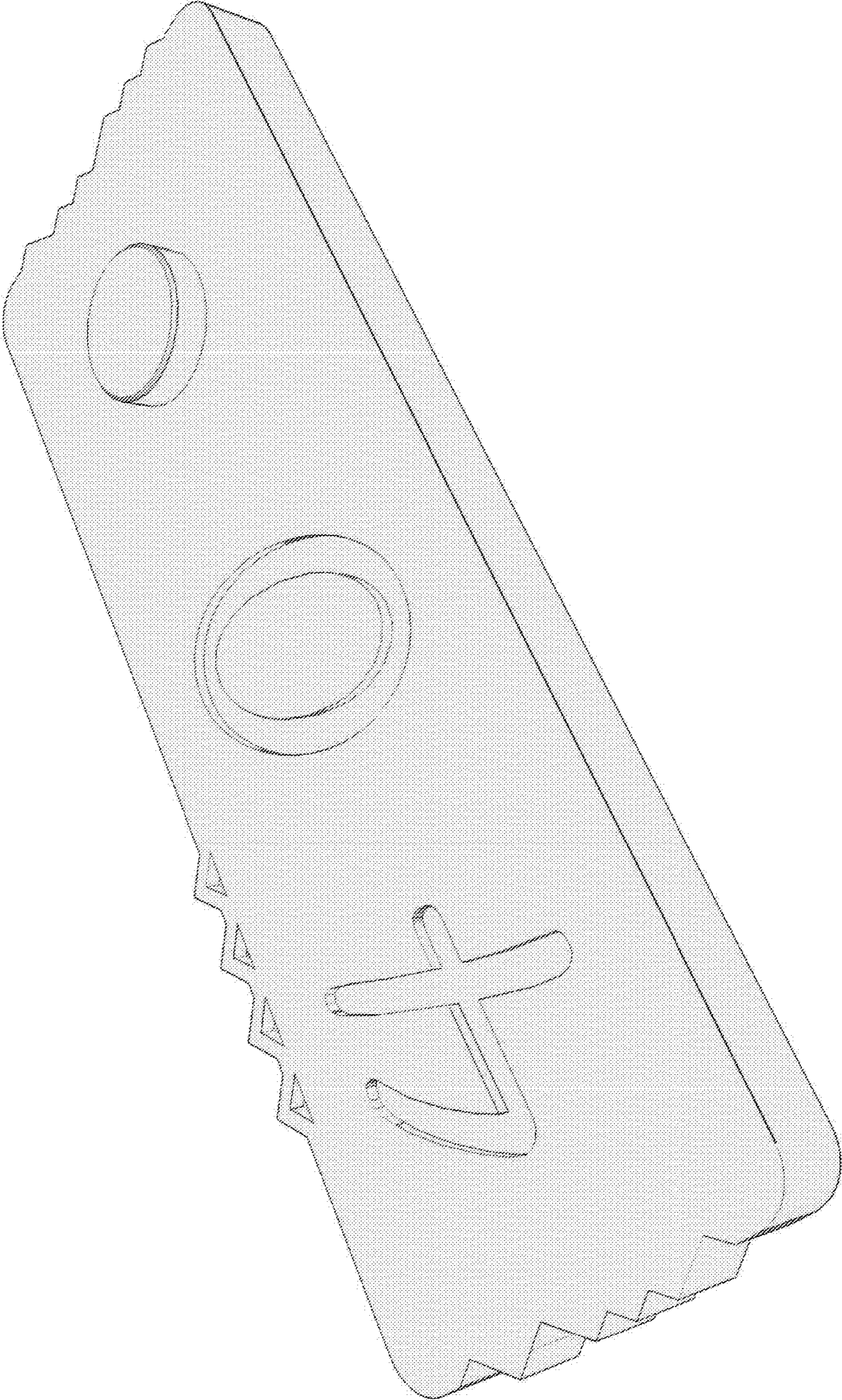


FIG. 1.5

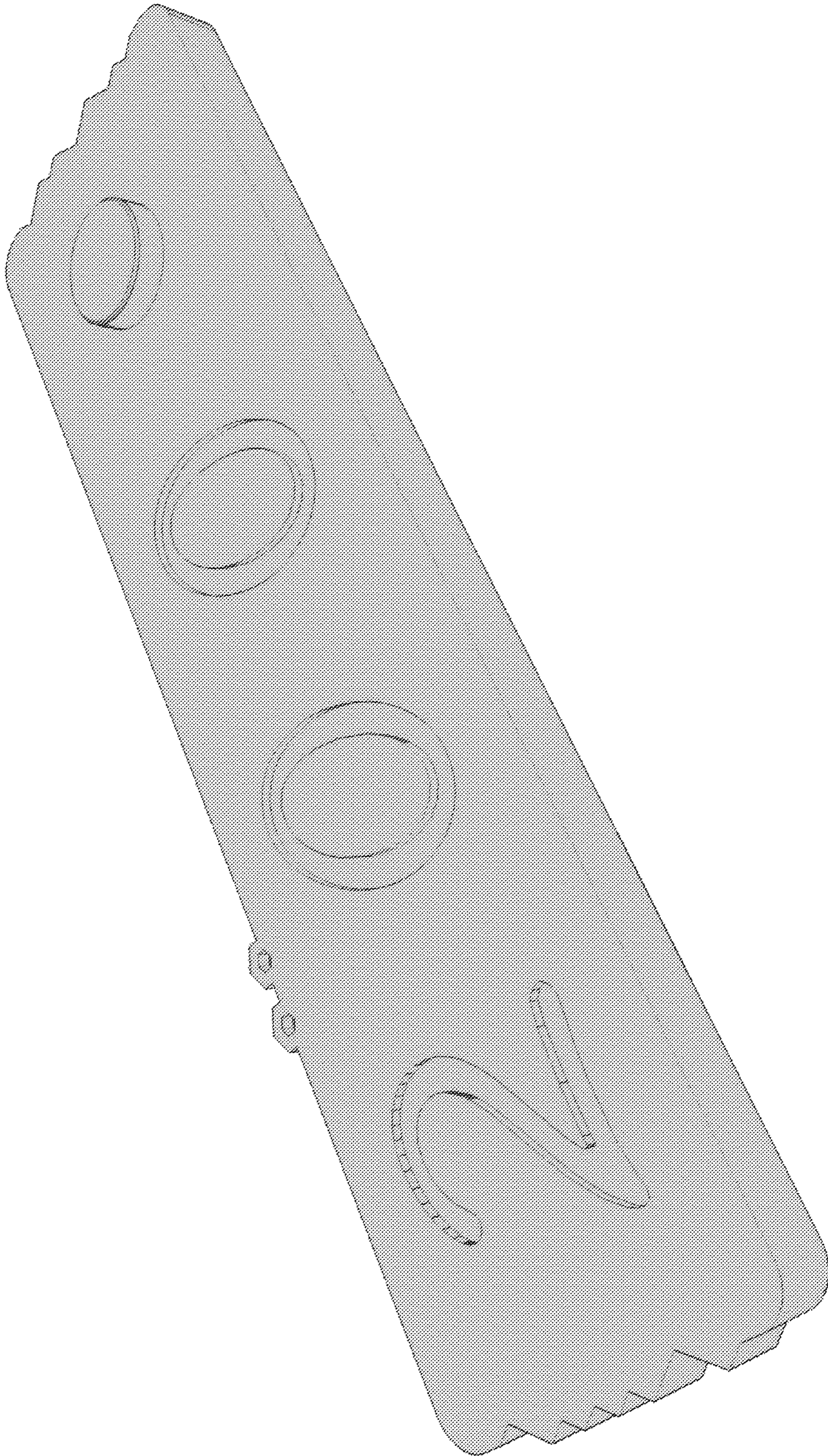


FIG. 1.6

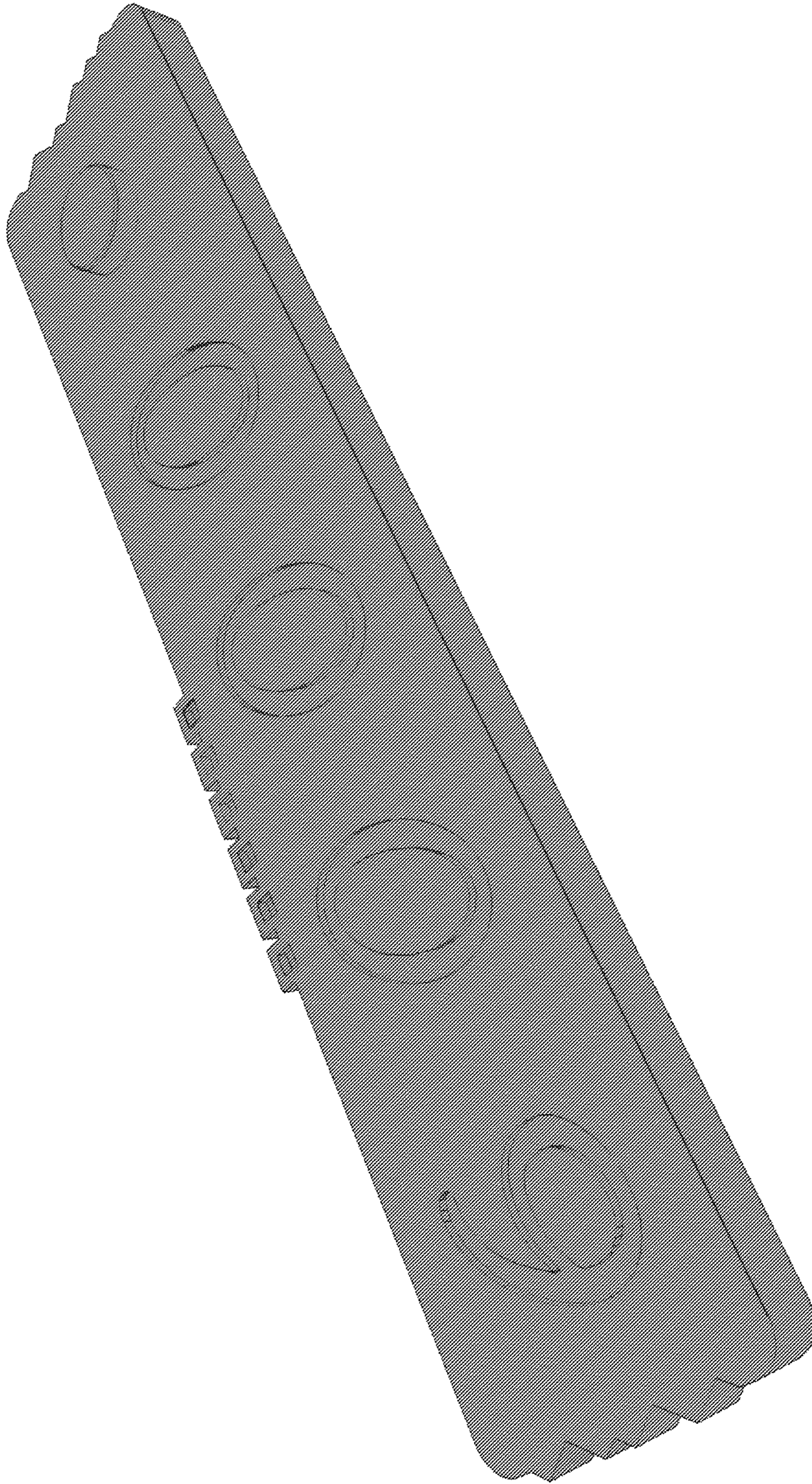


FIG. 1.7