



US00D788853S

(12) **United States Design Patent** (10) **Patent No.:** **US D788,853 S**
Chatterjee et al. (45) **Date of Patent:** **** *Jun. 6, 2017**

(54) **CONTROLLER**

(71) Applicant: **Microsoft Corporation**, Redmond, WA (US)

(72) Inventors: **Monique Chatterjee**, Seattle, WA (US); **Richard T. Hanks**, Seattle, WA (US); **William Bennett Mabry**, Seattle, WA (US); **Austin Porter**, Seattle, WA (US)

(73) Assignee: **Microsoft Corporation**, Redmond, WA (US)

(*) Notice: This patent is subject to a terminal disclaimer.

(**) Term: **15 Years**

(21) Appl. No.: **29/557,565**

(22) Filed: **Mar. 10, 2016**

(51) **LOC (10) Cl.** **21-01**

(52) **U.S. Cl.**
USPC **D21/333**

(58) **Field of Classification Search**
USPC D14/496, 401, 435, 474, 483, 217, 137, D14/138, 160, 168, 356, 203.1–203.8,
(Continued)

(56) **References Cited**

U.S. PATENT DOCUMENTS

5,207,426 A 5/1993 Inoue et al.
D362,030 S 9/1995 Chan
(Continued)

FOREIGN PATENT DOCUMENTS

JP D1470051 4/2013
JP D1532116 7/2015

OTHER PUBLICATIONS

Ref. No. HJ24062699, Xinput/DirectInput PlayStation, Elecom, <URL: http://www.elecom.co.jp/news/201212/jc-u3613m/JC-U3613MRD_01L.jpg>; date: Feb. 1, 2013.

(Continued)

Primary Examiner — Prabhakar G Deshmukh
(74) *Attorney, Agent, or Firm* — Banner & Witcoff, Ltd.

(57) **CLAIM**

The ornamental design for a controller, as shown and described.

DESCRIPTION

The patent or application file contains at least one drawing executed in color. Copies of this patent or patent application publication with color drawing(s) will be provided by the Office upon request and payment of the necessary fee.

FIG. 1 is a front perspective view of a controller showing our new design;

FIG. 2 is a top view thereof;

FIG. 3 is a bottom view thereof;

FIG. 4 is a front view thereof;

FIG. 5 is a rear view thereof;

FIG. 6 is a left side view thereof;

FIG. 7 is a right side view thereof;

FIG. 8 is a front perspective view of a controller showing our new design;

FIG. 9 is a top view thereof;

FIG. 10 is a bottom view thereof;

FIG. 11 is a front view thereof;

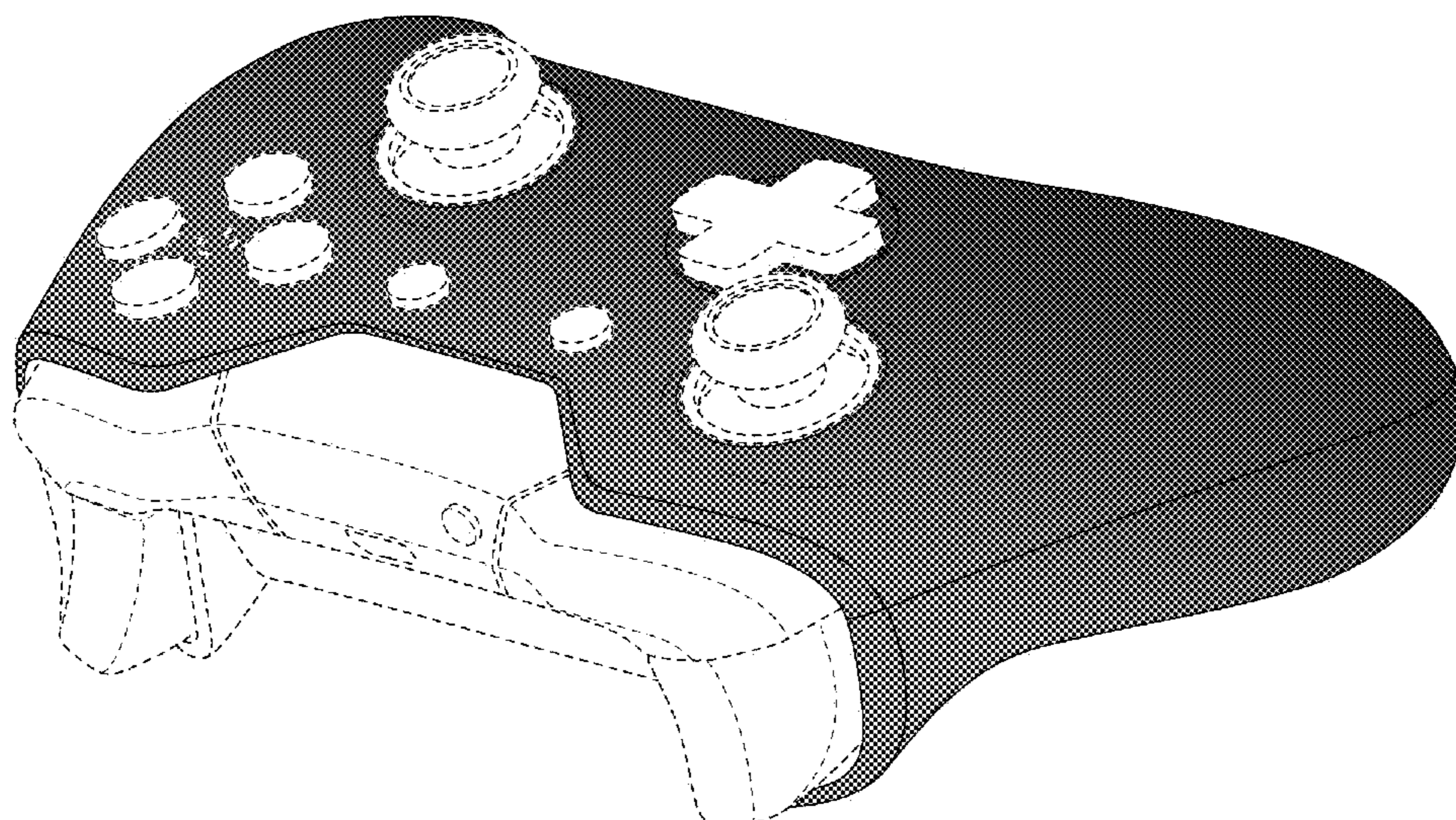
FIG. 12 is a rear view thereof;

FIG. 13 is a left side view thereof; and,

FIG. 14 is a right side view thereof.

The broken line showing of the remainder of the controller in FIGS. 1-7 and FIGS. 8-14 is for environmental purposes only and forms no part of the claimed design.

1 Claim, 14 Drawing Sheets
(14 of 14 Drawing Sheet(s) Filed in Color)



(58) **Field of Classification Search**

USPC D14/507; 345/156, 169, 173–179, 905;
 715/727–729, 864, 700, 706, 719; 710/1,
 710/5, 8; 713/1, 600; 455/1.1, 1.7, 73,
 455/344–347, 93, 95, 3.01–3.06, 550.1,
 455/573.1; 370/342–344; 369/1, 2,
 369/6–12; 463/51–57, 40–47, 1, 29–35;
 D21/324, 328, 333; 273/148 B
 CPC .. A63F 13/00; A63F 13/02; A63F 9/00; G06F
 17/00; G06F 19/00

See application file for complete search history.

D570,854 S *	6/2008	Harris	D14/454
7,762,553 B2 *	7/2010	Harris	A63F 13/02 273/148 B
D692,001 S	10/2013	Ibuki et al.	
D709,882 S *	7/2014	Morris	D14/401
D715,362 S	10/2014	He	
D733,802 S *	7/2015	Burgess	D14/401
9,251,701 B2 *	2/2016	Plagge	G08C 23/04
D765,788 S *	9/2016	Kujawski	D14/401
D765,793 S *	9/2016	Chatterjee	D14/401
D766,377 S *	9/2016	Kujawski	D14/401
D767,037 S *	9/2016	Chatterjee	D21/333
D772,987 S *	11/2016	Kujawski	D14/401
D772,988 S *	11/2016	Kujawski	D14/401

(56) **References Cited**

U.S. PATENT DOCUMENTS

5,700,194 A	12/1997	Hsien	
6,001,015 A	12/1999	Nishiumi et al.	
D420,346 S	2/2000	Hashiguchi et al.	
D423,595 S	4/2000	Goto	
D435,542 S	12/2000	Onoda et al.	
6,342,009 B1	1/2002	Soma	
D469,767 S	2/2003	Hussaini et al.	
7,235,012 B2 *	6/2007	DiDato	A63F 13/06 273/148 B
D547,763 S *	7/2007	Hayes	D14/401
D568,883 S	5/2008	Ashida et al.	

OTHER PUBLICATIONS

Jul. 12, 2016—(JP) Notice of Allowance—App 2016-004469.
 Jul. 12, 2016—(JP) References Considered by Examiner—App
 2016-004469.
 Jan. 17, 2017—(US) Non-Final Office Action—U.S. Appl. No.
 29/556,050.
 Callaham, John; “Xbox One Lunar White Wireless Controller
 Coming in September for \$64.99;” Dated Aug. 31, 2015; [http://
 www.windowscentral.com/xbox-one-lunar-white-wireless-control-
 ler-coming-septe](http://www.windowscentral.com/xbox-one-lunar-white-wireless-controller-coming-septe).

* cited by examiner

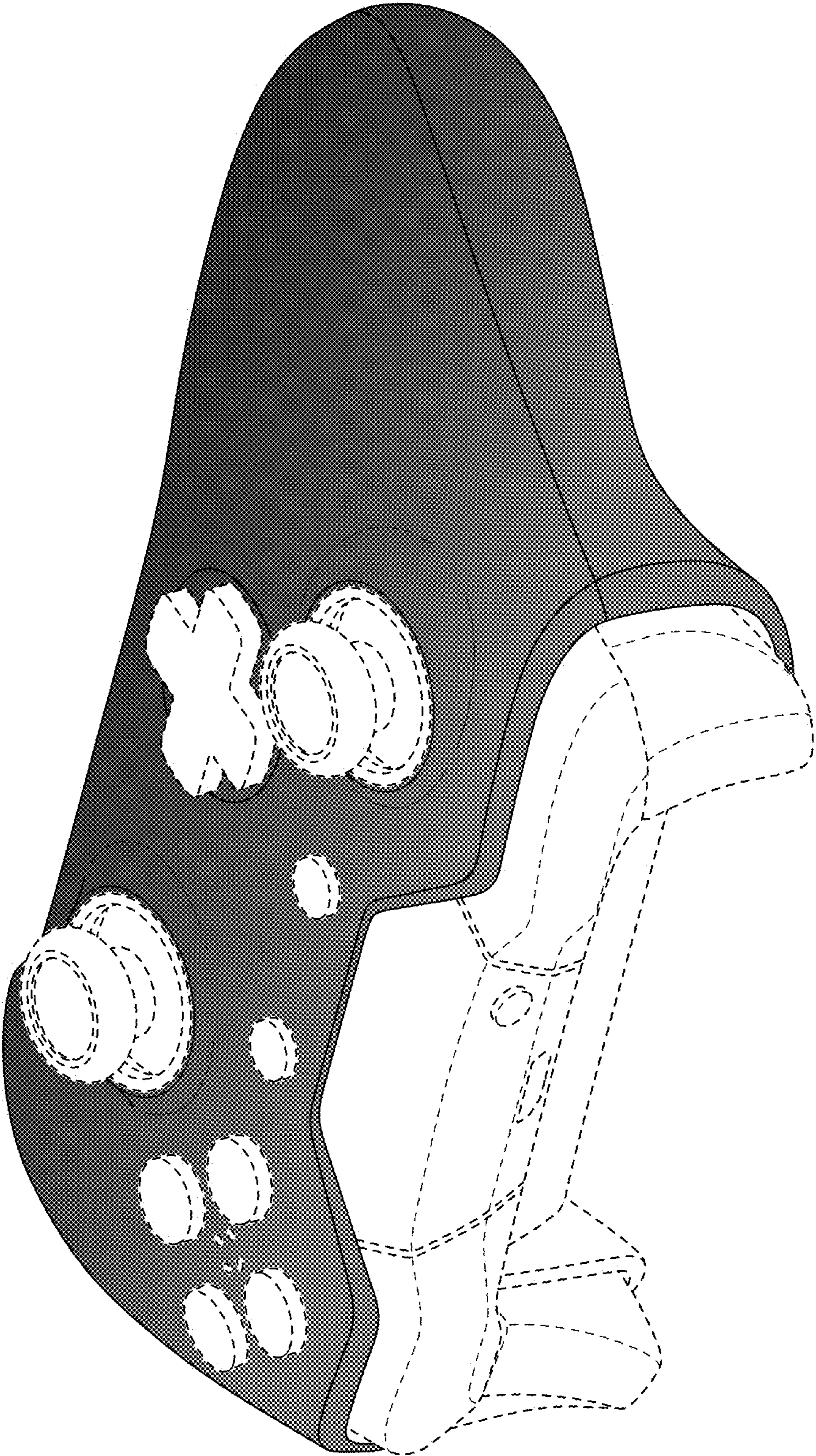


FIG. 1

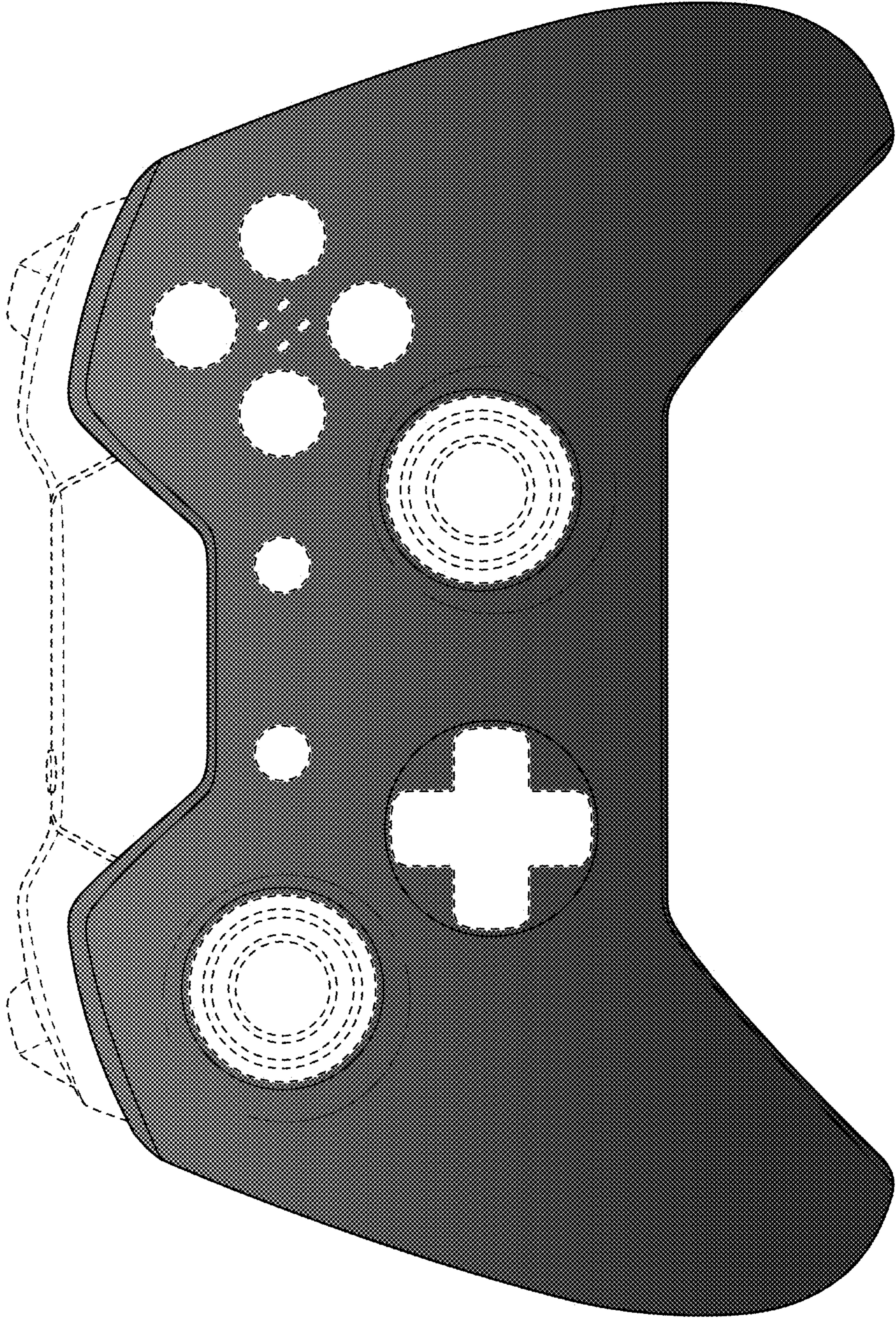


FIG. 2

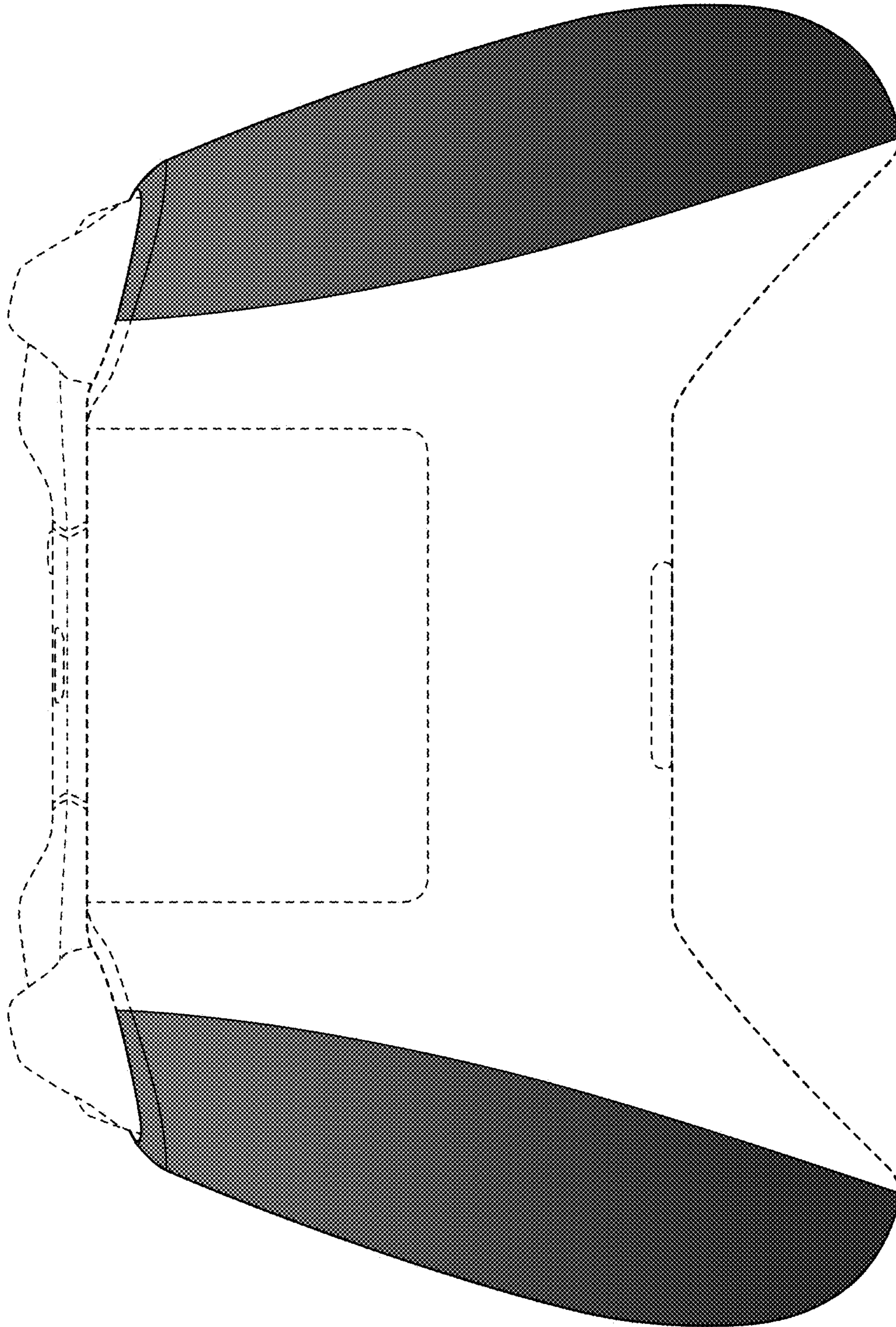


FIG. 3

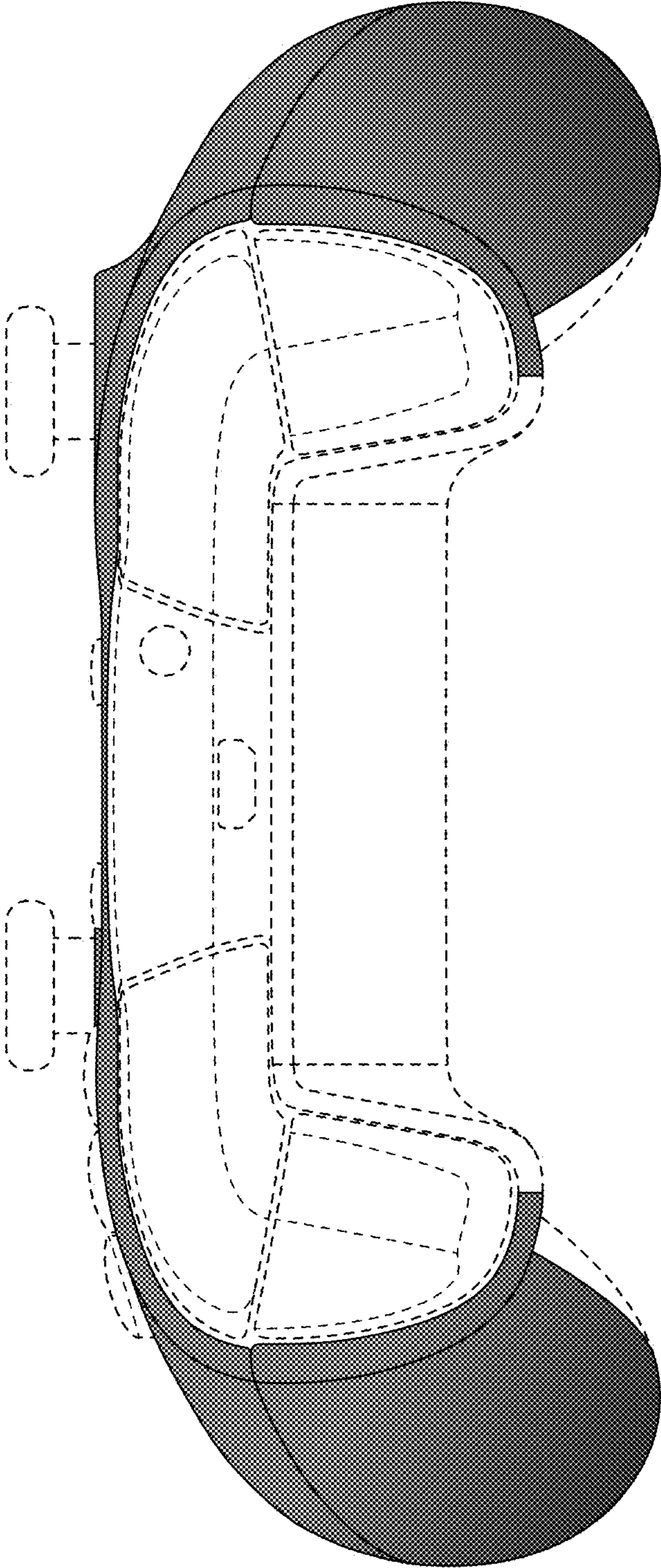


FIG. 4

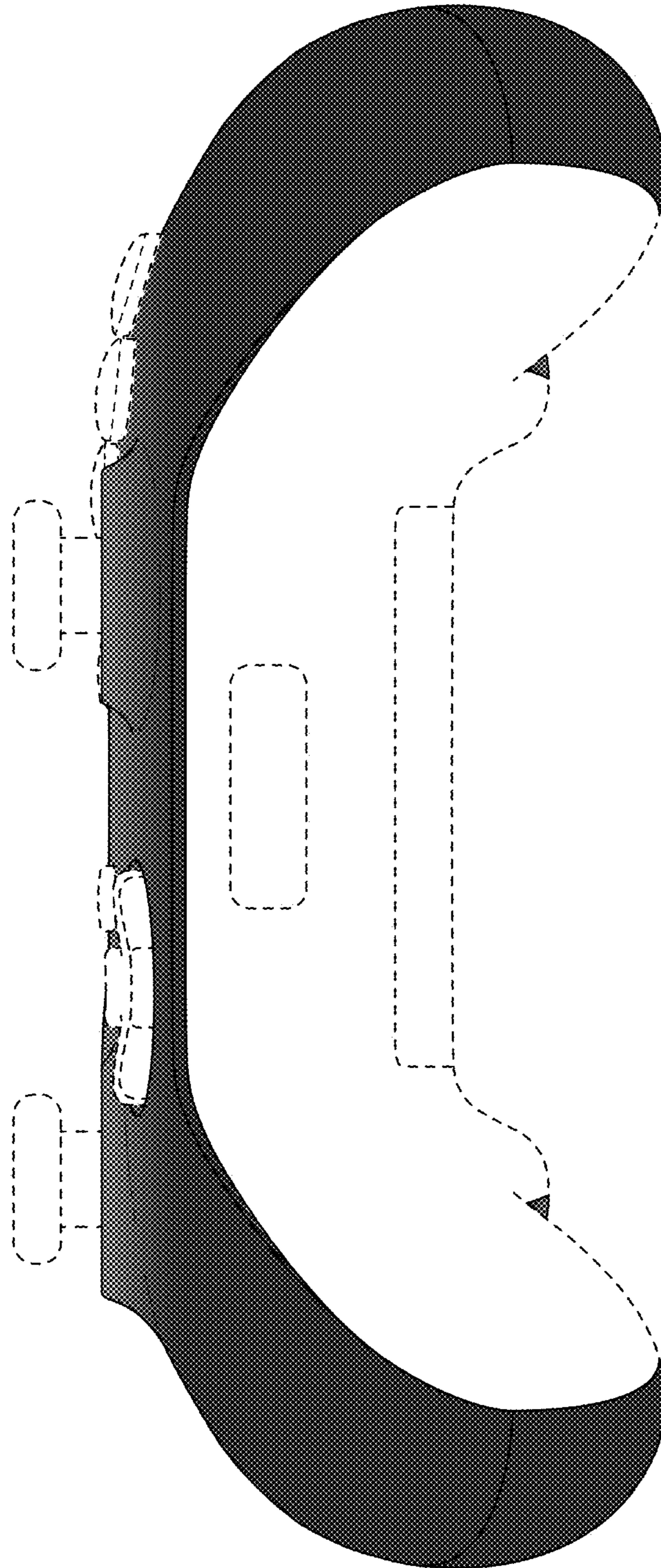


FIG. 5

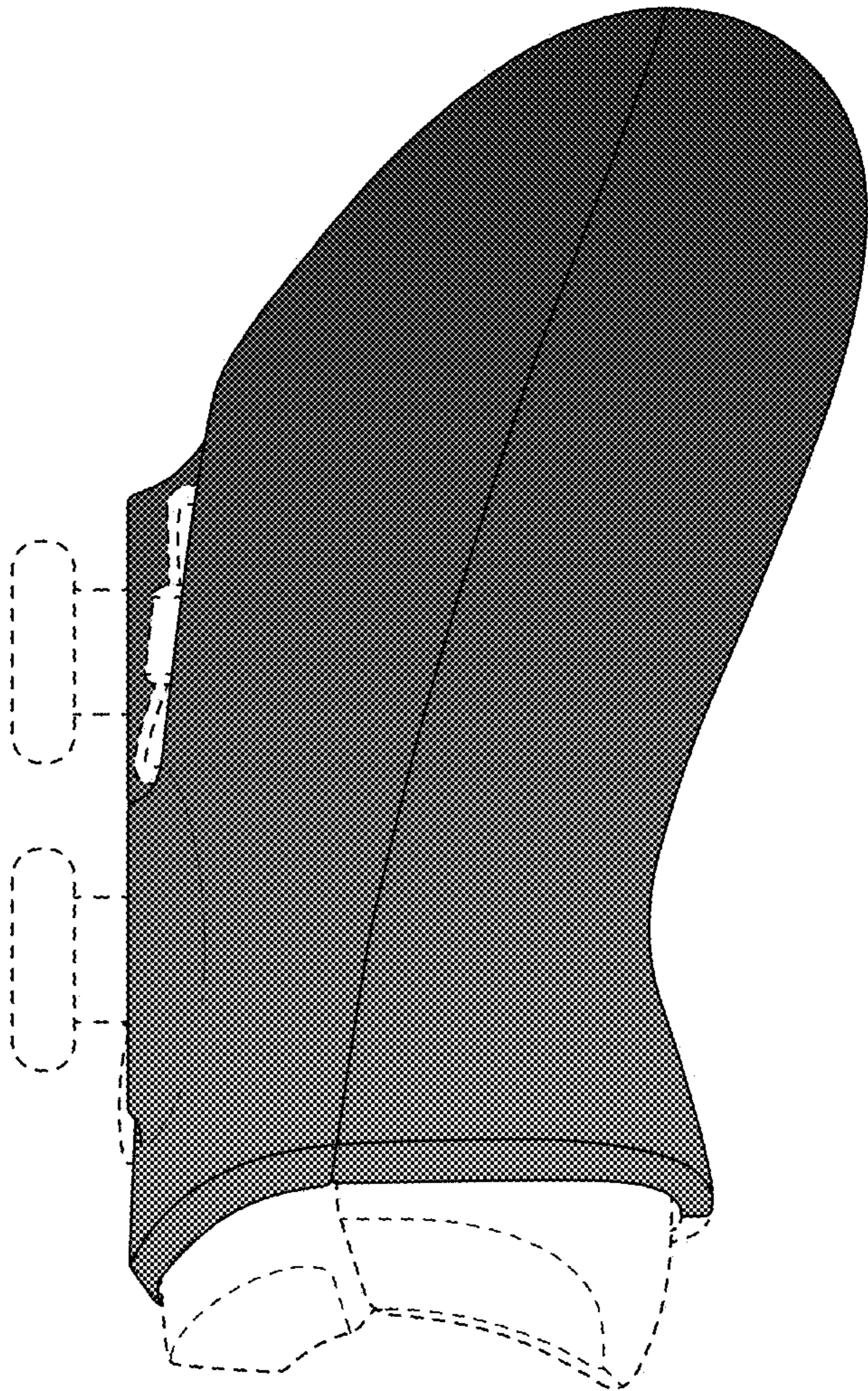


FIG. 6

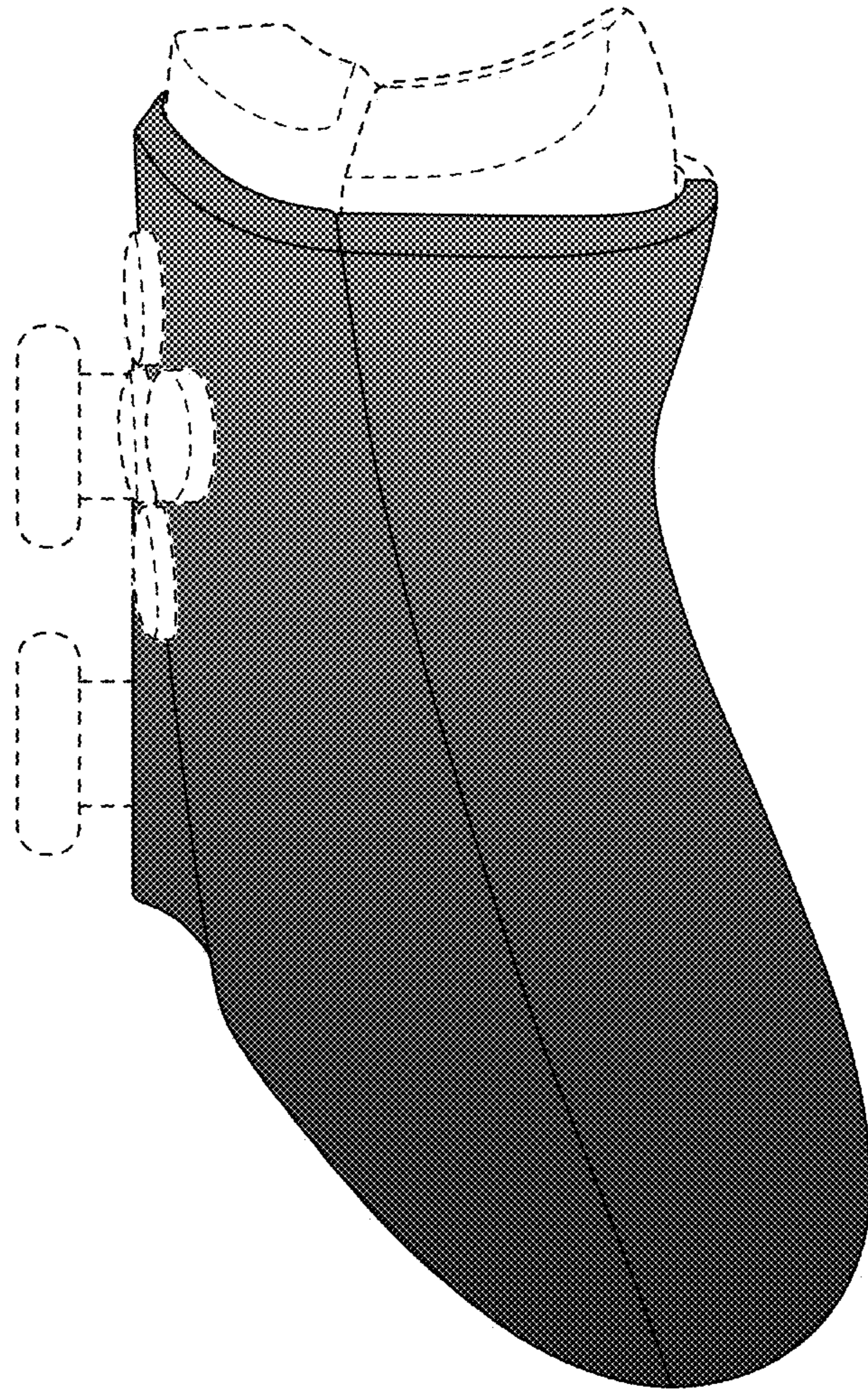


FIG. 7

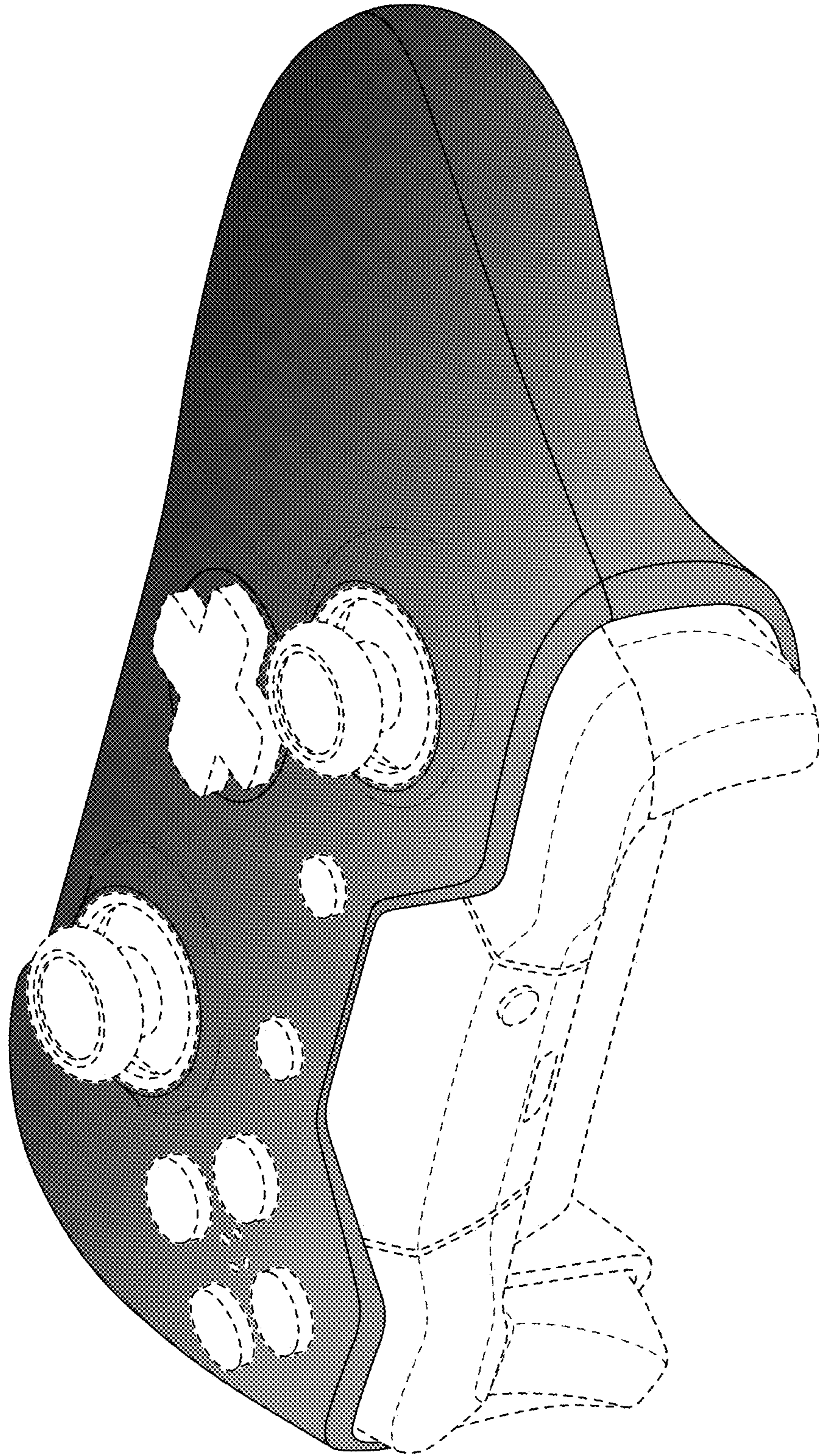


FIG. 8

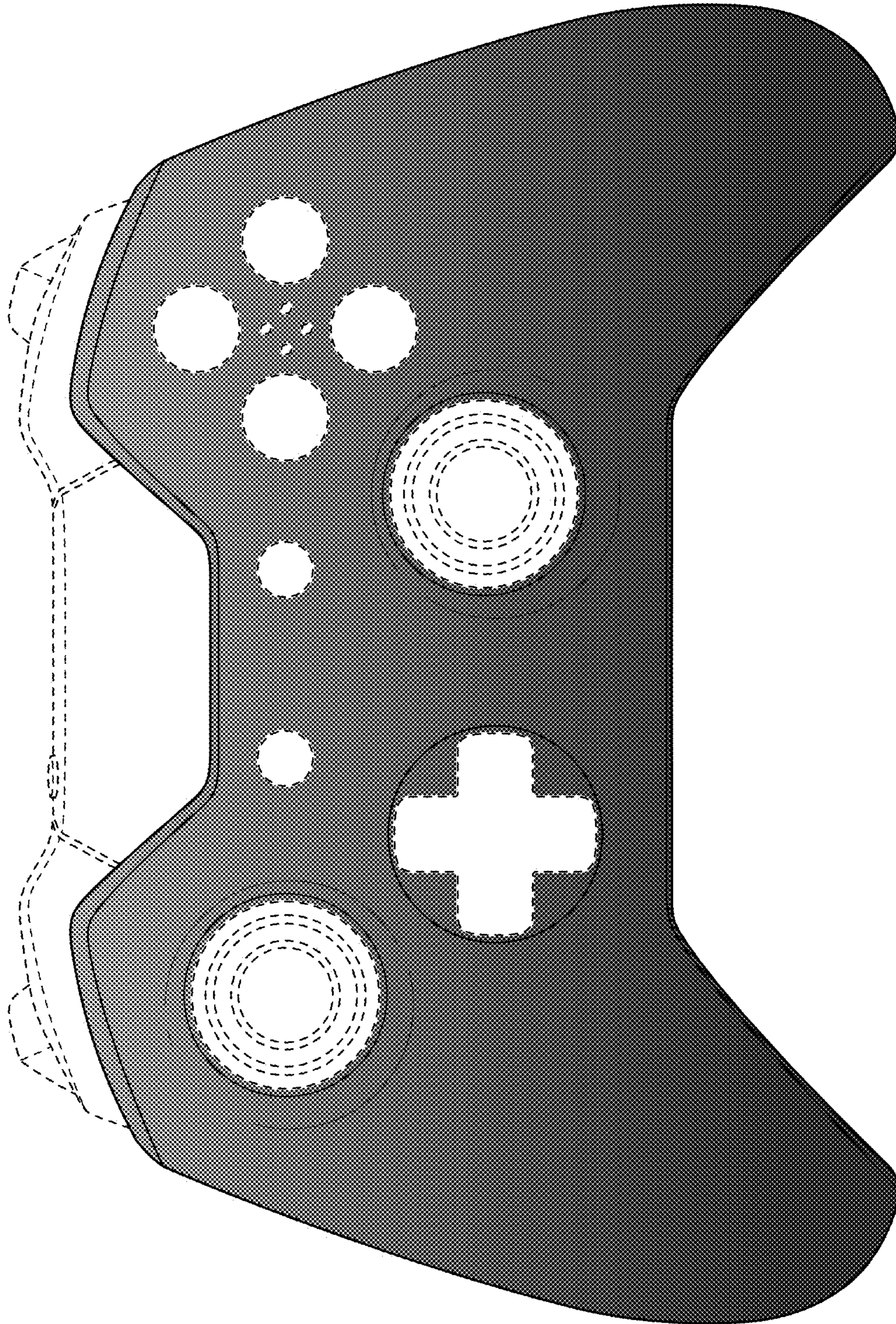


FIG. 9

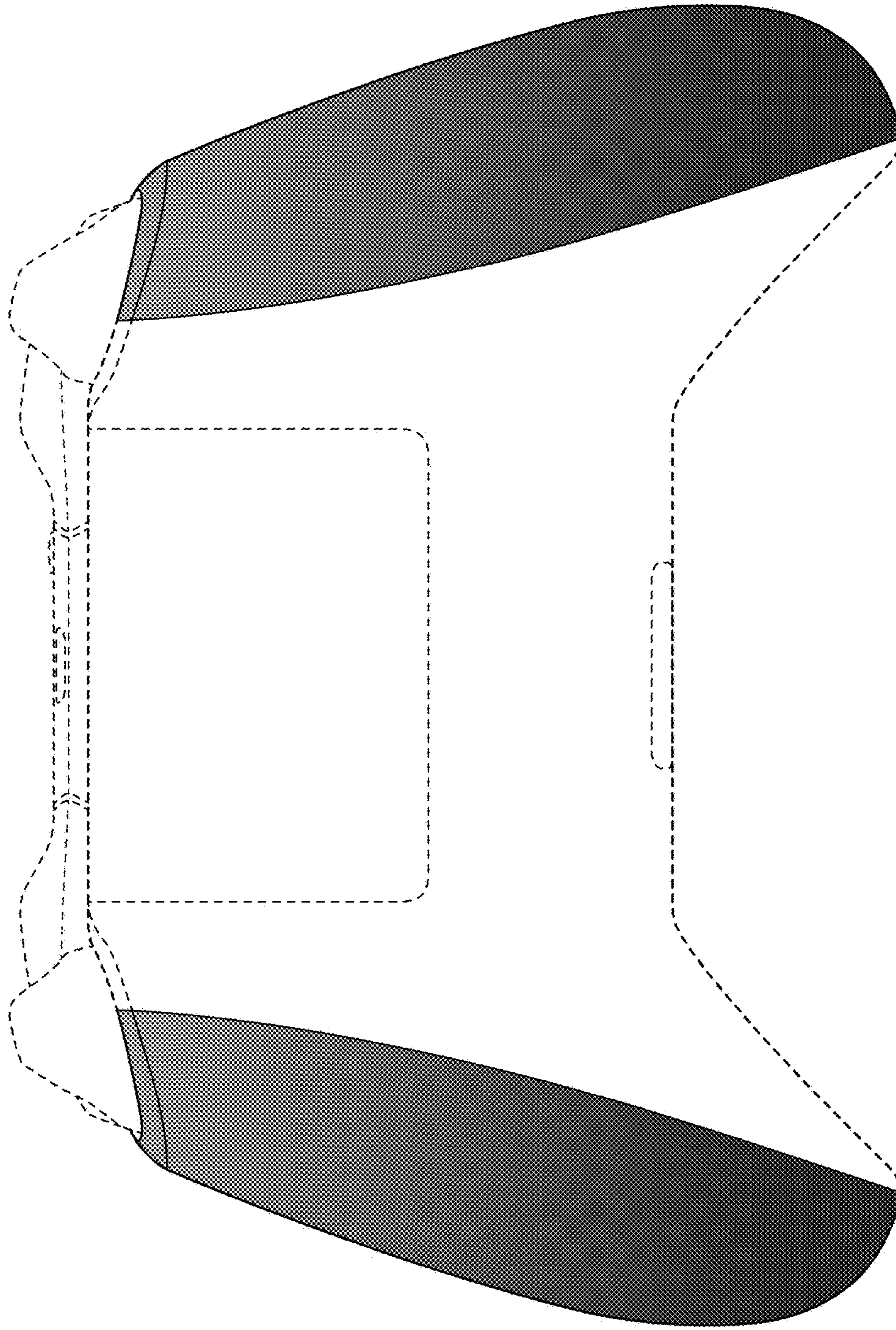


FIG. 10

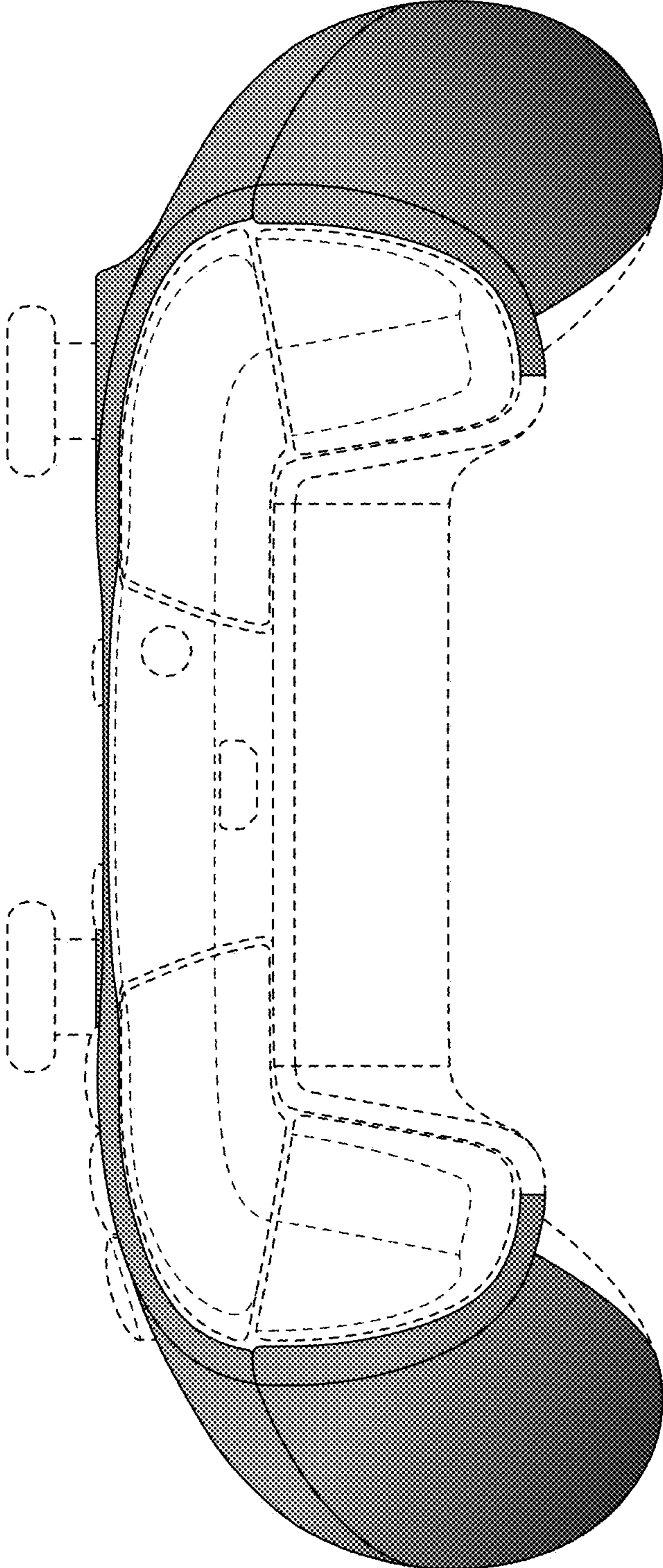


FIG. 11

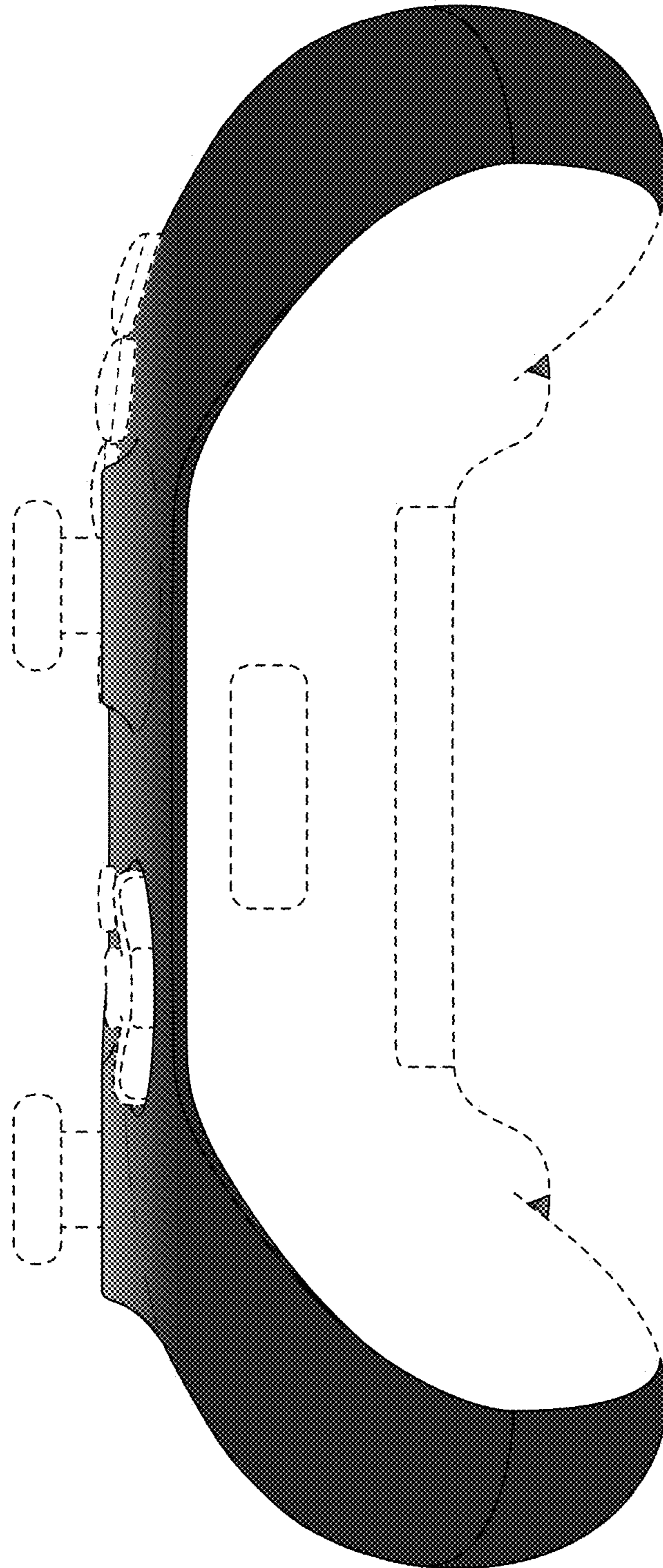


FIG. 12

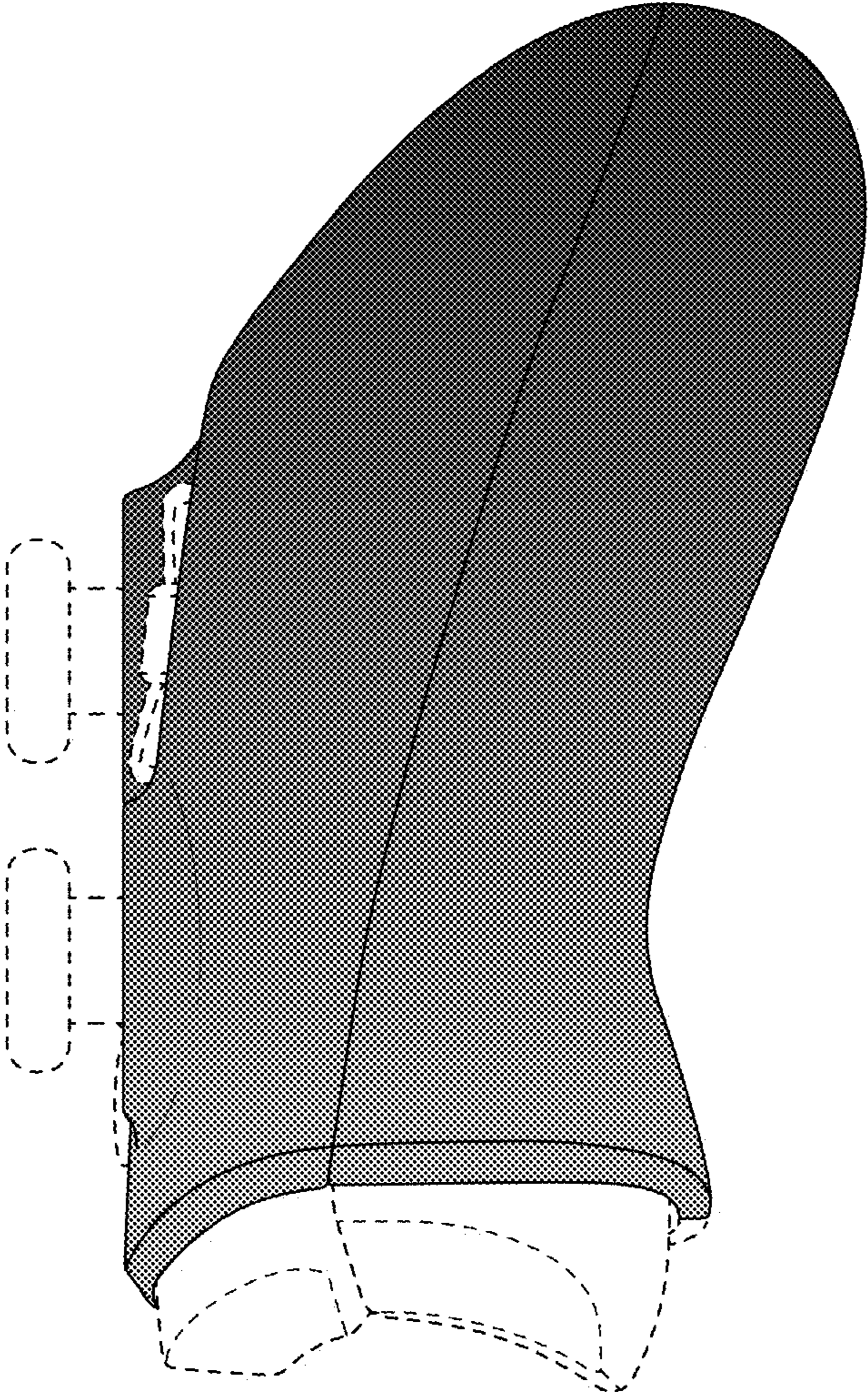


FIG. 13

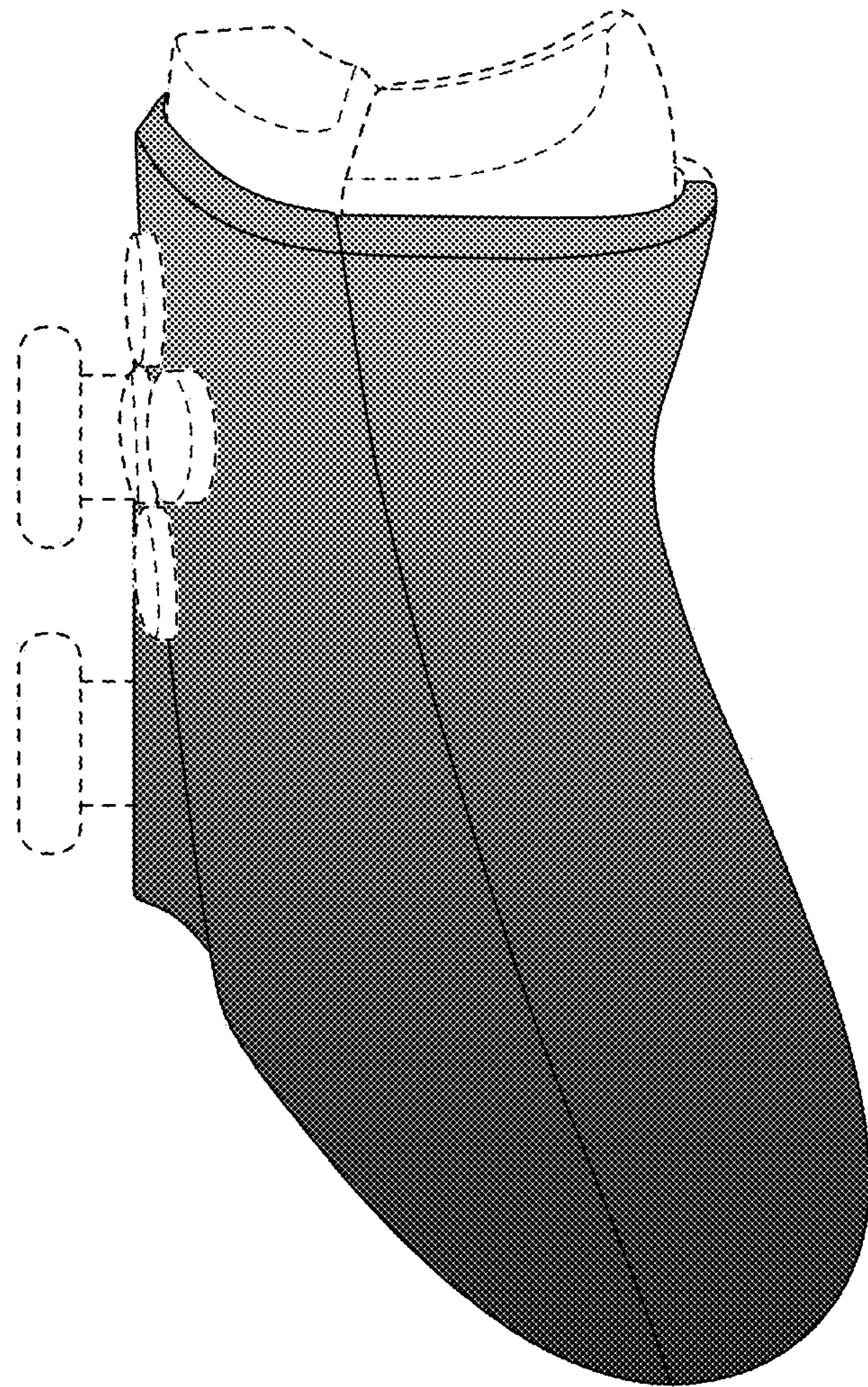


FIG. 14