



US00D788851S

(12) **United States Design Patent** (10) **Patent No.:** **US D788,851 S**
Pennington et al. (45) **Date of Patent:** **** Jun. 6, 2017**

(54) **CAP FOR A WRITING INSTRUMENT**

(71) Applicant: **Europe Brands S.à r.l.**, Luxembourg (LU)

(72) Inventors: **Stephen Pennington**, Kalamazoo, MI (US); **Ryan Heiser**, Kalamazoo, MI (US); **Jeffrey Browne**, Portage, MI (US)

(**) Term: **15 Years**

(21) Appl. No.: **29/545,269**

(22) Filed: **Nov. 11, 2015**

(30) **Foreign Application Priority Data**

Jun. 26, 2015 (EM) 001436547-0001

(51) **LOC (10) Cl.** **19-06**

(52) **U.S. Cl.**
USPC **D19/195**

(58) **Field of Classification Search**
USPC D14/411, 431, 480.3; D19/115–204
CPC . B43K 5/005; B43K 7/00; B43K 7/12; B43K 8/04; B43K 8/06; B43K 19/00; B43K 19/02; B43K 19/14; B43K 24/08; B43K 24/084
See application file for complete search history.

(56) **References Cited**

U.S. PATENT DOCUMENTS

| | | | | |
|--------------|--------|------------|-------|---------|
| D338,491 S * | 8/1993 | Hollington | | D19/170 |
| D355,439 S * | 2/1995 | Hollington | | D19/168 |
| D372,048 S * | 7/1996 | Hollington | | D19/168 |
| D378,763 S * | 4/1997 | Hollington | | D19/174 |
| D425,119 S * | 5/2000 | Andrews | | D19/168 |
| D438,245 S * | 2/2001 | Hollington | | D19/175 |
| D438,246 S * | 2/2001 | Hollington | | D19/175 |
| D438,247 S * | 2/2001 | Polidoro | | D19/197 |

| | | | | |
|--------------|---------|------------|-------|---------|
| D438,248 S * | 2/2001 | Hollington | | D19/196 |
| D438,249 S * | 2/2001 | Hollington | | D19/196 |
| D477,026 S * | 7/2003 | Stropkay | | D19/170 |
| D490,464 S * | 5/2004 | Andrews | | D19/168 |
| D494,621 S * | 8/2004 | Andrews | | D19/196 |
| D507,303 S * | 7/2005 | Andrews | | D19/196 |
| D521,067 S * | 5/2006 | Andrews | | D19/175 |
| D525,303 S * | 7/2006 | Andrews | | D19/167 |
| D585,937 S * | 2/2009 | Dhesse | | D19/170 |
| D591,349 S * | 4/2009 | Delancourt | | D19/170 |
| D592,247 S * | 5/2009 | Brown | | D19/168 |
| D597,136 S * | 7/2009 | Dhesse | | D19/197 |
| D600,281 S * | 9/2009 | Delancourt | | D19/170 |
| D671,169 S * | 11/2012 | Kermoal | | D19/168 |
| D682,353 S * | 5/2013 | Kermoal | | D19/164 |
| D682,934 S * | 5/2013 | Kermoal | | D19/164 |
| D703,269 S * | 4/2014 | Kermoal | | D19/168 |
| D707,291 S * | 6/2014 | Kermoal | | D19/164 |

* cited by examiner

Primary Examiner — Elizabeth Albert

(74) *Attorney, Agent, or Firm* — Europe Brands S.à r.l

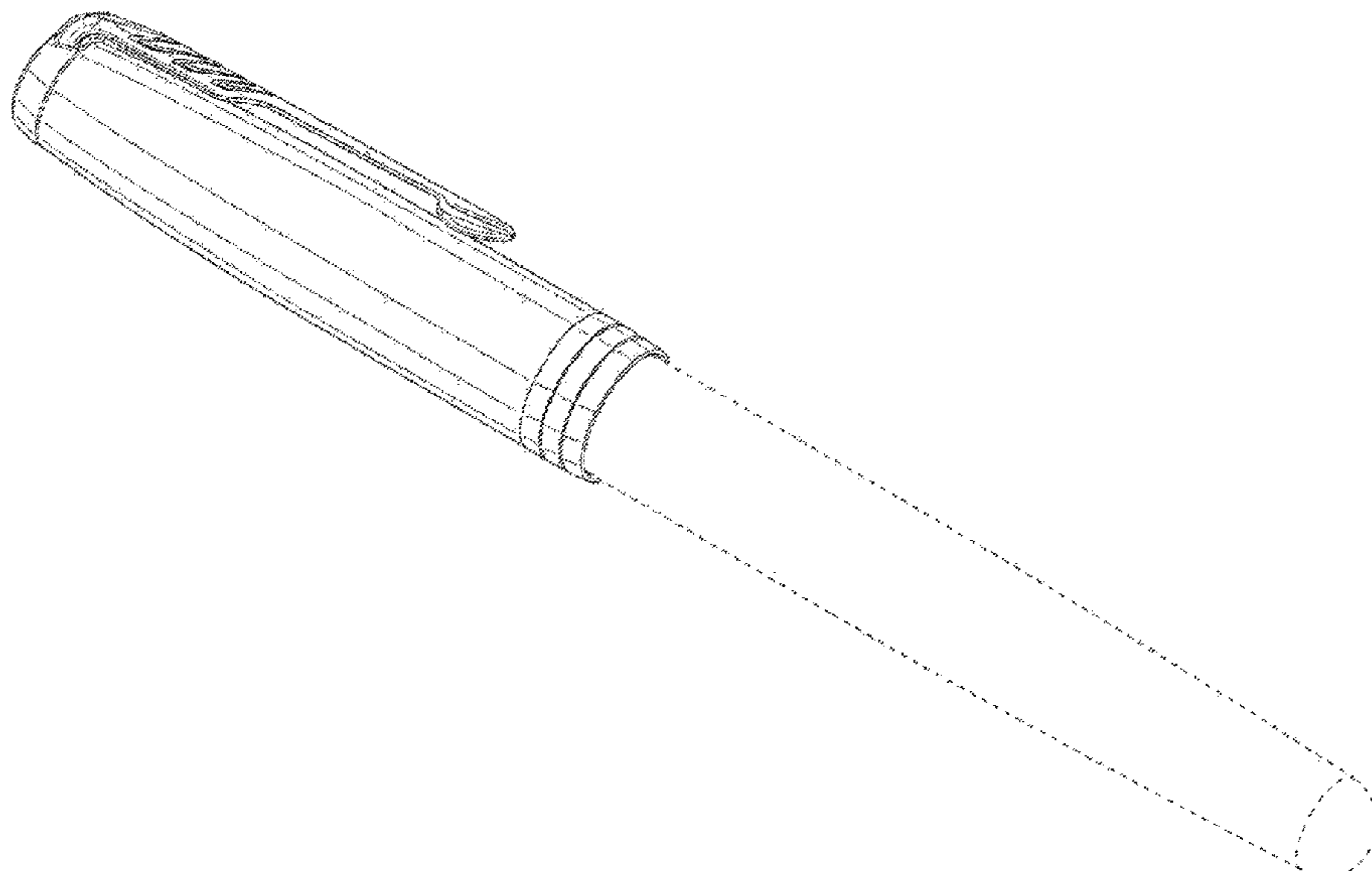
(57) **CLAIM**

The ornamental design for a “cap for a writing instrument,” as shown and described.

DESCRIPTION

FIG. 1 is a perspective view of a cap for a writing instrument showing a new design;
FIG. 2 is a front view thereof;
FIG. 3 is a back view thereof;
FIG. 4 is a left view thereof;
FIG. 5 is a right view thereof;
FIG. 6 is a top view thereof; and,
FIG. 7 is a bottom view thereof.
The subject matter shown in broken lines is included to show portions of the writing instrument that form no part of the claimed design.

1 Claim, 4 Drawing Sheets



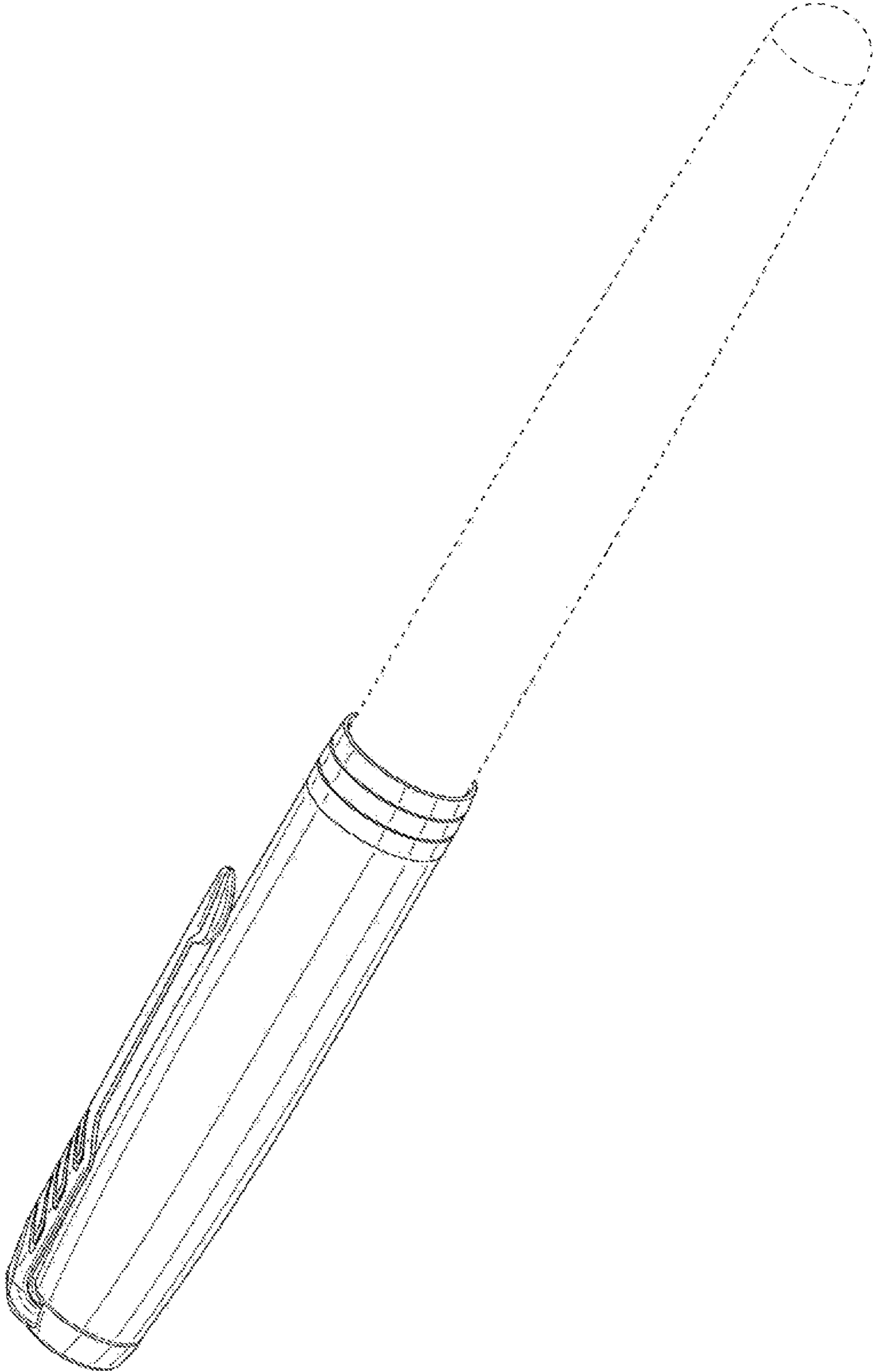


FIG. 1

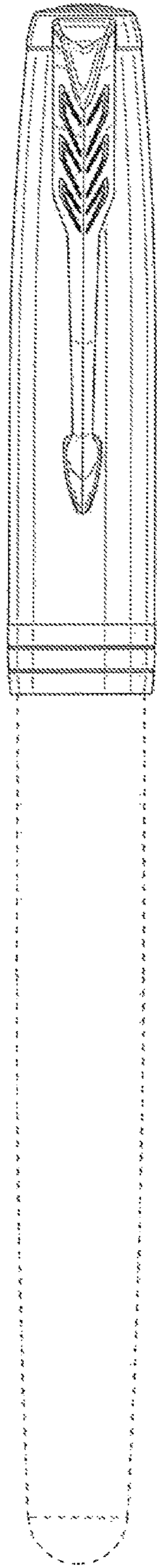


FIG. 2

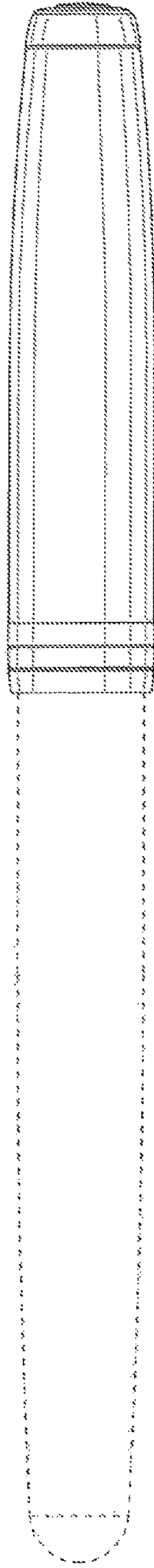


FIG. 3

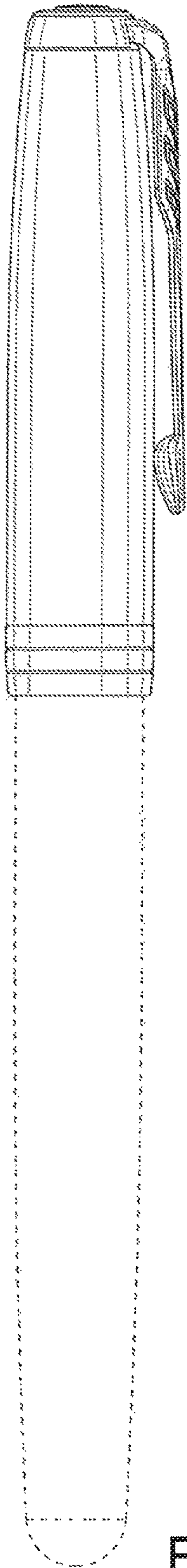


FIG. 4

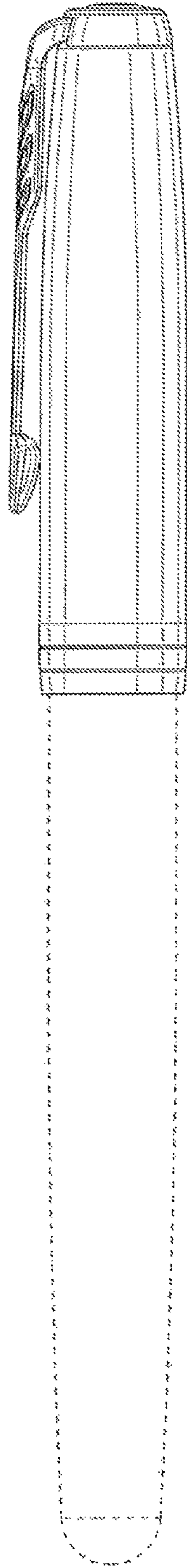


FIG. 5

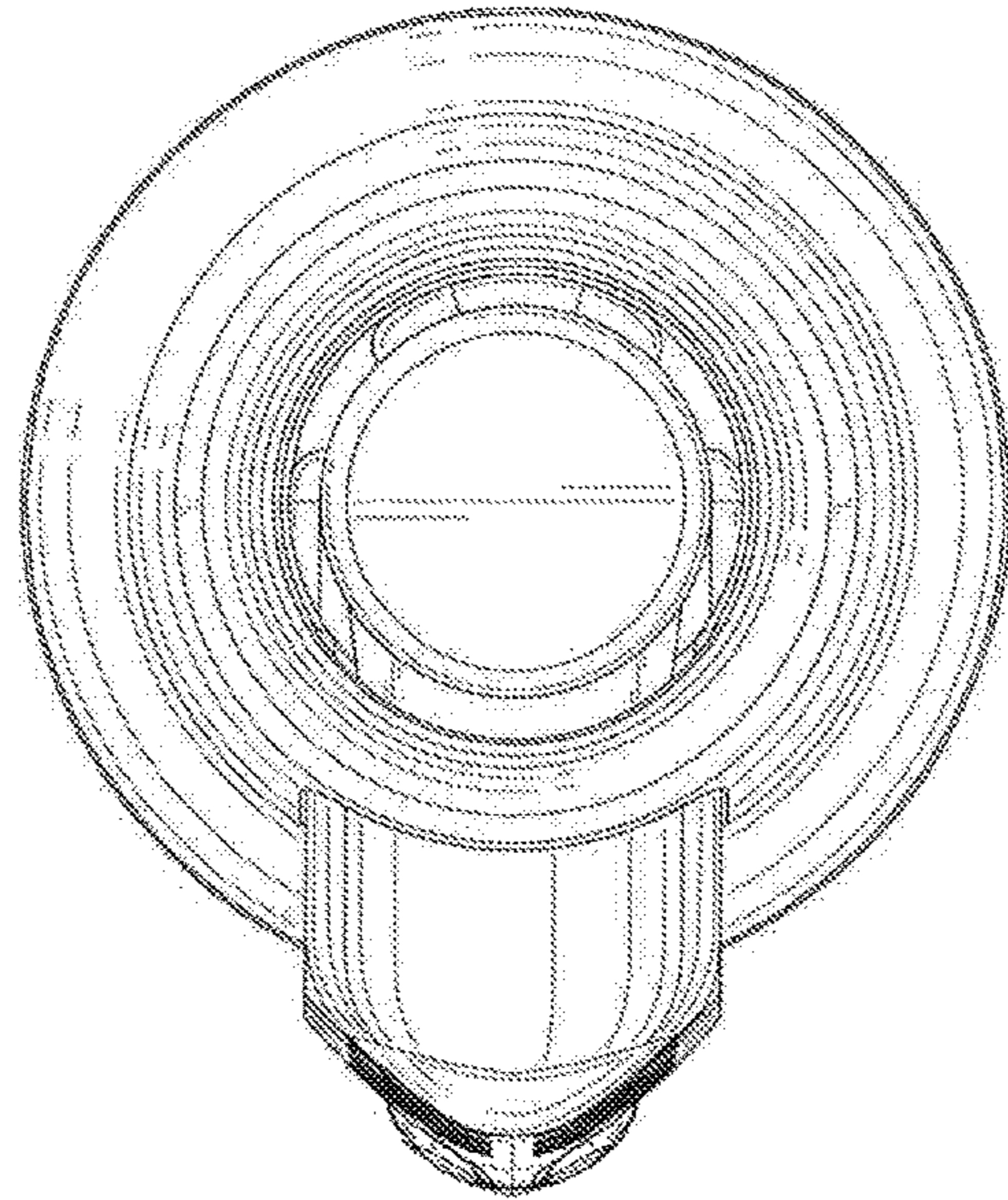


FIG. 6

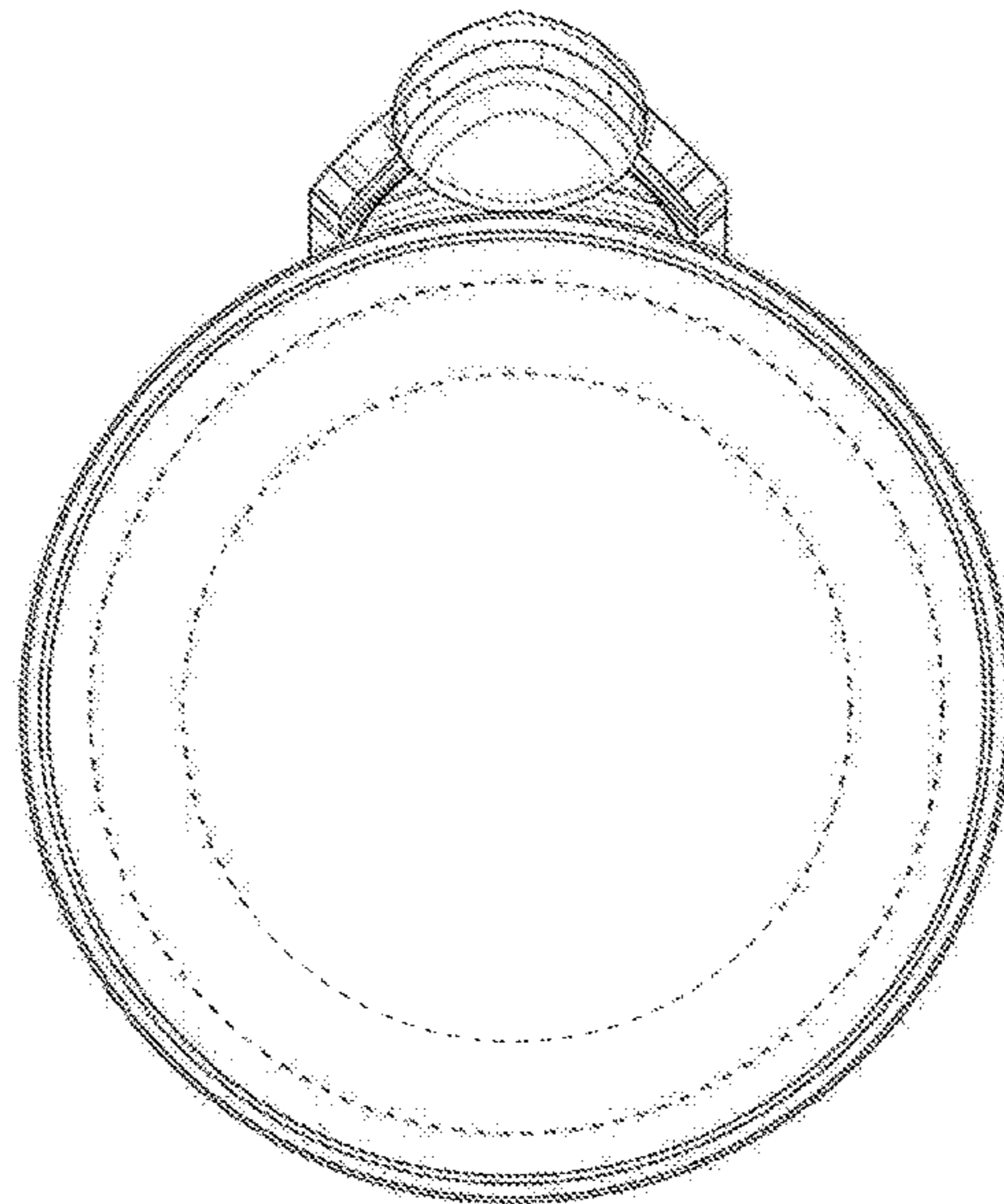


FIG. 7