



US00D788843S

(12) **United States Design Patent**
Lee et al.

(10) **Patent No.:** **US D788,843 S**
(45) **Date of Patent:** **** Jun. 6, 2017**

(54) **PRINTER**
(71) Applicant: **Samsung Electronics Co., Ltd.**,
Suwon-si (KR)
(72) Inventors: **Sang In Lee**, Seoul (KR); **Seung Wook Jeong**, Seoul (KR); **Soo Hwan Bae**,
Yongin-si (KR); **Yu Jin Oh**, Anyang-si
(KR)
(73) Assignee: **S-PRINTING SOLUTION CO., LTD.**,
Gyeonggi-Do (KR)

D393,278 S * 4/1998 Lee D18/14
D523,072 S * 6/2006 Lee D18/14
7,704,000 B2 * 4/2010 Bryant B41J 3/36
271/145
D631,268 S * 1/2011 Yang D6/518
8,567,637 B2 * 10/2013 Mori B41J 3/46
220/827
D711,463 S * 8/2014 Costabeber D18/50
D722,109 S * 2/2015 Nanno D18/50
D735,267 S * 7/2015 Chung D18/50
D735,268 S * 7/2015 Sato D18/55

* cited by examiner

(**) Term: **15 Years**

Primary Examiner — Cathy Anne MacCormac

(21) Appl. No.: **29/533,946**

(74) Attorney, Agent, or Firm — Cantor Colburn LLP

(22) Filed: **Jul. 23, 2015**

(30) **Foreign Application Priority Data**

Feb. 11, 2015 (KR) 30-2015-0007473

(51) **LOC (10) Cl.** **14-02**

(52) **U.S. Cl.**
USPC **D18/55**

(58) **Field of Classification Search**
USPC D18/6-7, 14, 19, 50, 54, 54.1, 55;
D14/420-425
CPC ... B41J 3/36; B41J 3/4075; B41J 11/58; B41J
13/00; B41J 15/00; B41J 15/02; B41J
15/042; B41J 17/00; B41J 29/00; B41J
29/02; B41J 29/08; B41J 29/13; G06F
3/12; G06K 15/14

See application file for complete search history.

(56) **References Cited**

U.S. PATENT DOCUMENTS

D276,235 S * 11/1984 Dorman D18/54
5,224,786 A * 7/1993 Takagi B41J 3/4075
D18/50

(57) **CLAIM**

We claim the ornamental design for a printer, as shown and described.

DESCRIPTION

FIG. 1 is a front perspective view of a printer showing our new design;
FIG. 2 is a front view thereof;
FIG. 3 is a rear view thereof;
FIG. 4 is a left-side view thereof;
FIG. 5 is a right-side view thereof;
FIG. 6 is a top view thereof;
FIG. 7 is a bottom view thereof; and,
FIG. 8 is an enlarged cross-sectional view thereof taken along line 8-8 on FIG. 6.
The broken lines depict environmental subject matter and form no part of the claimed design.

1 Claim, 5 Drawing Sheets

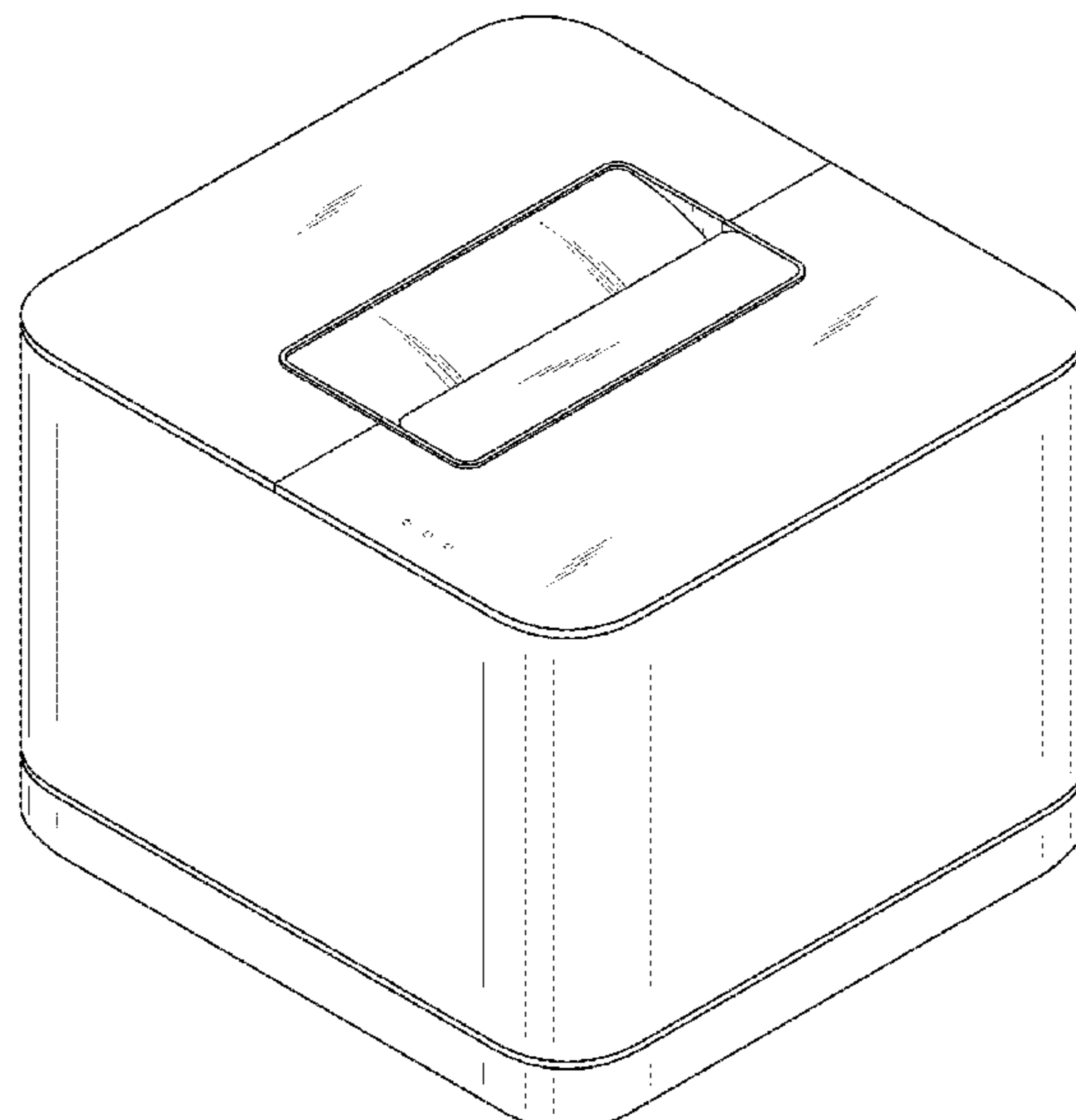


FIG. 1

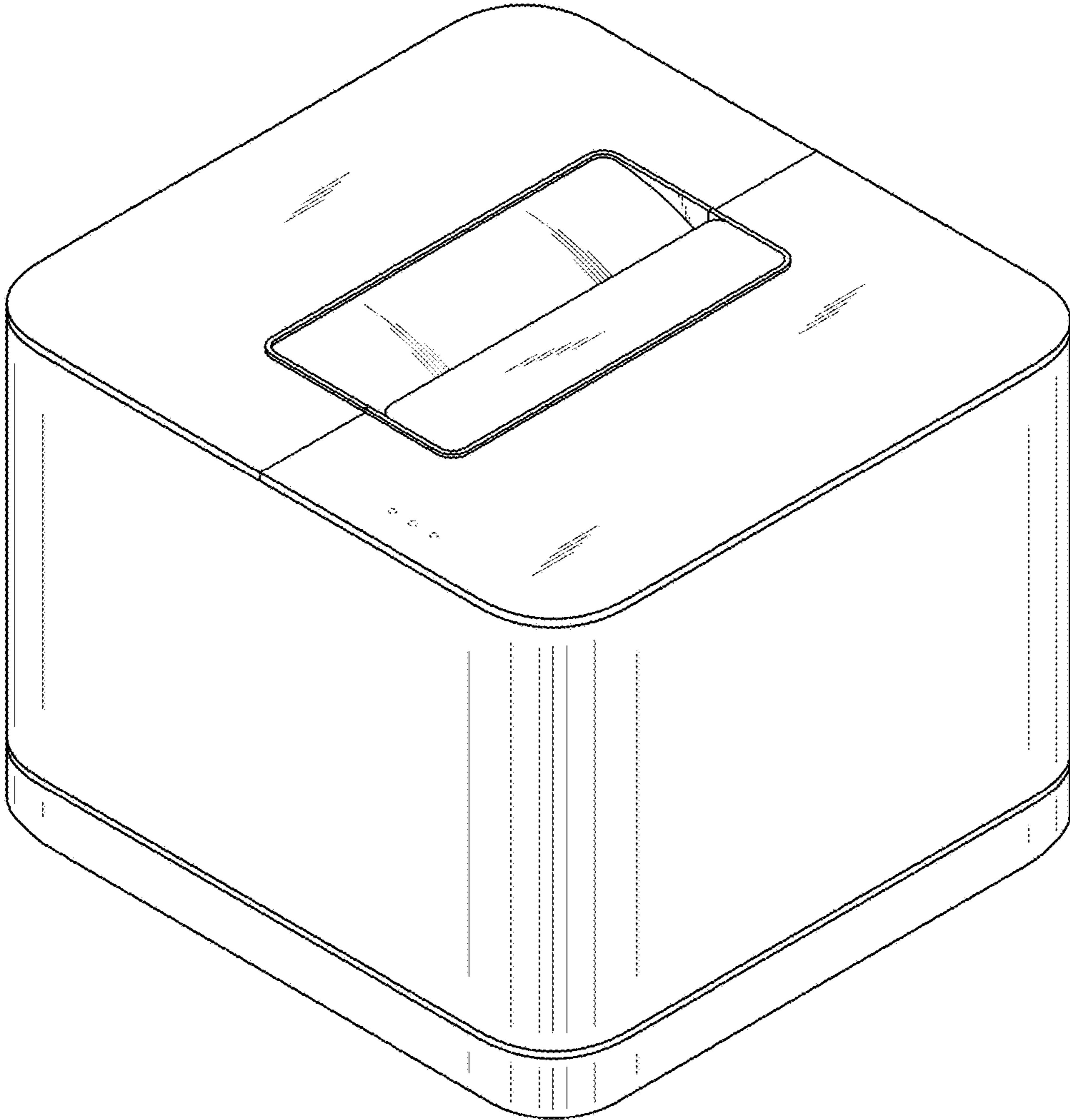


FIG.2

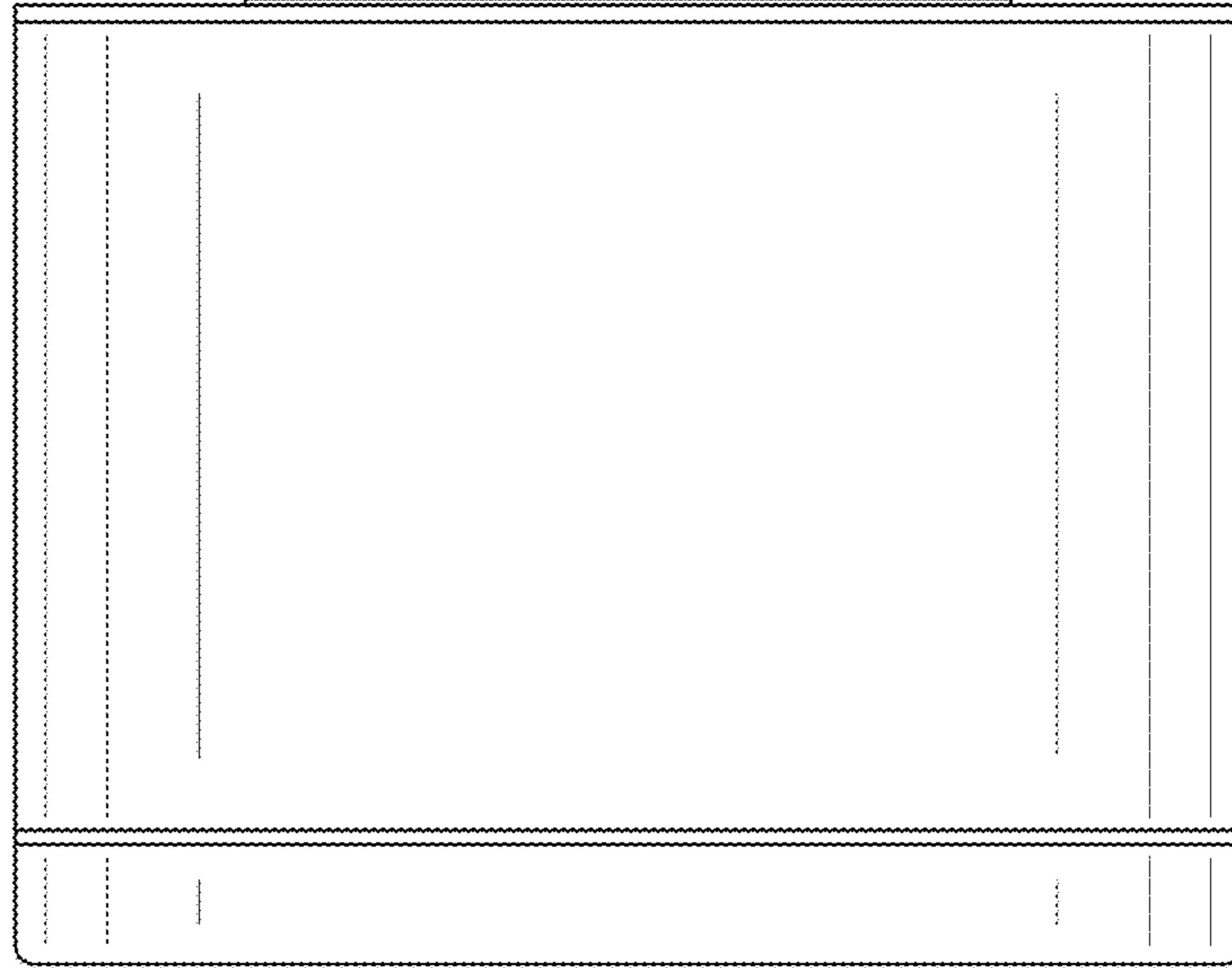


FIG.3

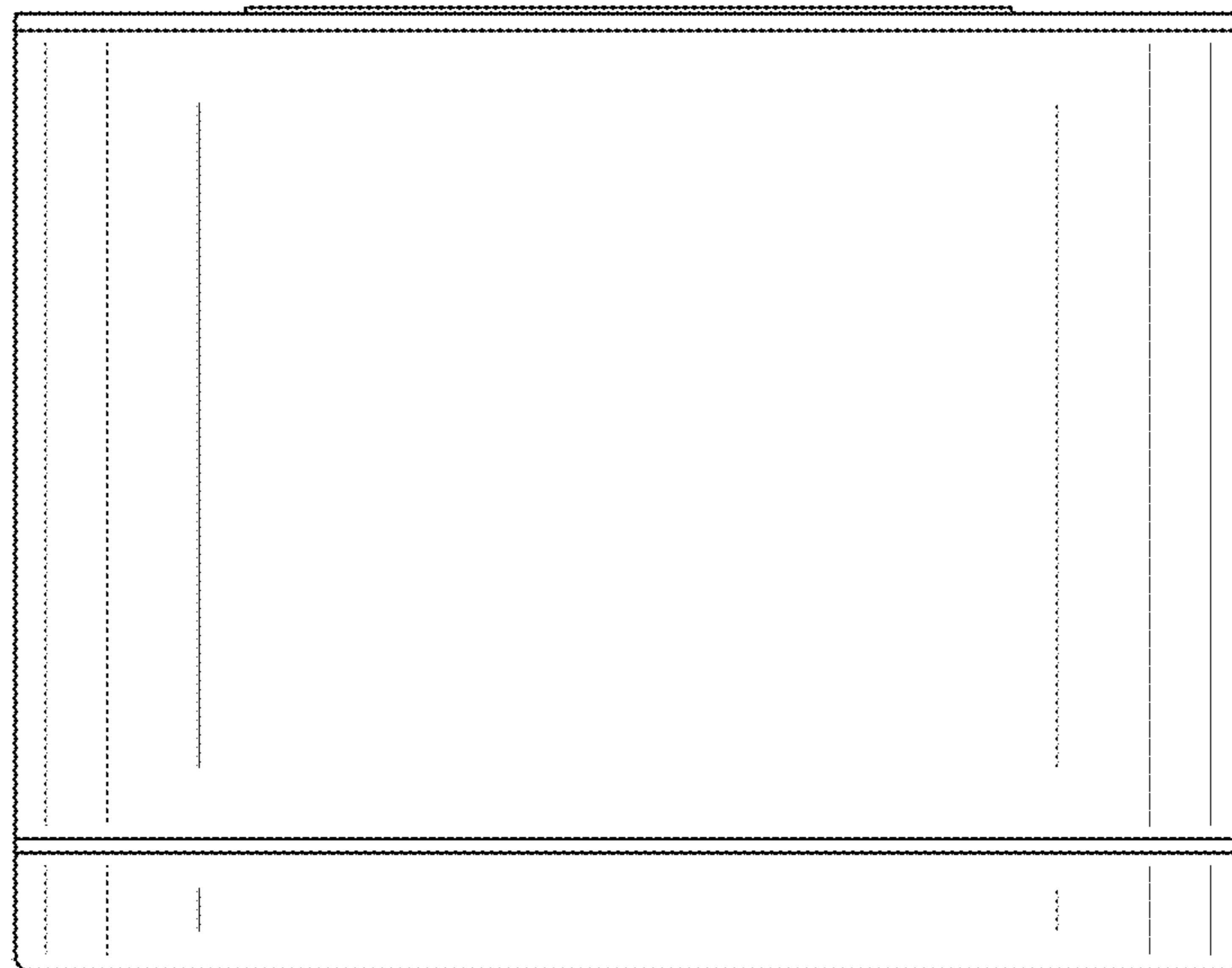


FIG.4

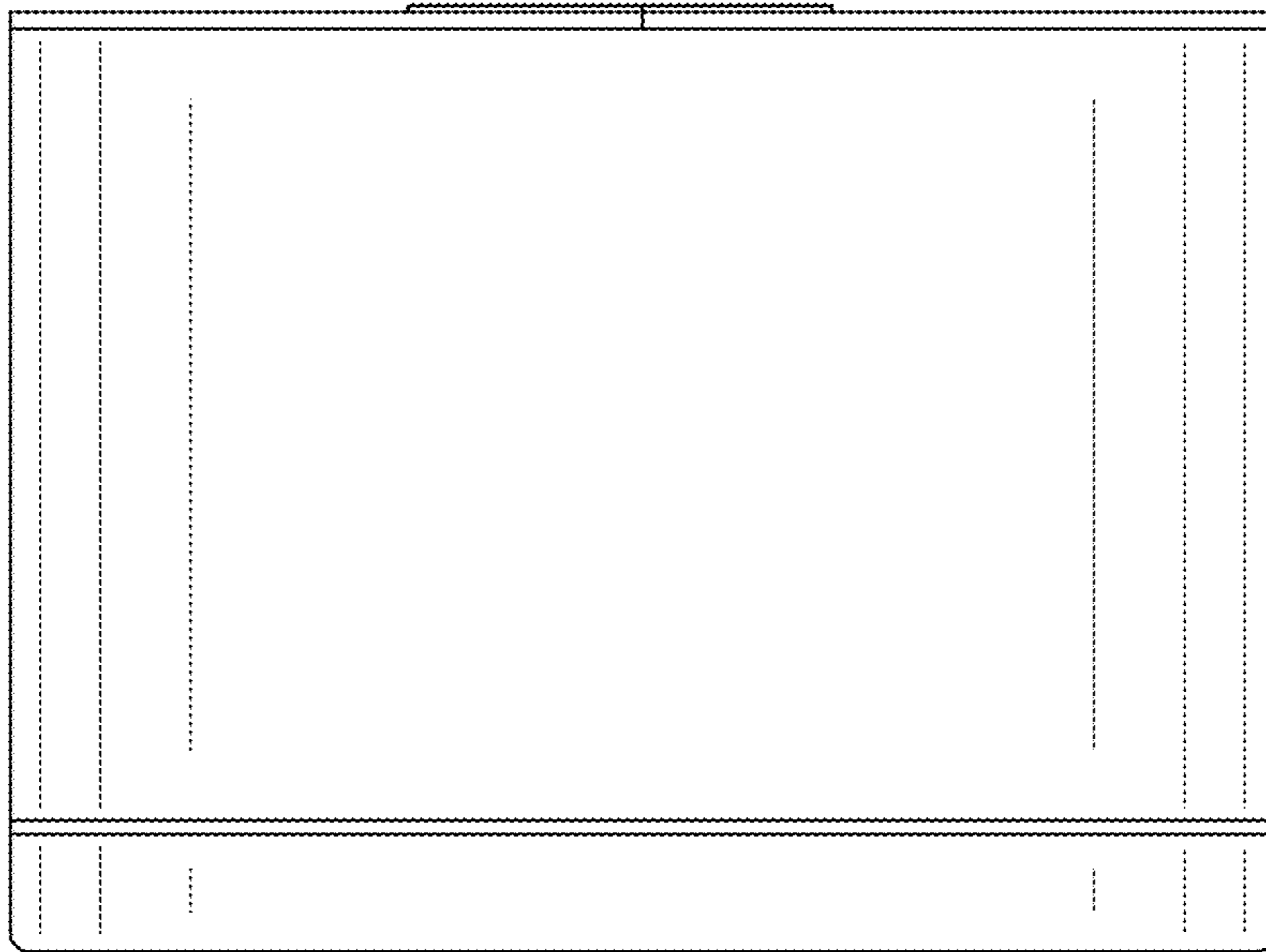


FIG.5

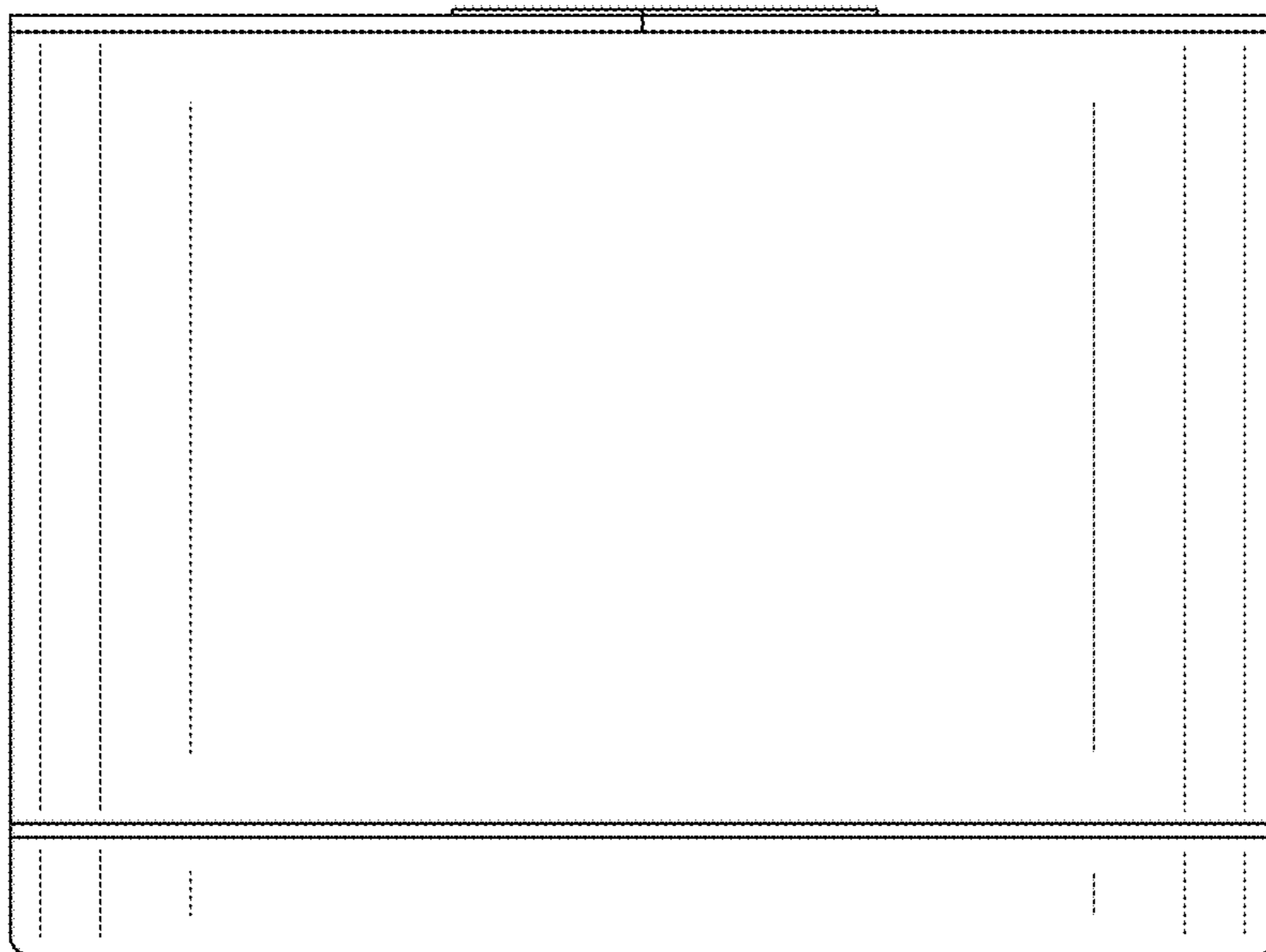


FIG.6

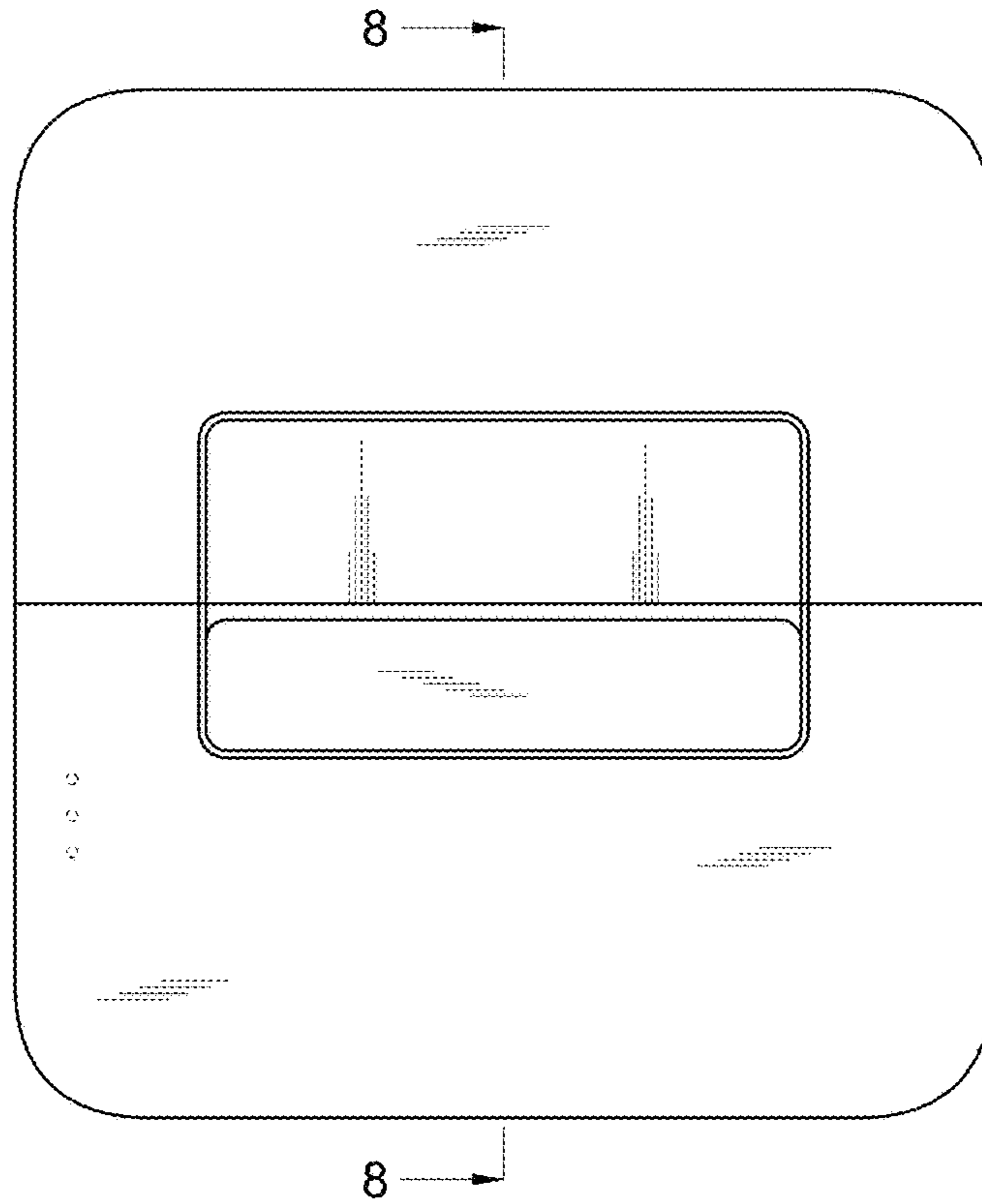


FIG.7

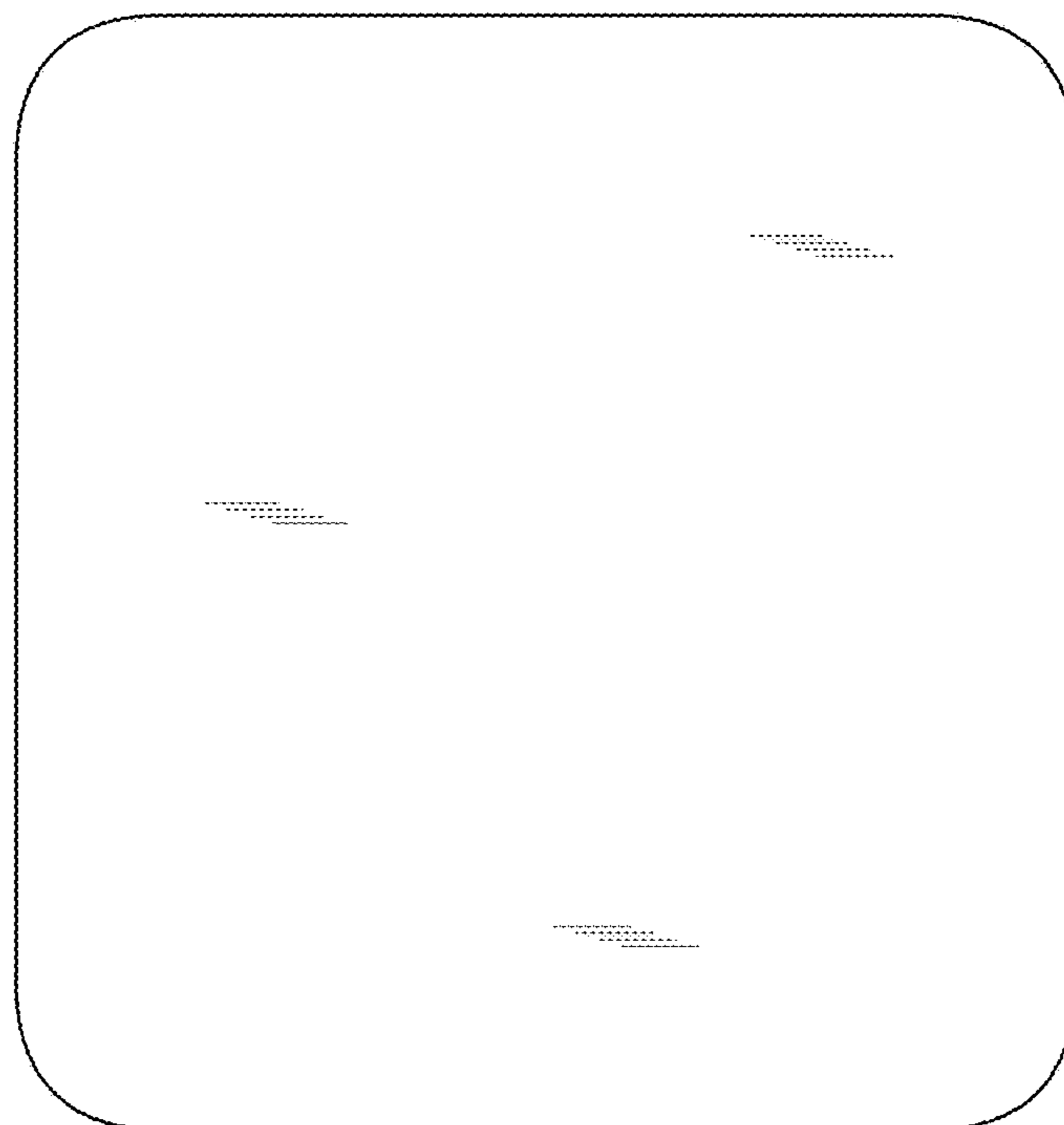


FIG.8

