



US00D788842S

(12) **United States Design Patent** (10) **Patent No.:** **US D788,842 S**
Sue (45) **Date of Patent:** **** Jun. 6, 2017**

(54) **TONER CARTRIDGE**
(71) Applicant: **KYOCERA Document Solutions Inc.**,
Osaka (JP)
(72) Inventor: **Tomohiro Sue**, Osaka (JP)
(73) Assignee: **KYOCERA DOCUMENT SOLUTIONS INC.**, Osaka (JP)

D648,776 S * 11/2011 Saito D18/43
D648,777 S * 11/2011 Saito D18/43
D648,778 S * 11/2011 Saito D18/43
D648,779 S * 11/2011 Saito D18/43
D759,154 S * 6/2016 Williamson D18/43
D759,155 S * 6/2016 Williamson D18/43
D759,156 S * 6/2016 Williamson D18/43
D759,157 S * 6/2016 Williamson D18/43

* cited by examiner

(**) Term: **15 Years**

Primary Examiner — Cynthia Ramirez

Assistant Examiner — Michael Maharajh

(21) Appl. No.: **29/568,122**

(74) *Attorney, Agent, or Firm* — Young & Thompson

(22) Filed: **Jun. 15, 2016**

(51) **LOC (10) Cl.** **16-03**

(57) **CLAIM**

(52) **U.S. Cl.**
USPC **D18/43**

The ornamental design for a toner cartridge, as shown and described.

(58) **Field of Classification Search**
USPC D18/12, 36, 37, 39, 40, 41, 43, 44, 45,
D18/46, 47, 49, 50, 51, 52, 53, 54, 55,
D18/56; D14/462, 463, 464, 465, 466,
D14/467, 468, 469, 470, 471, 301, 307,
D14/129, 130; 347/207, 214, 222;
400/207; 399/24–28, 107–112, 119
CPC ... B41J 2/17546; B41J 2/01; B41J 2/17; B41J
2/17506; B41J 2/17513; B41J 2/1753;
B41J 2/17543; B41J 2/1755; B41J
2/17553

DESCRIPTION

FIG. 1 is a perspective view of front, left and top of toner cartridge showing my new design;
FIG. 2 is a front view thereof;
FIG. 3 is a rear view thereof;
FIG. 4 is a left side view thereof;
FIG. 5 is a right side view thereof;
FIG. 6 is a top plan view thereof; and,
FIG. 7 is a bottom plan view thereof.

See application file for complete search history.

The Broken lines shown in the figures are for the purpose of illustrating portions of the toner cartridge and form no part of the claimed design. The dot-dashed lines in the figures are for the purpose of showing boundaries of the design and form no part of the claimed design.

(56) **References Cited**

U.S. PATENT DOCUMENTS

7,672,624 B2 * 3/2010 Dawson G03G 15/0877
399/120
D644,683 S * 9/2011 Kawai D18/43

1 Claim, 7 Drawing Sheets

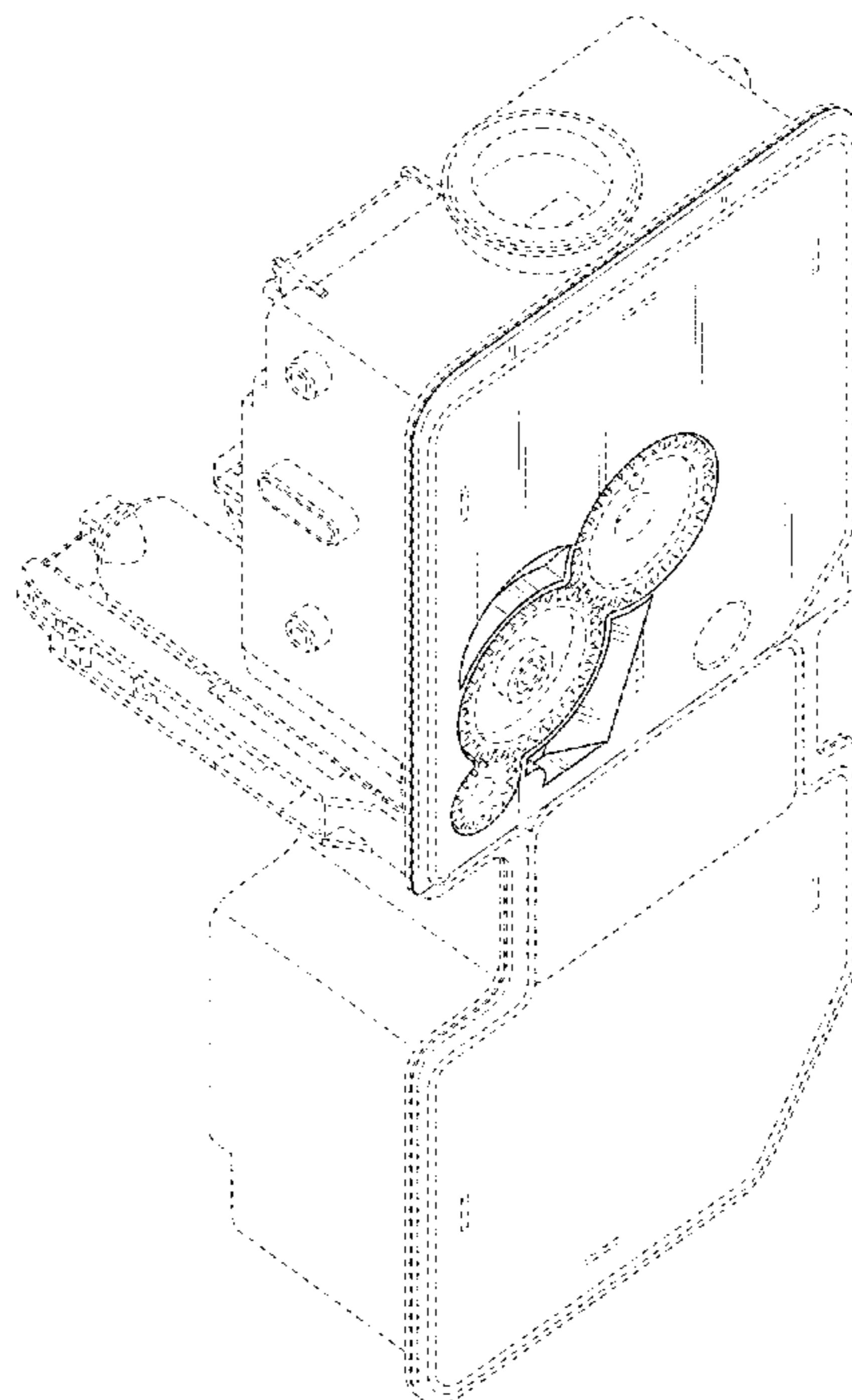


Fig. 1

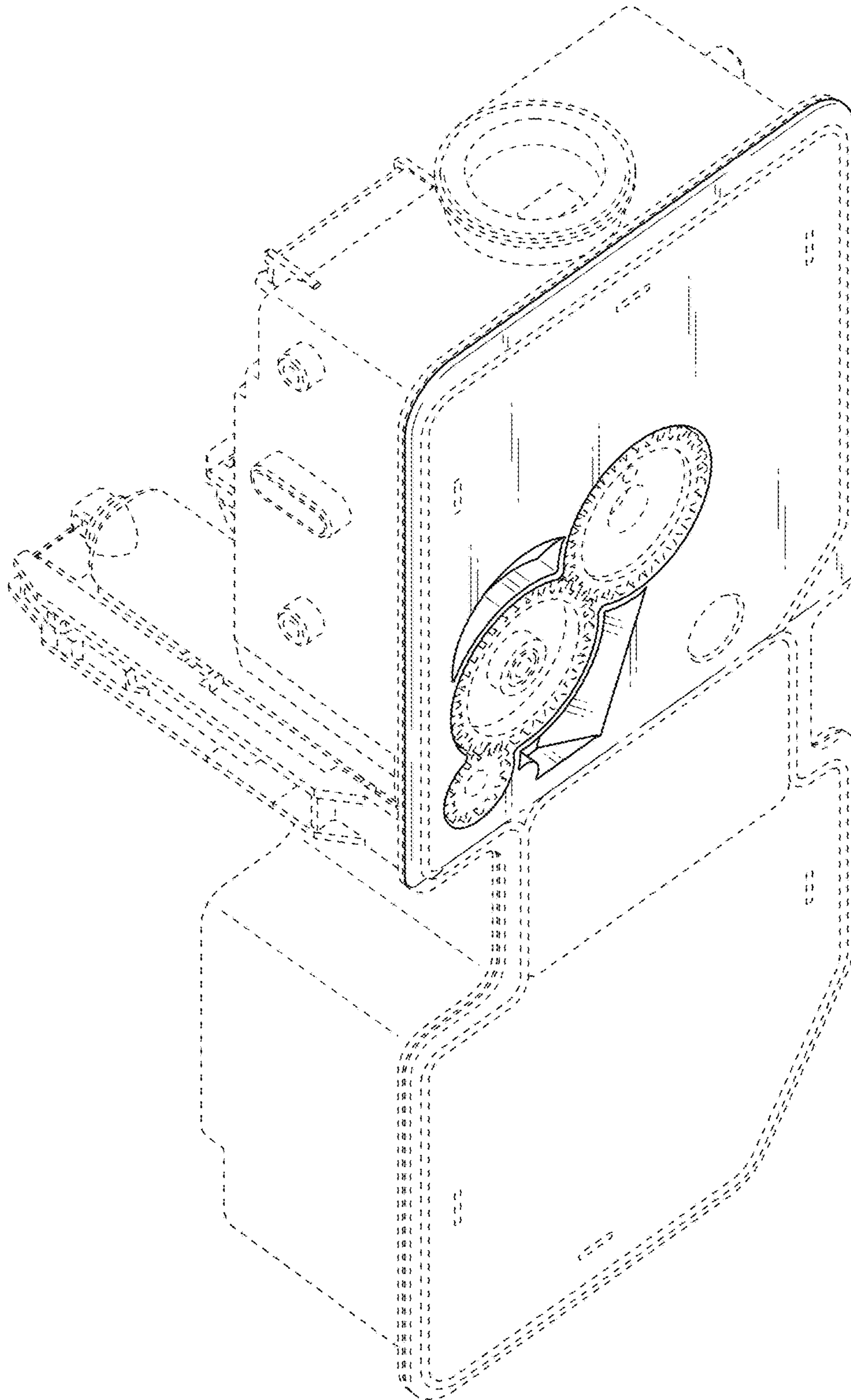


Fig. 2

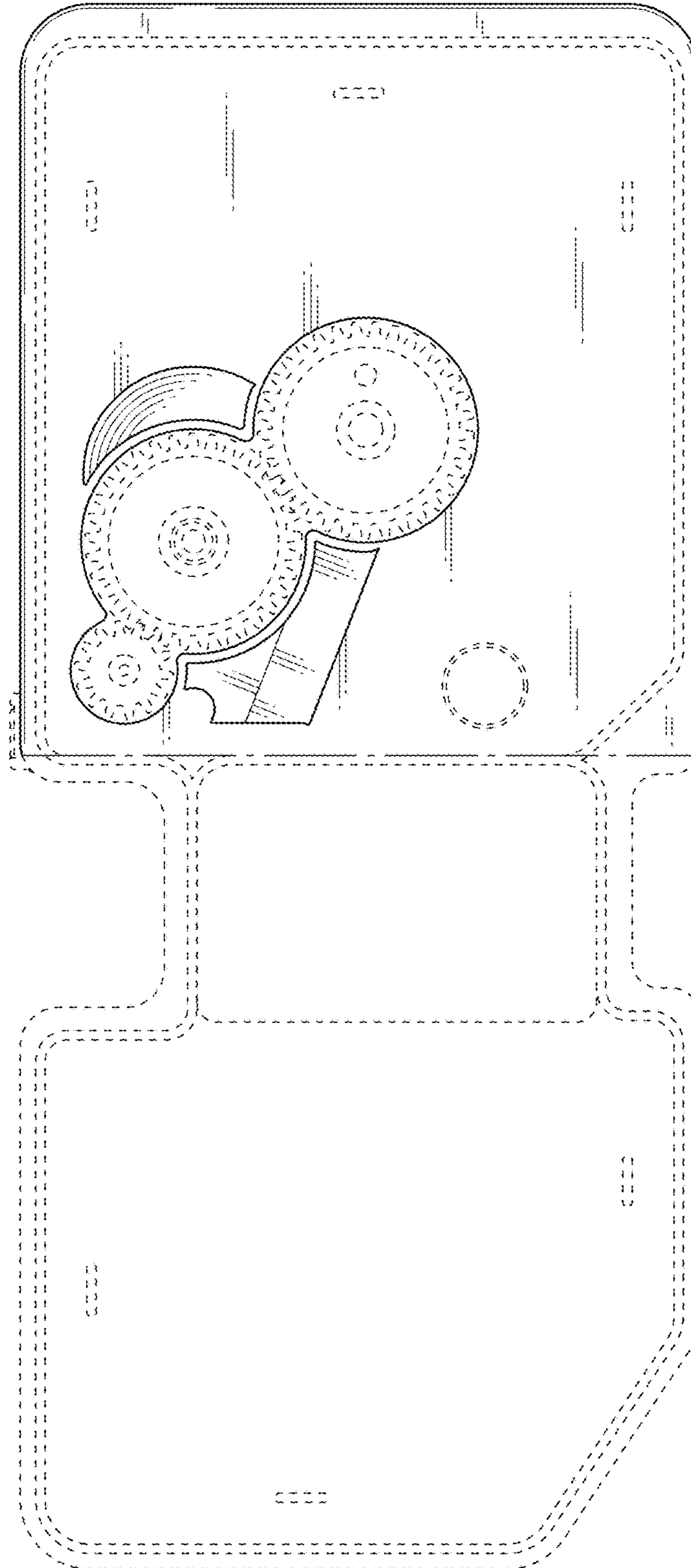


Fig. 3

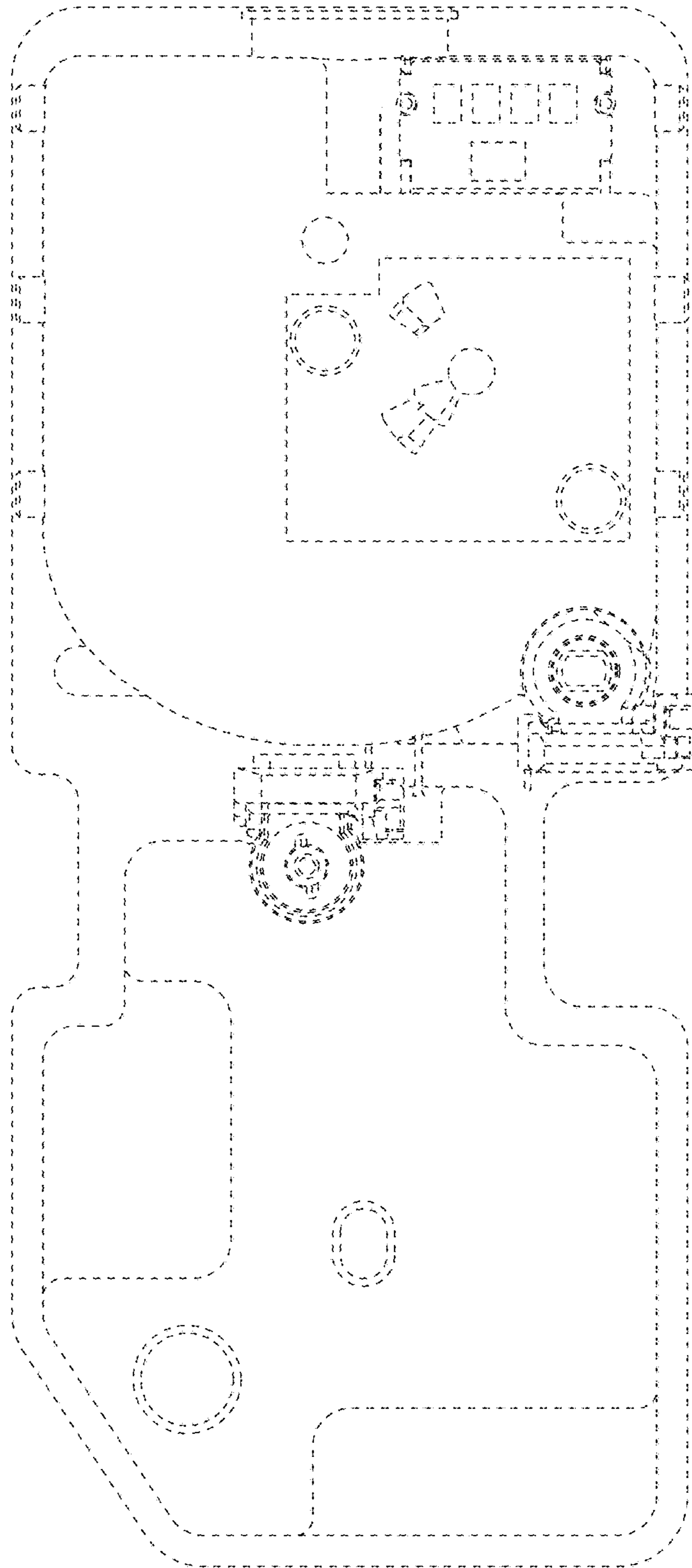


Fig. 4

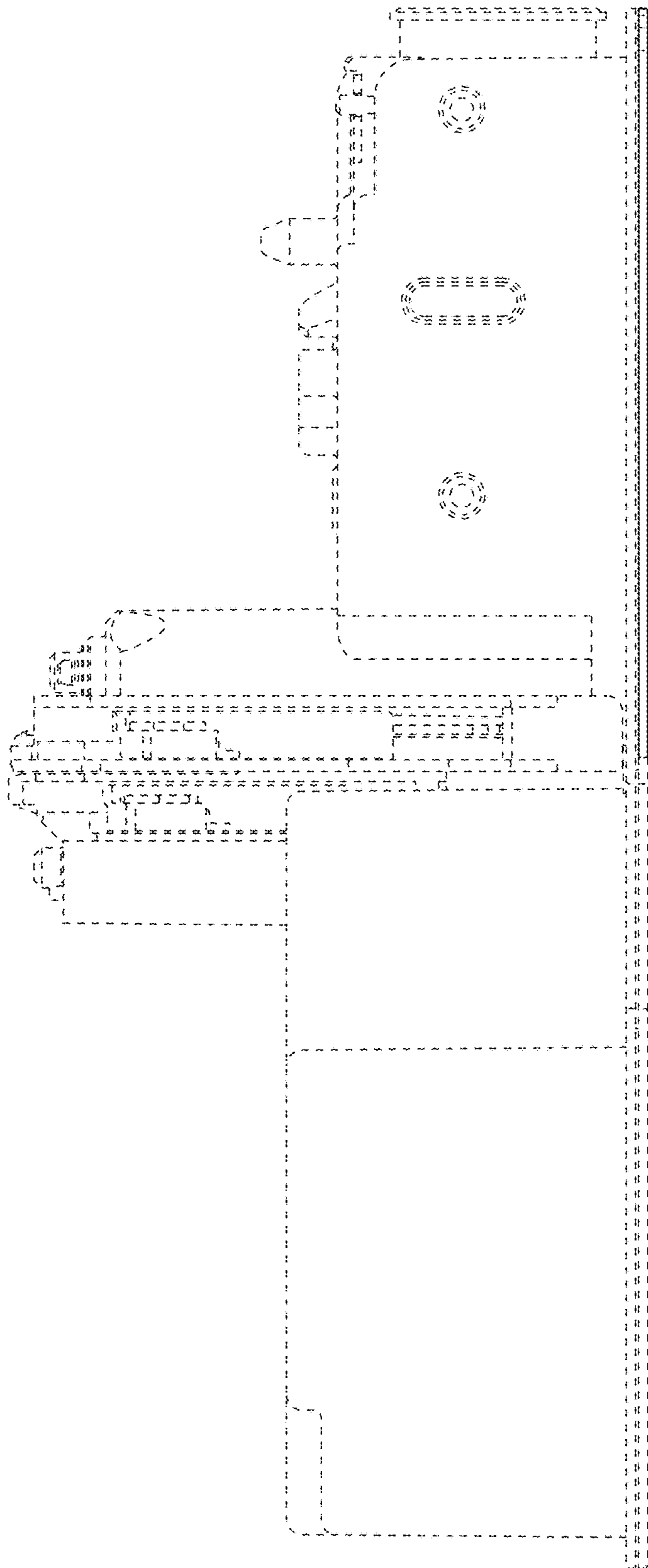


Fig. 5

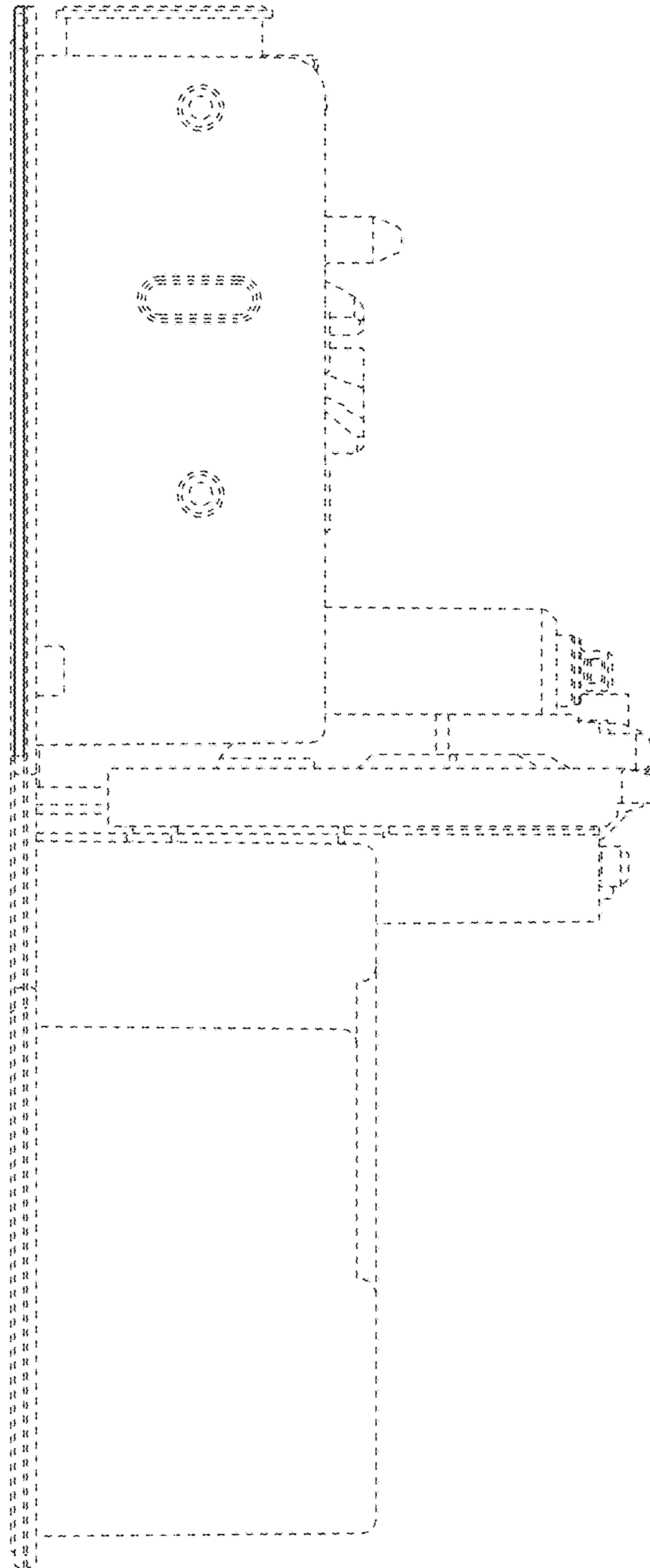


Fig. 6

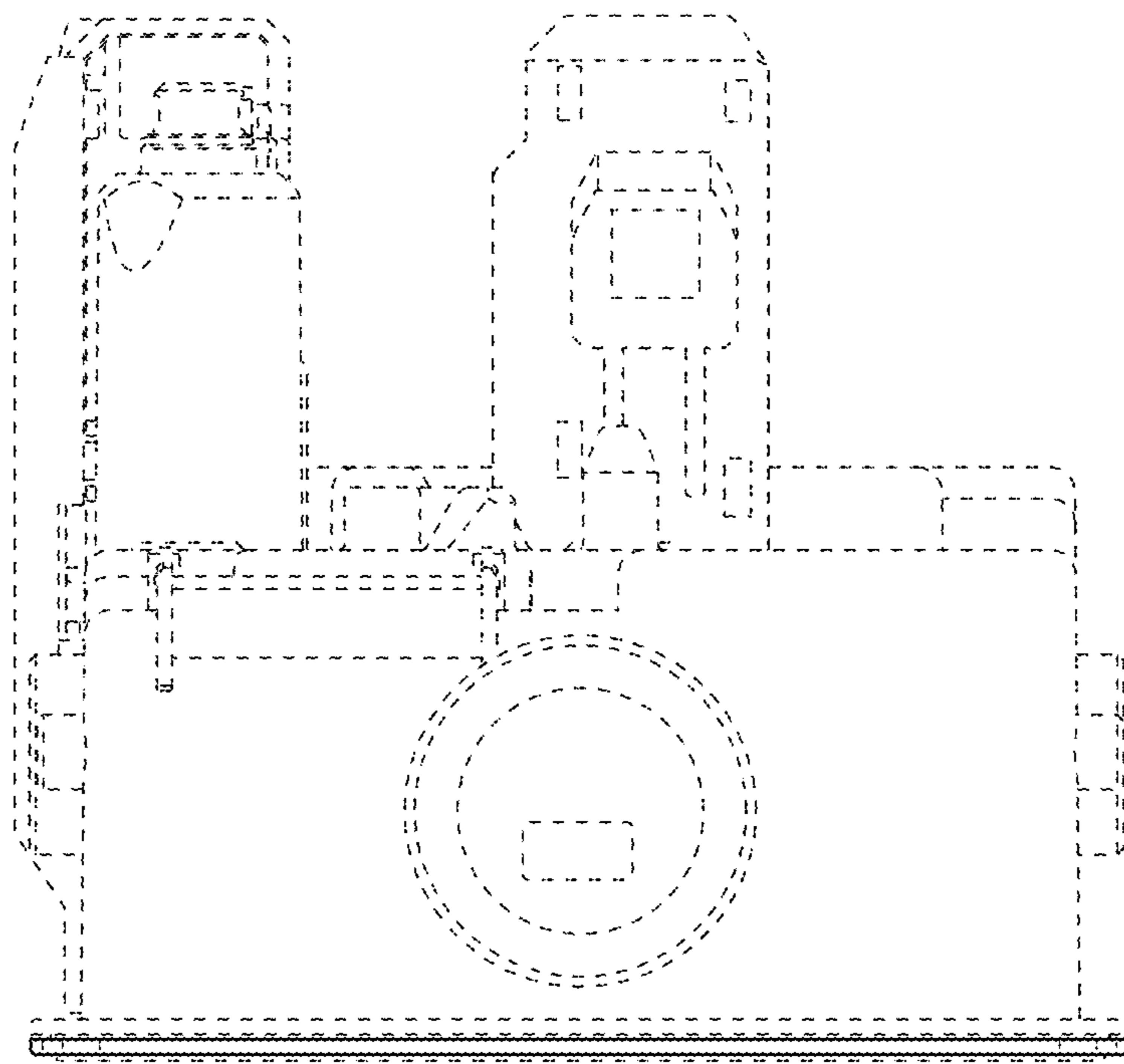


Fig. 7

