



US00D788841S

(12) **United States Design Patent** (10) **Patent No.:** **US D788,841 S**  
**Sue** (45) **Date of Patent:** **\*\* Jun. 6, 2017**

(54) **TONER CARTRIDGE**

(71) Applicant: **KYOCERA Document Solutions Inc.**,  
Osaka (JP)

(72) Inventor: **Tomohiro Sue**, Osaka (JP)

(73) Assignee: **KYOCERA DOCUMENT SOLUTIONS INC.**, Osaka (JP)

(\*\*) Term: **15 Years**

(21) Appl. No.: **29/568,109**

(22) Filed: **Jun. 15, 2016**

(51) **LOC (10) Cl.** ..... **16-03**

(52) **U.S. Cl.**  
USPC ..... **D18/43**

(58) **Field of Classification Search**  
USPC ..... D18/12, 36, 37, 39, 40, 41, 43, 44, 45,  
D18/46, 47, 49, 50, 51, 52, 53, 54, 55,  
D18/56; D14/462, 463, 464, 465, 466,  
D14/467, 468, 469, 470, 471, 301, 307,  
D14/129, 130; 347/207, 214, 222;  
400/207; 399/2-28, 107-112  
CPC ... B41J 2/17546; B41J 2/01; B41J 2/17; B41J  
2/17506; B41J 2/17513; B41J 2/1753;  
B41J 2/17543; B41J 2/1755; B41J  
2/17553

See application file for complete search history.

(56) **References Cited**

**U.S. PATENT DOCUMENTS**

7,672,624 B2 \* 3/2010 Dawson ..... G03G 15/0877  
399/120  
D644,683 S \* 9/2011 Kawai ..... D18/43

D648,776 S \* 11/2011 Saito ..... D18/43  
D648,777 S \* 11/2011 Saito ..... D18/43  
D648,778 S \* 11/2011 Saito ..... D18/43  
D648,779 S \* 11/2011 Saito ..... D18/43  
D759,154 S \* 6/2016 Williamson ..... D18/43  
D759,155 S \* 6/2016 Williamson ..... D18/43  
D759,156 S \* 6/2016 Williamson ..... D18/43  
D759,157 S \* 6/2016 Williamson ..... D18/43

\* cited by examiner

*Primary Examiner* — Cynthia Ramirez

*Assistant Examiner* — Michael Maharajh

(74) *Attorney, Agent, or Firm* — Young & Thompson

(57) **CLAIM**

The ornamental design for a toner cartridge, as shown and described.

**DESCRIPTION**

FIG. 1 is a perspective view of front, left and top of toner cartridge showing my new design;  
FIG. 2 is a front view thereof;  
FIG. 3 is a rear view thereof;  
FIG. 4 is a left side view thereof;  
FIG. 5 is a right side view thereof;  
FIG. 6 is a top plan view thereof; and,  
FIG. 7 is a bottom plan view thereof.  
The Broken lines shown in the figures are for the purpose of illustrating portions of the toner cartridge and form no part of the claimed design. The dot-dashed lines in the figures are for the purpose of showing boundaries of the design and form no part of the claimed design.

**1 Claim, 7 Drawing Sheets**

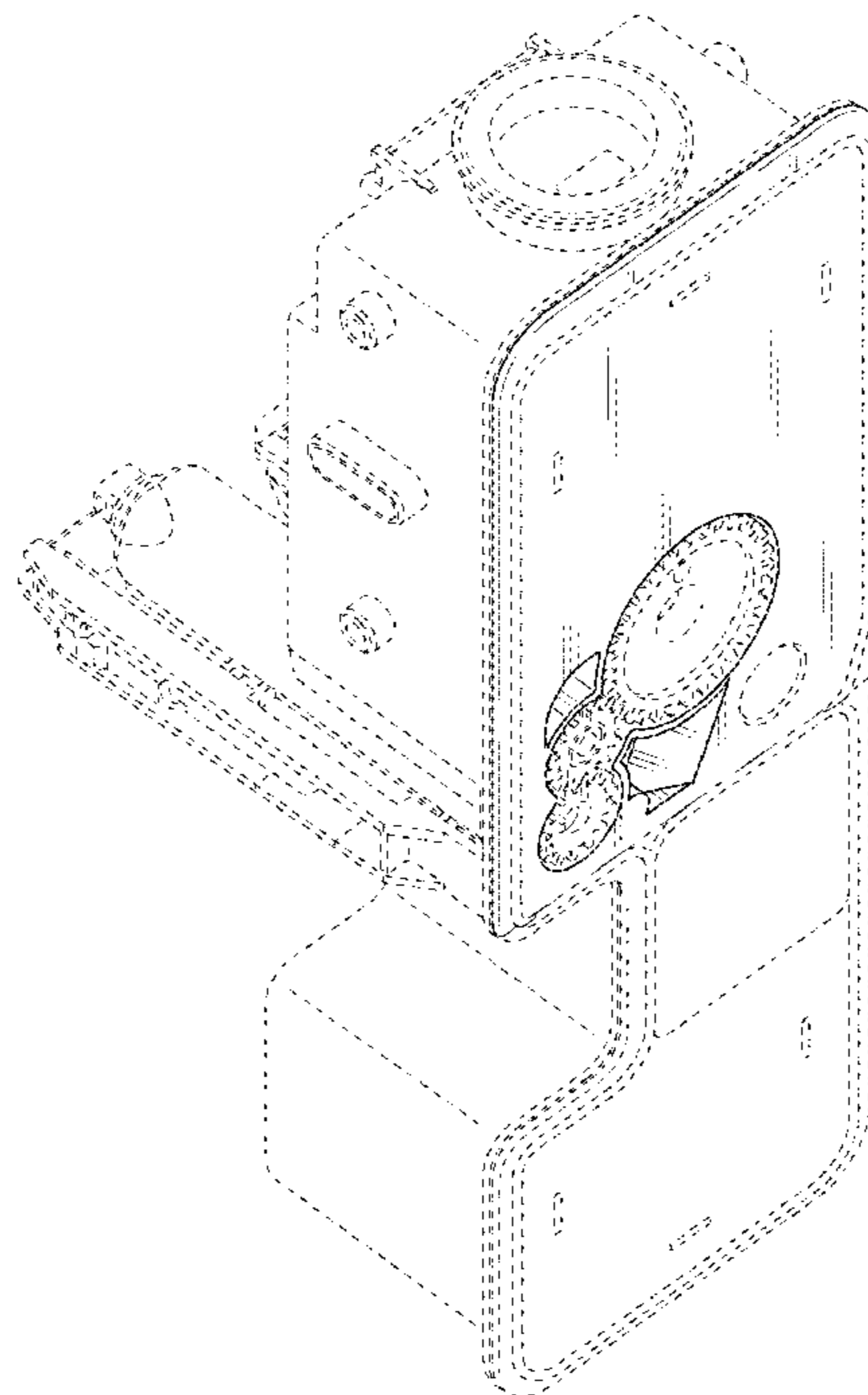


Fig. 1

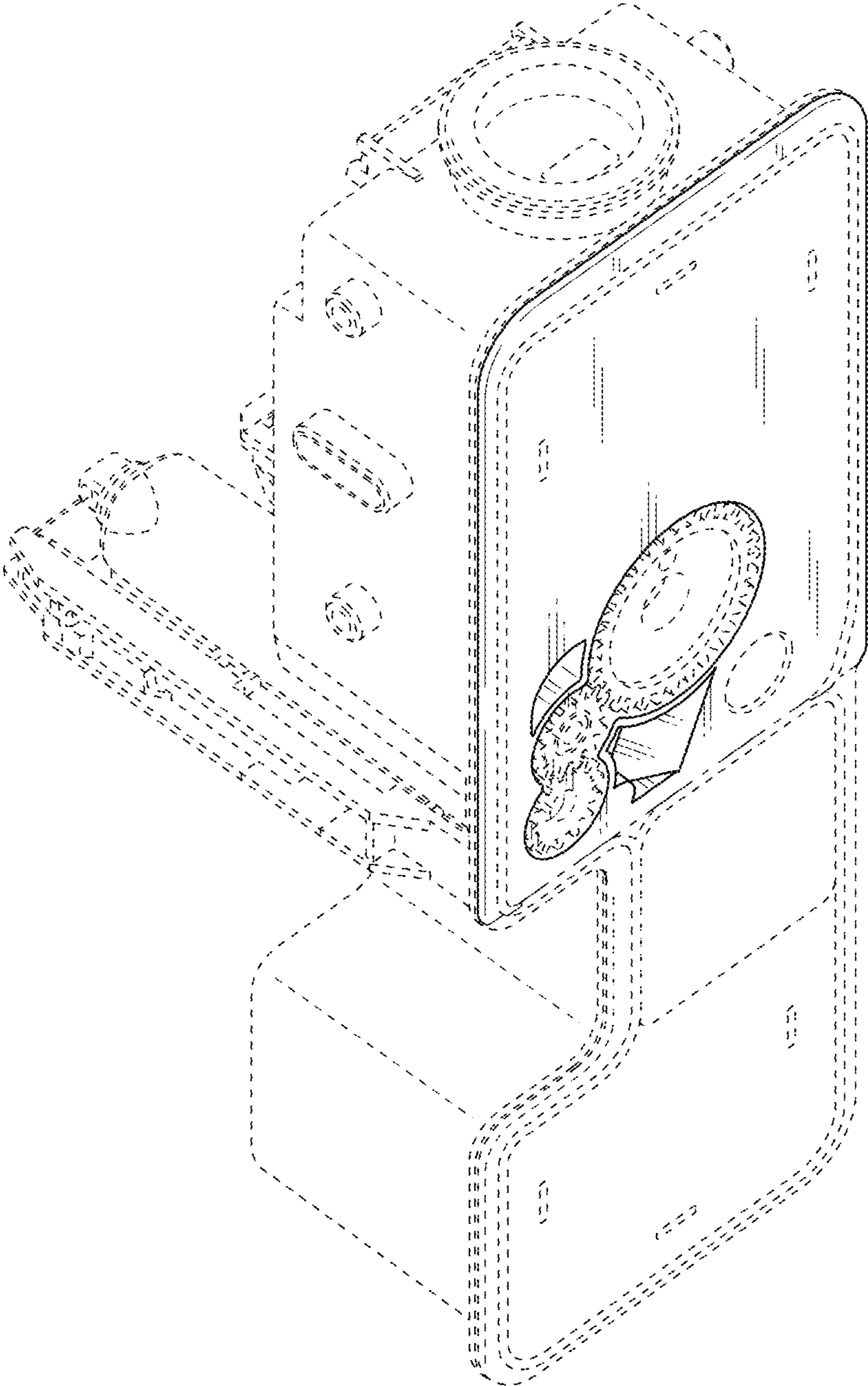


Fig. 2

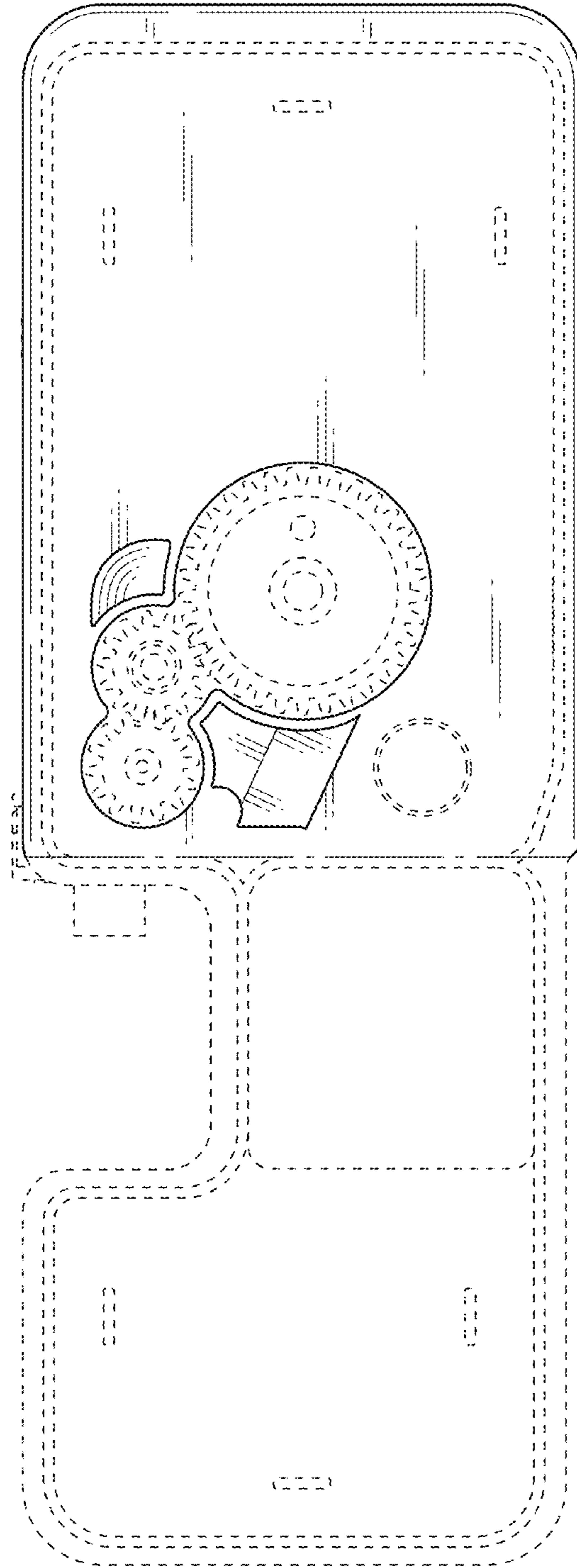


Fig. 3

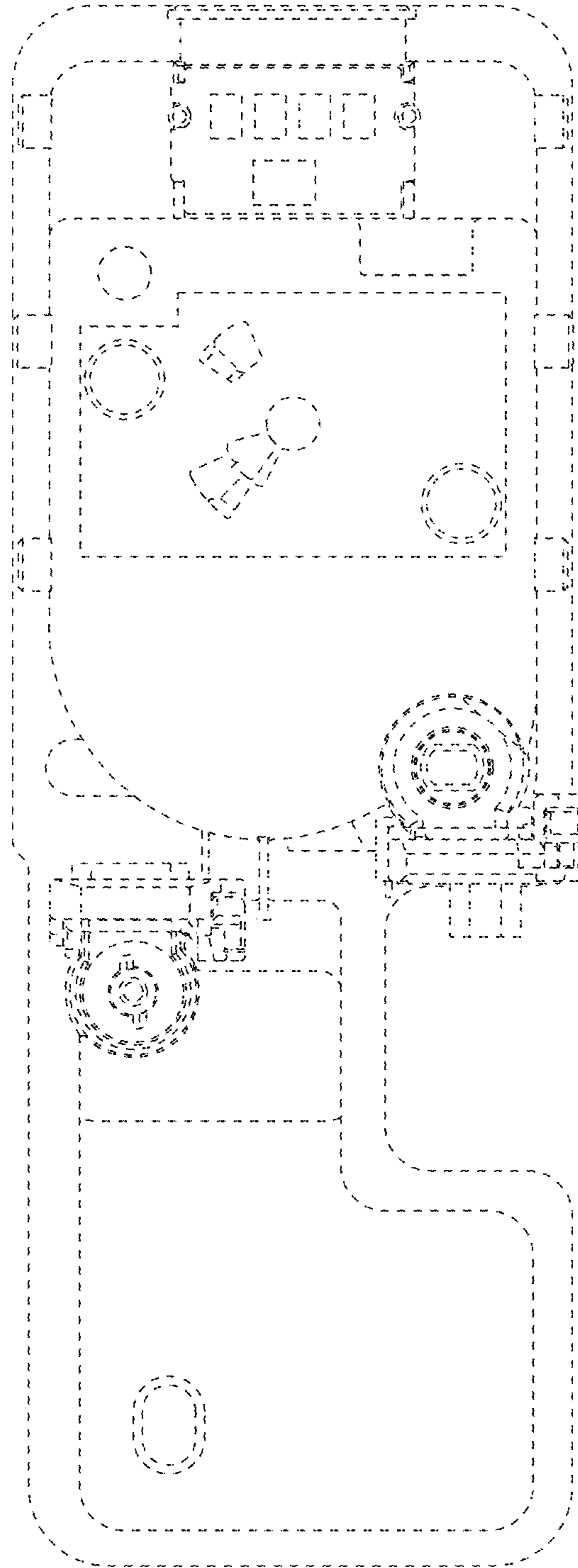


Fig. 4

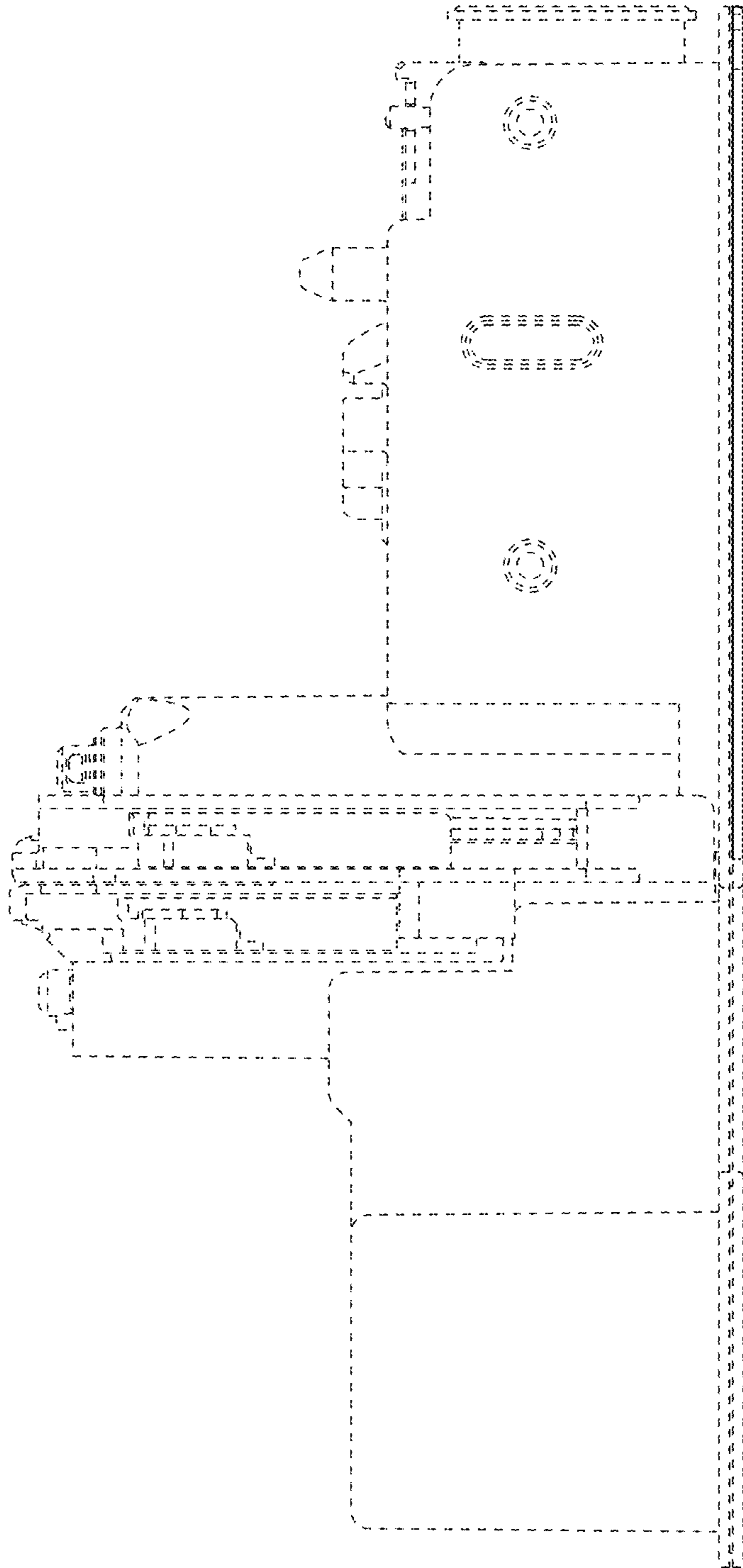


Fig. 5

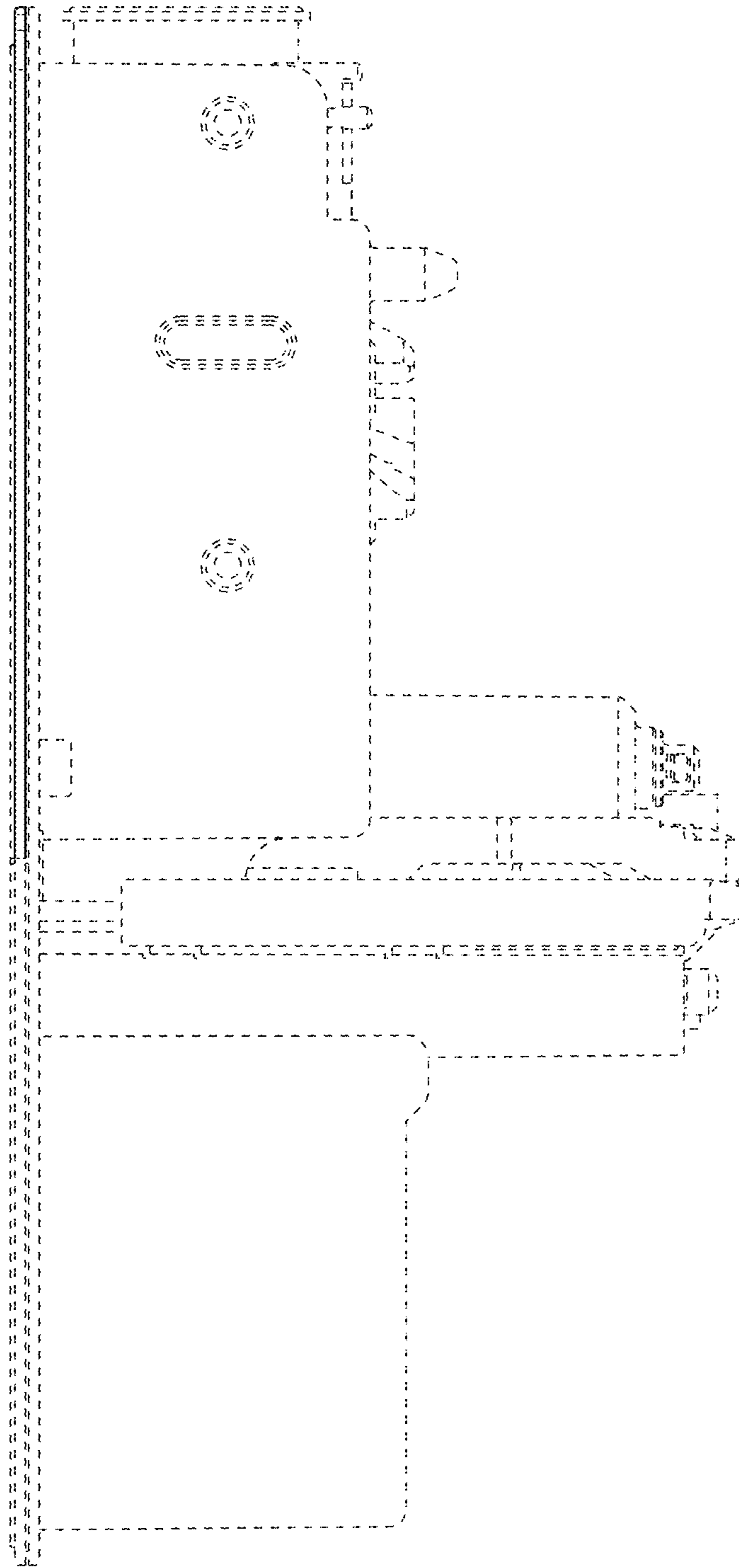


Fig. 6

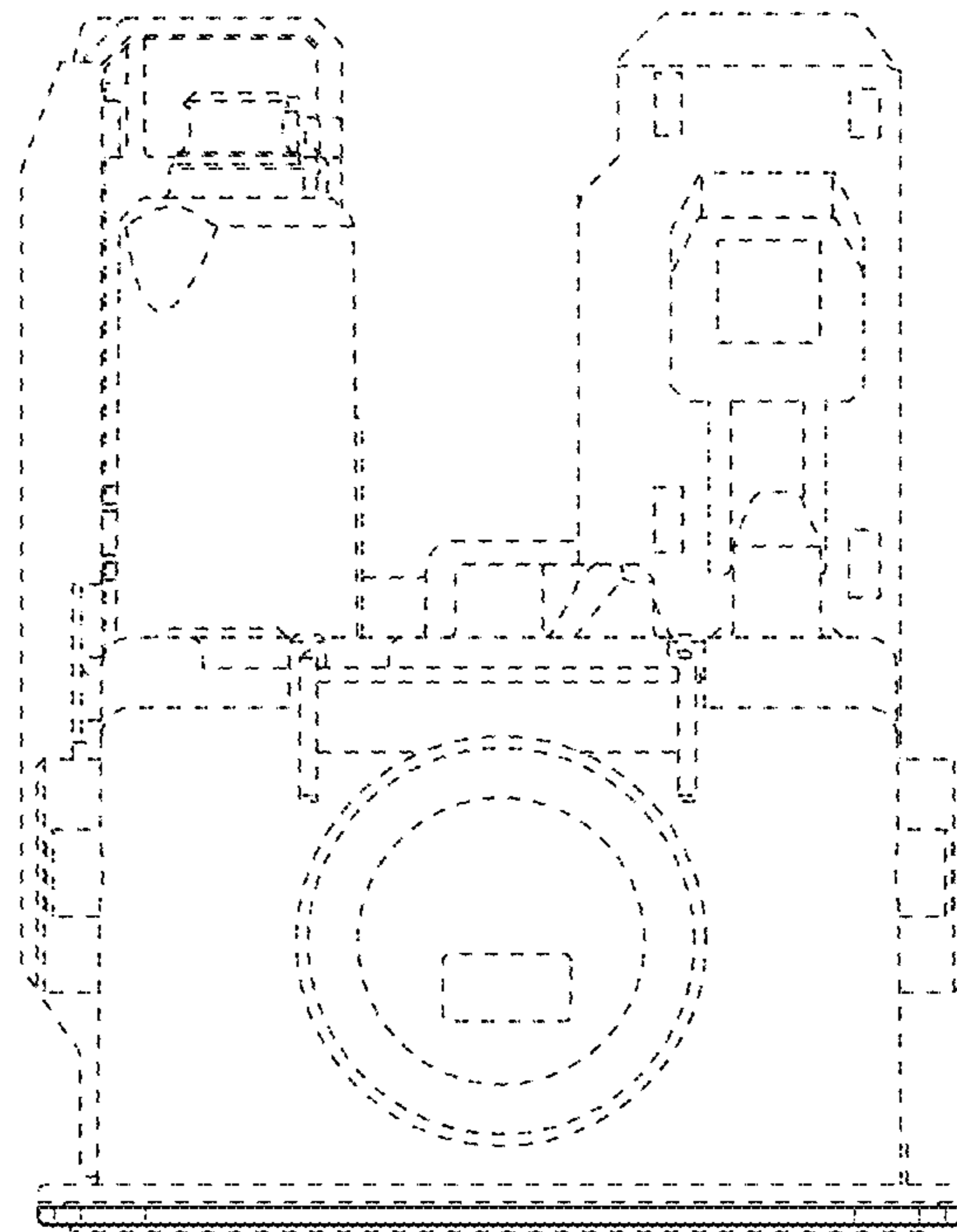


Fig. 7

