



US00D788837S

(12) **United States Design Patent**
Miyata et al.

(10) **Patent No.:** **US D788,837 S**

(45) **Date of Patent:** **** Jun. 6, 2017**

- (54) **LAMP UNIT FOR A PROJECTOR**
- (71) Applicant: **SEIKO EPSON CORPORATION,**
Tokyo (JP)
- (72) Inventors: **Takahiro Miyata,** Matsumoto (JP);
Daiki Yuto, Matsumoto (JP); **Masahiro**
Saito, Shiojiri (JP); **Satoru**
Nagarekawa, Matsumoto (JP)
- (73) Assignee: **SEIKO EPSON CORPORATION,**
Tokyo (JP)

- 8,820,938 B2 * 9/2014 Tanaka G03B 21/16
353/57
- 8,919,964 B2 * 12/2014 Miyata G03B 21/16
313/423
- 9,052,581 B2 * 6/2015 Saito G03B 21/16
- D738,425 S * 9/2015 Miyata D16/235
- 2016/0259233 A1 * 9/2016 Miyata G03B 21/16

* cited by examiner

Primary Examiner — Wan Laymon

- (**) Term: **15 Years**
- (21) Appl. No.: **29/559,324**
- (22) Filed: **Mar. 28, 2016**

(57) **CLAIM**

The ornamental design for a lamp unit for a projector, as shown and described.

(30) **Foreign Application Priority Data**

- Sep. 30, 2015 (JP) 2015-021466
- (51) **LOC (10) Cl.** **16-02**
- (52) **U.S. Cl.**
USPC **D16/235**
- (58) **Field of Classification Search**
USPC D16/221, 225, 235; D26/1, 4
CPC G03B 21/20; G03B 21/2093; G03B 21/16;
F21V 15/01; F21V 29/00
See application file for complete search history.

DESCRIPTION

FIG. 1 is a front, top, and right side perspective view of a lamp unit for a projector showing our new design;
 FIG. 2 is a rear, bottom, and left side perspective view thereof;
 FIG. 3 is a front view thereof;
 FIG. 4 is a rear view thereof;
 FIG. 5 is a top plan view thereof;
 FIG. 6 is a bottom plan view thereof;
 FIG. 7 is a right side view thereof; and,
 FIG. 8 is a left side view thereof.
 The features shown in broken lines in the drawings depict environmental subject matter only and form no part of the claimed design.

(56) **References Cited**

U.S. PATENT DOCUMENTS

- D584,328 S * 1/2009 Sasaki D16/235
- D689,915 S * 9/2013 Miyata D16/235

1 Claim, 8 Drawing Sheets

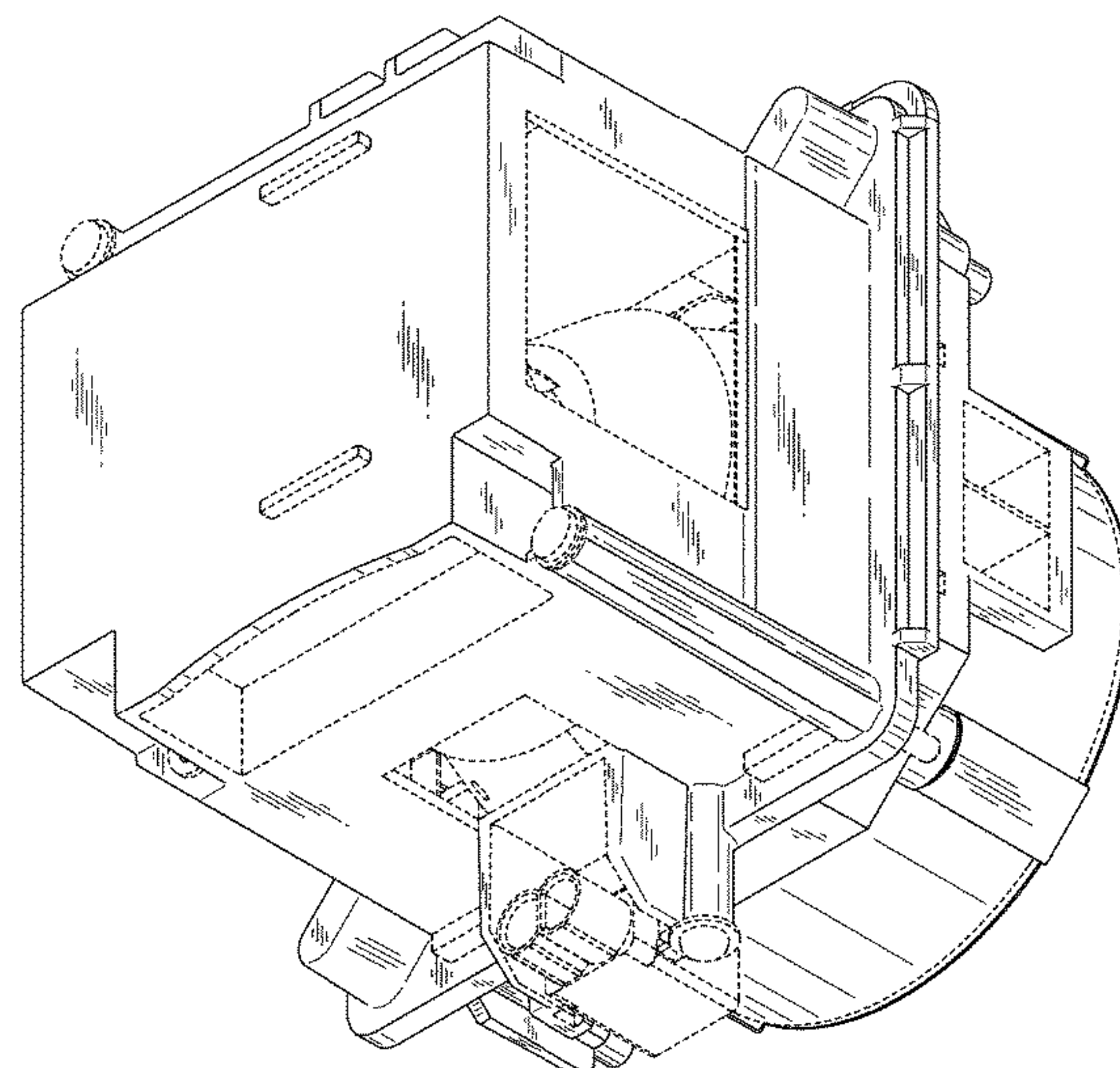
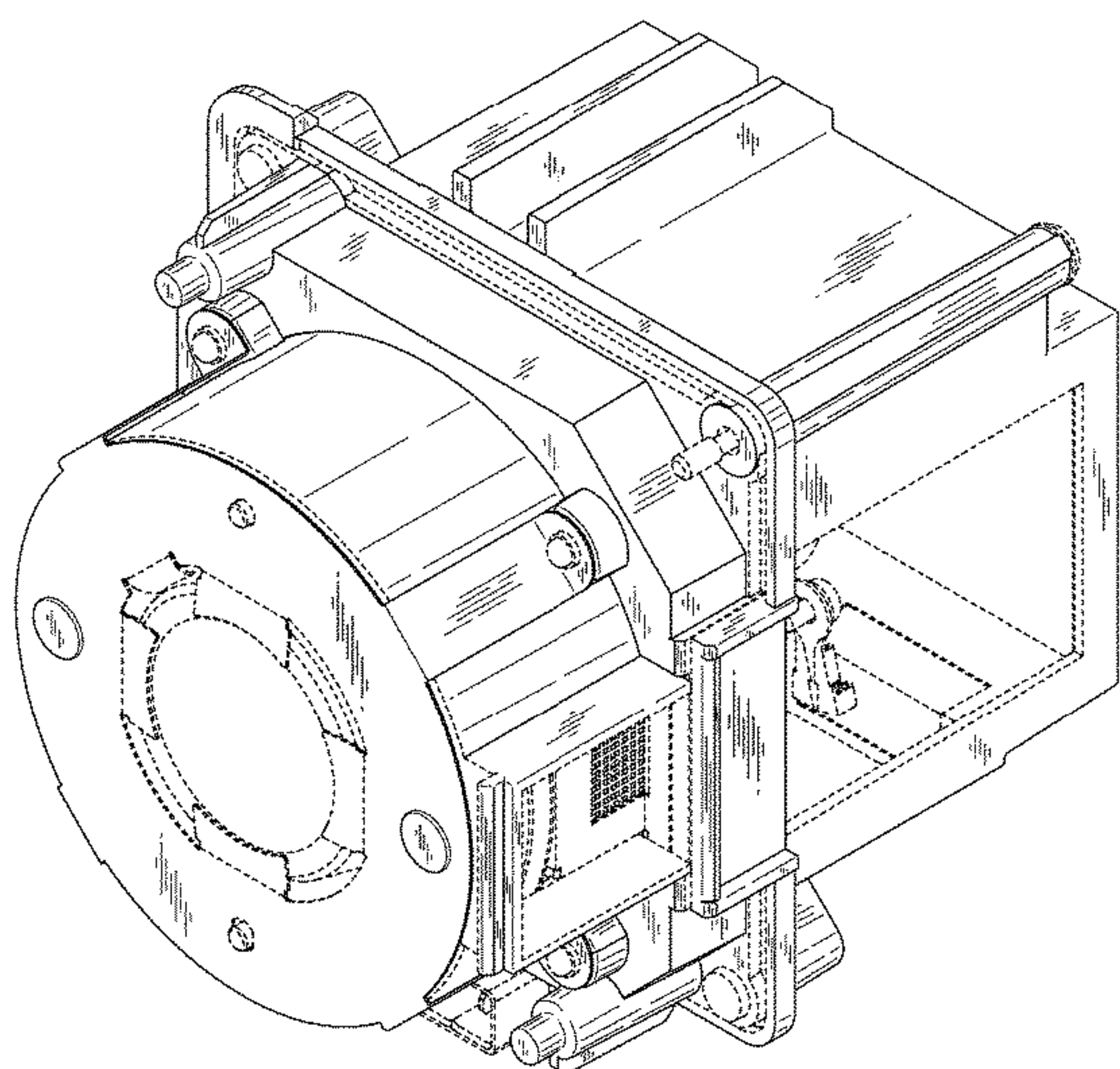


Fig.1

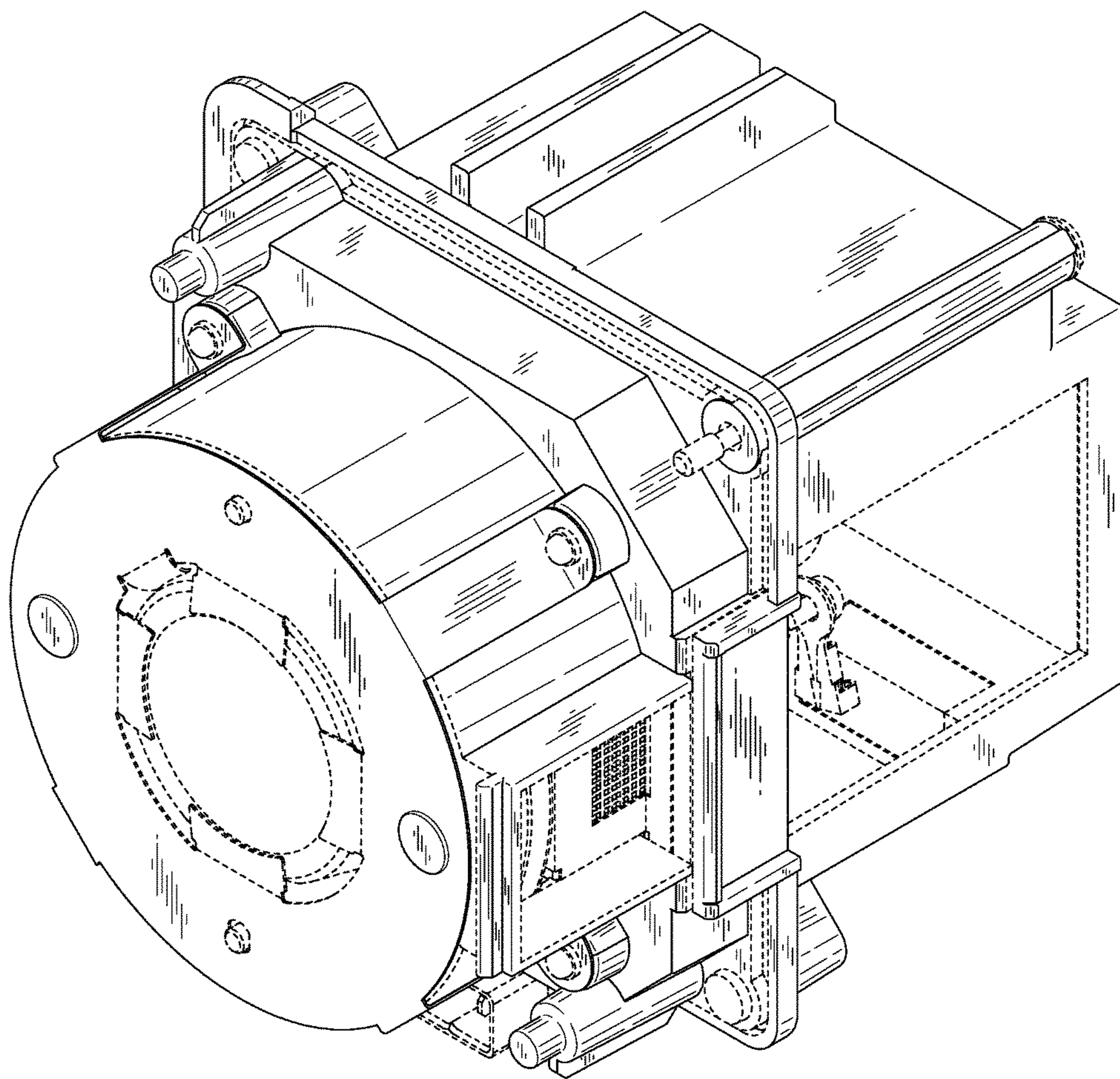


Fig.2

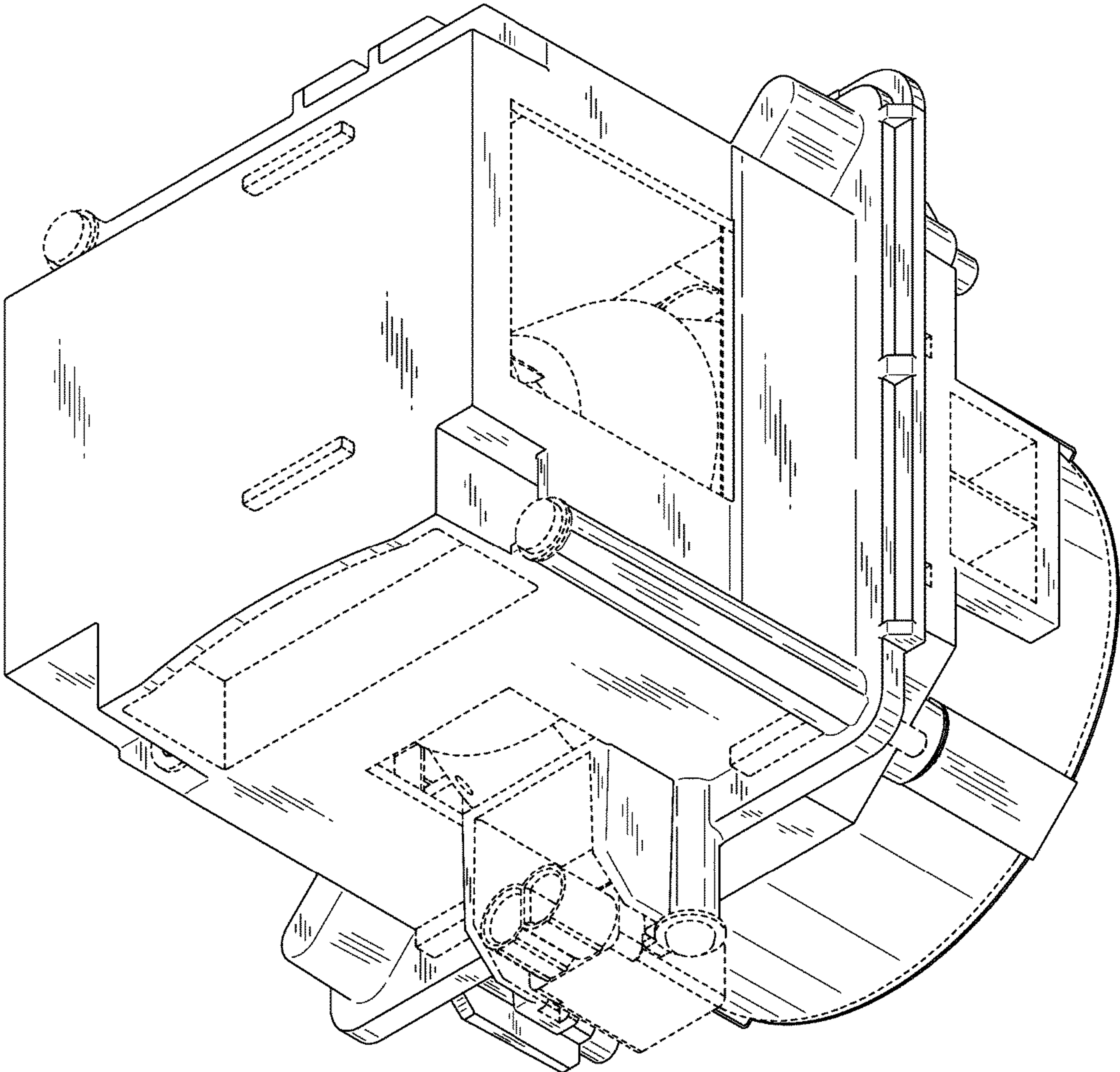


Fig.3

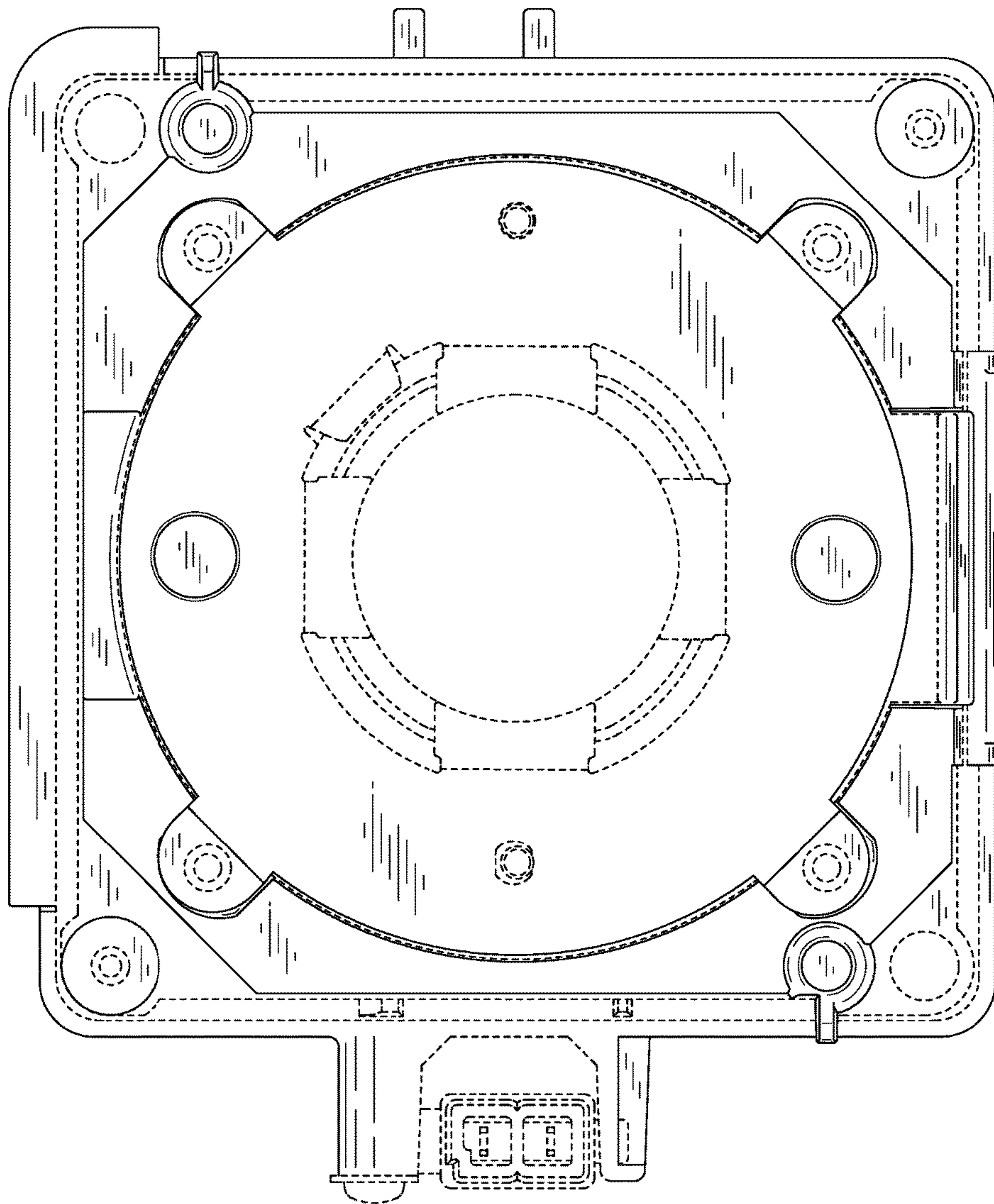


Fig.4

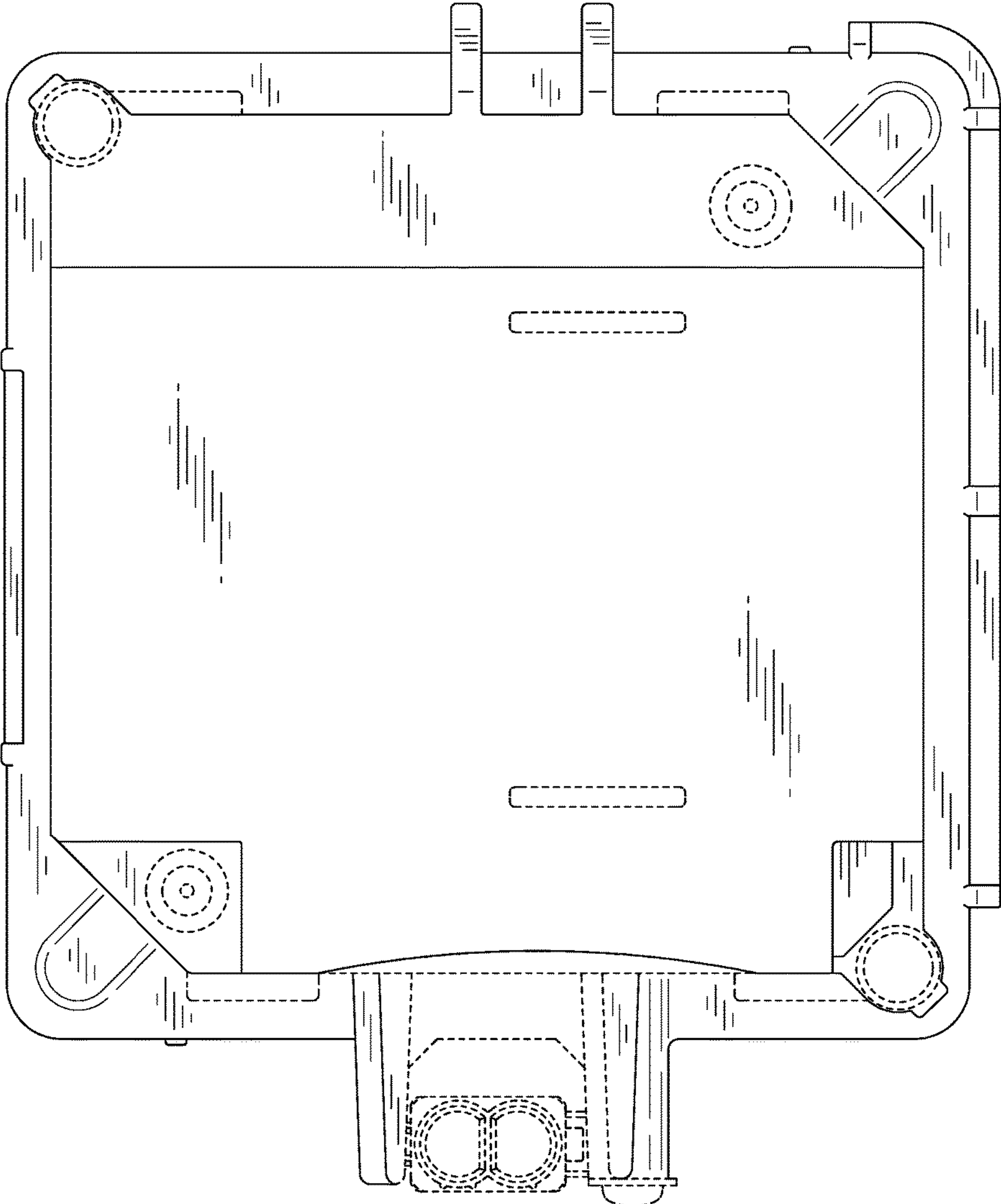


Fig.5

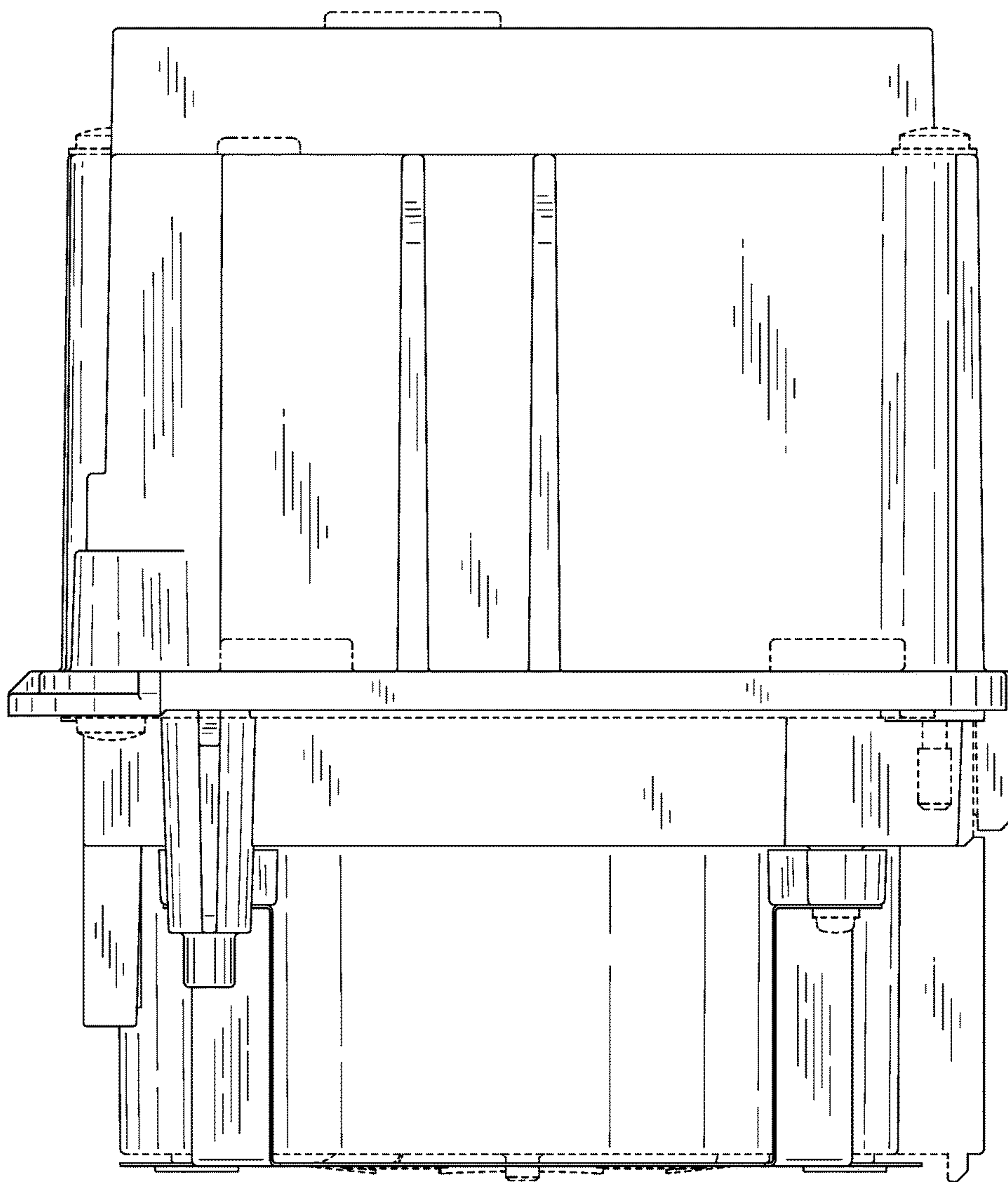


Fig.6

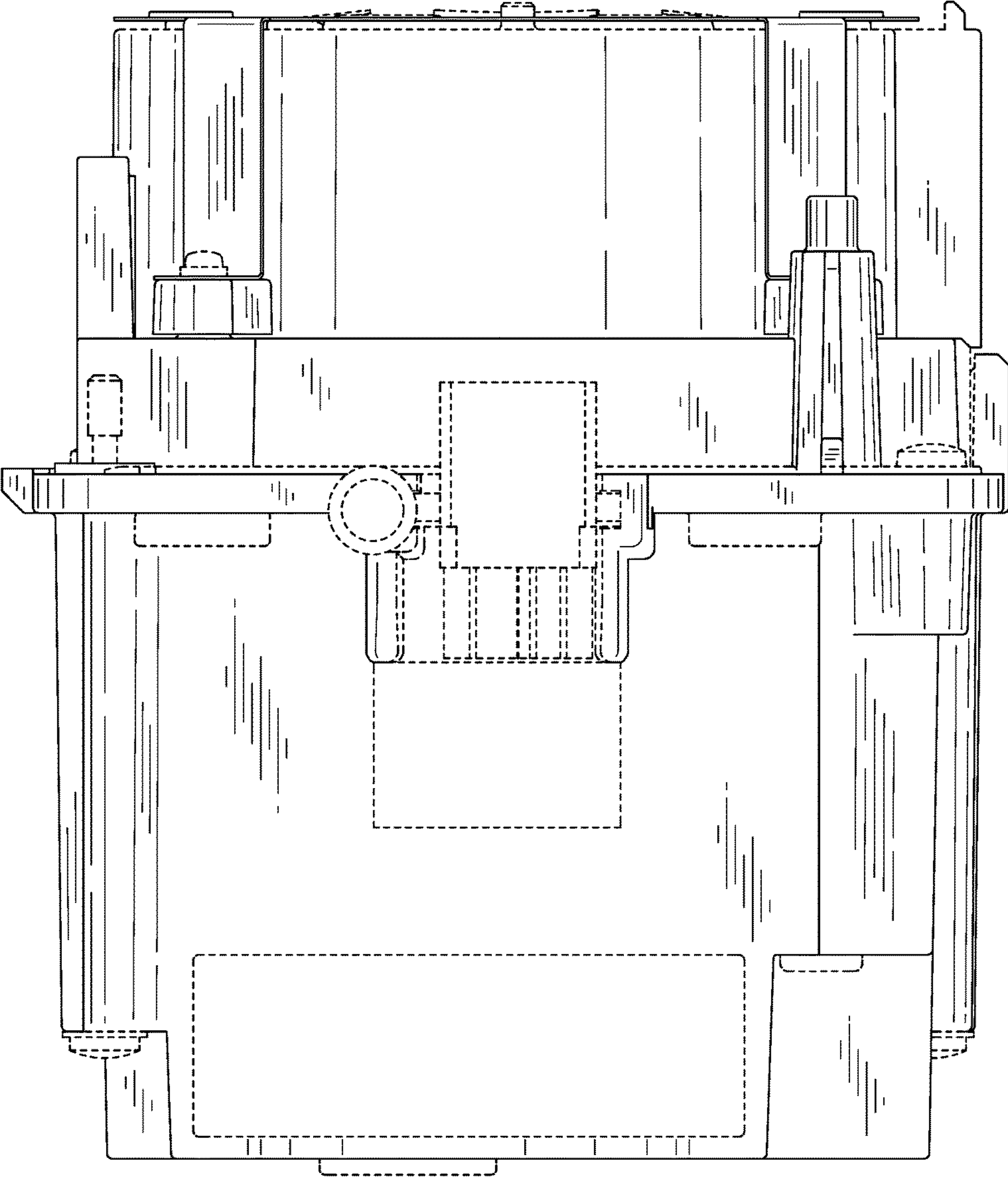


Fig.7

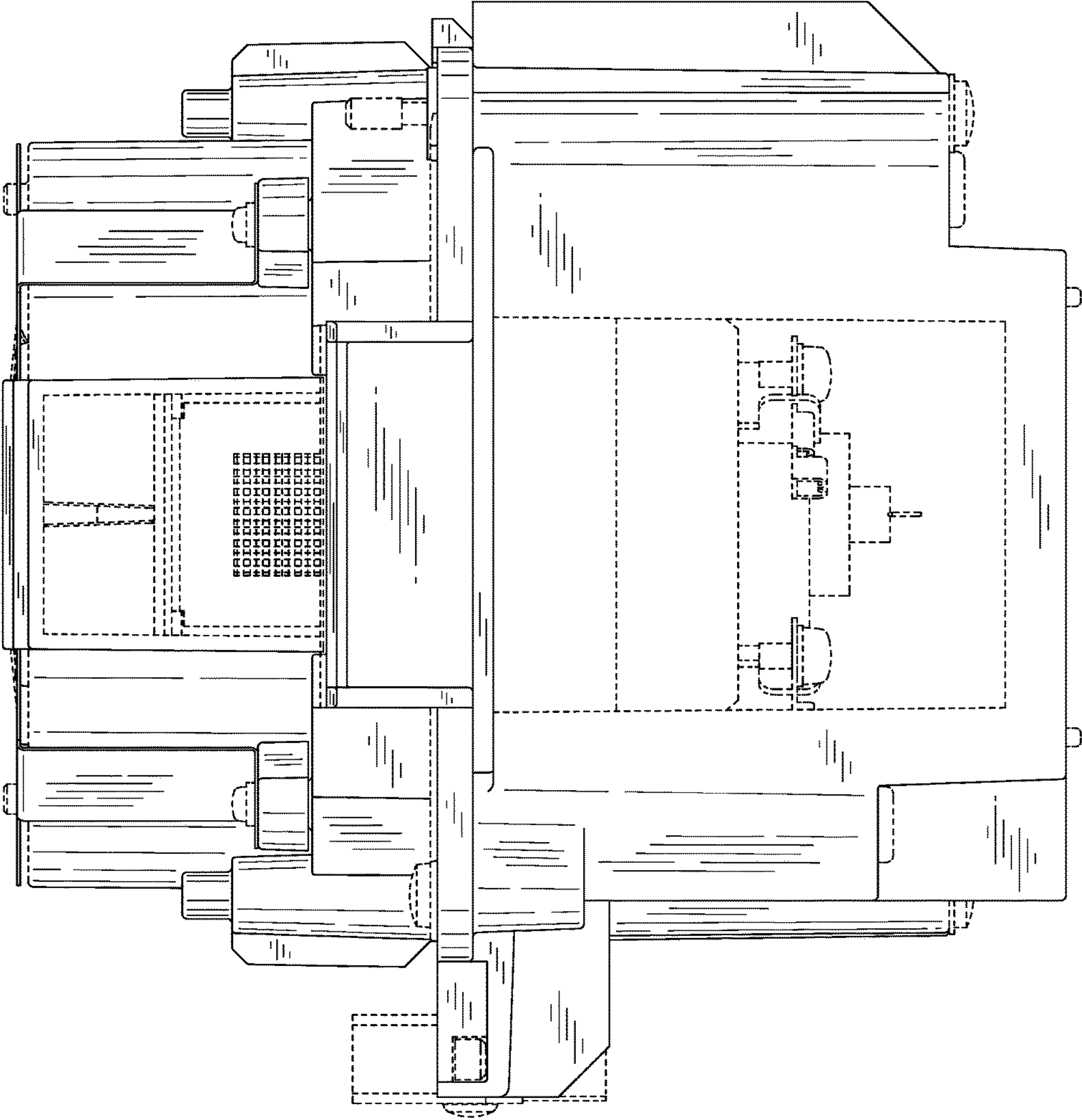


Fig.8

