



US00D788836S

(12) **United States Design Patent**
Sakai

(10) **Patent No.:** **US D788,836 S**

(45) **Date of Patent:** **** Jun. 6, 2017**

(54) **LENS FOR TELEVISION CAMERA**

D671,586 S * 11/2012 Asano D16/219
D673,993 S * 1/2013 Yanagi D16/219

(71) Applicant: **FUJIFILM Corporation**, Tokyo (JP)

* cited by examiner

(72) Inventor: **Hiroyuki Sakai**, Tokyo (JP)

Primary Examiner — Austin Murphy

(73) Assignee: **FUJIFILM Corporation**, Tokyo (JP)

(74) *Attorney, Agent, or Firm* — Young & Thompson

(**) Term: **15 Years**

(57) **CLAIM**

The ornamental design for a lens for television camera, as shown and described.

(21) Appl. No.: **29/539,136**

DESCRIPTION

(22) Filed: **Sep. 11, 2015**

FIG. 1 is a top, front and left side perspective view of a lens for television camera showing a first embodiment of my new design;

(30) **Foreign Application Priority Data**

Mar. 13, 2015 (JP) 2015-005492
Mar. 13, 2015 (JP) 2015-005493
Mar. 13, 2015 (JP) 2015-005494

FIG. 2 is a bottom, front and left side perspective view thereof;

(51) **LOC (10) Cl.** **16-05**

FIG. 3 is a front elevational view thereof;

(52) **U.S. Cl.**

USPC **D16/219**

FIG. 4 is a rear elevational view thereof;

(58) **Field of Classification Search**

USPC D16/134, 136, 202, 219, 243; 348/373,
348/374, 375, 376; 396/432, 535, 544;
378/98.2

FIG. 5 is a top plan view thereof;

FIG. 6 is a bottom plan view thereof;

FIG. 7 is a left side elevational view thereof;

FIG. 8 is a right side elevational view thereof;

FIG. 9 is a right side elevational view thereof in a manner of use;

CPC H04N 5/772; H04N 7/0105; H04N 5/05;
H04N 5/372; G11B 20/10527; G11B
2020/10592

FIG. 10 is a top, front and left side perspective view of a lens for television camera showing a second embodiment of my new design;

FIG. 11 is a bottom, front and left side perspective view thereof;

FIG. 12 is a front elevational view thereof;

FIG. 13 is a rear elevational view thereof;

FIG. 14 is a top plan view thereof;

FIG. 15 is a bottom plan view thereof;

FIG. 16 is a left side elevational view thereof;

FIG. 17 is a right side elevational view thereof; and,

FIG. 18 is a right side elevational view thereof in a manner of use.

See application file for complete search history.

The broken lines showing the portions in FIGS. 9, 18, and 27 are for illustrative purposes only and form no part of the claimed design.

(56) **References Cited**

U.S. PATENT DOCUMENTS

D416,271 S * 11/1999 Ikenaga D16/202
D469,792 S * 2/2003 Kawashima D16/134
D605,681 S * 12/2009 Obata D16/134
D615,118 S * 5/2010 Isozaki D16/136
D624,110 S * 9/2010 Isozaki D16/136
D665,835 S * 8/2012 Yanagi D16/219
D665,836 S * 8/2012 Yanagi D16/219

1 Claim, 16 Drawing Sheets

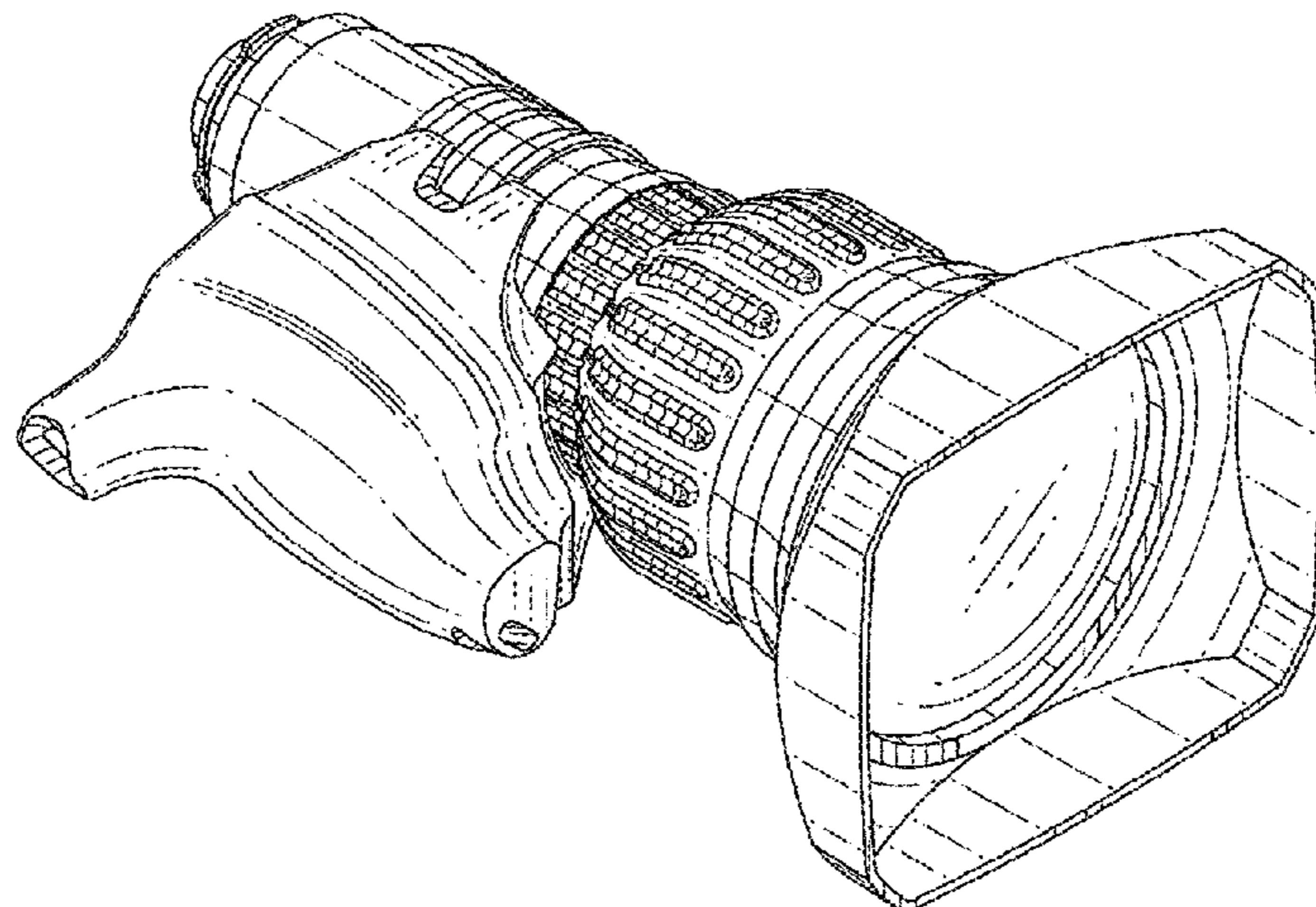


FIG. 1

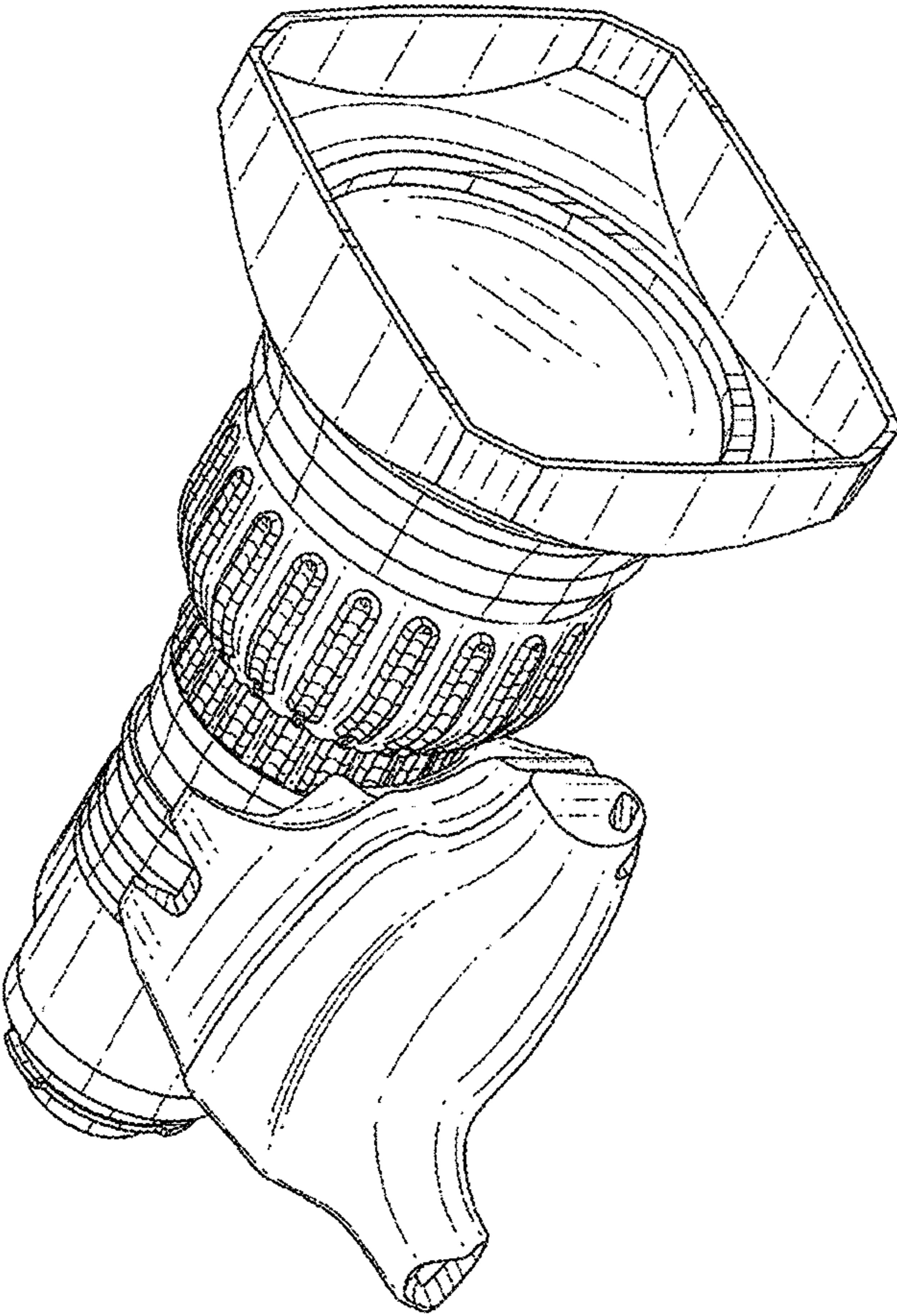


FIG. 2

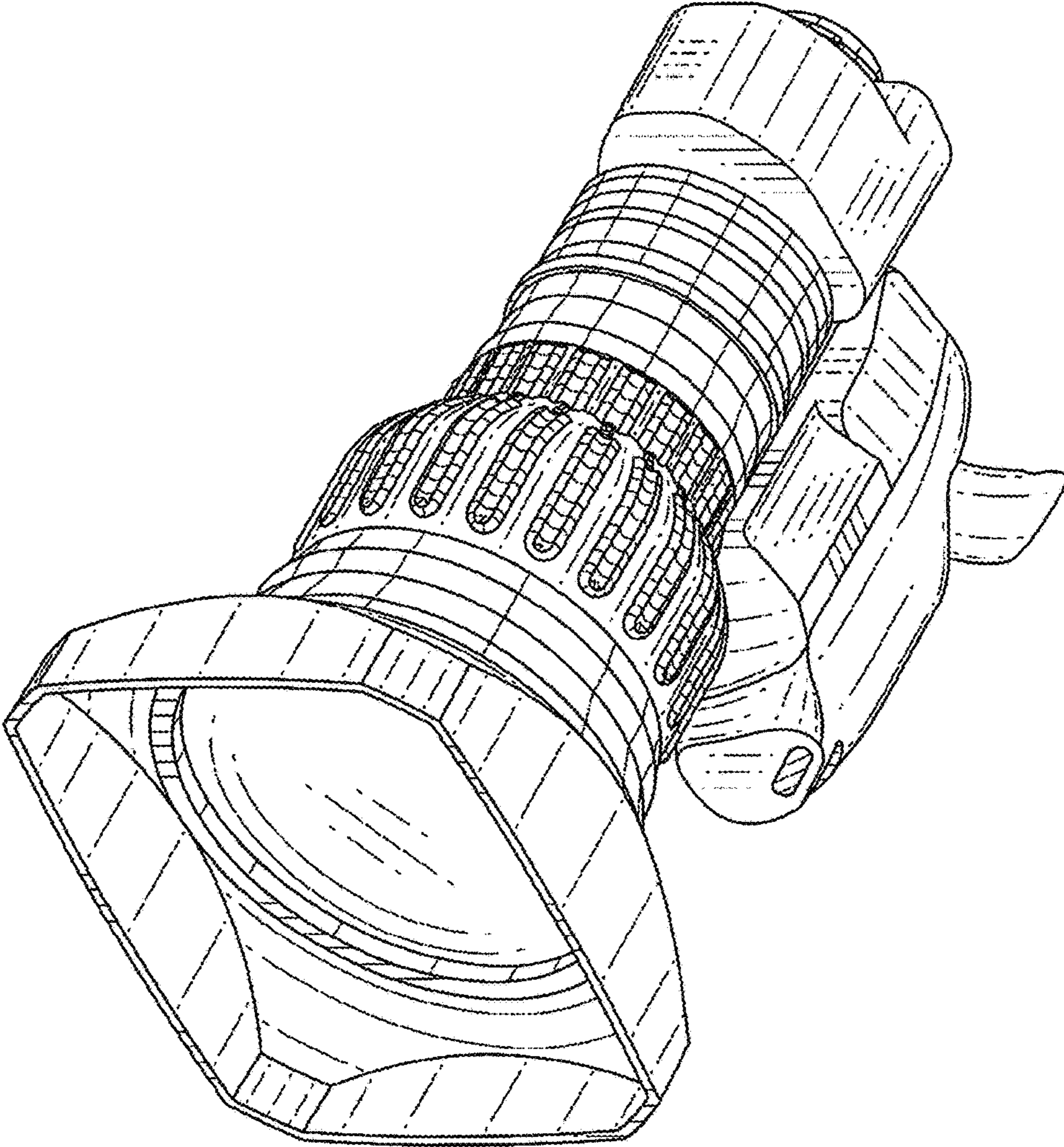


FIG. 3

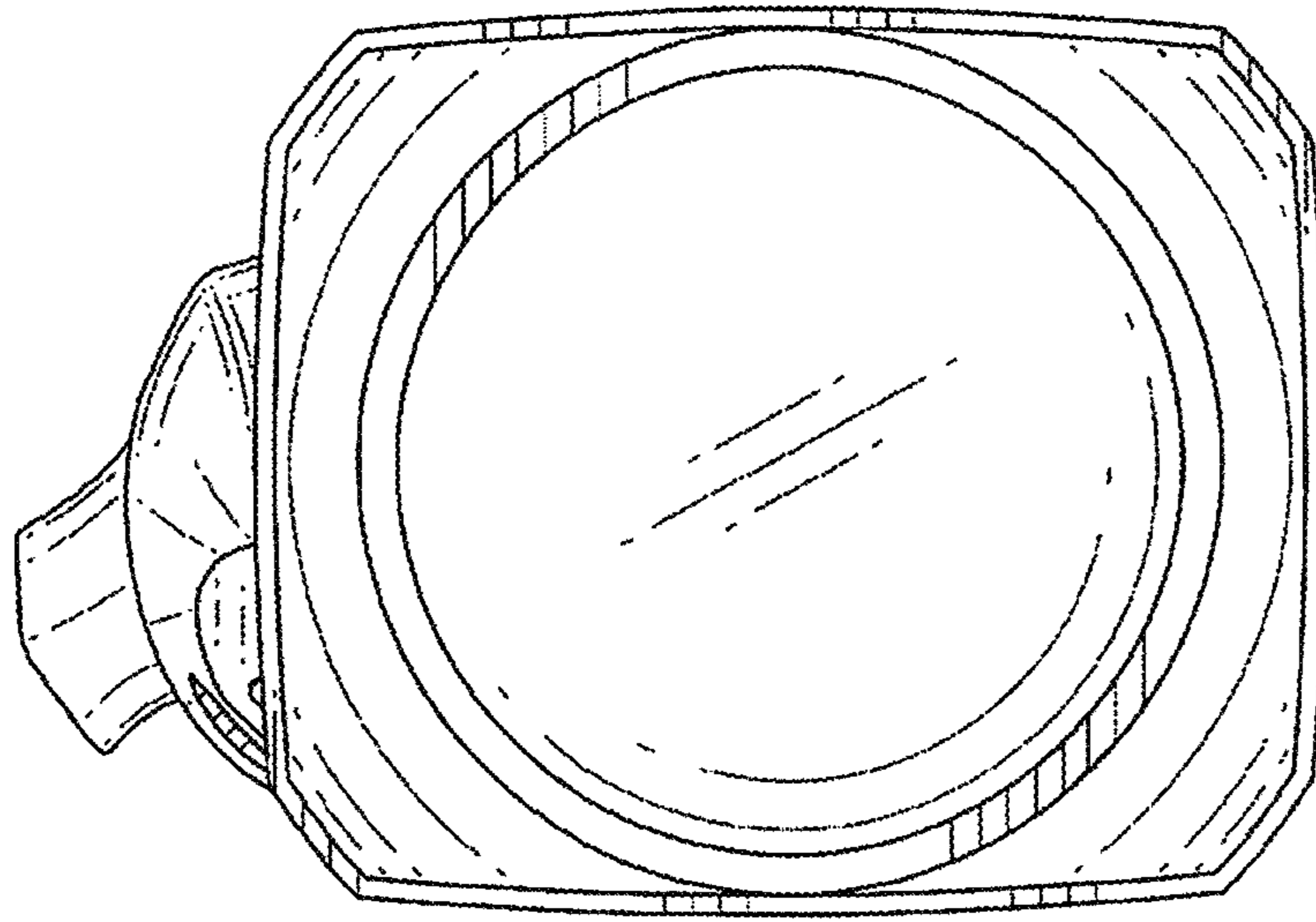


FIG. 4

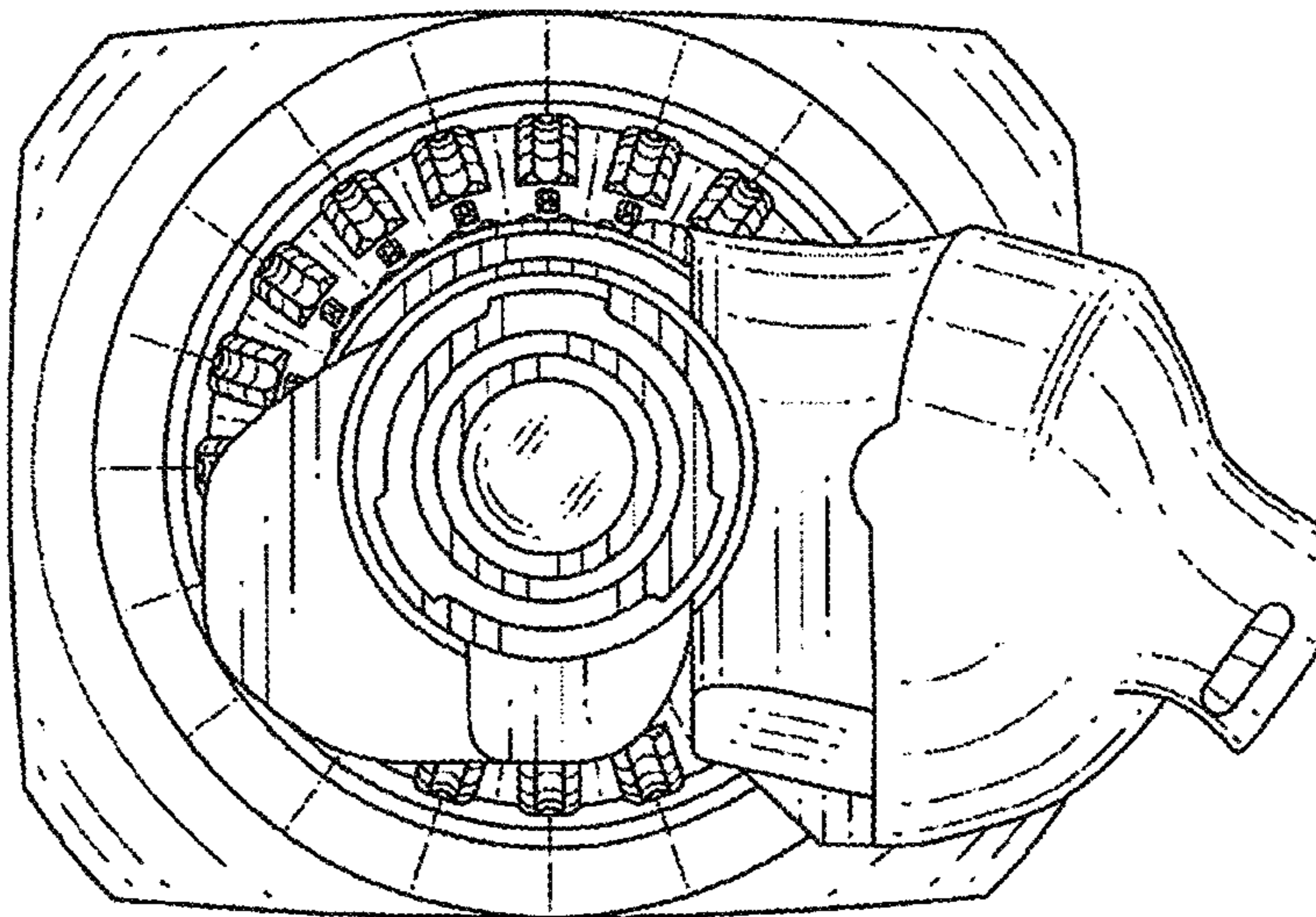


FIG. 5

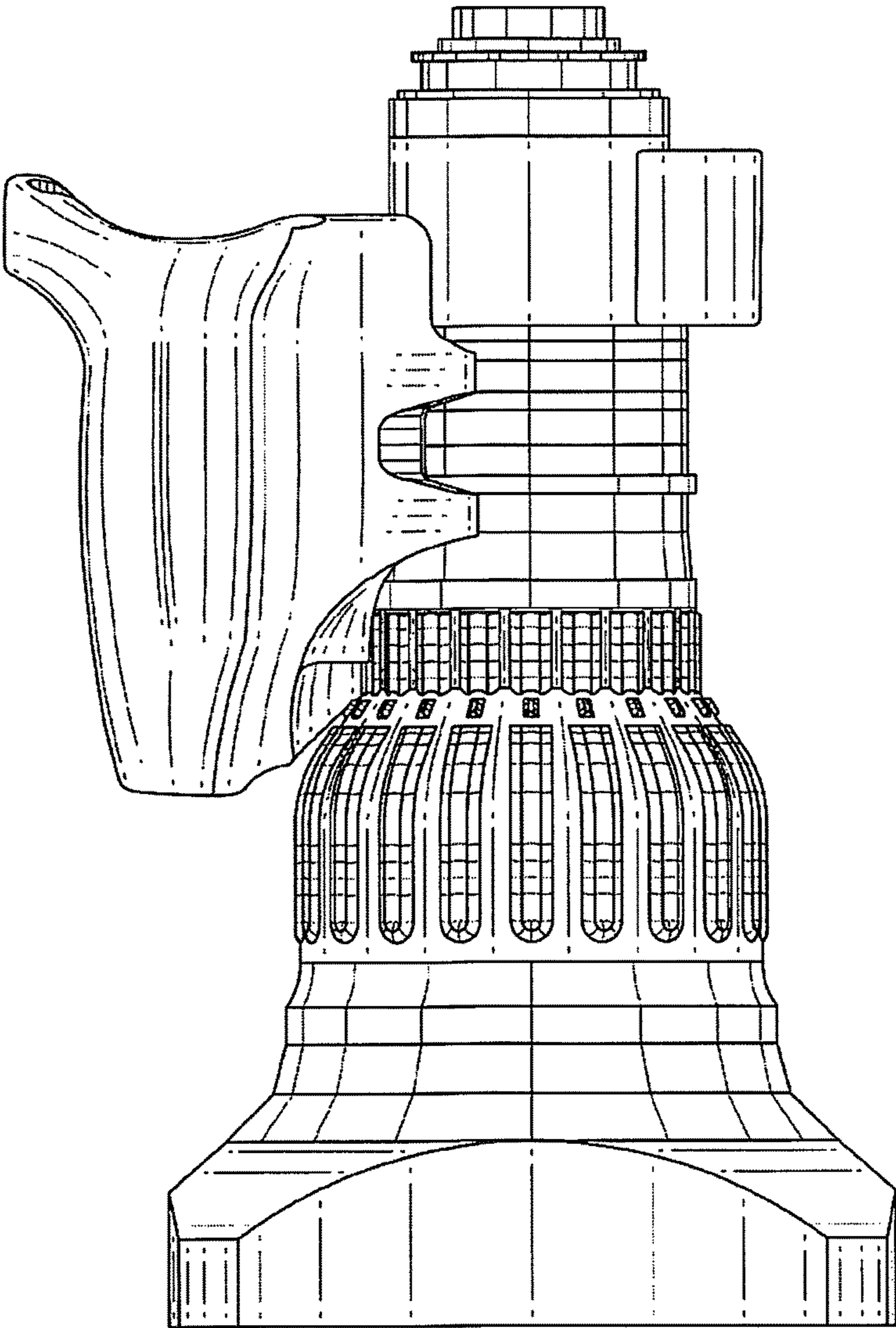


FIG. 6

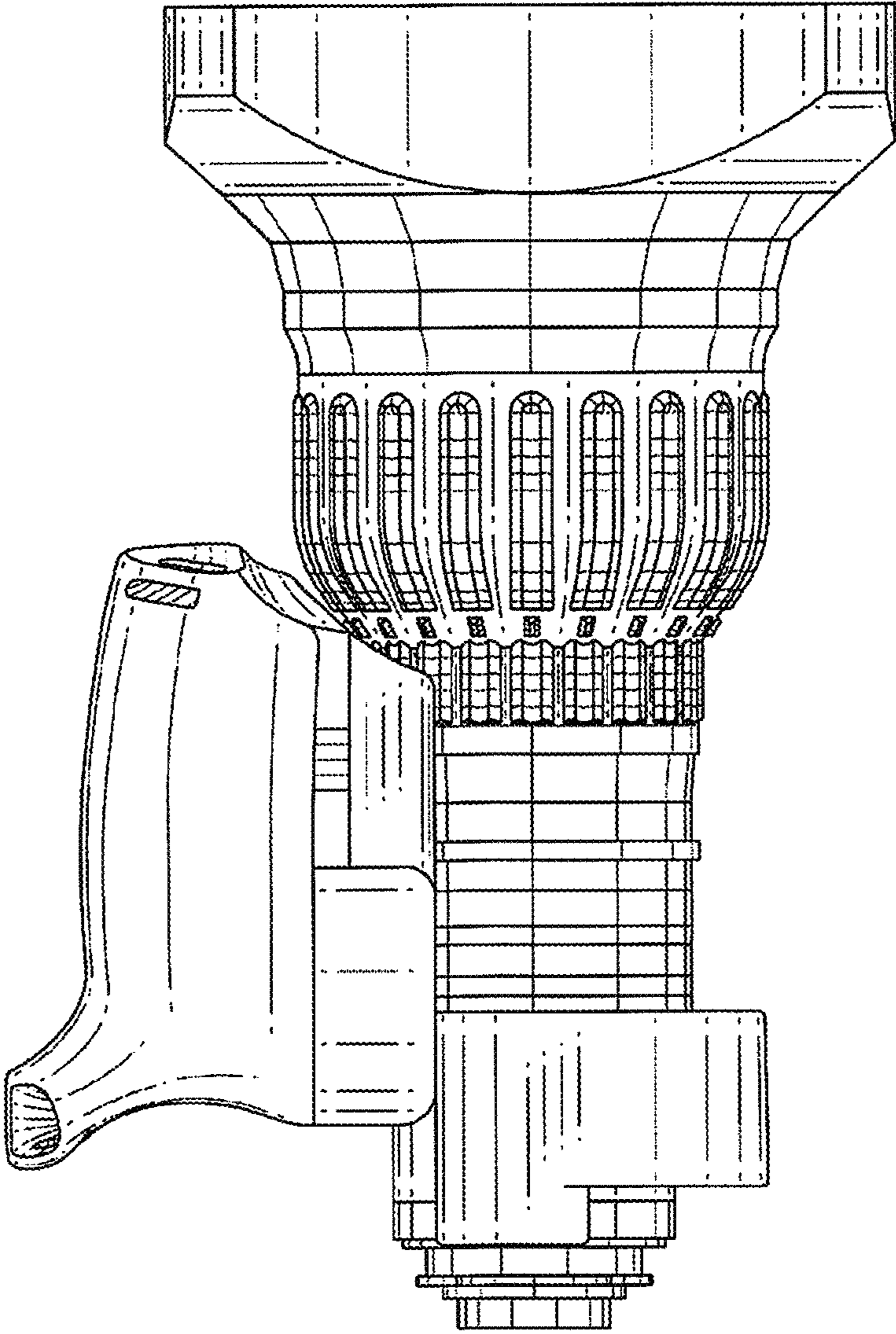


FIG. 7

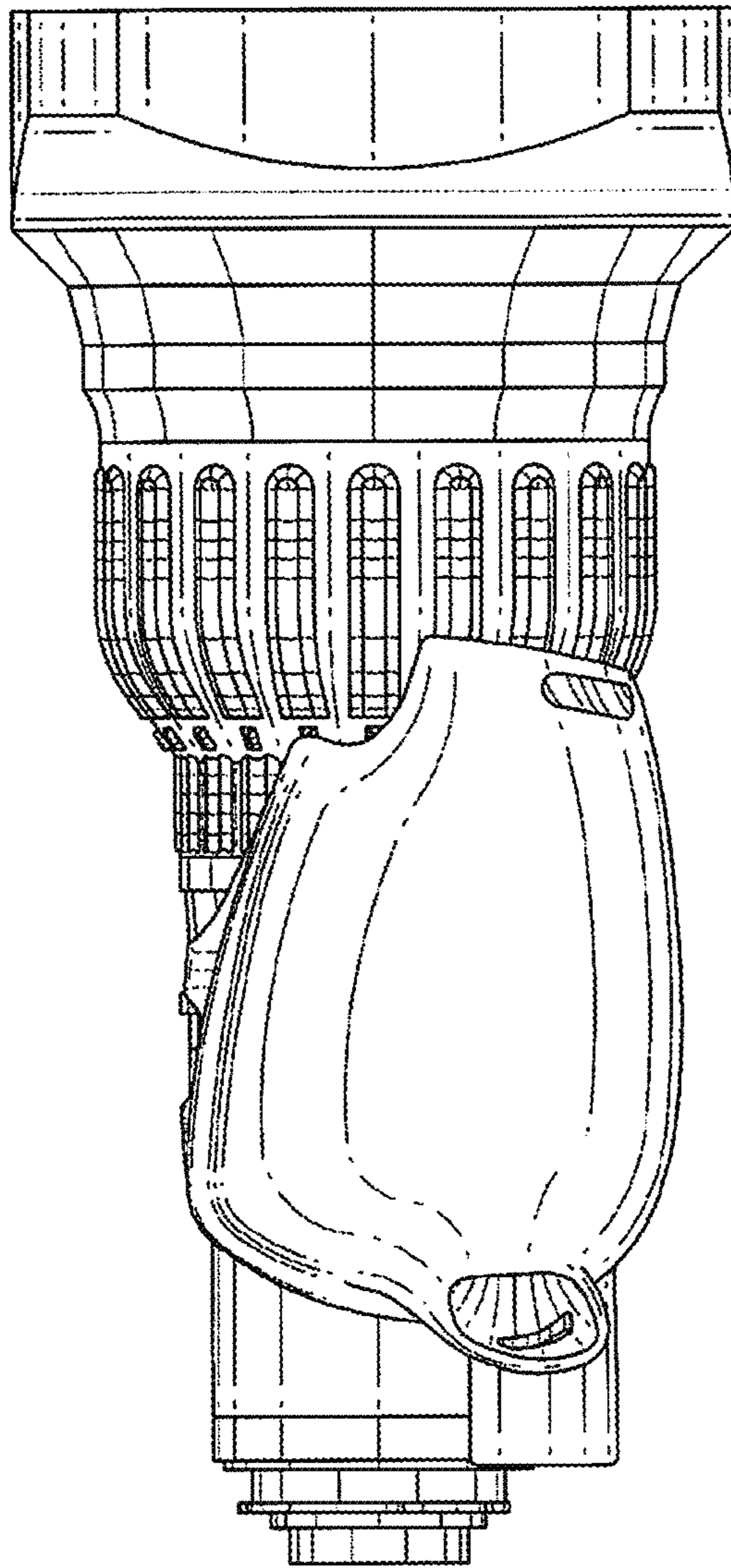


FIG. 8

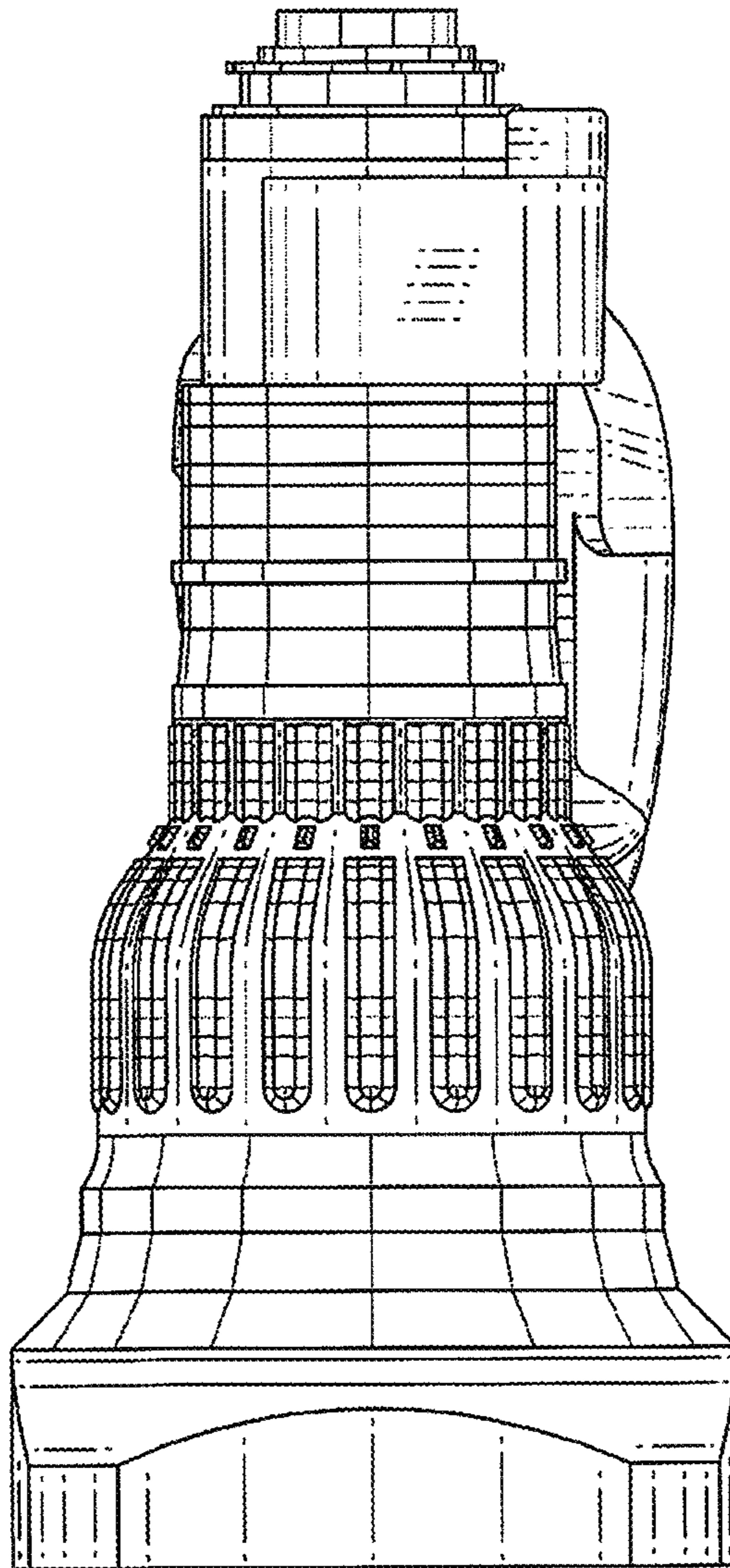


FIG. 9

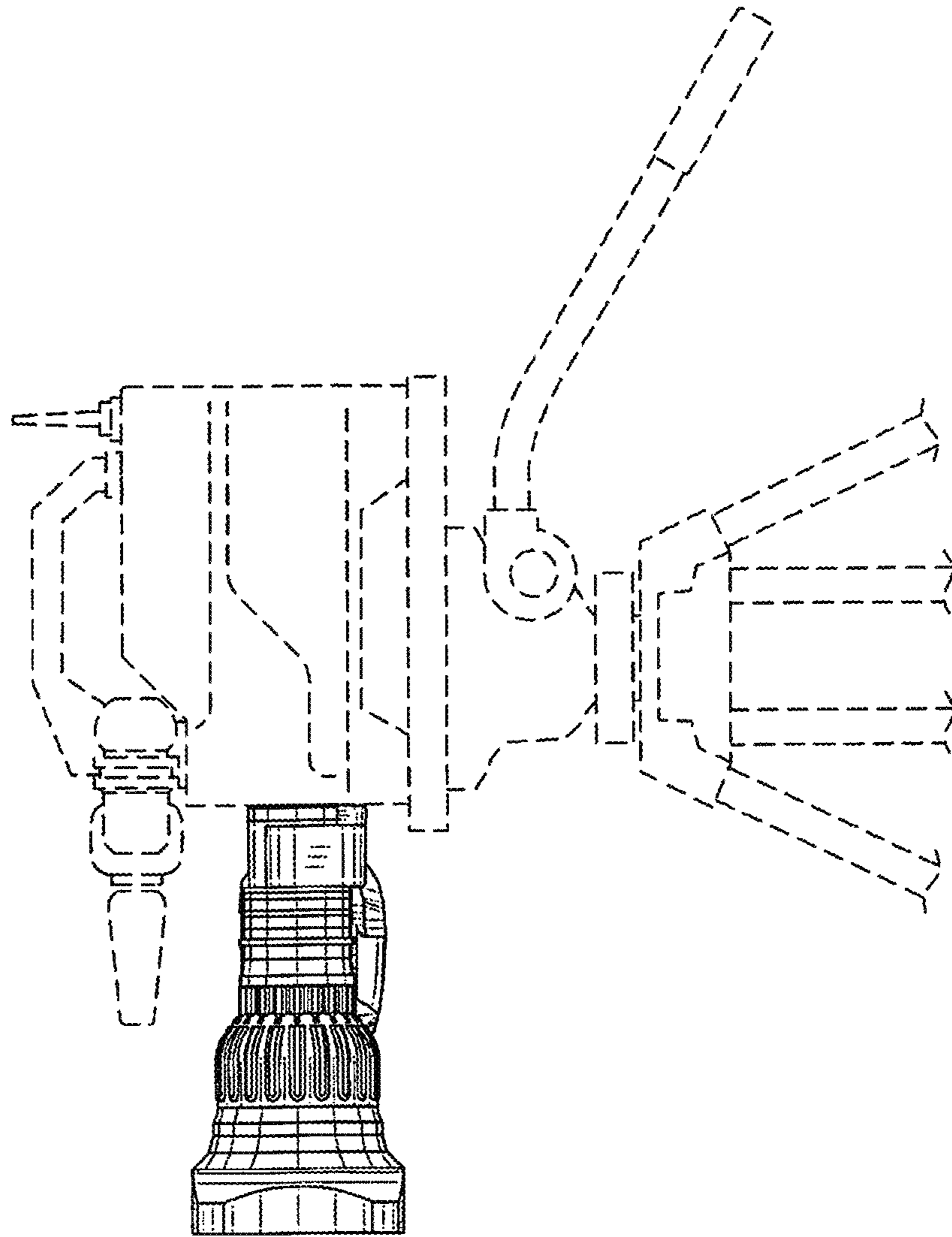


FIG. 10

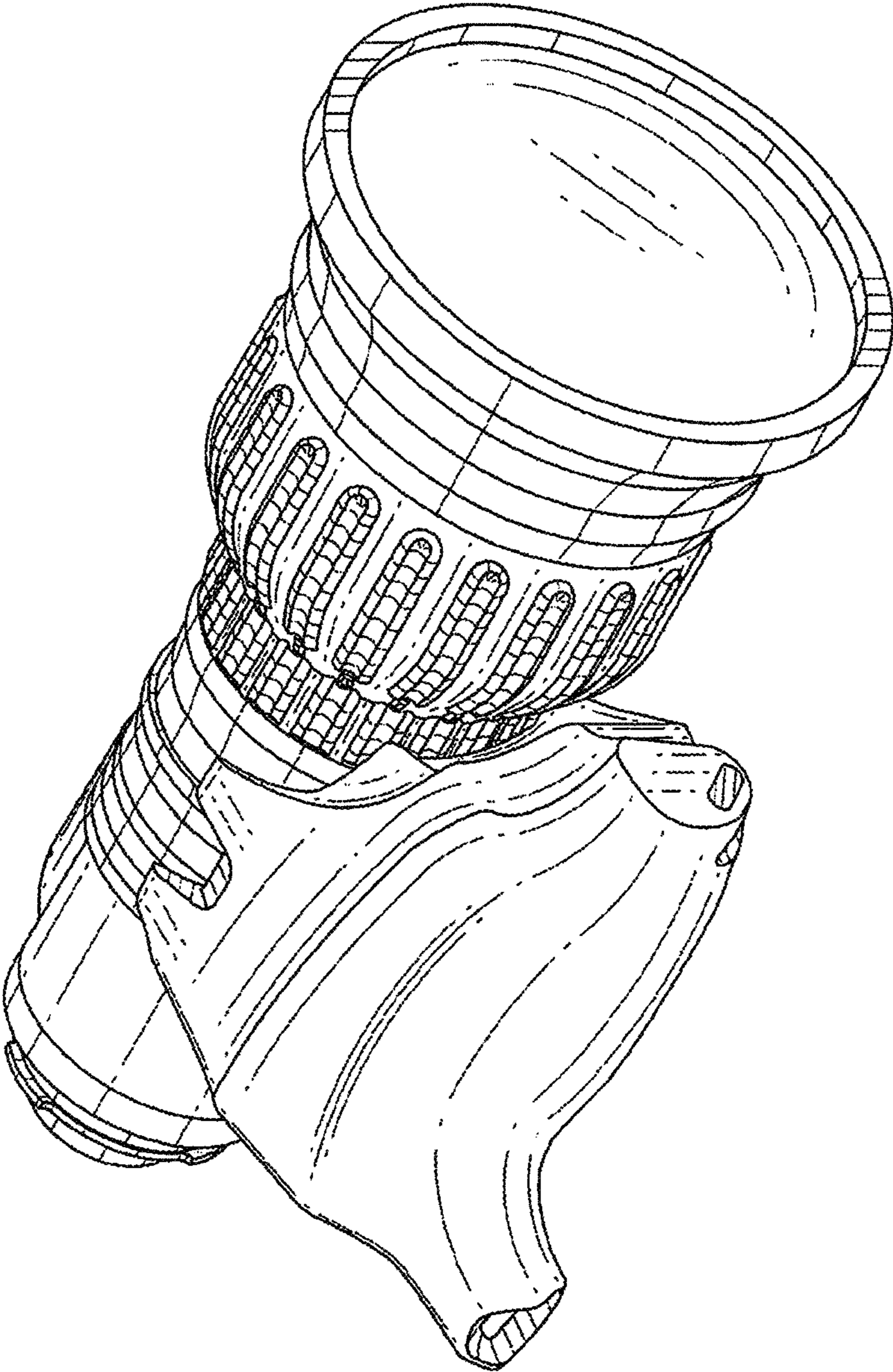


FIG. 11

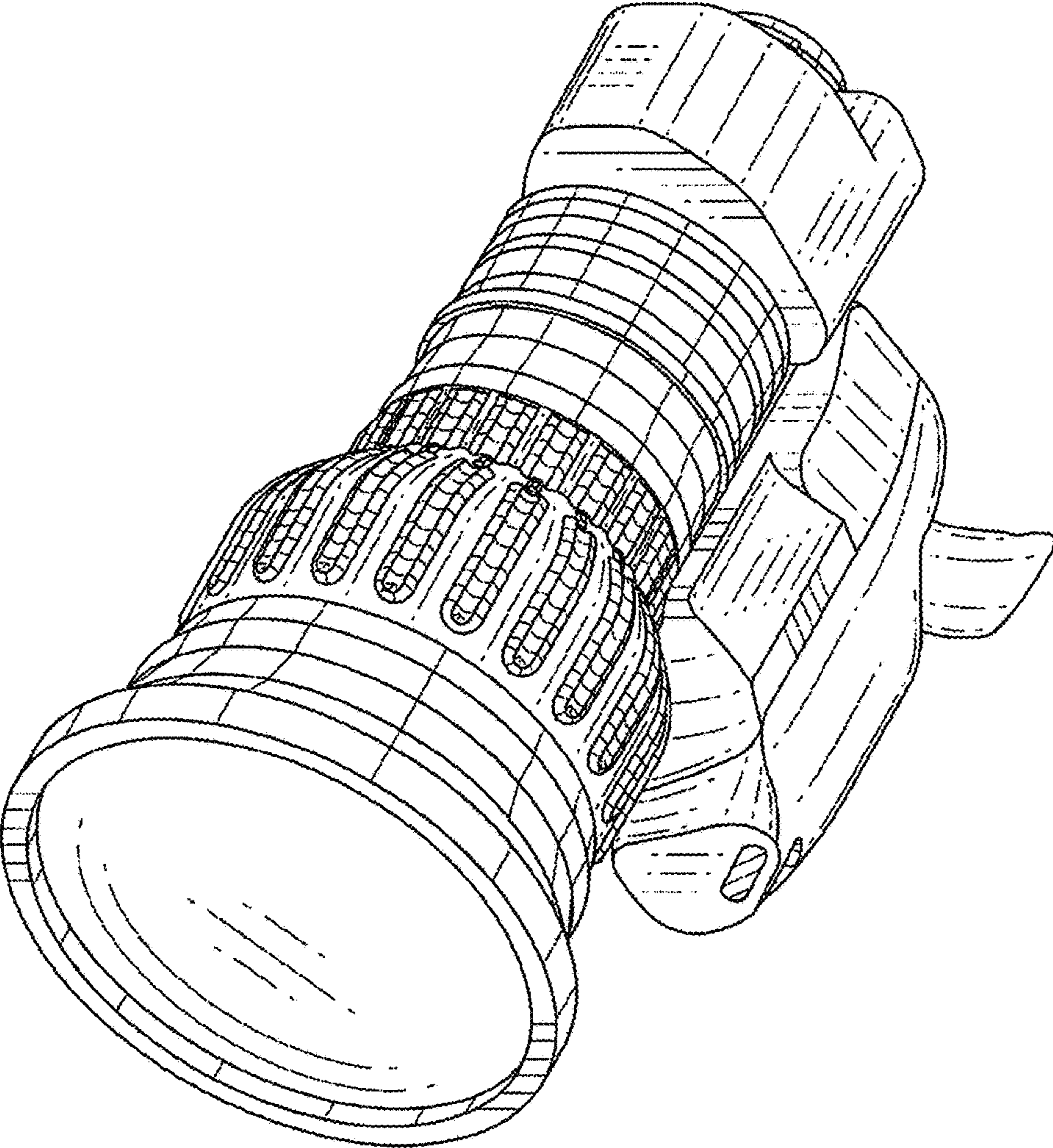


FIG. 12

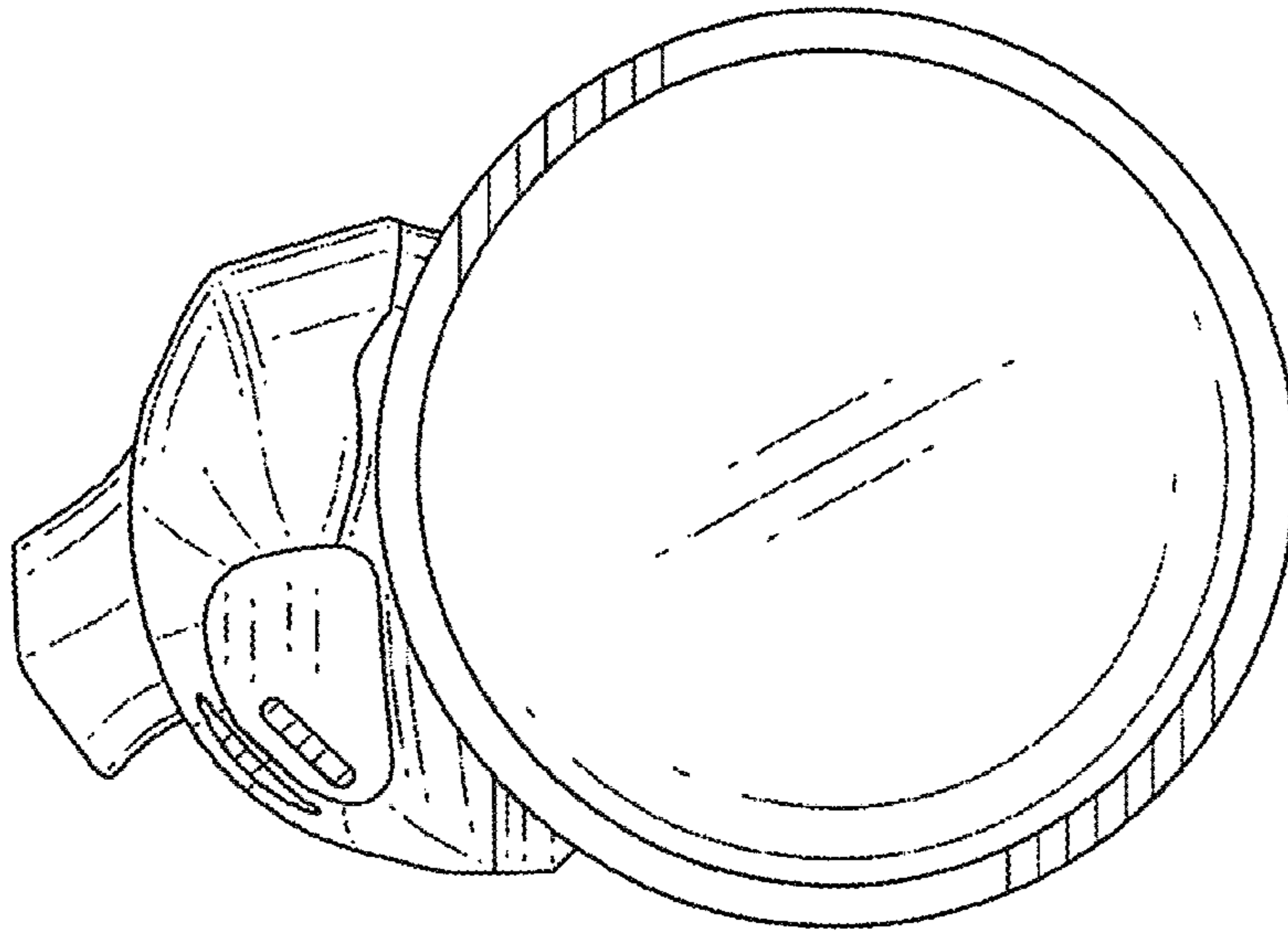


FIG. 13

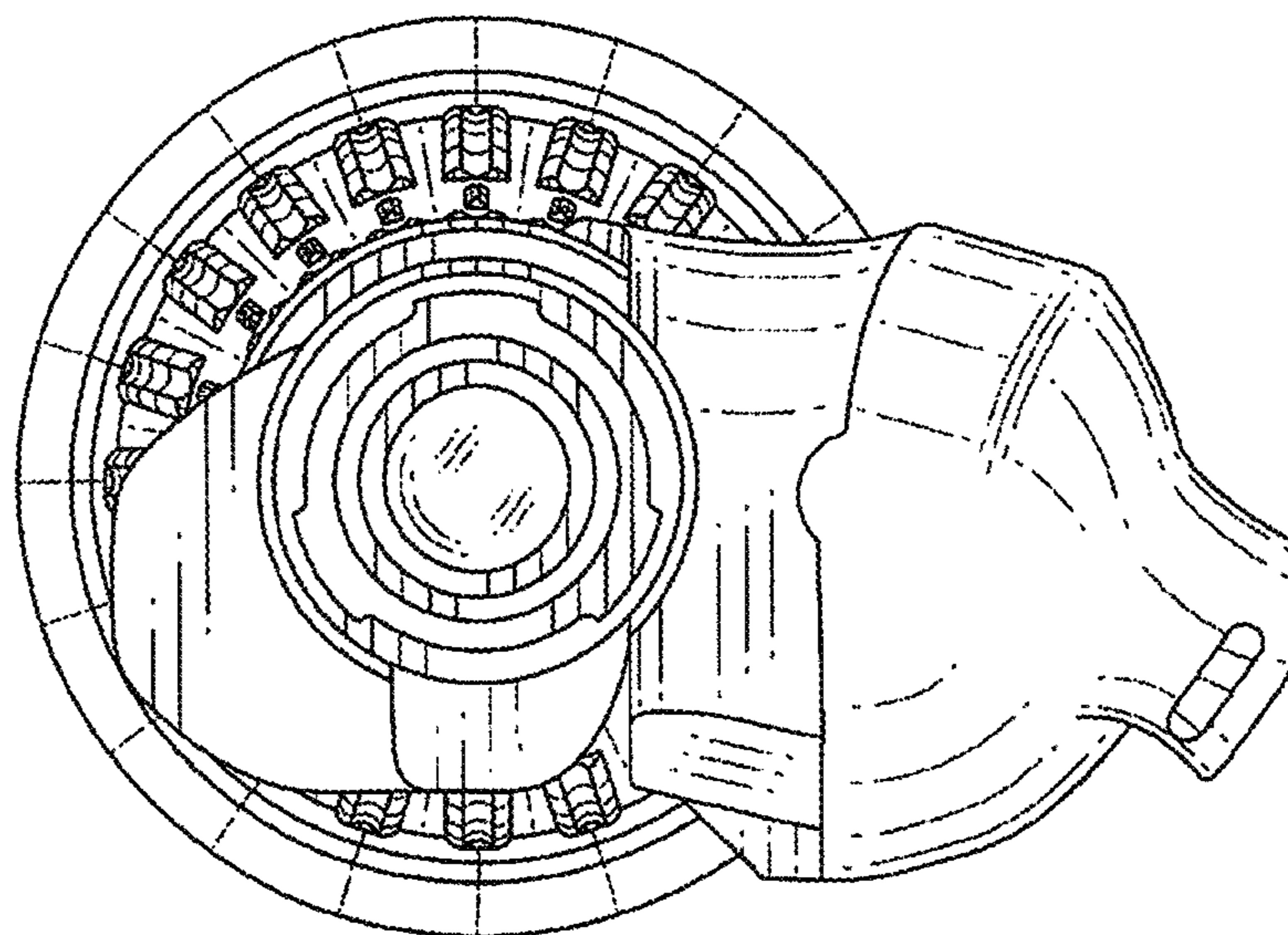


FIG. 14

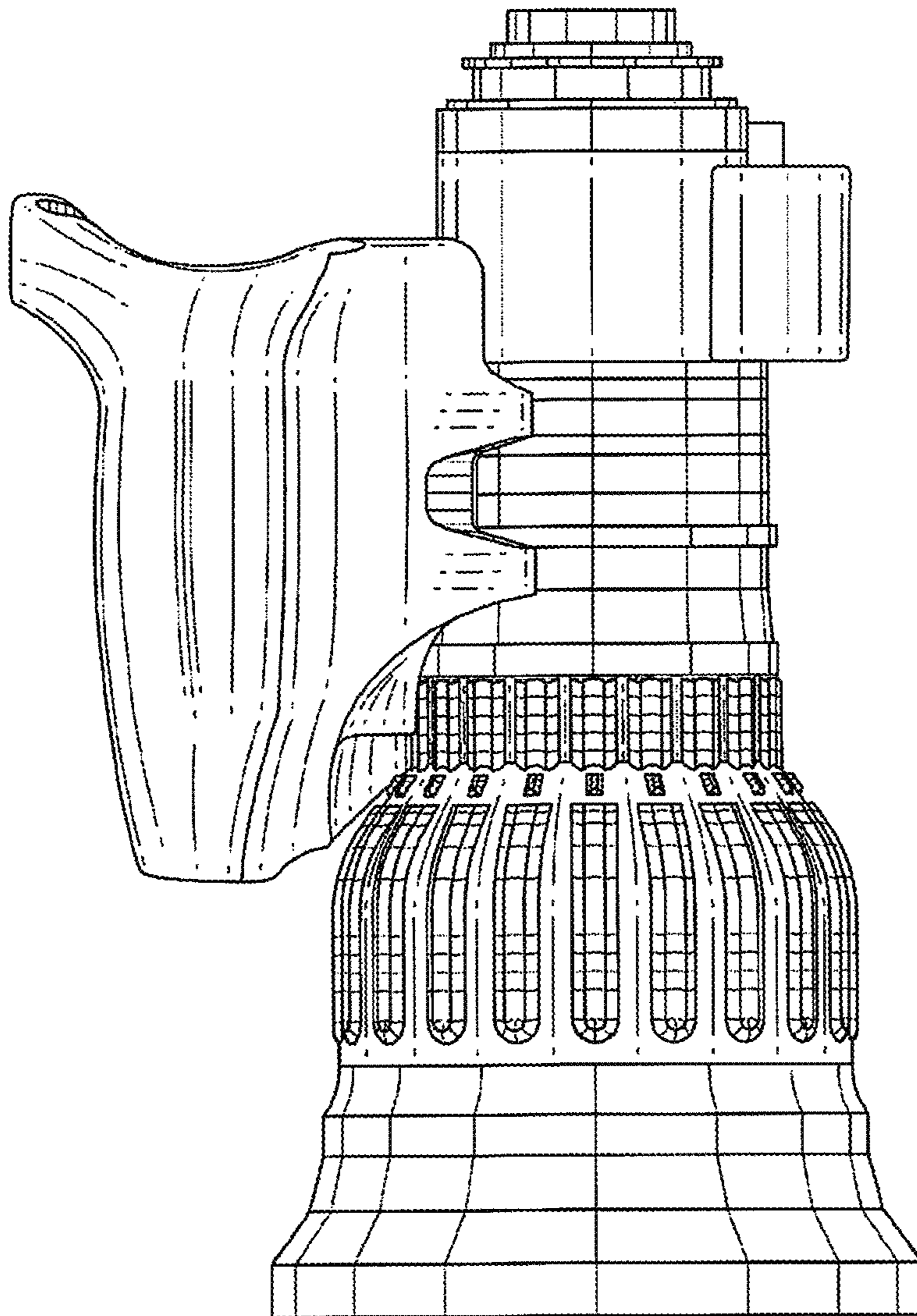


FIG. 15

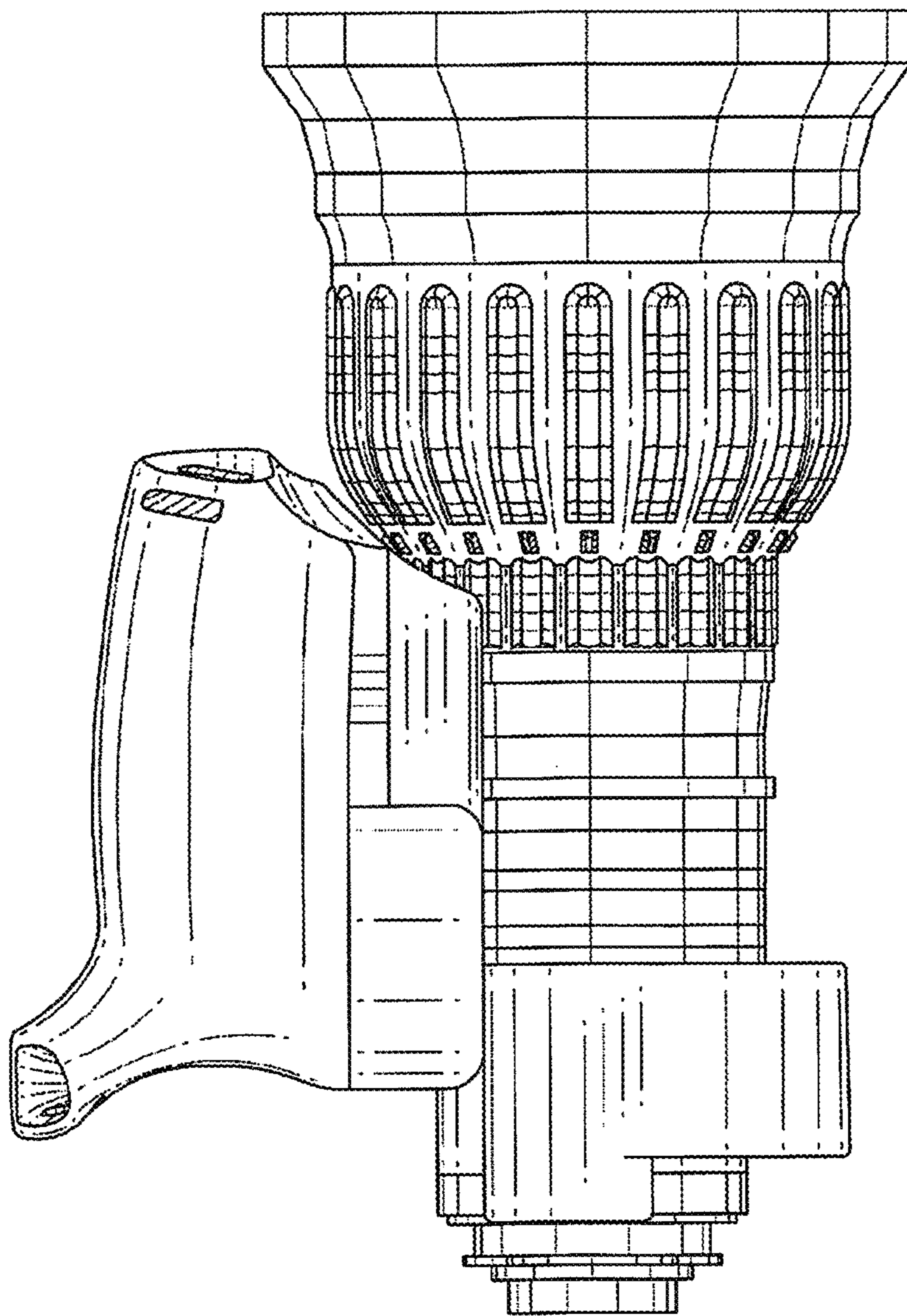


FIG. 16

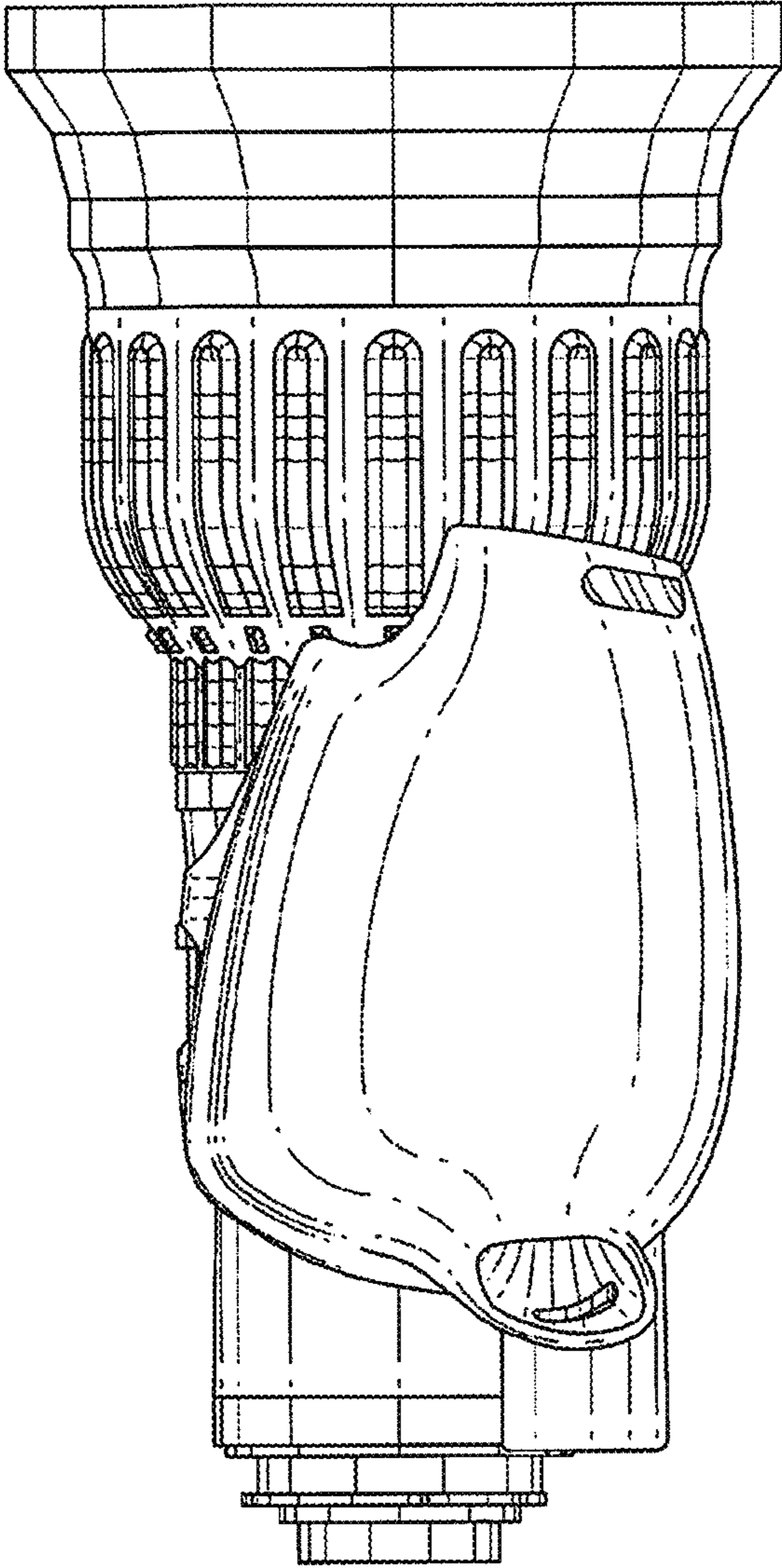


FIG. 17

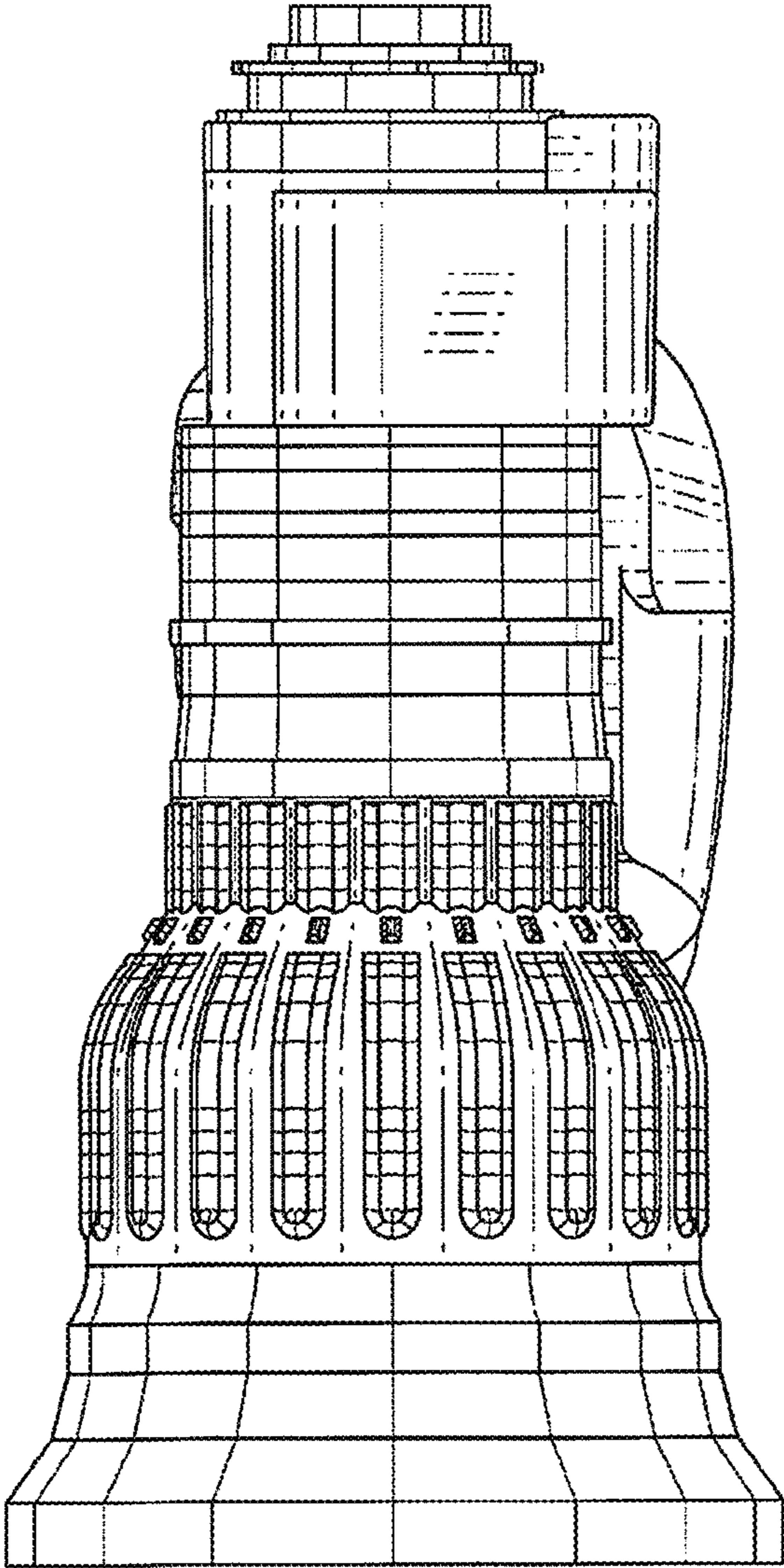


FIG. 18

