



US00D788835S

(12) **United States Design Patent** (10) **Patent No.:** **US D788,835 S**
Wu et al. (45) **Date of Patent:** **** Jun. 6, 2017**

(54) **CAMERA**

(56) **References Cited**

(71) Applicant: **GoPro, Inc.**, San Mateo, CA (US)

U.S. PATENT DOCUMENTS

(72) Inventors: **Chao-Hsien Wu**, New Taipei (TW);
Pei-Jen Lin, New Taipei (TW); **Fu-Lin Yang**, New Taipei (TW); **Hung-Yu Chen**, New Taipei (TW); **Pei-Yi Ou-Yang**, New Taipei (TW);
Cheng-Ming Wu, New Taipei (TW);
Feng-Chun Huang, New Taipei (TW)

4,646,141	A *	2/1987	Timmermans	H01J 29/867 348/262
D339,365	S *	9/1993	Urcuilio	D16/203
D441,386	S *	5/2001	Yamazaki	D16/203
D442,982	S *	5/2001	Adachi	D16/203
D504,904	S *	5/2005	Nagai	D16/203
D616,480	S *	5/2010	Ookawa	D16/218
8,467,675	B2 *	6/2013	Chen	G03B 17/02 348/374
D713,868	S *	9/2014	Yang	D16/202
D727,387	S *	4/2015	Hasegawa	D16/203
D727,991	S *	4/2015	Hasegawa	D16/203
D730,423	S *	5/2015	Vandenbussche	D16/218
2011/0216195	A1 *	9/2011	Tanaka	H04N 5/2253 348/148
2011/0317065	A1 *	12/2011	Lin	G03B 17/02 348/373

(73) Assignee: **GoPro, Inc.**, San Mateo, CA (US)

(**) Term: **15 Years**

(21) Appl. No.: **29/567,797**

(22) Filed: **Jun. 13, 2016**

Related U.S. Application Data

(63) Continuation of application No. 29/500,825, filed on Aug. 28, 2014, now Pat. No. Des. 762,759.

(30) **Foreign Application Priority Data**

Jul. 11, 2014 (CN) 2014 3 0234167

(51) **LOC (10) Cl.** **16-01**

(52) **U.S. Cl.**
USPC **D16/218**

(58) **Field of Classification Search**

USPC D14/172, 194, 204, 221; D16/200–205,
D16/208, 217–219; 348/148, 373–376;
396/529, 535–541
CPC G03B 15/03; G03B 17/02; G03B 17/04;
G03B 17/56; G03B 19/04; H04N 5/2251;
H04N 5/2252; H04N 5/2253; H04N
5/2254; H04N 2101/00

See application file for complete search history.

* cited by examiner

Primary Examiner — Philip S Hyder

Assistant Examiner — Ramzi Almatrahi

(74) *Attorney, Agent, or Firm* — Fenwick & West LLP

(57) **CLAIM**

The ornamental design for a camera, as shown and described.

DESCRIPTION

FIG. 1 is a perspective view of a camera showing our new design.

FIG. 2 is a front elevational view thereof.

FIG. 3 is a rear elevational view thereof.

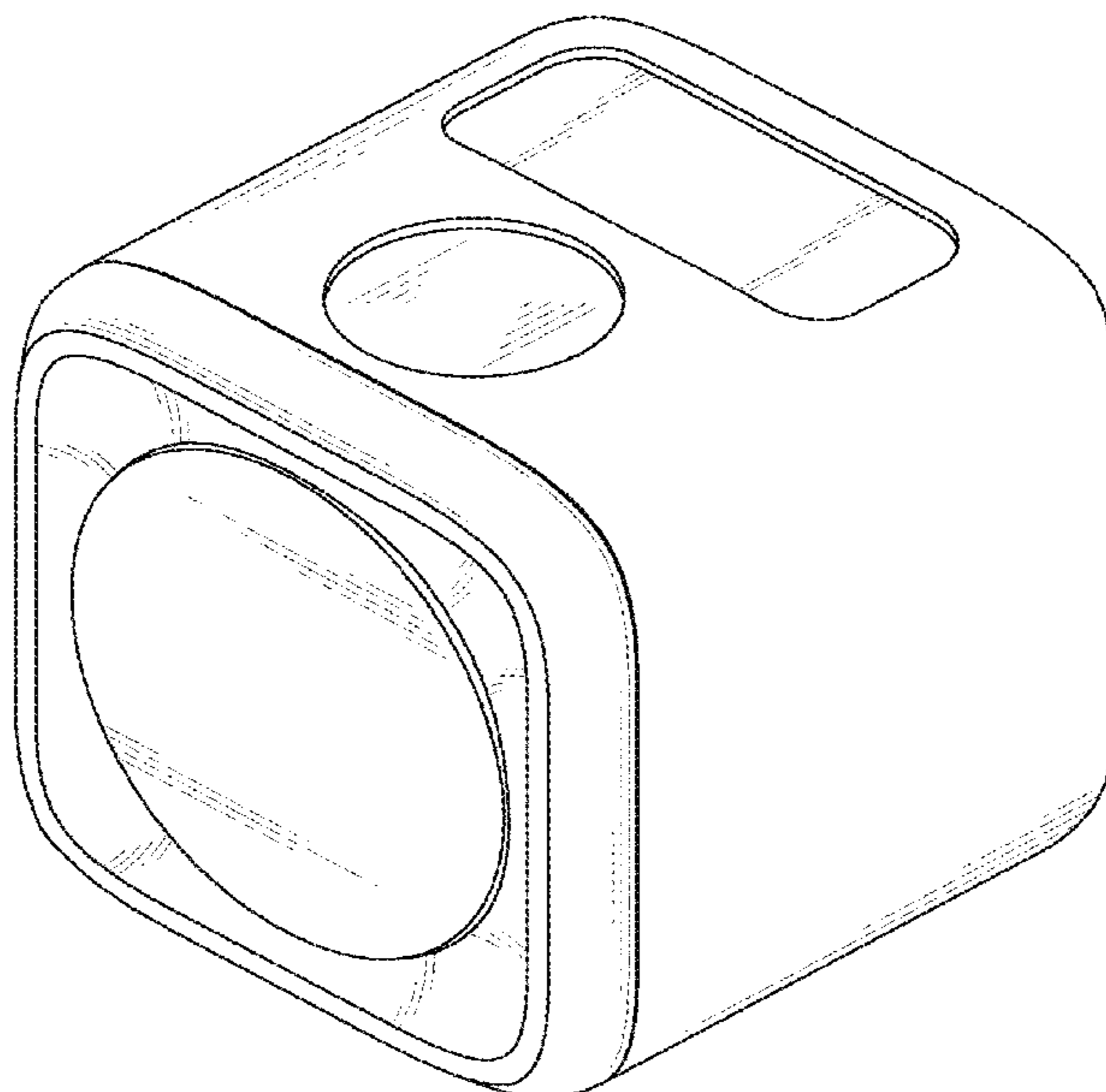
FIG. 4 is a right elevational view thereof.

FIG. 5 is a left elevational view thereof.

FIG. 6 is a top plan view thereof; and,

FIG. 7 is a bottom plan view thereof.

1 Claim, 7 Drawing Sheets



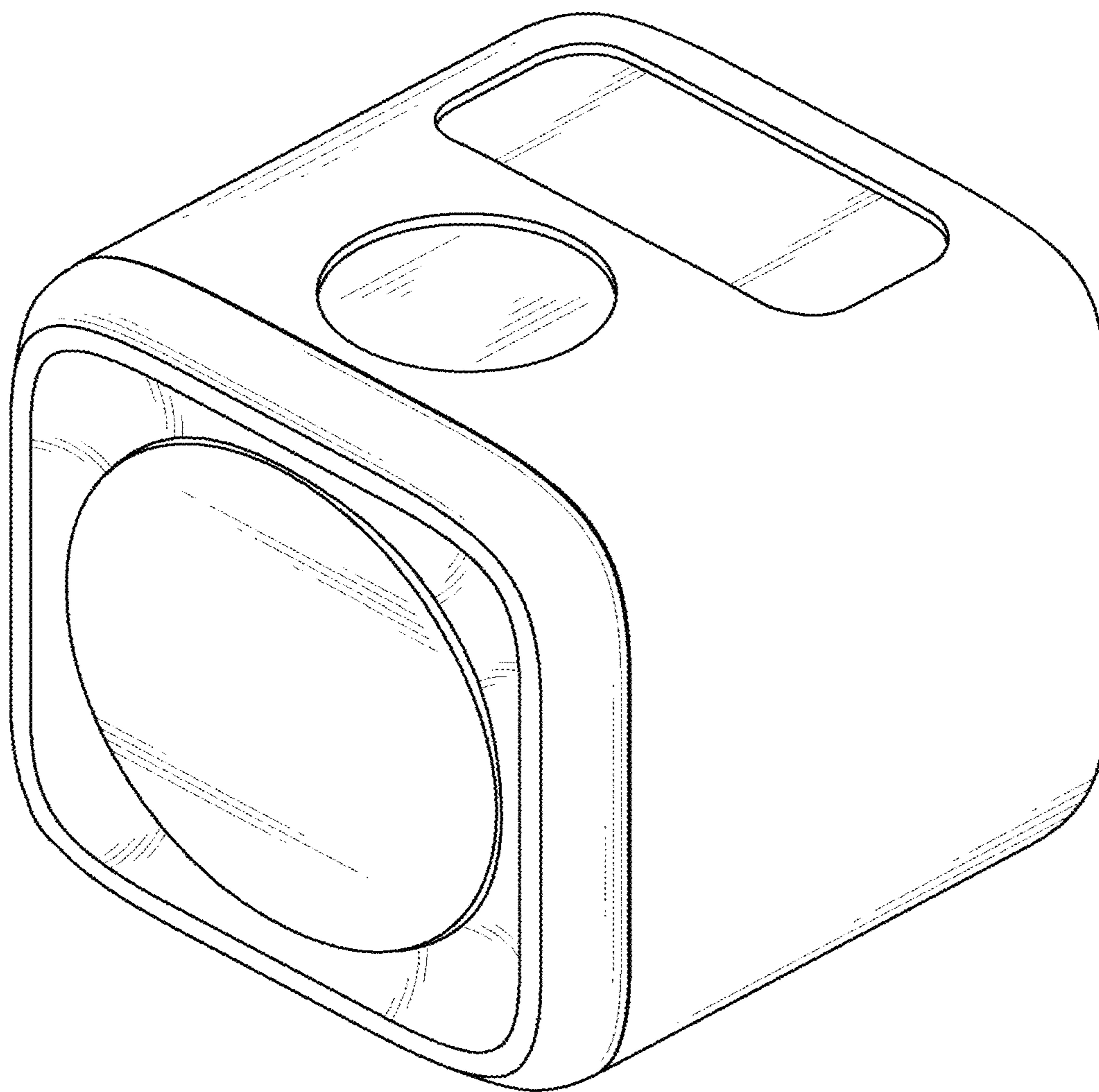


Fig. 1

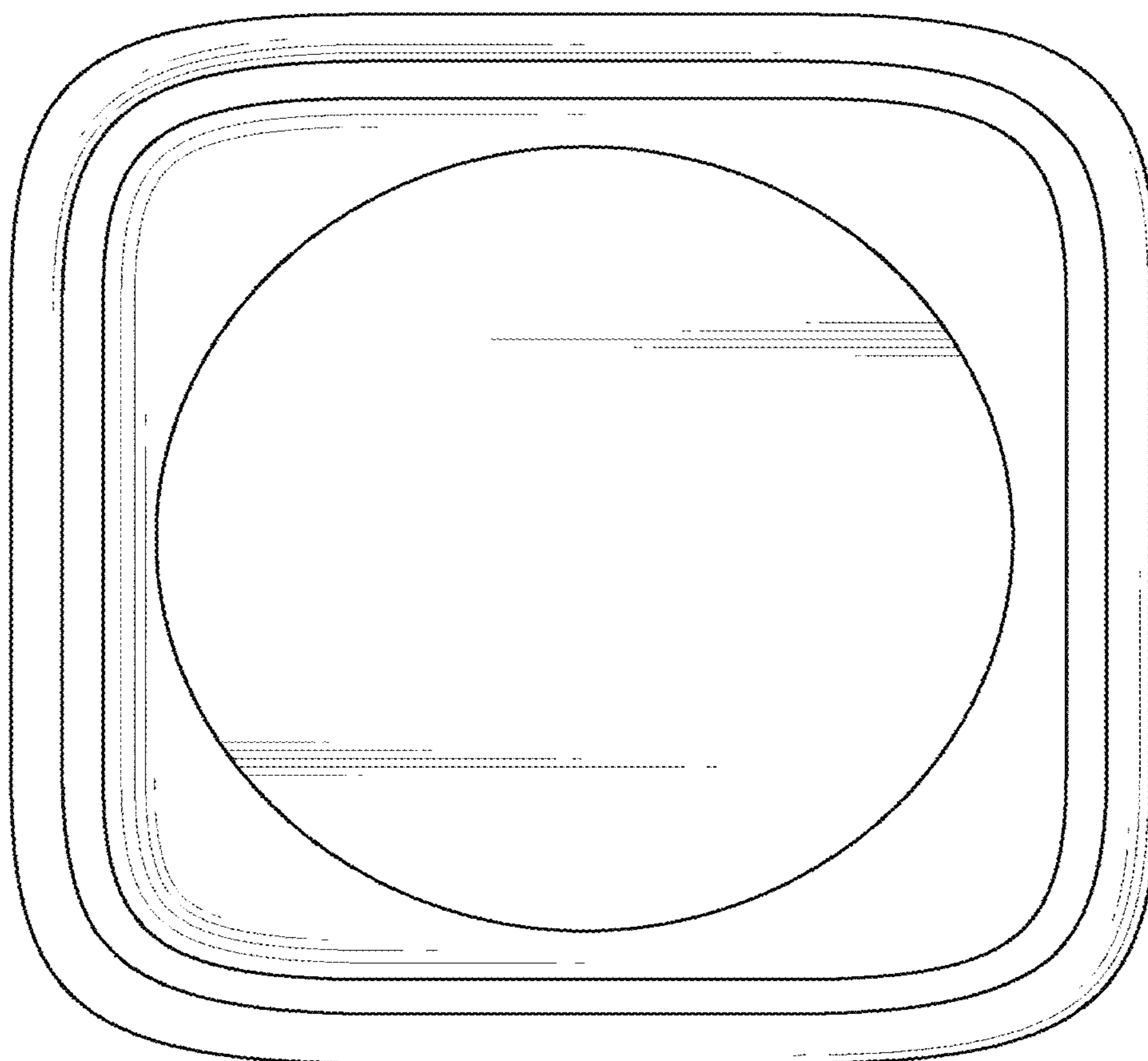


Fig. 2

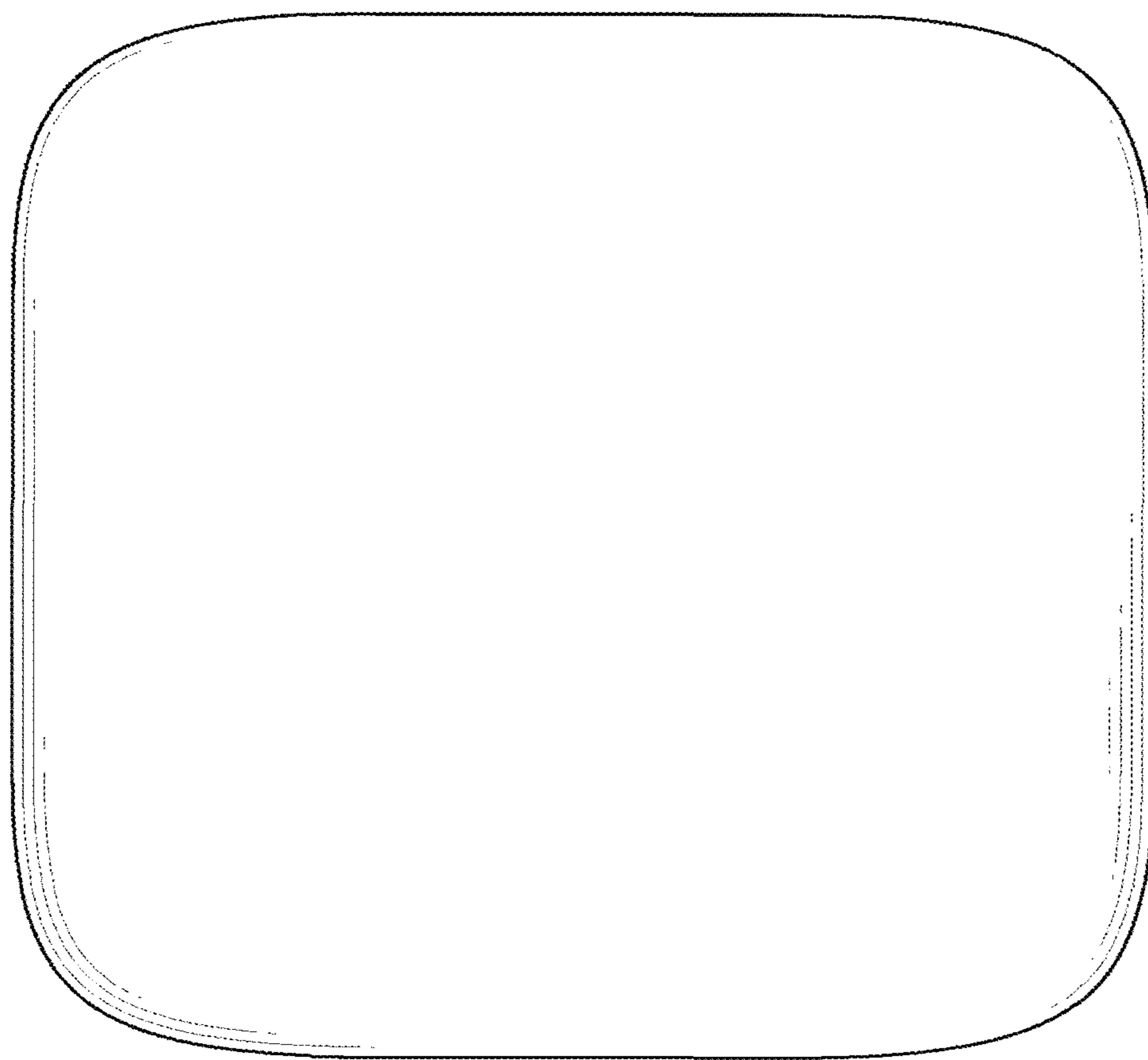


Fig. 3

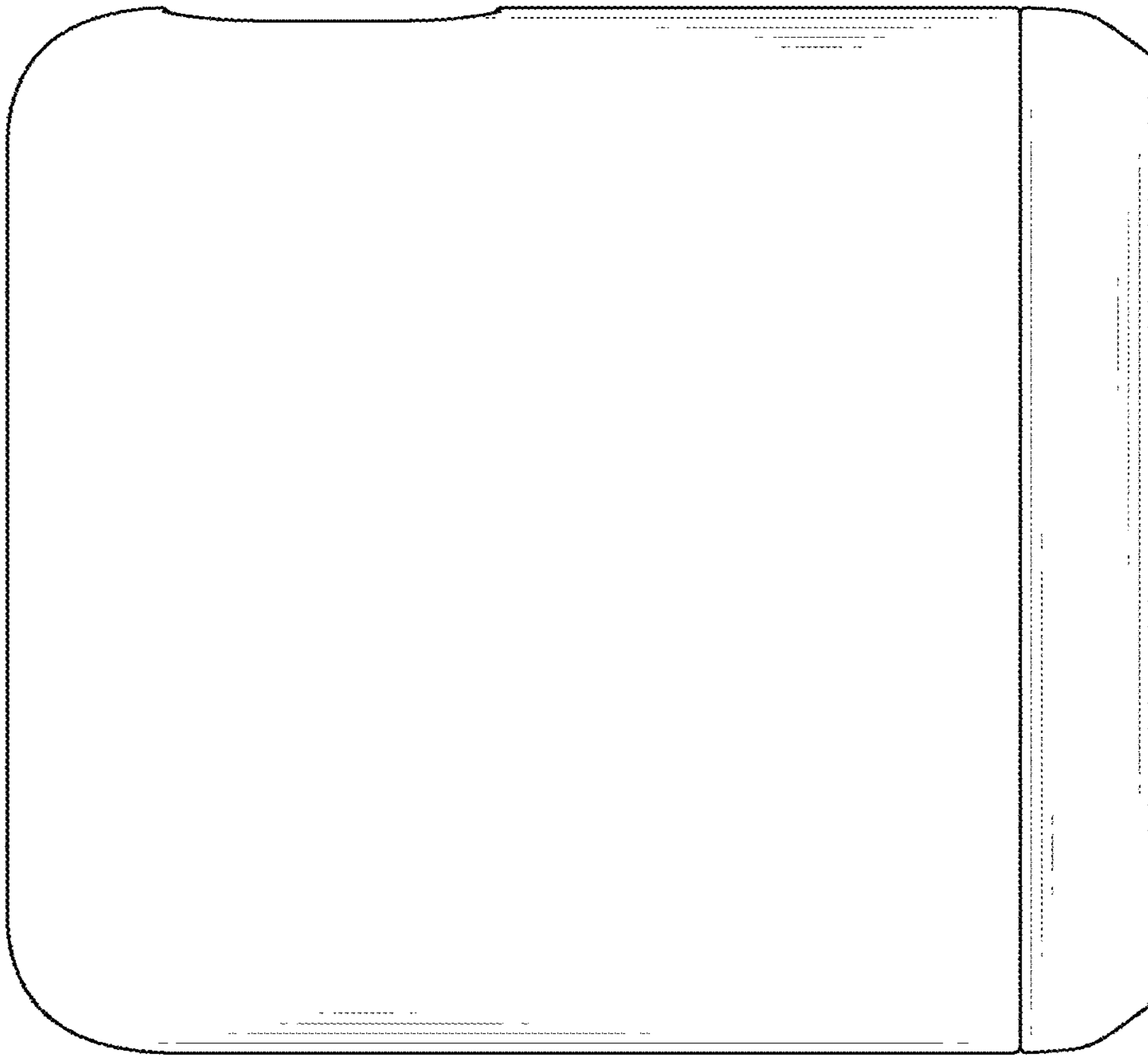


Fig. 4

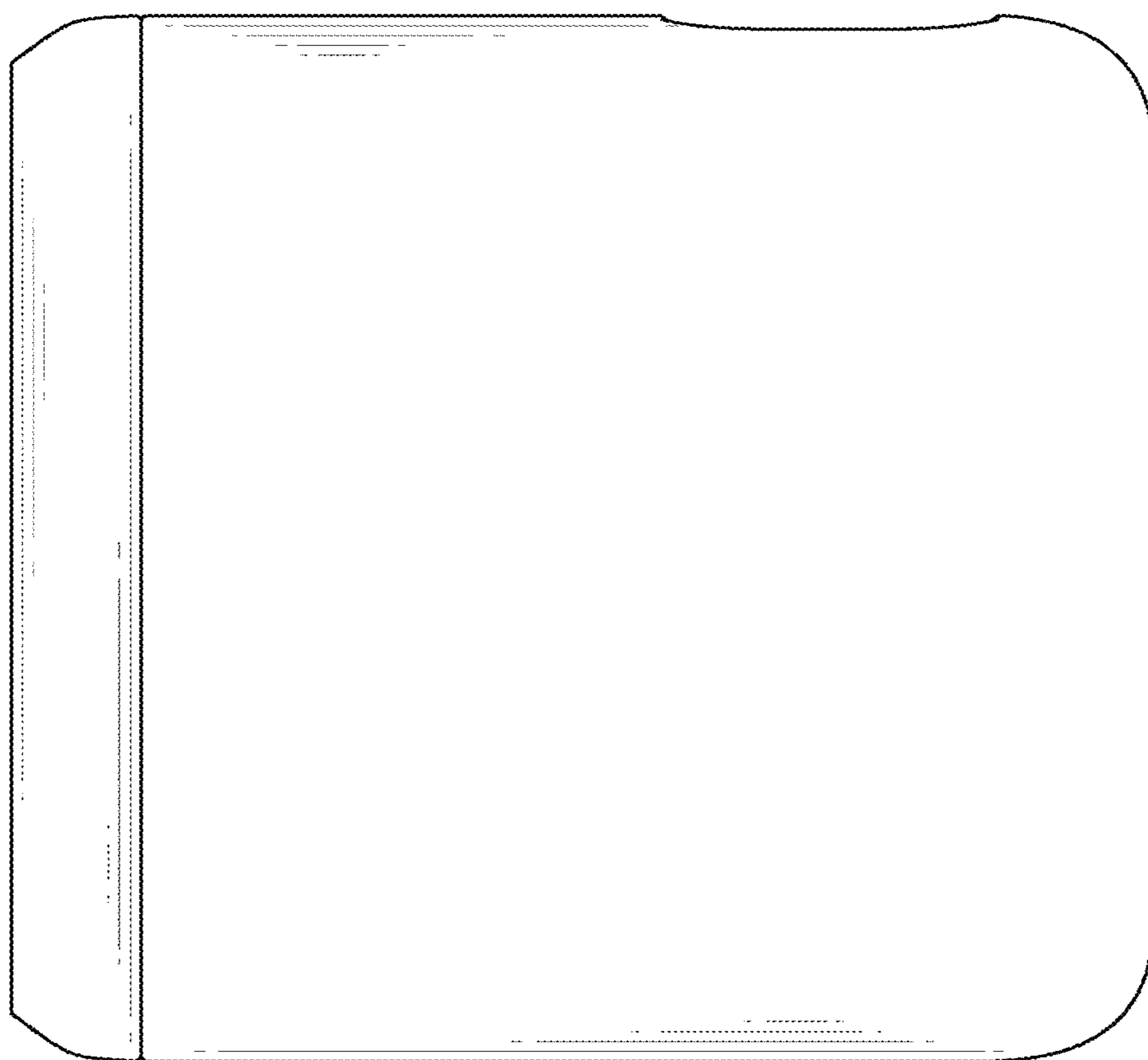


Fig. 5

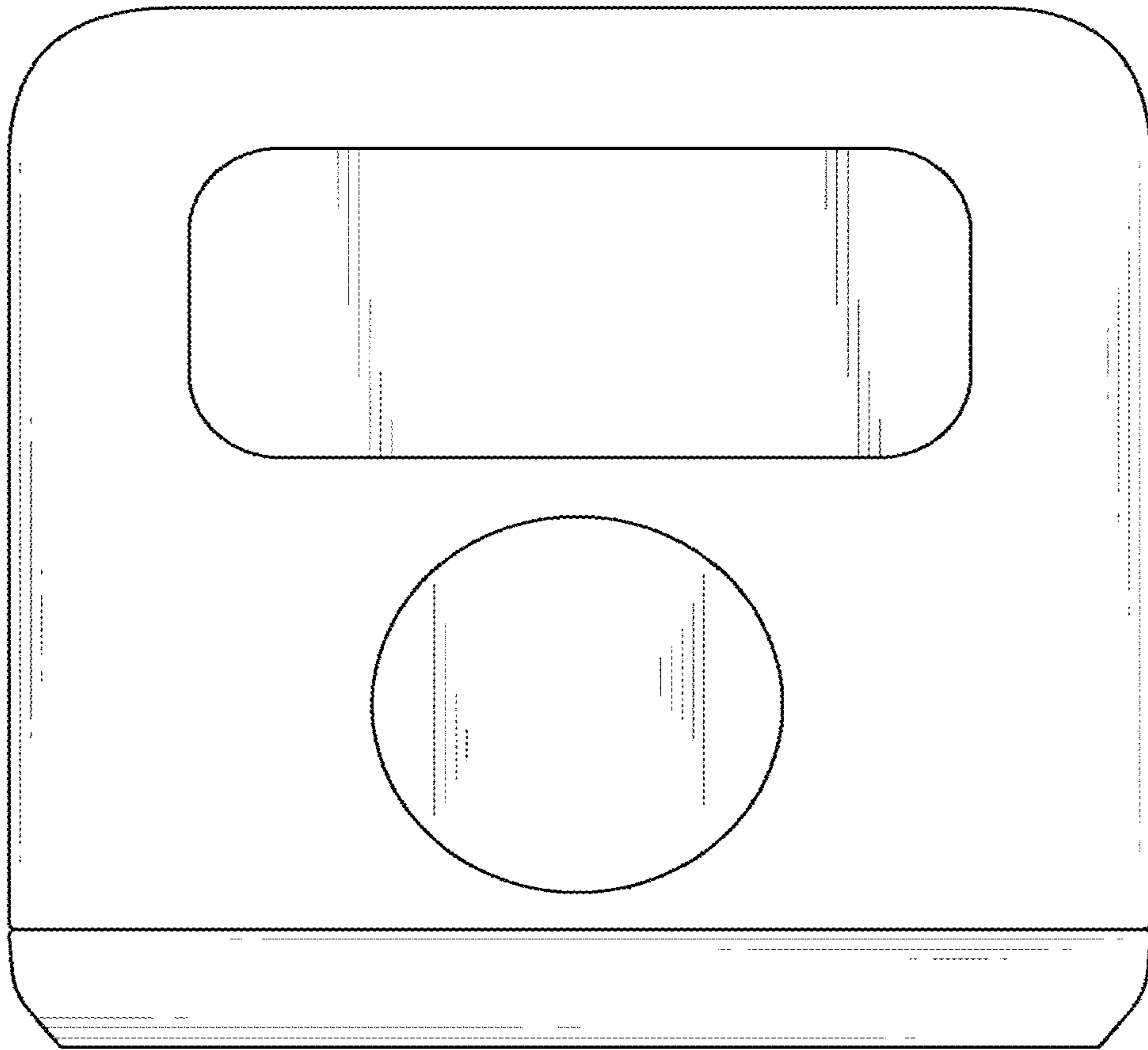


Fig. 6

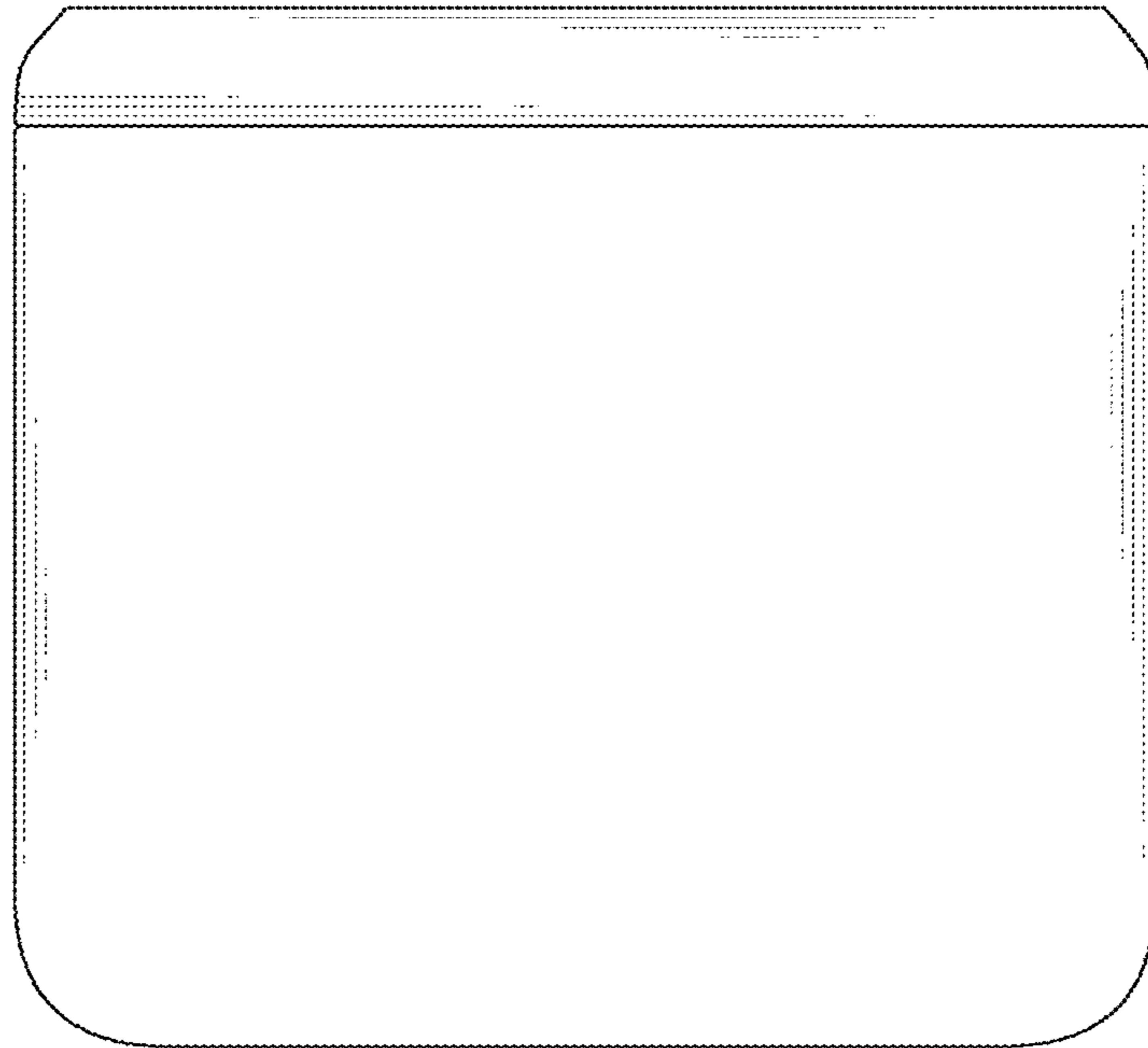


Fig. 7