



US00D788834S

(12) **United States Design Patent**  
**Bhattacharya et al.**

(10) **Patent No.:** **US D788,834 S**

(45) **Date of Patent:** **\*\* Jun. 6, 2017**

(54) **DOORBELL CAMERA**

(71) Applicant: **Vivint, Inc.**, Provo, UT (US)

(72) Inventors: **Abhijeet Bhattacharya**, Draper, UT (US); **Wallace E. Day**, Payson, UT (US)

(73) Assignee: **VIVINT, INC.**, Provo, UT (US)

(\*\*) Term: **14 Years**

(21) Appl. No.: **29/496,624**

(22) Filed: **Jul. 15, 2014**

(51) **LOC (10) Cl.** ..... **16-01**

(52) **U.S. Cl.**  
USPC ..... **D16/203; D16/208**

(58) **Field of Classification Search**  
USPC ..... D16/200, 202–206, 218, 219, 242;  
D10/106.2, 106.3, 106.5, 118.1, 118.2;  
348/143, 148, 151, 373–376; 396/419,  
396/427, 535, 539–541  
CPC ..... G03B 17/02; G03B 19/04; G03B 17/56;  
G03B 17/04; G03B 15/03; H04N 5/2251;  
H04N 5/2252; H04N 5/2253; H04N  
5/2254; H04N 7/181; H04N 7/183; H04N  
7/18; G08B 13/1963; G08B 13/19619;  
G08B 13/19632

See application file for complete search history.

(56) **References Cited**

**U.S. PATENT DOCUMENTS**

D464,365 S \* 10/2002 Su ..... D16/202  
D466,541 S \* 12/2002 Yang ..... D16/202

D477,344 S \* 7/2003 Ng ..... D16/202  
D534,938 S \* 1/2007 Beasley ..... D14/130  
D556,195 S \* 11/2007 Lin ..... D14/480.3  
D612,882 S \* 3/2010 Kim ..... D16/202  
D636,424 S \* 4/2011 Lin ..... D16/202  
D698,841 S \* 2/2014 Lee ..... D16/202  
D732,594 S \* 6/2015 Kawa ..... D16/202

\* cited by examiner

*Primary Examiner* — Philip S Hyder

*Assistant Examiner* — Ramzi Almatrahi

(74) *Attorney, Agent, or Firm* — Holland & Hart

(57) **CLAIM**

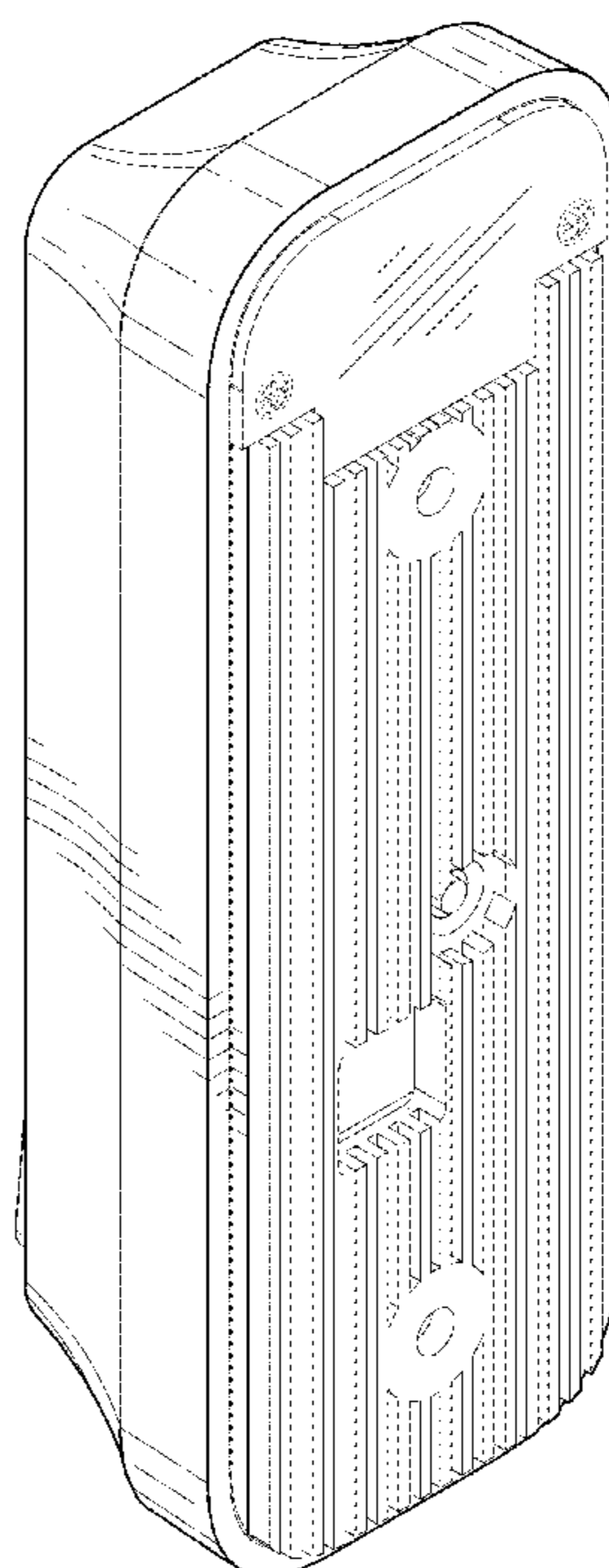
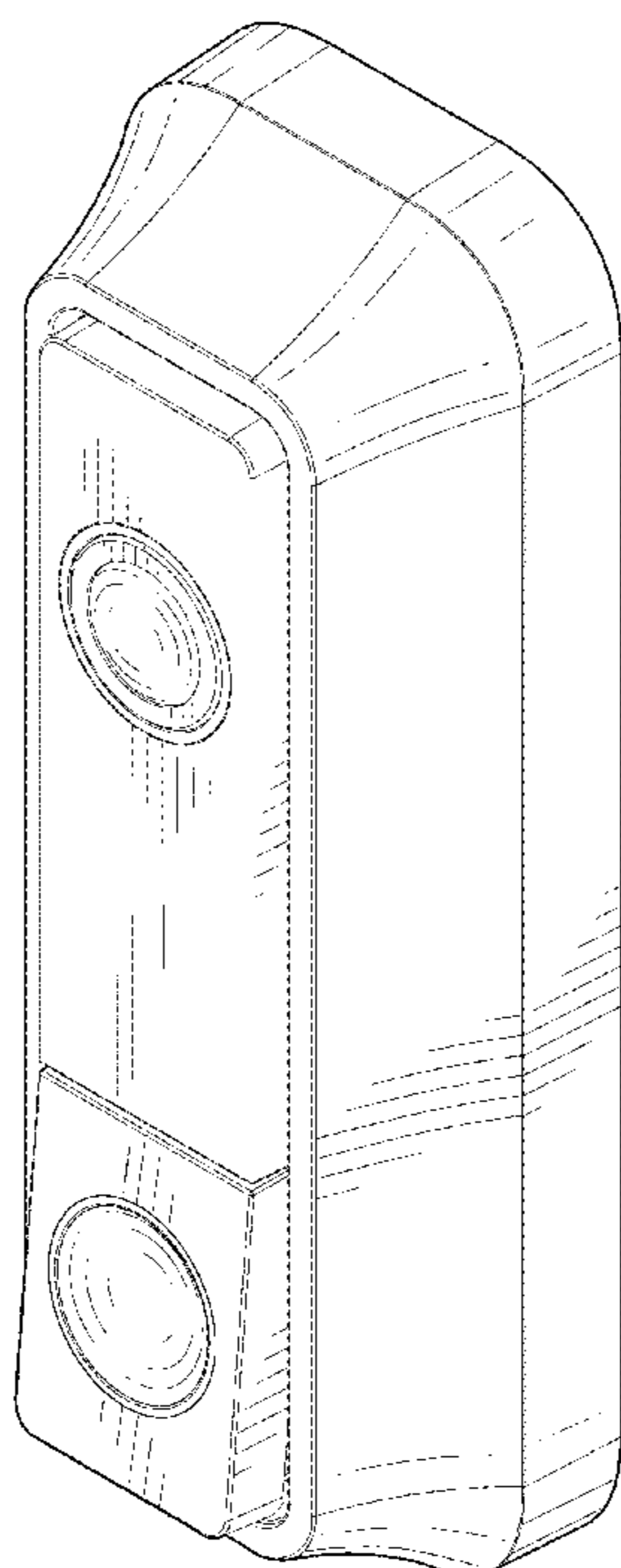
The ornamental design for a doorbell camera, as shown and described.

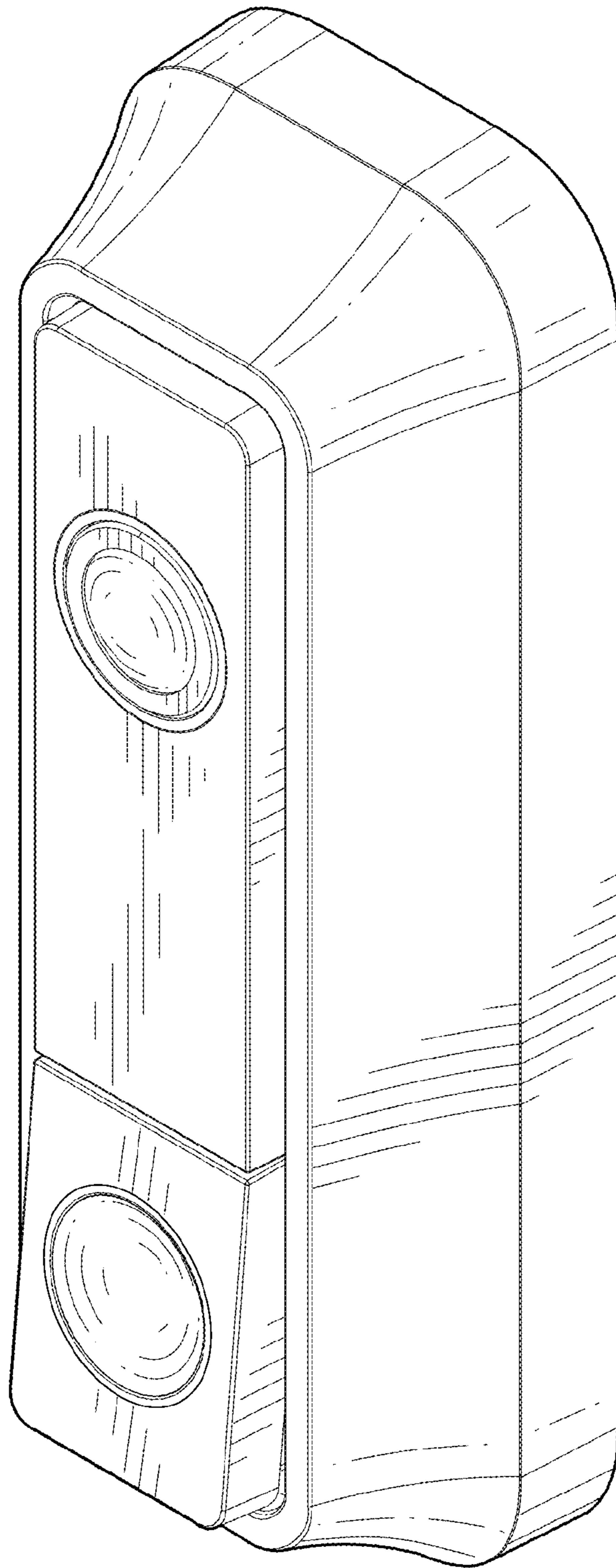
**DESCRIPTION**

FIG. 1 is a top perspective view of a doorbell camera according to the present invention; FIG. 2 is a rear perspective view thereof; FIG. 3 is a front view thereof; FIG. 4 is a right side view thereof; FIG. 5 is a left side view thereof; FIG. 6 is a top view thereof; FIG. 7 is a bottom view thereof; and, FIG. 8 is a rear view thereof.

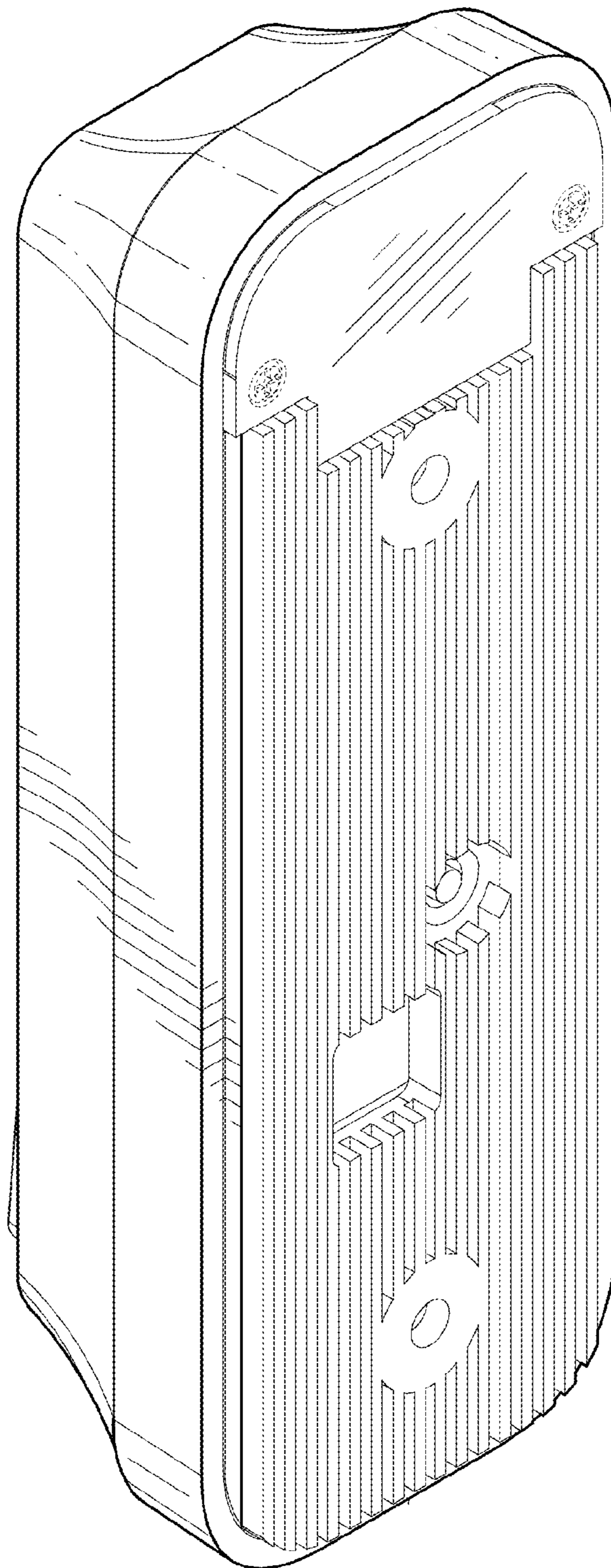
The broken lines depict portions of the doorbell camera in which the design is embodied that form no part of the claimed design.

**1 Claim, 7 Drawing Sheets**



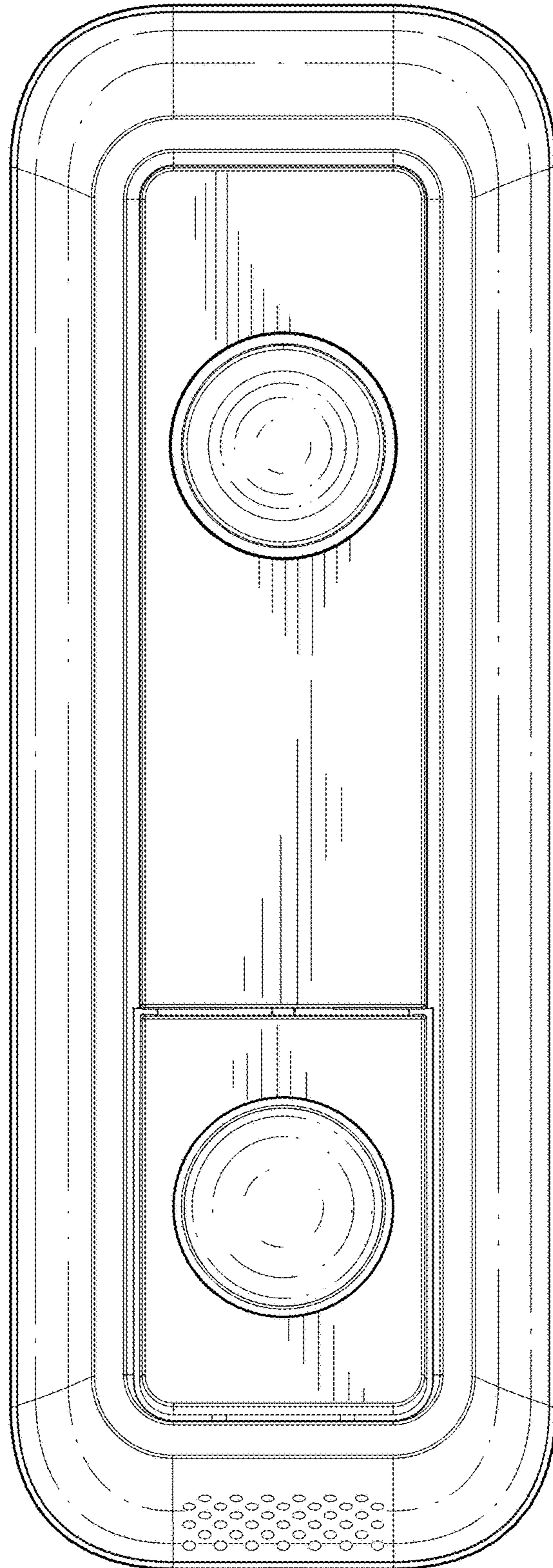


**FIG. 1**

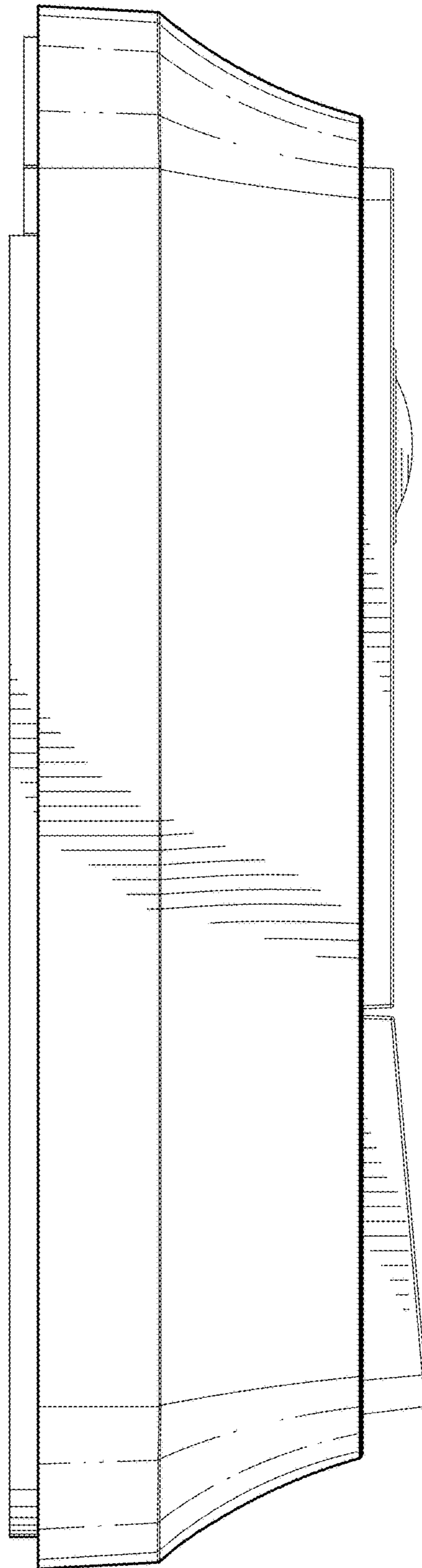


**FIG. 2**

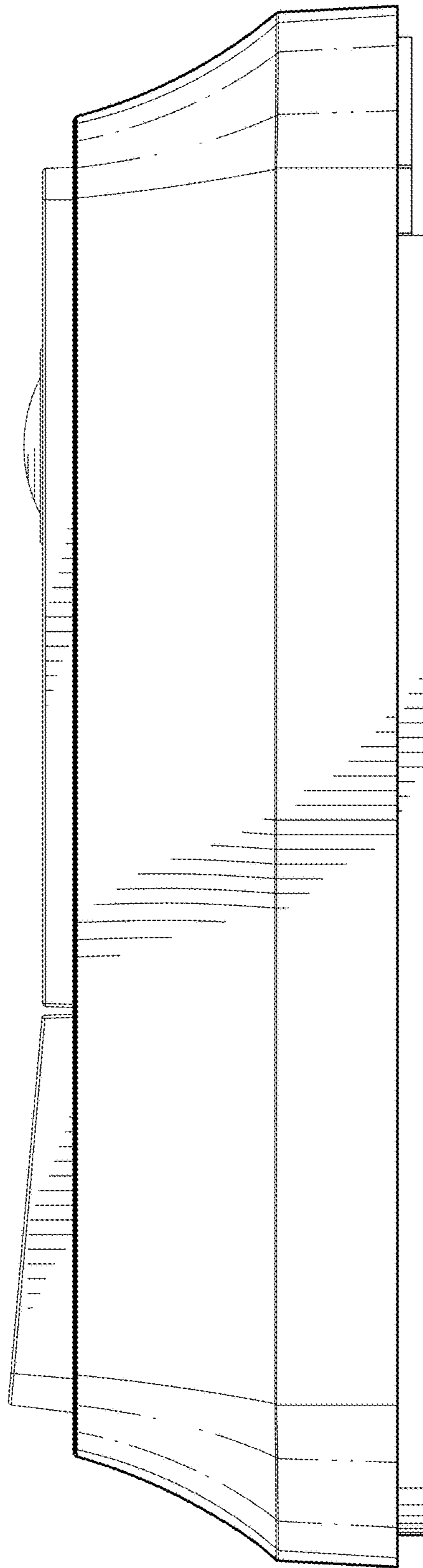




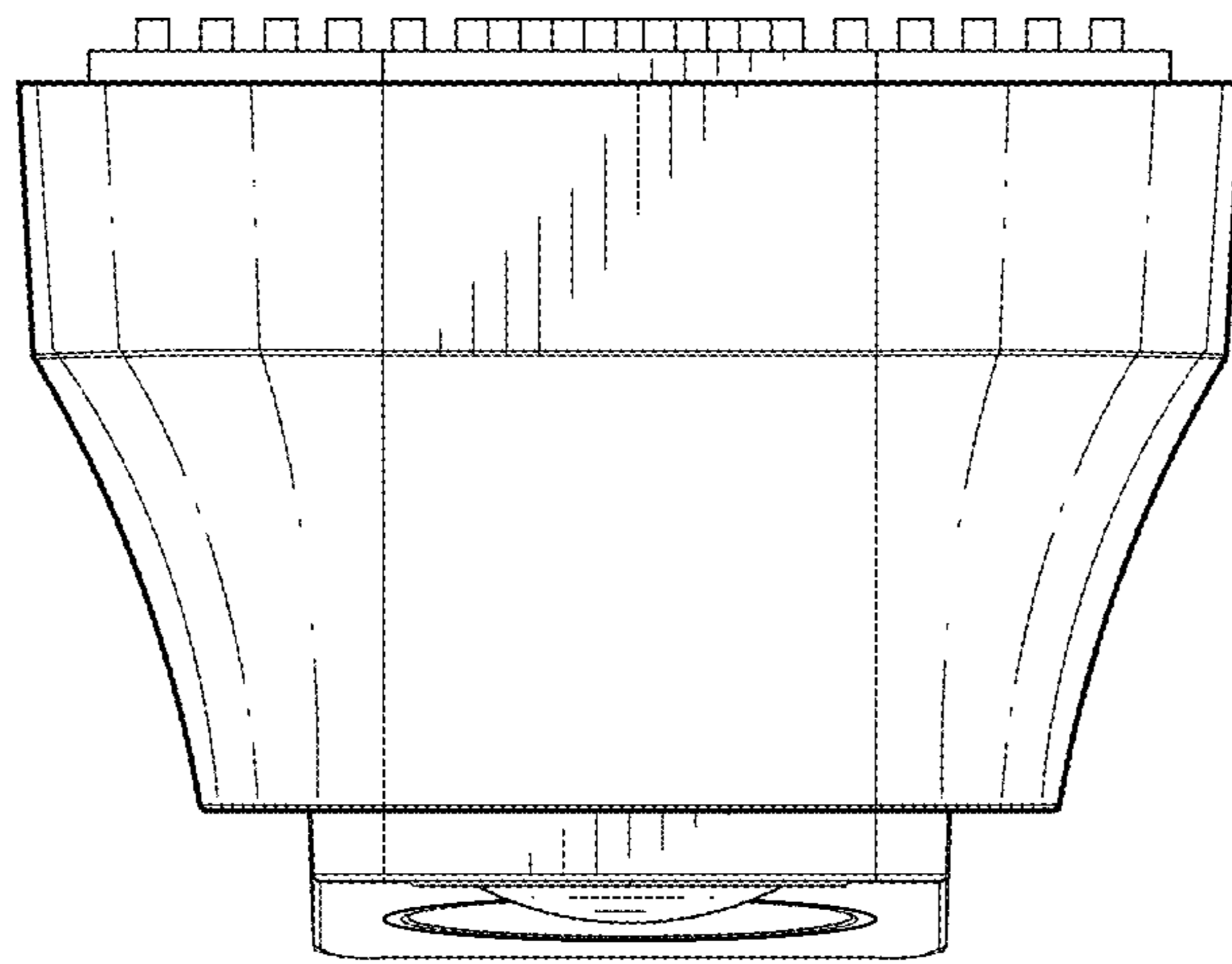
**FIG. 3**



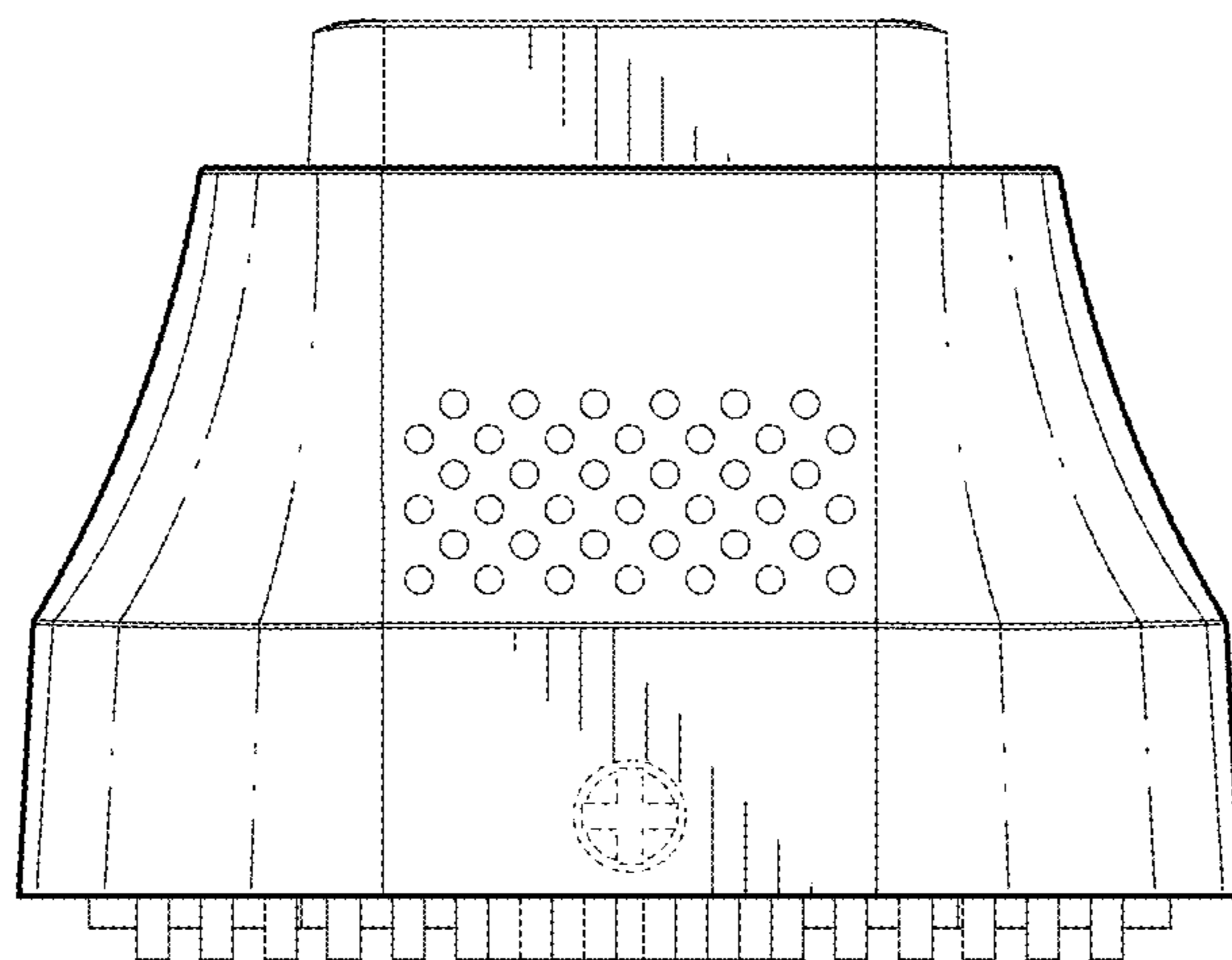
**FIG. 4**



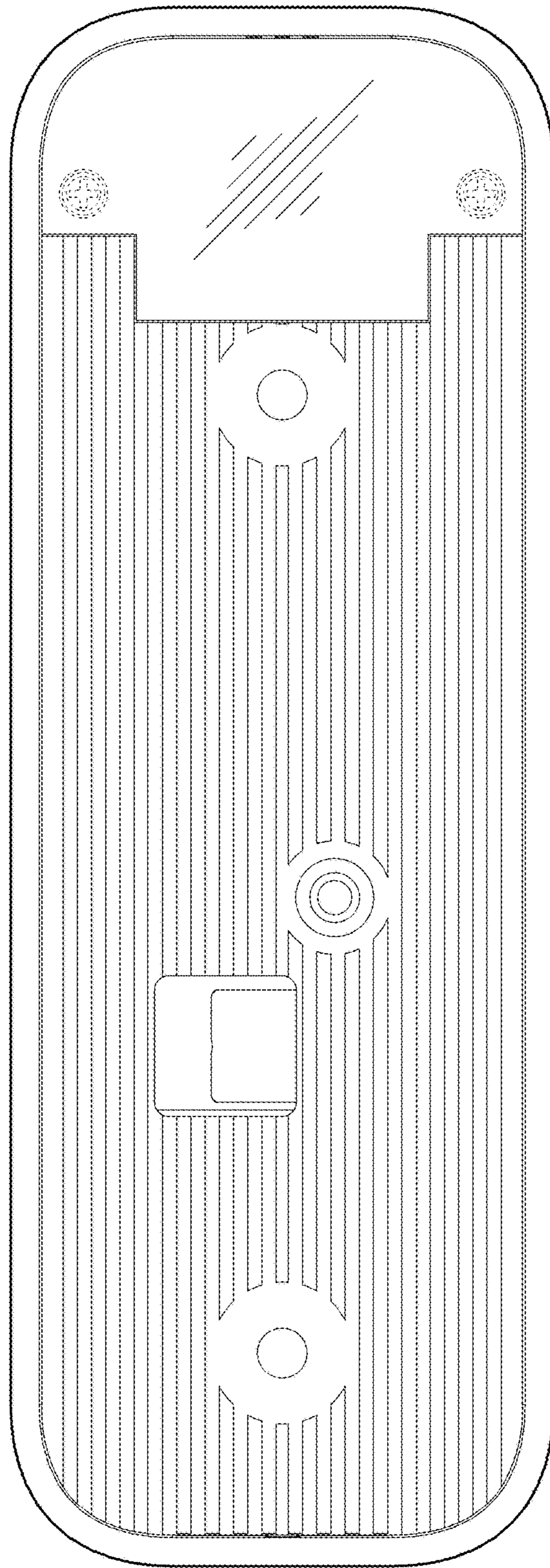
**FIG. 5**



**FIG. 6**



**FIG. 7**



**FIG. 8**