



US00D788831S

(12) **United States Design Patent**  
**Pilz et al.**

(10) **Patent No.:** **US D788,831 S**  
(45) **Date of Patent:** **\*\* Jun. 6, 2017**

(54) **BORESCOPE**

FOREIGN PATENT DOCUMENTS

(71) Applicant: **KARL STORZ GmbH & Co. KG**,  
Tuttlingen (DE)

DE 19859155 A1 \* 7/2000 ..... A61B 1/055  
DE 102010039731 A1 \* 3/2012 ..... A61B 1/00112

(72) Inventors: **Kevin Pilz**, Tuttlingen (DE); **Peter Eisenkolb**, Tuttlingen (DE);  
**Hermann-Josef Frings**, Aachen (DE);  
**Gunter Moik**, Aachen (DE)

OTHER PUBLICATIONS

Modular Rigid Borescope System with Swivel Lenses, posted on fiberscope.net, no posted date available, no production date posted, [online], [site visited Mar. 16, 2017], Available from Internet, <URL: <http://www.fiberscope.net/modular-rigid-borescope-system-with-swivel-lenses.html>>.\*

(73) Assignee: **KARL STORZ GmbH & Co. KG**,  
Tuttlingen (DE)

(Continued)

(\*\*) Term: **15 Years**

*Primary Examiner* — Melanie H Tung

(21) Appl. No.: **29/568,841**

*Assistant Examiner* — Fritzgerald Butac

(22) Filed: **Jun. 22, 2016**

(74) *Attorney, Agent, or Firm* — Muncy, Geissler, Olds & Lowe, P.C.

(30) **Foreign Application Priority Data**

(57) **CLAIM**

Dec. 22, 2015 (EM) ..... 002920181-0003

The ornamental design for a borescope, as shown and described.

(51) **LOC (10) Cl.** ..... **16-99**

**DESCRIPTION**

(52) **U.S. Cl.**

USPC ..... **D16/130**; D10/46; D10/78; D24/138

(58) **Field of Classification Search**

USPC ..... D10/46, 46.2, 47, 50, 57, 72, 74, 76, 78,  
D10/80, 100, 102, 103, 124, 125;  
D16/130; D24/133, 137, 138

CPC ..... G02B 23/2484; G02B 23/2492

See application file for complete search history.

FIG. 1 is a front perspective view of a borescope according to the present invention.

FIG. 2 is a front view of the borescope of FIG. 1, on an enlarged scale.

FIG. 3 is a rear view of the borescope of FIG. 1, on an enlarged scale.

FIG. 4 is a left side view of the borescope of FIG. 1.

FIG. 5 is a right side view of the borescope of FIG. 1.

FIG. 6 is a top view of the borescope of FIG. 1; and,

FIG. 7 is a bottom view of the borescope of FIG. 1.

The broken line showing a part of the borescope is for the purpose of illustrating a portion of the borescope that forms no part of the claimed design.

The dash-dash broken line represents a symbolic break within the borescope. The appearance of any portion of the article between the symbolic break forms no part of the claimed design.

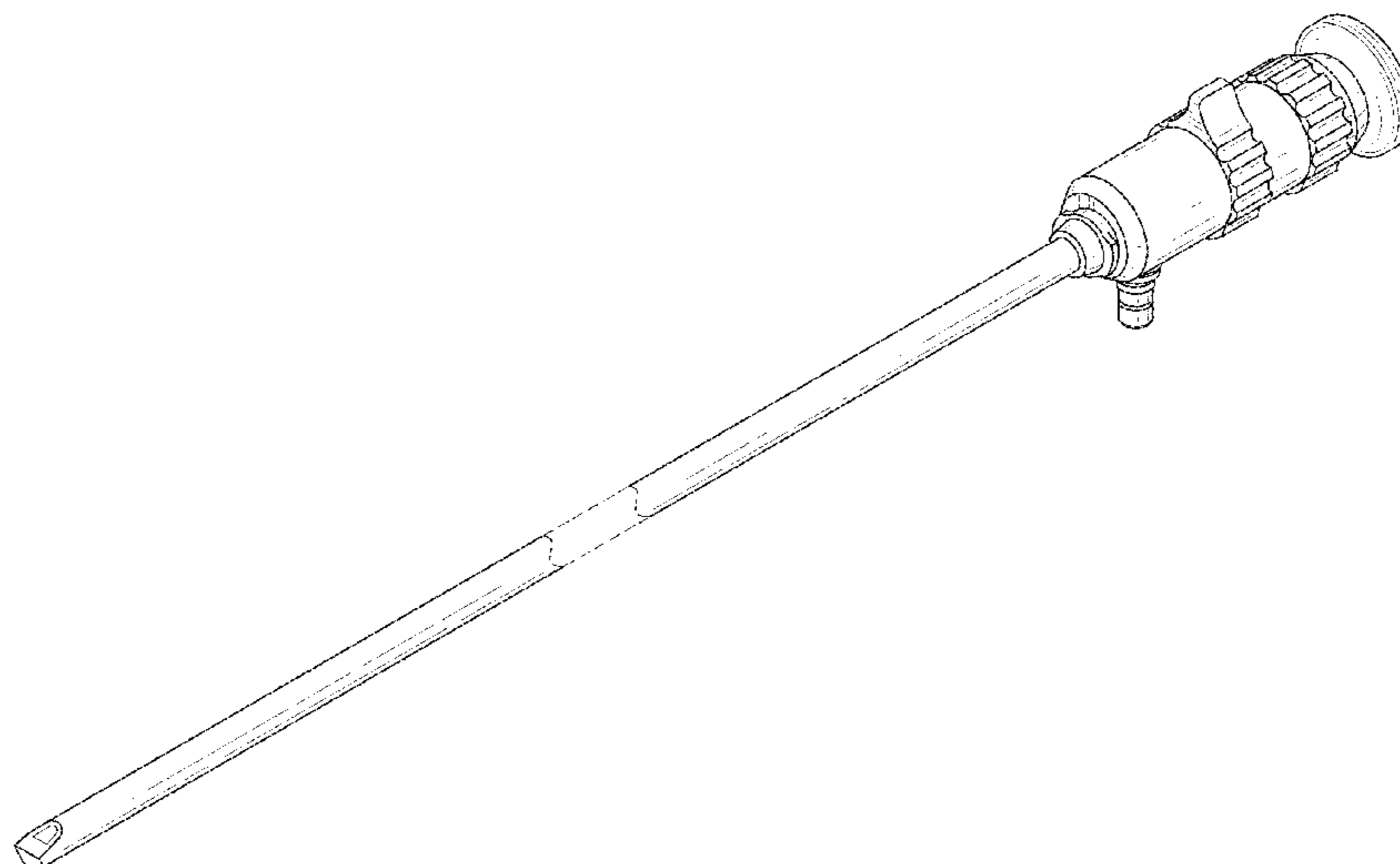
(56) **References Cited**

U.S. PATENT DOCUMENTS

5,199,417 A \* 4/1993 Muller ..... A61B 1/07  
600/128  
D420,131 S \* 2/2000 Renner ..... D24/138  
D428,487 S \* 7/2000 Renner ..... D24/138  
6,113,533 A \* 9/2000 Howes ..... G02B 23/2484  
359/685

(Continued)

**1 Claim, 7 Drawing Sheets**



(56)

References Cited

U.S. PATENT DOCUMENTS

D474,841	S *	5/2003	Price	.....	D24/133
D594,120	S *	6/2009	Berberich	.....	D24/108
D598,099	S *	8/2009	Halbig	.....	D24/138
D605,764	S *	12/2009	Griffis, III	.....	D24/145
D606,194	S *	12/2009	Frey	.....	D24/108
D610,682	S *	2/2010	Stefan	.....	D24/140
D670,383	S *	11/2012	Eisenkolb	.....	D24/137
D670,385	S *	11/2012	Becker	.....	D24/138
D699,341	S *	2/2014	Clark	.....	D24/112
D716,942	S *	11/2014	Eisenkolb	.....	D24/138
D724,200	S *	3/2015	Brannon	.....	D24/112
D753,283	S *	4/2016	Efinger	.....	D24/108
D755,375	S *	5/2016	Stammberger	.....	D24/135
9,510,733	B2 *	12/2016	Yen	.....	A61B 1/126
2007/0088201	A1 *	4/2007	Eisenkolb	.....	A61B 1/0011 600/182
2011/0076134	A1 *	3/2011	Tommasone	.....	F01D 21/003 415/118
2013/0310640	A1 *	11/2013	Hashiba	.....	A61B 1/0052 600/103
2017/0067361	A1 *	3/2017	Bynum	.....	G02B 23/2476

OTHER PUBLICATIONS

55 Series Rigid Borescope, posted on titantoolsupply.com, posted Jun. 1, 2013, no production date given, [online], [site visited Mar. 16, 2017], available from Internet, <URL: <https://www.titantoolsupply.com/Borescope-55-Series>>.\*

Borescope for Rifle Inspection, posted on fiberscope.net, no posted date given, no production date given, [online], [site visited Mar. 16, 2017], Available from Internet, <URL: <http://www.fiberscope.net/rifle-barrel-borescope-inspection-camera-probe>>.\*

81390 B, Borescope, posted on epc.karlstorz.com, no posted date given, no production date given, [online], [site visited Mar. 16, 2017], Available from Internet, <URL: <http://epc.karlstorz.com/epc/Starter.jsp?locale=EN&practiceArea=IE&product=81390A&sid=SID-32A7CE40-7AEC214F>>.\*

\* cited by examiner

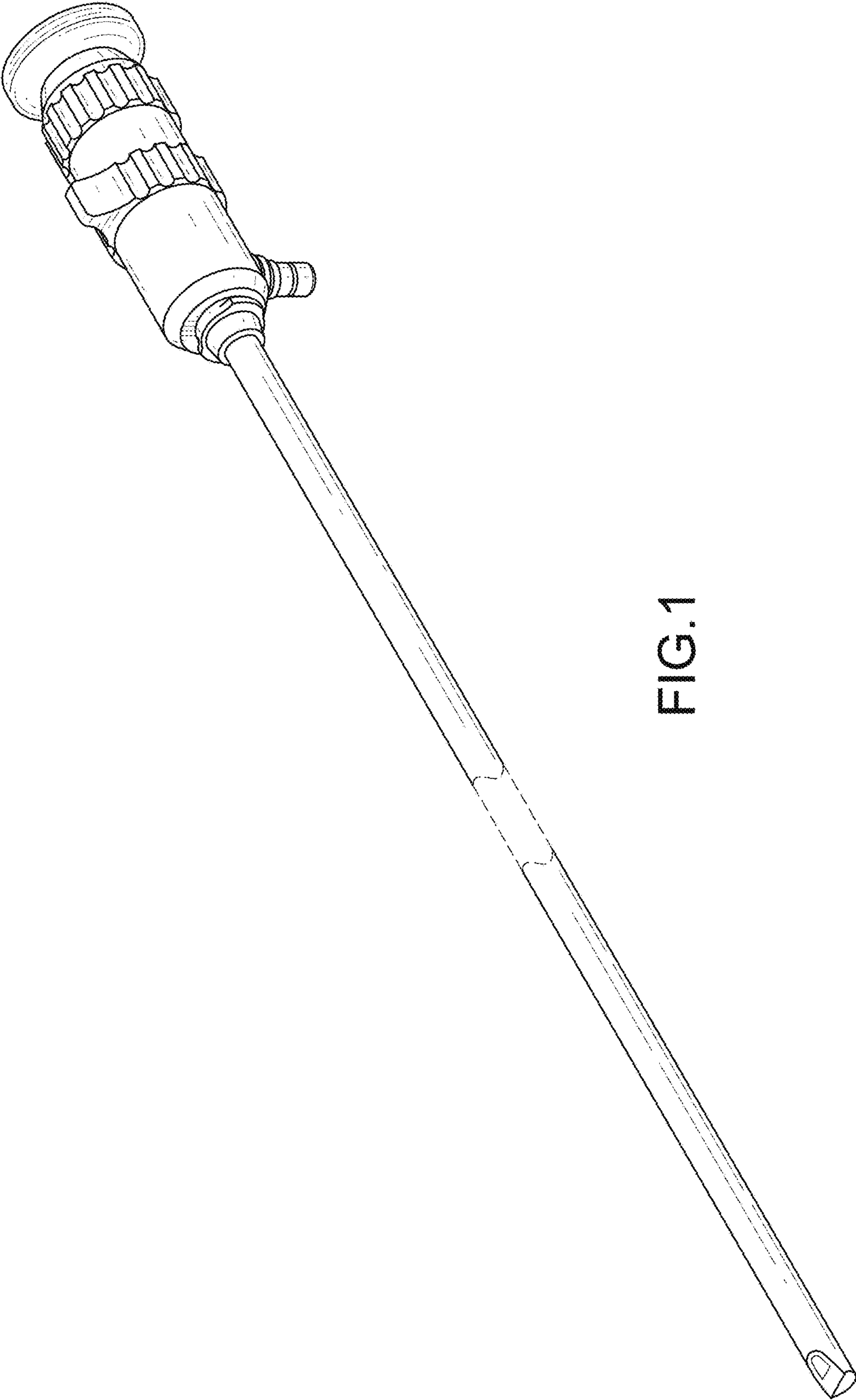


FIG.1

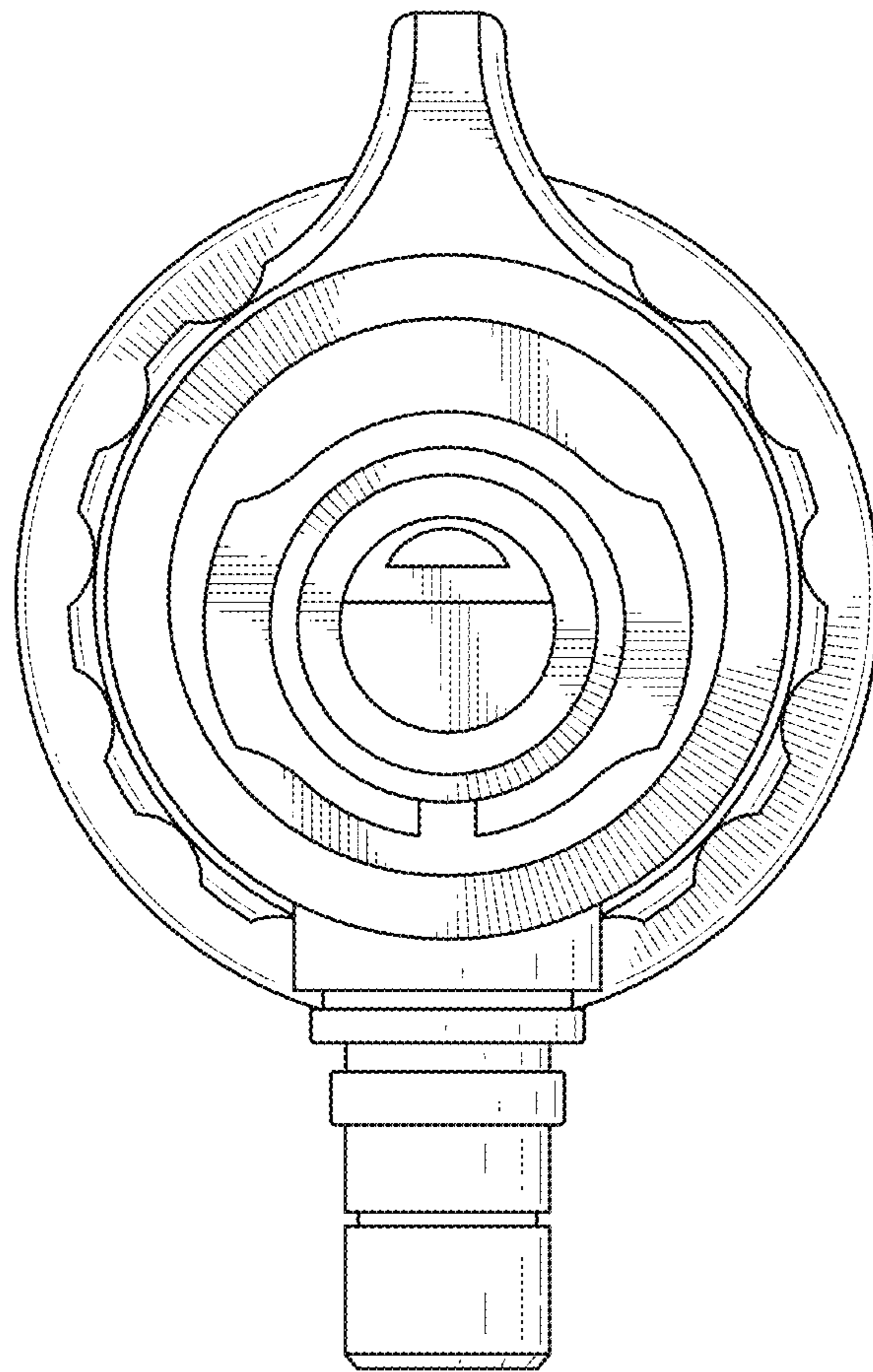


FIG.2

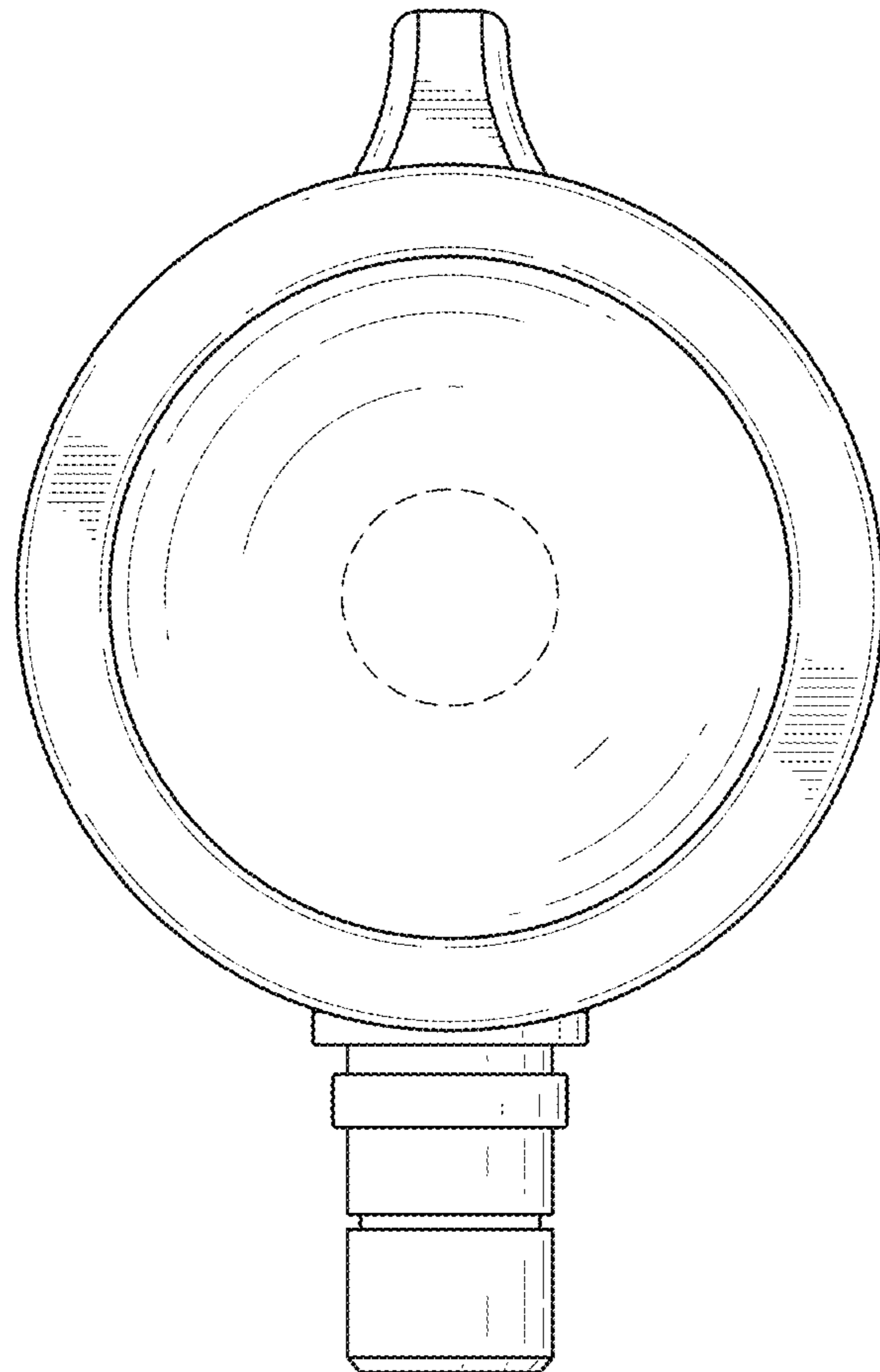


FIG.3

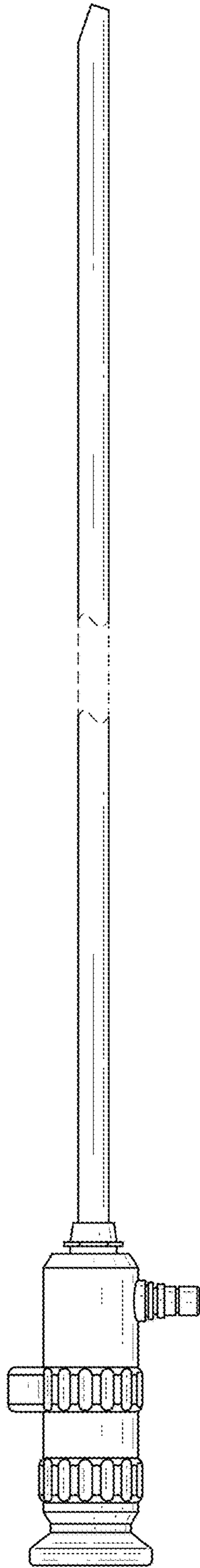


FIG.4

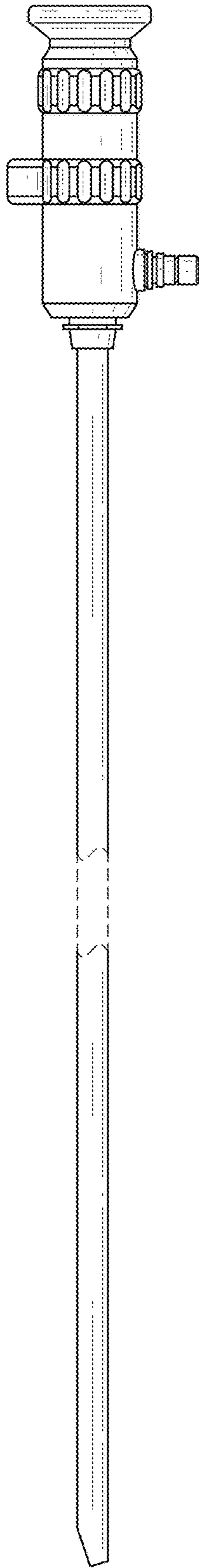


FIG.5

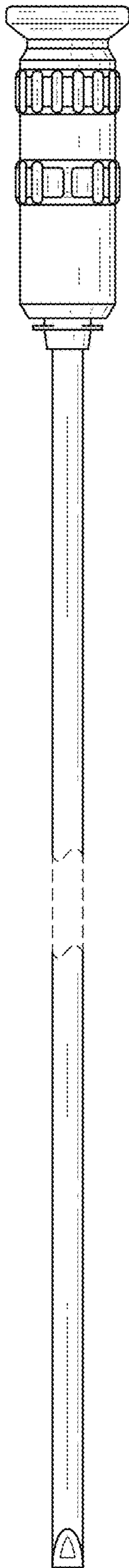


FIG.6



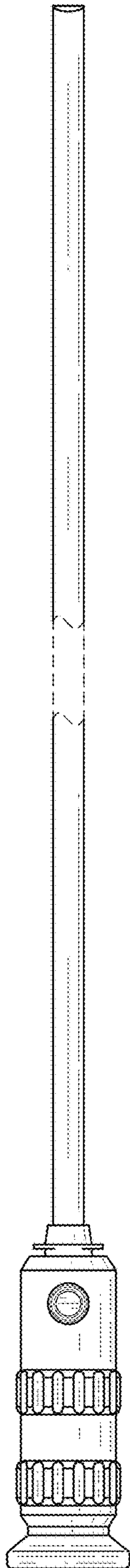


FIG.7