



US00D788828S

(12) **United States Design Patent**
Seo et al.

(10) **Patent No.:** **US D788,828 S**
(45) **Date of Patent:** **** Jun. 6, 2017**

(54) **REFRIGERATOR**

(71) Applicant: **LG ELECTRONICS INC.**, Seoul (KR)

(72) Inventors: **Woonkyu Seo**, Seoul (KR); **Kyungsoo Park**, Seoul (KR); **Seonil Yu**, Seoul (KR); **Jaeyoung Kim**, Seoul (KR); **Hyein Yang**, Seoul (KR); **Jihyun Lee**, Seoul (KR)

(73) Assignee: **LG ELECTRONICS INC.**, Seoul (KR)

(**) Term: **15 Years**

(21) Appl. No.: **29/549,785**

(22) Filed: **Dec. 28, 2015**

(30) **Foreign Application Priority Data**

Aug. 27, 2015 (KR) 30-2015-0043237

(51) **LOC (10) Cl.** **15-07**

(52) **U.S. Cl.**
USPC **D15/86**

(58) **Field of Classification Search**
USPC D15/79, 80, 81, 82, 83, 84, 85, 86, 87, D15/88, 89, 90, 91
CPC F25D 23/00; F25D 2323/021; F25D 11/00; F25D 2323/024; F25D 23/04; F25D 25/024; F25D 27/005; F25D 23/12; F25D 29/005; F25D 17/042; F25D 2325/021
See application file for complete search history.

(56) **References Cited**

U.S. PATENT DOCUMENTS

D518,077 S * 3/2006 Lee D15/91
D553,167 S * 10/2007 Busalt D15/91
D562,362 S * 2/2008 Bissig D15/91
D567,262 S * 4/2008 Crookshanks D15/91
D577,373 S * 9/2008 Crookshanks D15/91

D642,600 S * 8/2011 Kristiansen D15/86
D646,308 S * 10/2011 Kristiansen D15/91
D674,416 S * 1/2013 Seo D15/86
D686,254 S * 7/2013 Wang D15/91
D689,104 S * 9/2013 Yang D15/91
D706,315 S * 6/2014 Seo D15/89
D707,734 S * 6/2014 Seo D15/86

(Continued)

OTHER PUBLICATIONS

<http://www.lg.com/us/refrigerators/lg-LFXC24796D-french-3-door-refrigerator>—Retrieved Oct. 22, 2016.*

(Continued)

Primary Examiner — Ian Simmons

Assistant Examiner — Mojtaba Tehrani

(74) *Attorney, Agent, or Firm* — Dentons US LLP

(57) **CLAIM**

We claim the ornamental design for a refrigerator, as shown and described.

DESCRIPTION

FIG. 1 is a perspective view of a refrigerator showing our new design;

FIG. 2 is a front elevation view thereof;

FIG. 3 is a rear elevation view thereof;

FIG. 4 is a left-side elevation view thereof;

FIG. 5 is a right-side elevation view thereof;

FIG. 6 is a top plan view thereof;

FIG. 7 is a bottom plan view thereof;

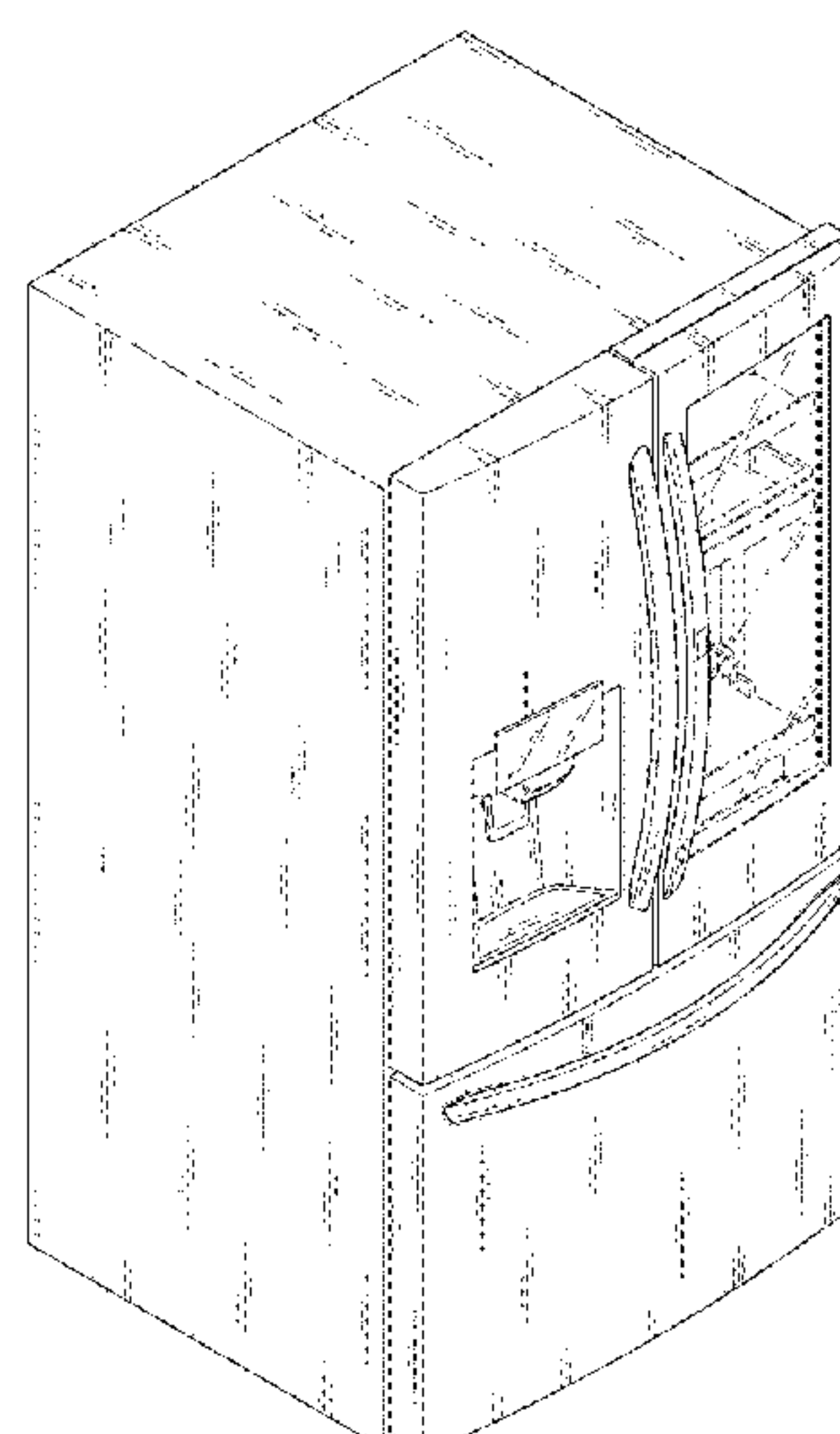
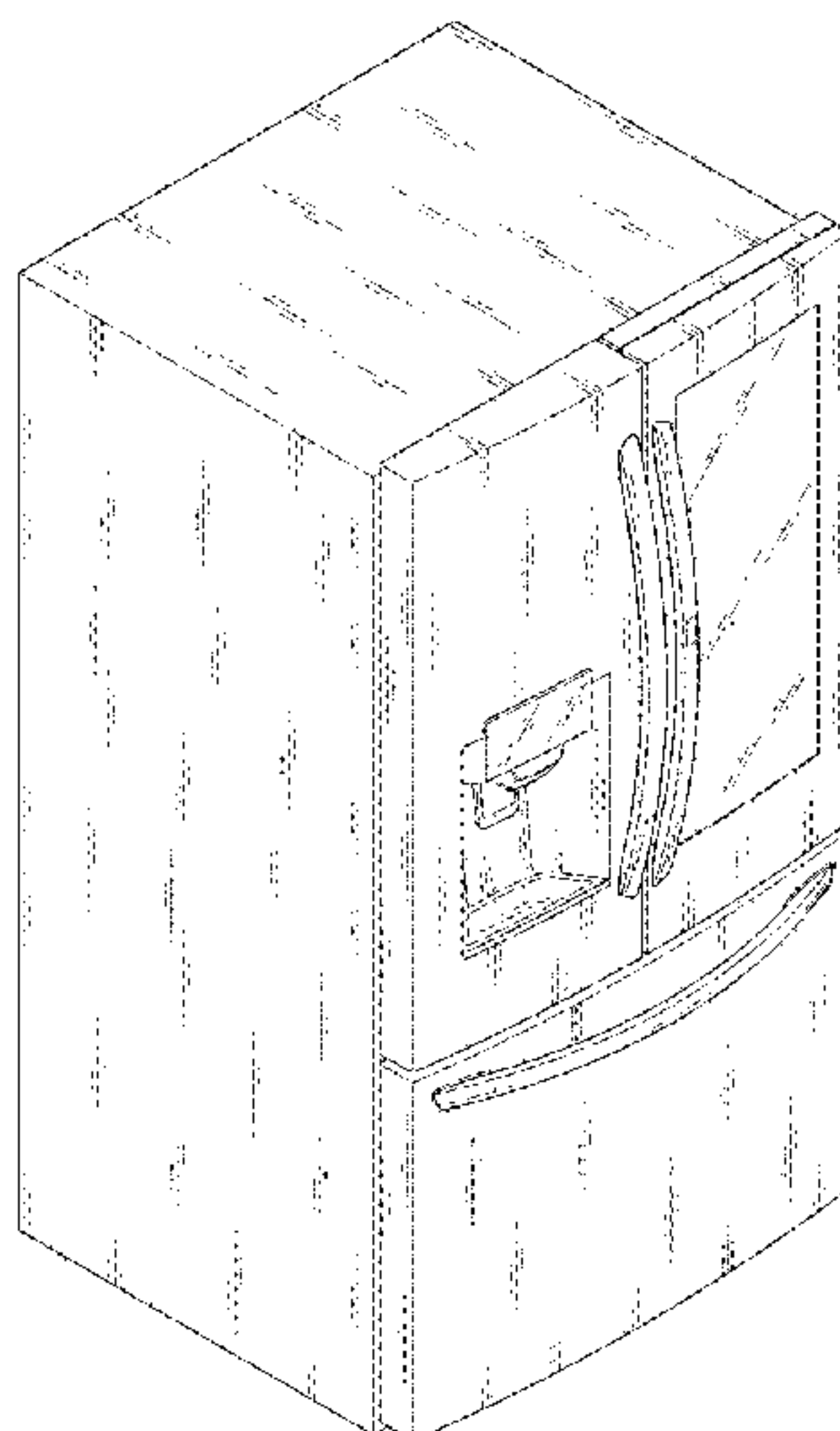
FIG. 8 is a perspective view thereof in condition of use, where the inside of the door is visible;

FIG. 9 is a perspective view with the outer door thereof opened; and,

FIG. 10 is a perspective view with each of the inner and the outer doors thereof opened.

The broken lines represent unclaimed portions of the refrigerator and form no part of the claimed design.

1 Claim, 9 Drawing Sheets



(56)

References Cited

U.S. PATENT DOCUMENTS

D709,925 S * 7/2014 Seo D15/89
 D710,403 S * 8/2014 Seo D15/89
 D714,361 S * 9/2014 Seo D15/86
 D722,624 S 2/2015 Cho et al.
 D722,625 S 2/2015 Cho et al.
 D723,595 S 3/2015 You et al.
 D730,958 S 6/2015 Choi et al.
 D742,437 S 11/2015 Choi et al.
 D744,551 S 12/2015 Park et al.
 D757,131 S 5/2016 Lee et al.
 D759,132 S 6/2016 Kwon et al.
 D760,819 S 7/2016 Lee et al.
 D760,820 S 7/2016 Lee et al.
 D760,821 S 7/2016 Lee
 D760,822 S 7/2016 Lee
 D760,823 S 7/2016 Lee et al.
 D760,824 S 7/2016 Lee
 D761,333 S 7/2016 Lee et al.
 D761,334 S 7/2016 Lee et al.
 D761,336 S 7/2016 Lee et al.
 D761,887 S * 7/2016 Seo D15/89
 D762,249 S * 7/2016 Kim D15/86

D763,329 S * 8/2016 Seo D15/89
 D765,151 S 8/2016 Park et al.
 D766,344 S * 9/2016 Kim D15/86
 D767,648 S * 9/2016 Shoemaker D15/86
 D768,738 S 10/2016 Lee et al.
 D768,739 S 10/2016 Lee et al.
 2010/0242526 A1 * 9/2010 Junge F25C 5/005
 62/449
 2014/0117830 A1 * 5/2014 Lee F25D 25/025
 312/402

OTHER PUBLICATIONS

<http://www.lg.com/us/refrigerators/lg-LSFXC2496D-door-in-door>—Retrieved Oct. 22, 2016.*
<https://www.youtube.com/watch?v=N31cKXL4t-w>—Published Sep. 2, 2016.
<http://refrigerators.reviewed.com/news/this-lg-fridge-lets-you-see-whats-inside-without-opening-it>—Published Mar. 24, 2016.
<http://www.samsung.com/us/home-appliances/refrigerators/french-door/36-wide-28-cu-ft-capacity-3-door-french-door-foodshowcase-refrigerator-black-rf28hdepbca/>—As early as Jun. 19, 2014.

* cited by examiner

FIG. 1

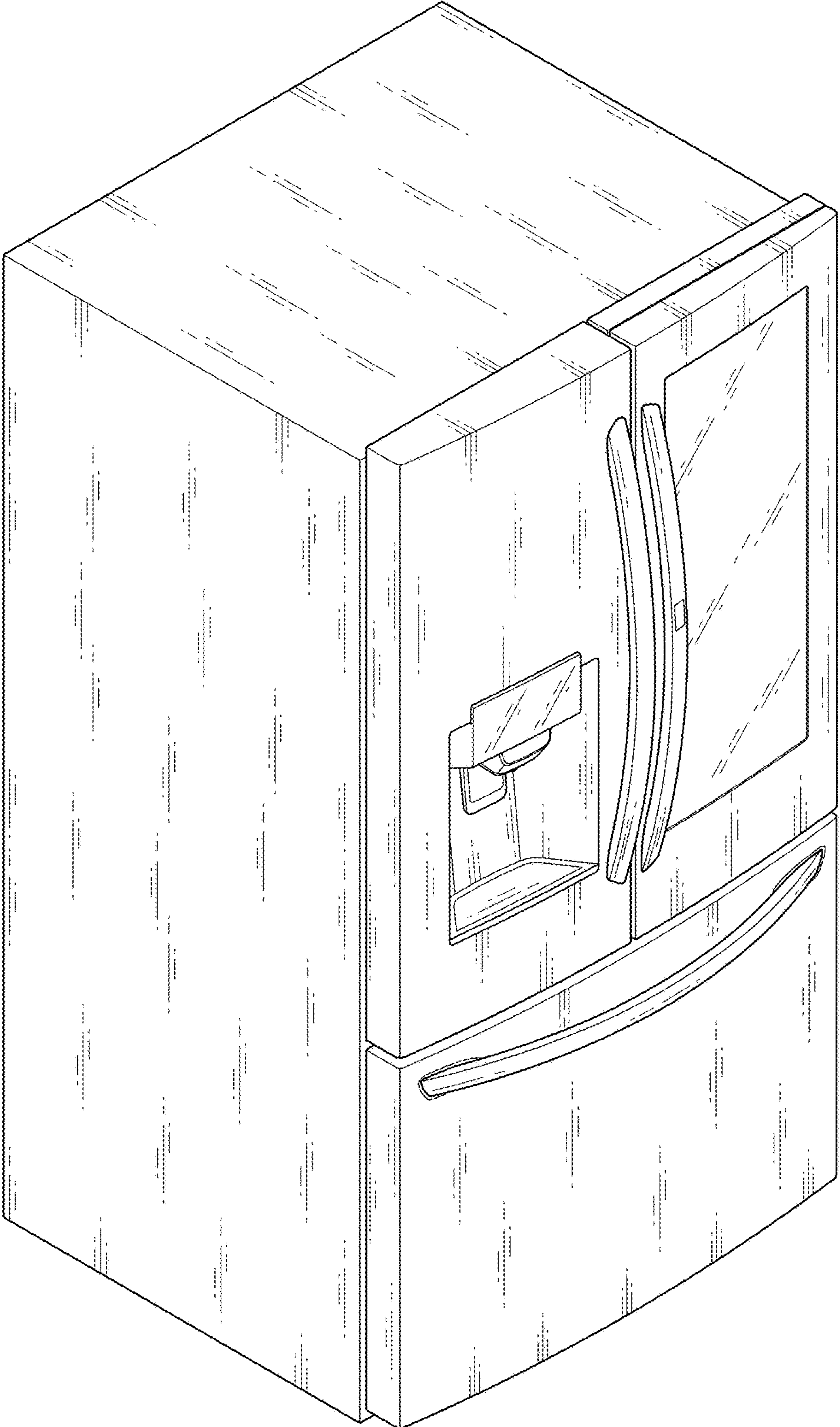


FIG. 2

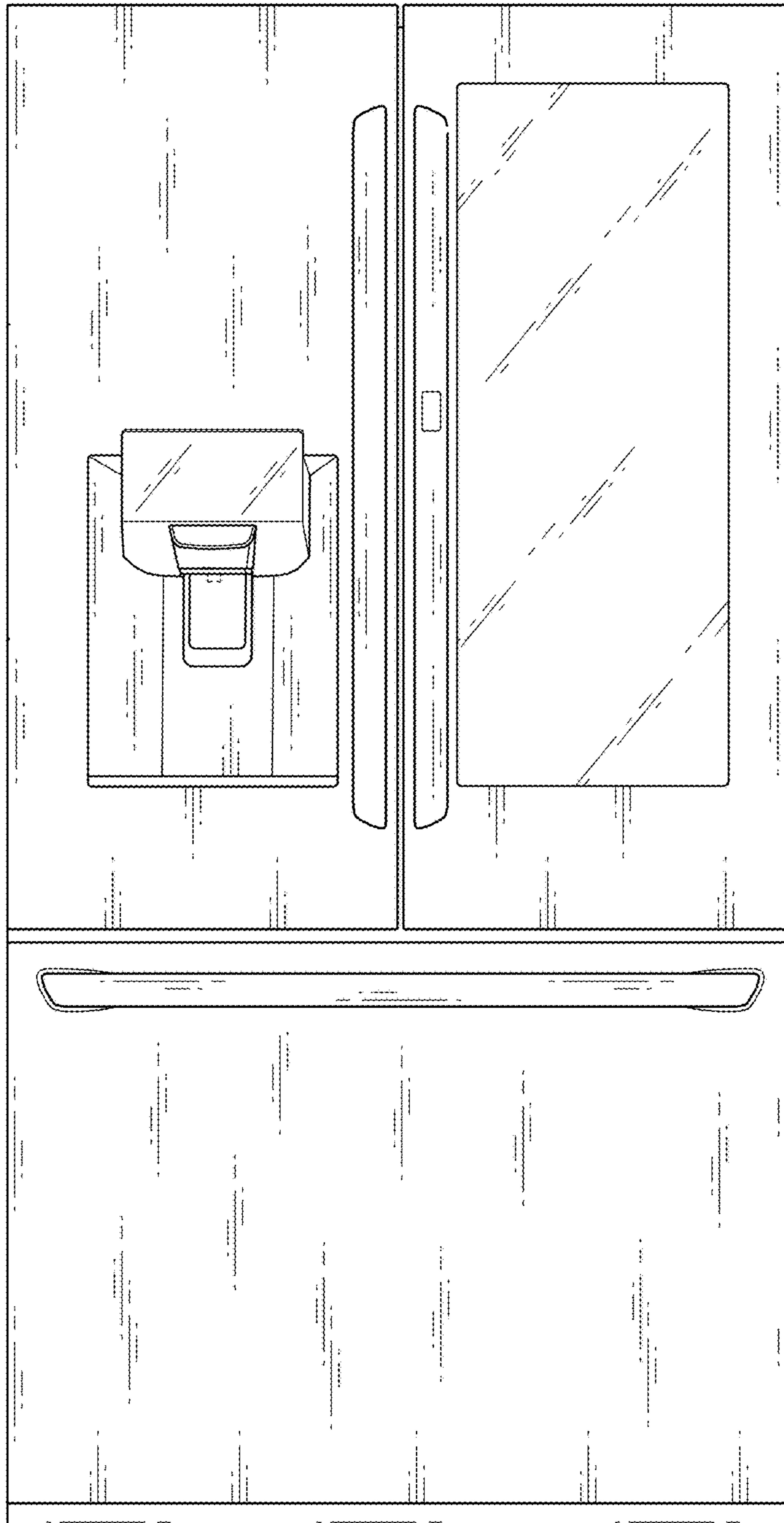


FIG. 3

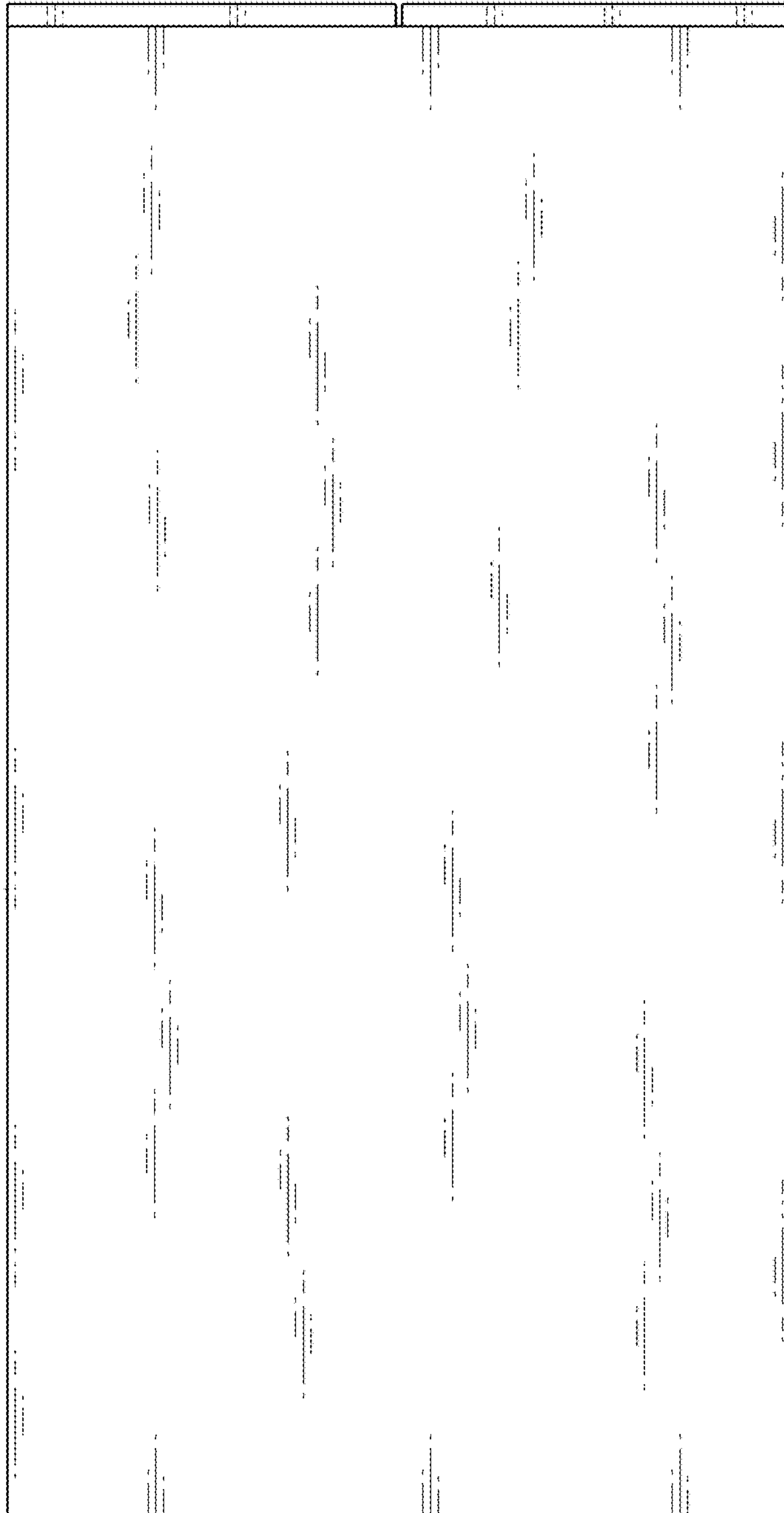


FIG. 4

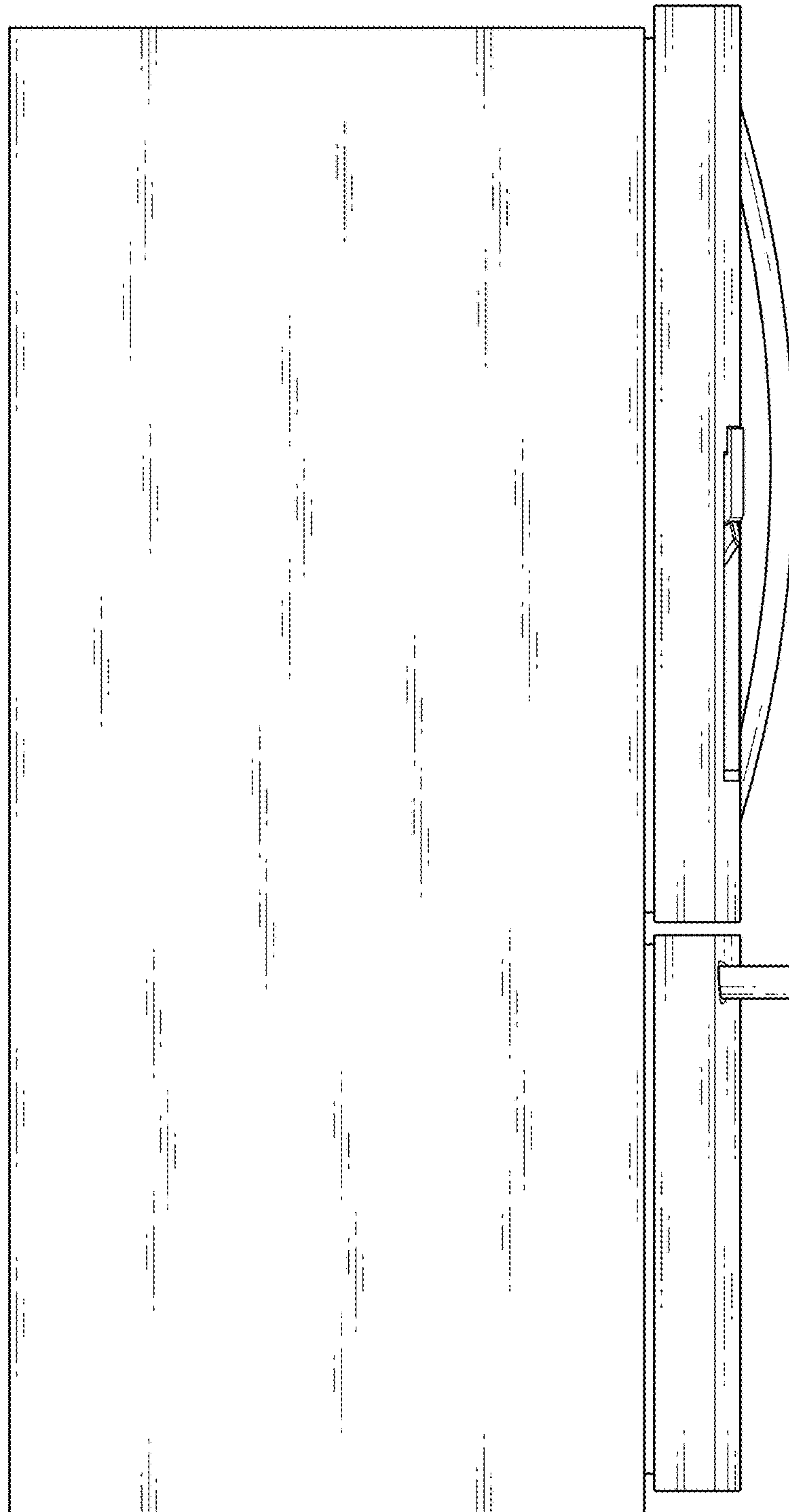


FIG. 5

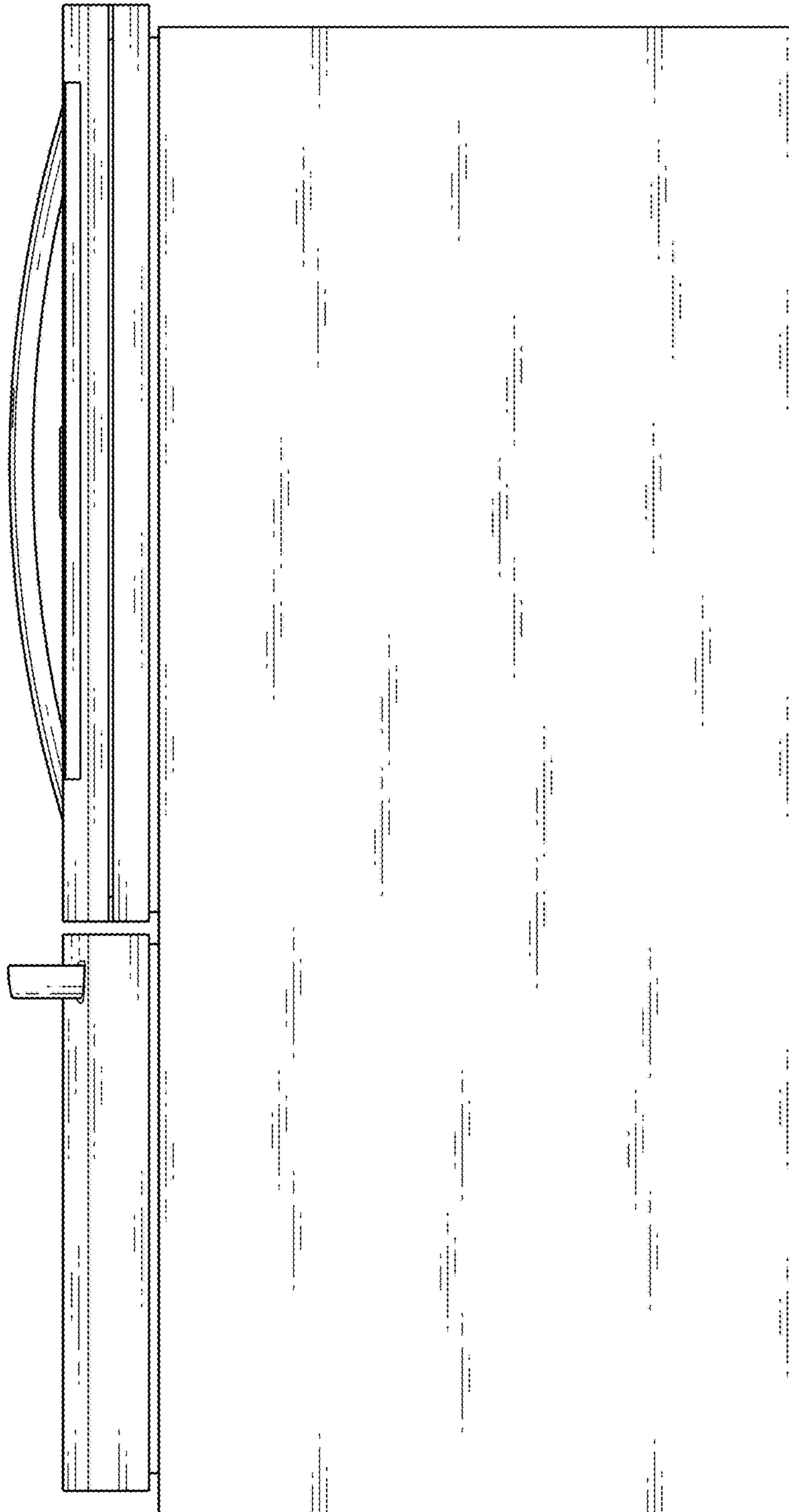


FIG. 6

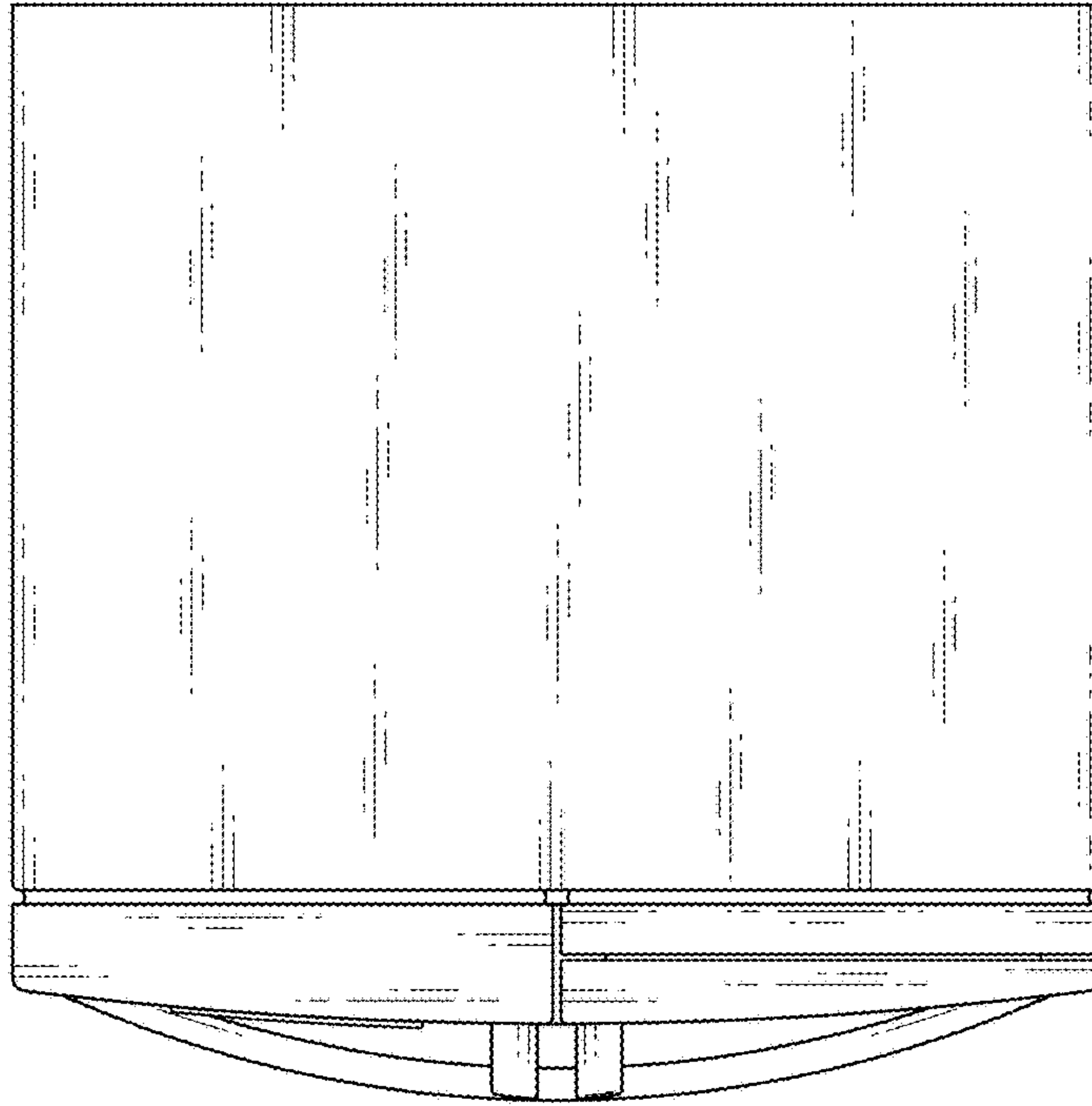


FIG. 7

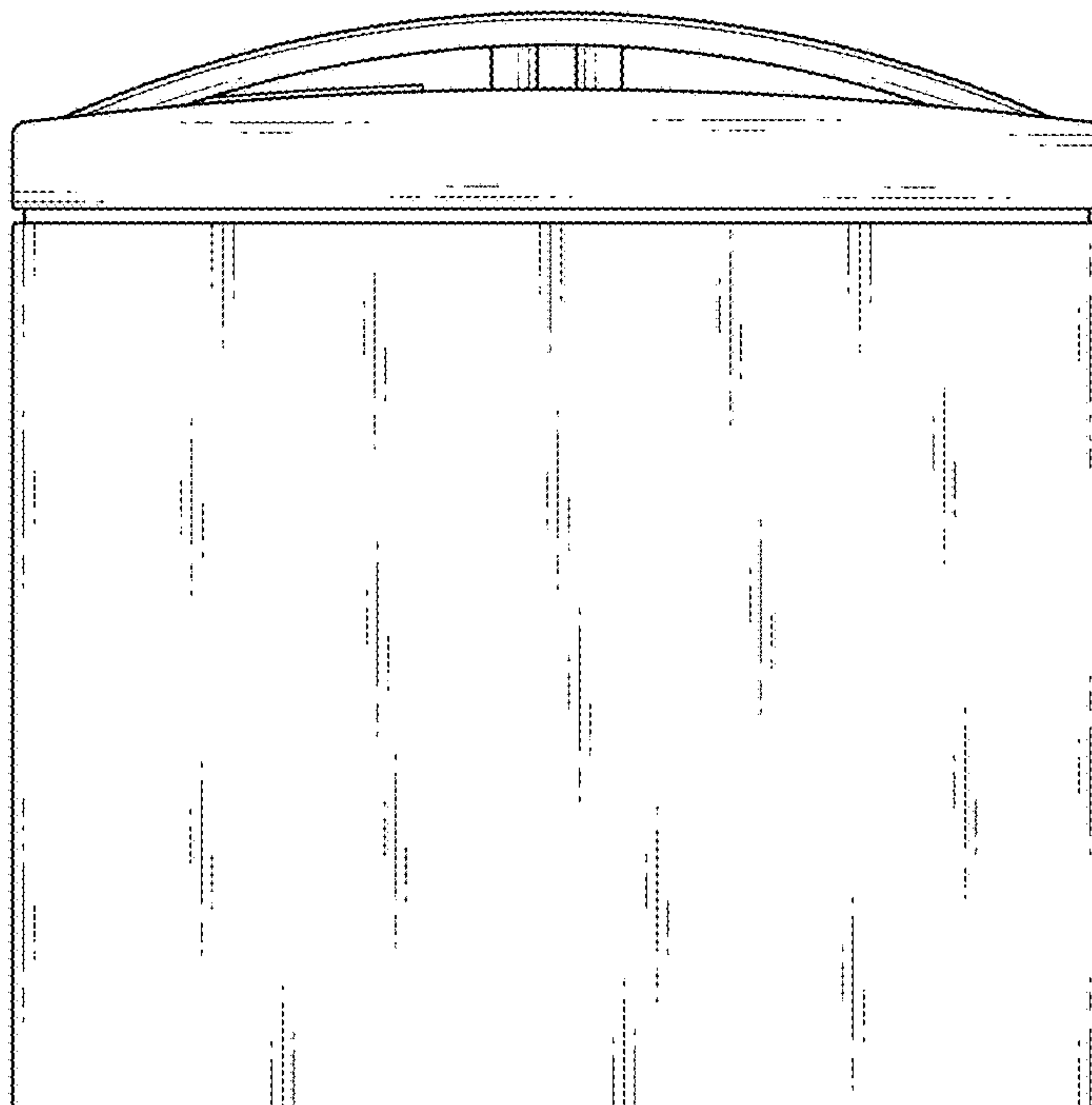


FIG. 8

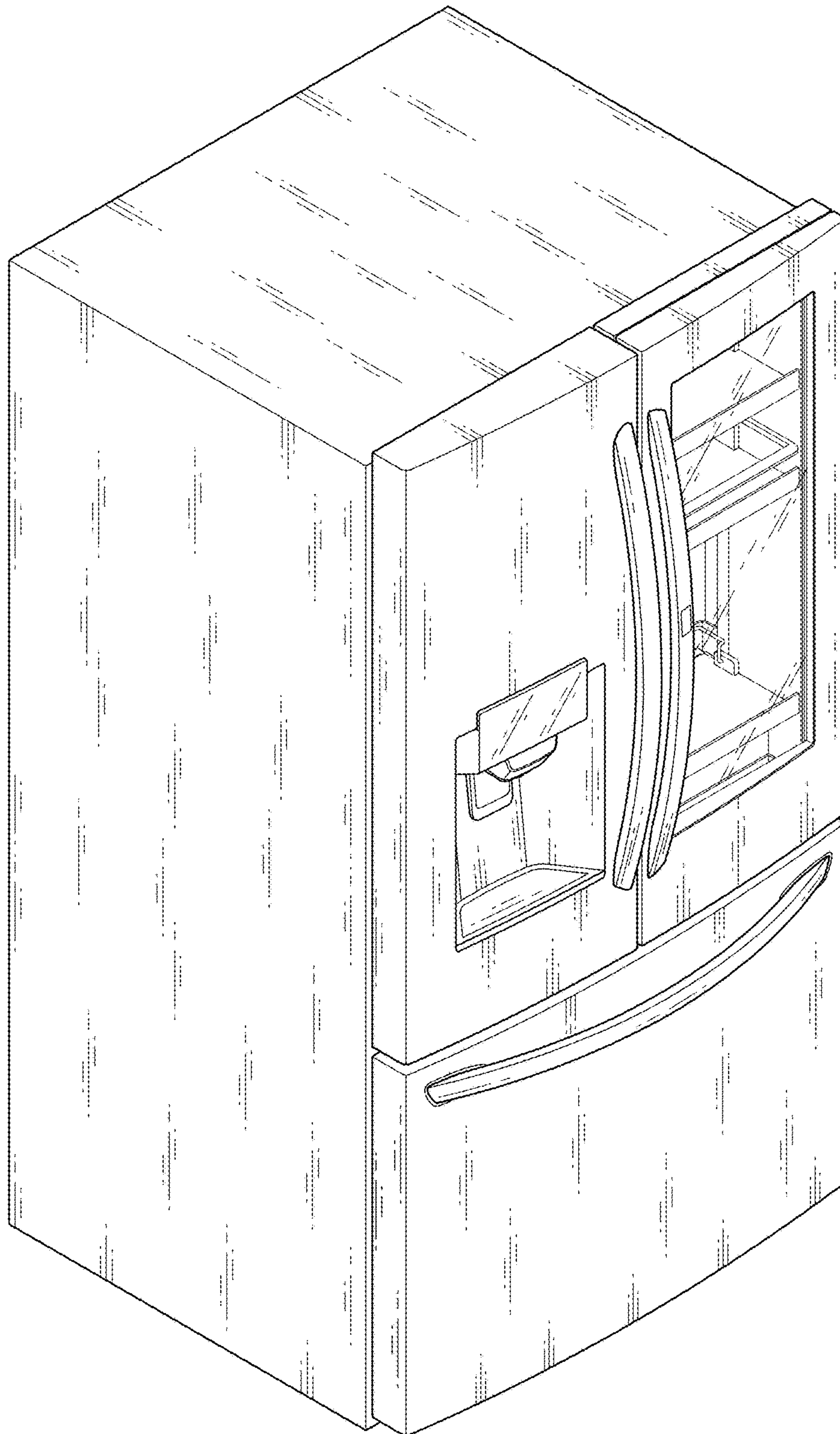


FIG. 9

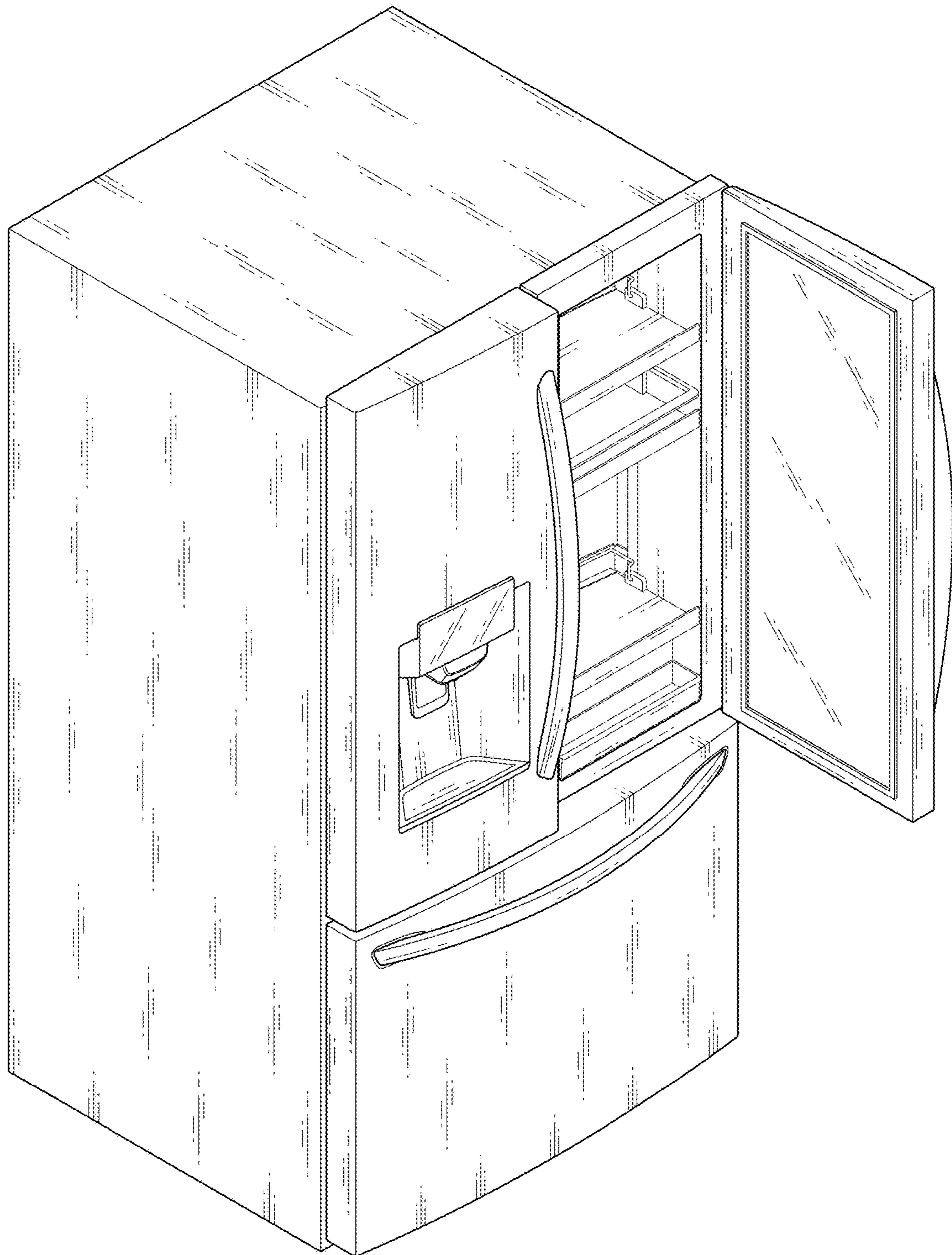


FIG. 10

