



US00D788827S

(12) **United States Design Patent**
Okuyama et al.

(10) **Patent No.:** **US D788,827 S**

(45) **Date of Patent:** **** Jun. 6, 2017**

(54) **FRONT GUARD FOR A WORKING VEHICLE**

(71) Applicant: **YANMAR CO., LTD.**, Osaka-shi,
Osaka (JP)

(72) Inventors: **Kiyoyuki Okuyama**, Yamagata (JP);
Tetsuya Iida, Osaka (JP)

(73) Assignee: **YANMAR CO., LTD.**, Osaka (JP)

(**) Term: **15 Years**

(21) Appl. No.: **29/557,338**

(22) Filed: **Mar. 8, 2016**

(30) **Foreign Application Priority Data**

Oct. 30, 2015 (JP) 2015-024236

(51) **LOC (10) Cl.** **15-03**

(52) **U.S. Cl.**
USPC **D15/28**

(58) **Field of Classification Search**
USPC D15/22–26, 28, 31; D12/169, 171;
49/57; 293/38, 115, 144, 146, 148
CPC B60R 19/52; B60R 19/00; Y10S 293/01
See application file for complete search history.

(56) **References Cited**

U.S. PATENT DOCUMENTS

- 2,779,620 A * 1/1957 Reed B60R 19/52
180/68.6
- 4,469,360 A * 9/1984 Drury B60R 19/52
293/102
- D300,420 S * 3/1989 Trinnaman D12/171

- D308,037 S * 5/1990 Aiken D12/169
- D308,957 S * 7/1990 Bennie D12/169
- D347,846 S * 6/1994 Derreberry D15/28
- D383,719 S * 9/1997 Thorne D12/171
- D395,319 S * 6/1998 Kortenhorn D15/31
- D557,642 S * 12/2007 Miwa D12/171
- D572,180 S * 7/2008 Storer D12/171
- D606,913 S * 12/2009 Robertson D12/171
- D669,504 S * 10/2012 Higashikawa D15/28
- D699,270 S * 2/2014 Beidler D15/28
- D724,505 S * 3/2015 Schroeder D12/171
- D726,605 S * 4/2015 Schroeder D12/171
- 9,481,308 B2 * 11/2016 Dringenberg B60R 3/02

* cited by examiner

Primary Examiner — Mark Goodwin

(74) *Attorney, Agent, or Firm* — Cantor Colburn LLP

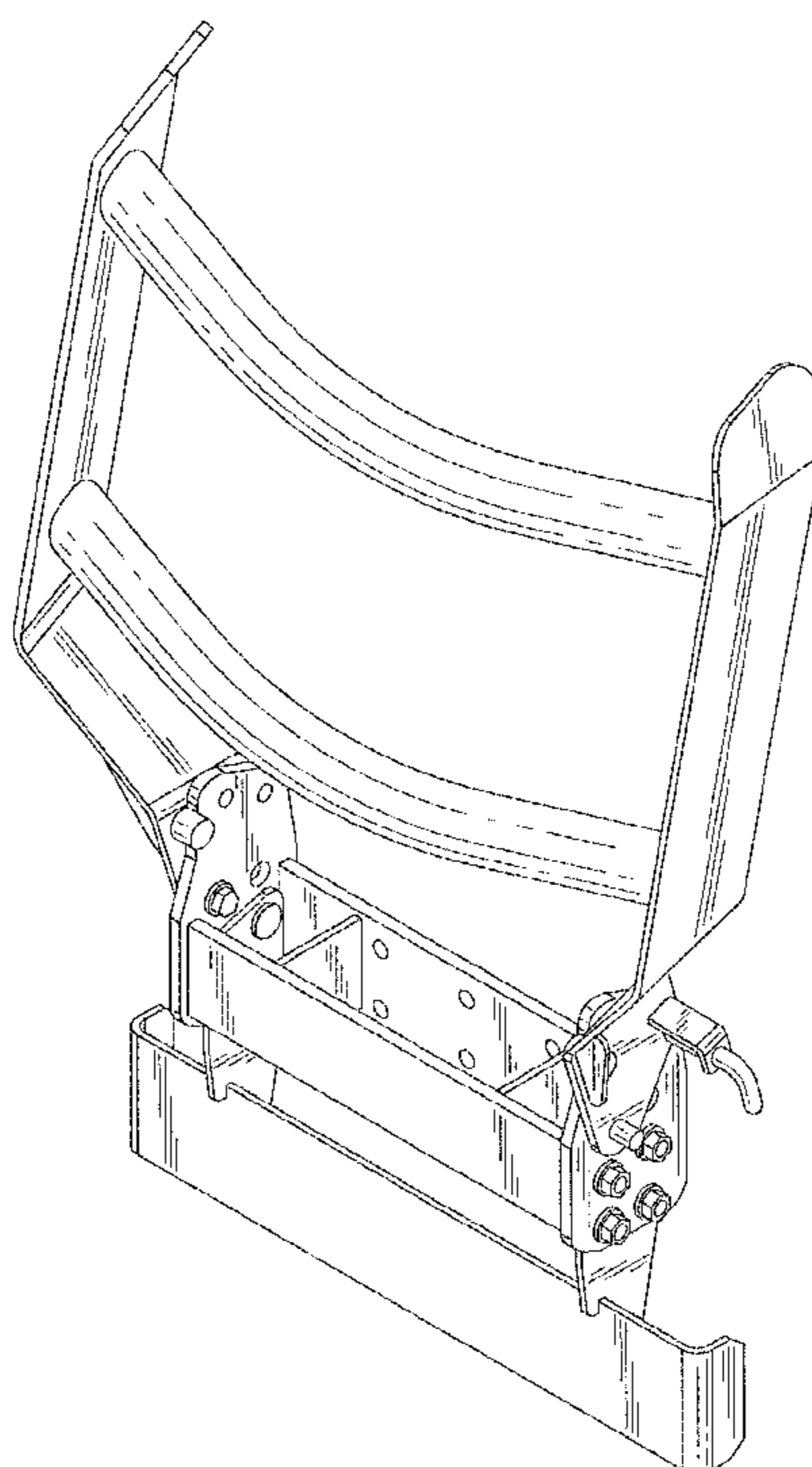
(57) **CLAIM**

The ornamental design for a front guard for a working vehicle, as shown and described.

DESCRIPTION

FIG. 1 is a perspective view of a front guard for a working vehicle showing our new design;
 FIG. 2 is a front view thereof;
 FIG. 3 is a rear view thereof;
 FIG. 4 is a top plan view thereof;
 FIG. 5 is a bottom plan view thereof;
 FIG. 6 is a left side view thereof;
 FIG. 7 is a right side view thereof; and,
 FIG. 8 is a reference drawing in the right side view showing a use situation. The dotted lines show unclaimed subject matter.

1 Claim, 8 Drawing Sheets



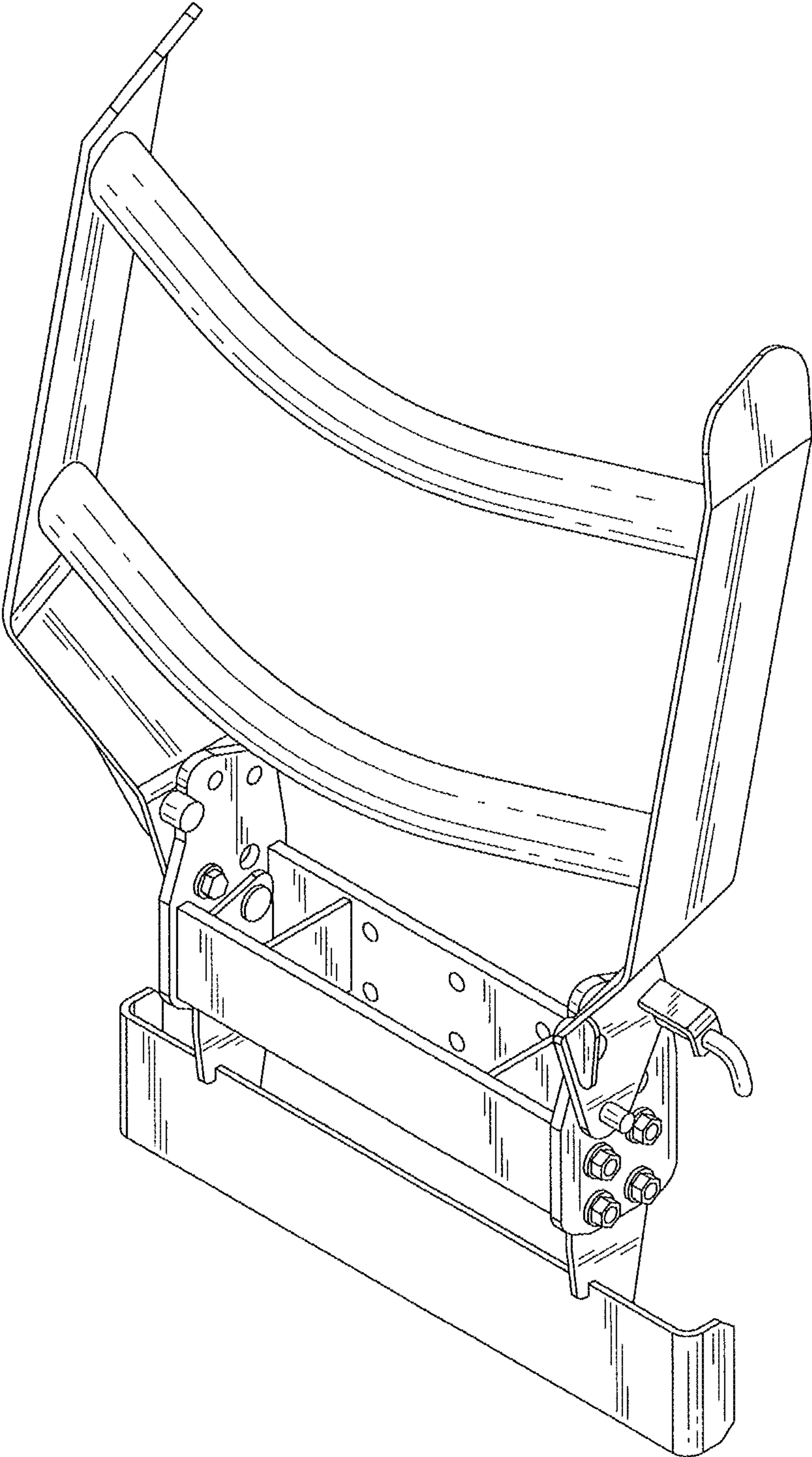


FIG. 1

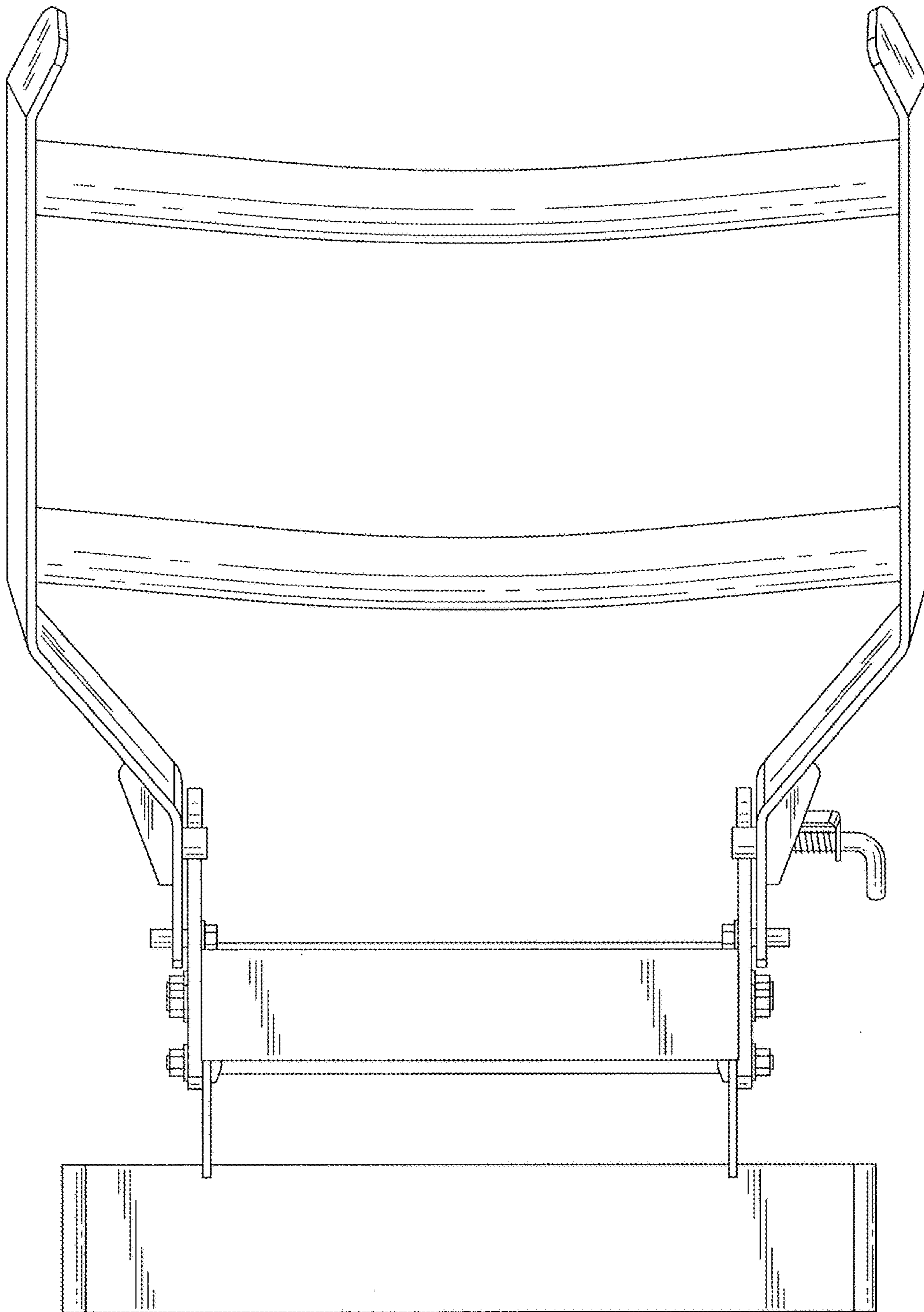


FIG. 2

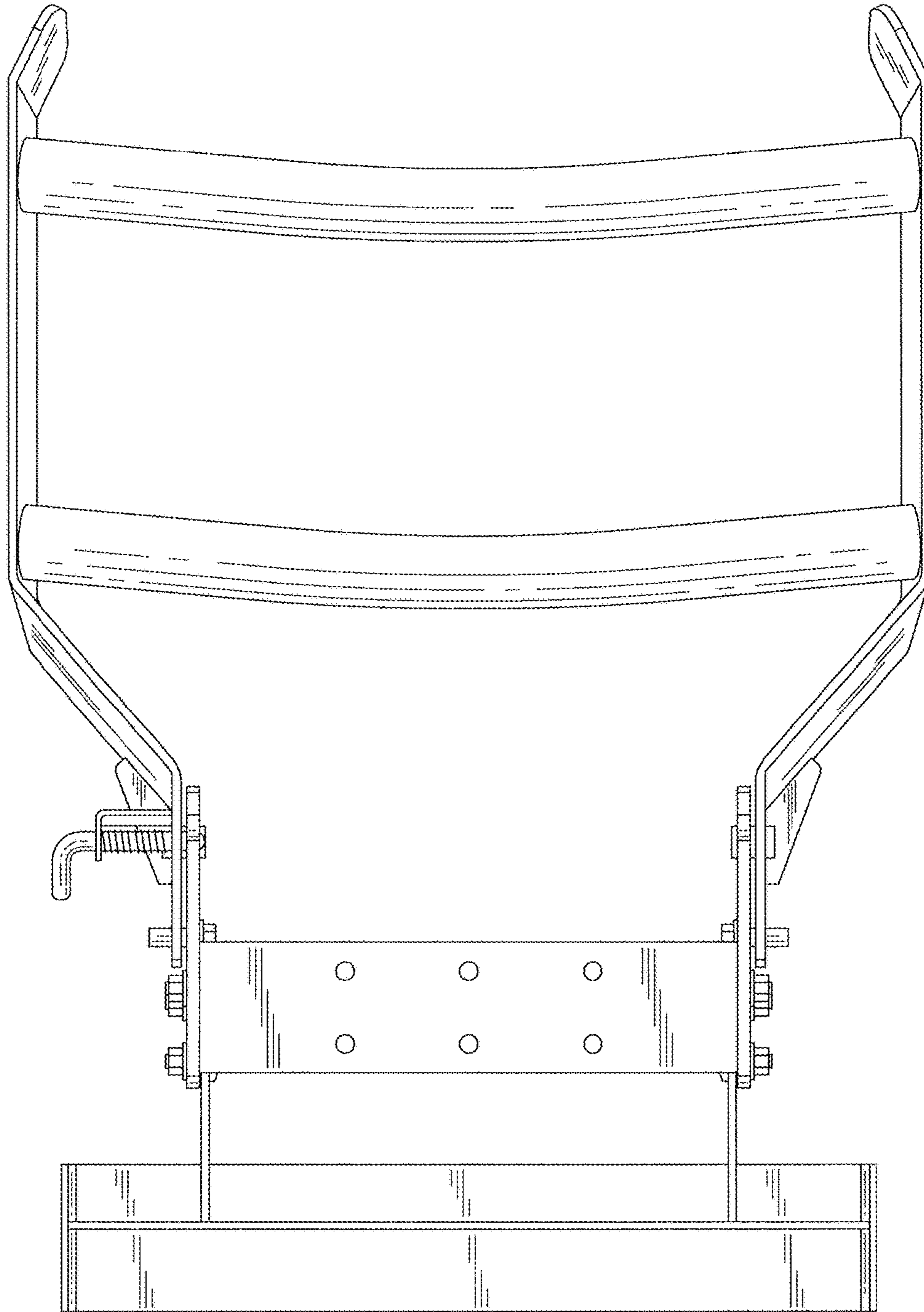


FIG. 3

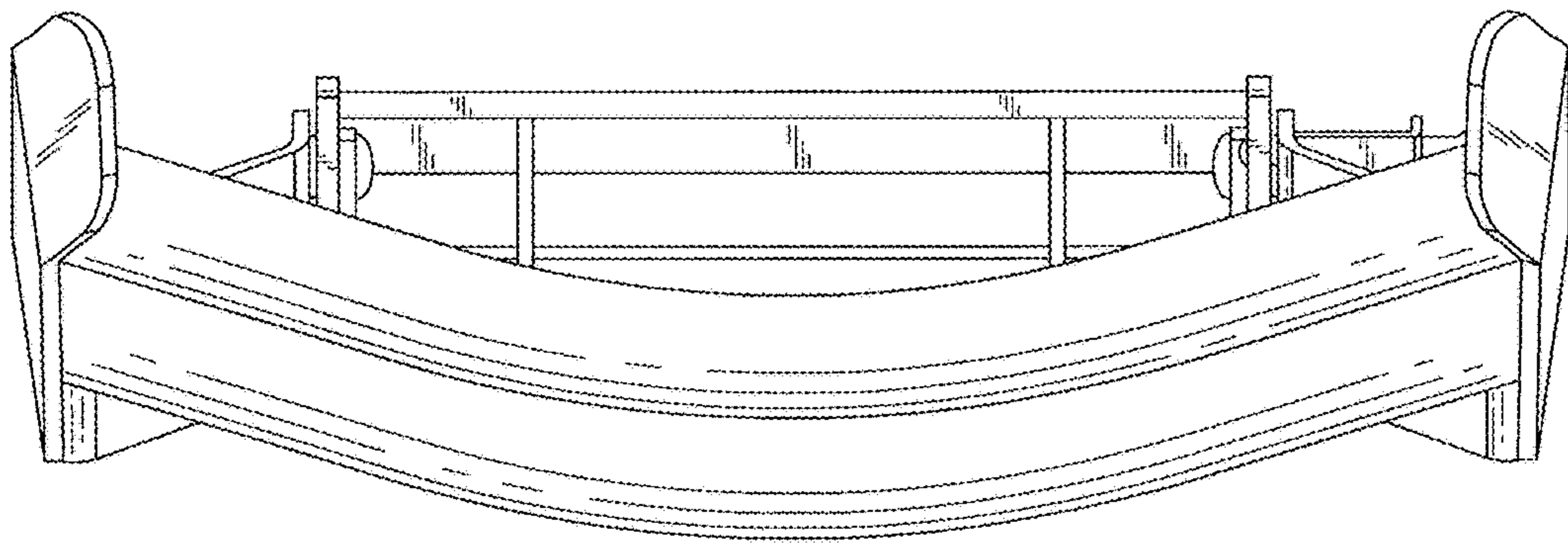


FIG. 4

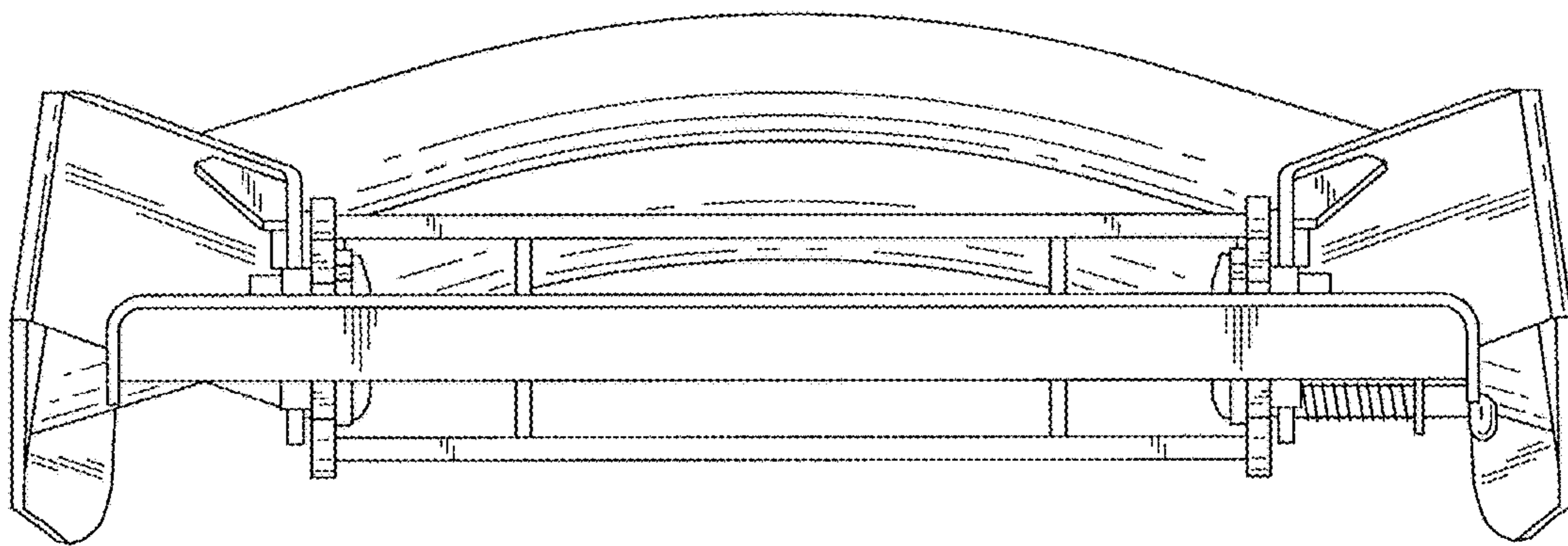


FIG. 5

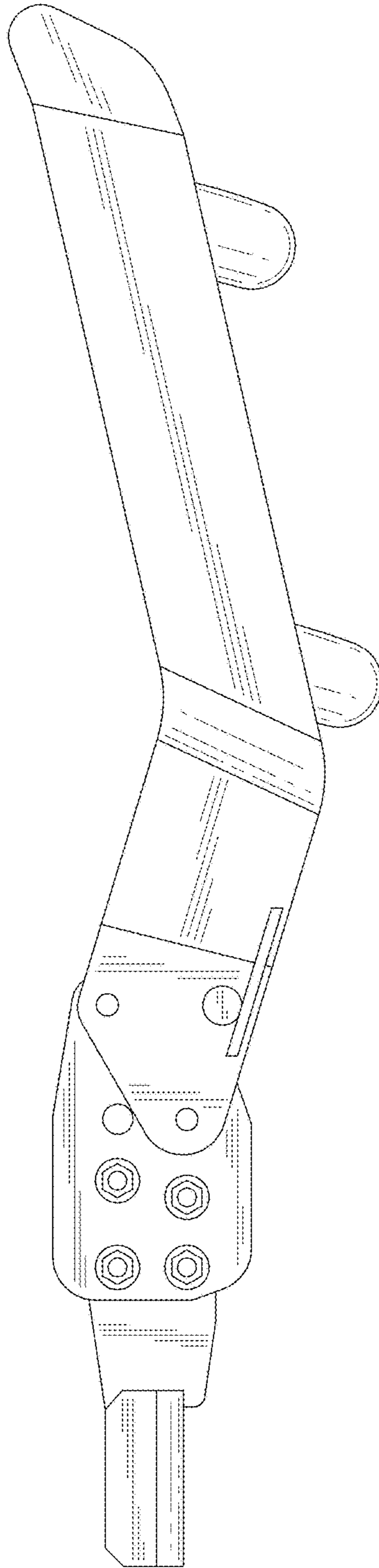


FIG. 6

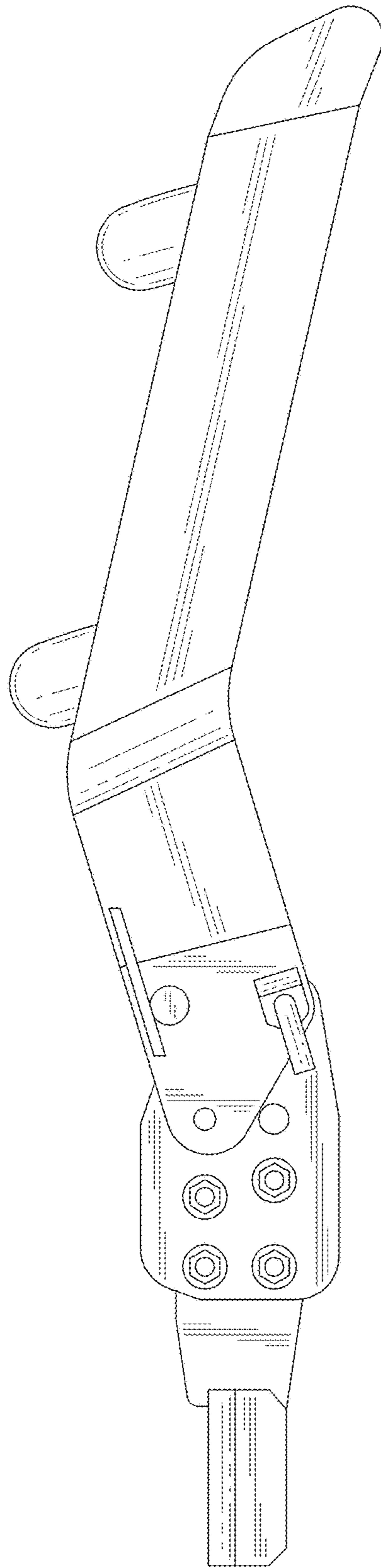


FIG. 7

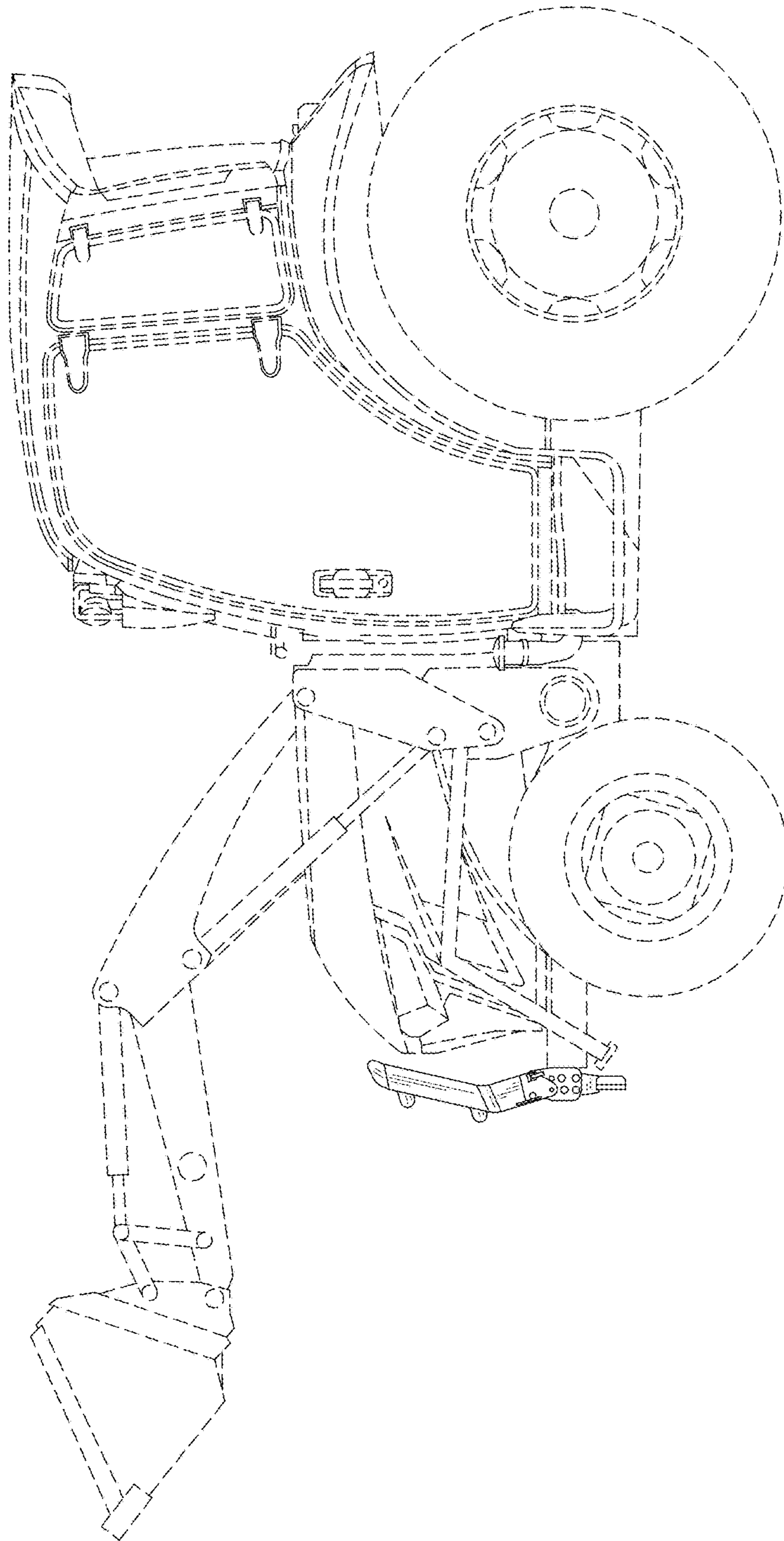


FIG. 8