



US00D788825S

(12) **United States Design Patent**
Hawkins

(10) **Patent No.:** **US D788,825 S**

(45) **Date of Patent:** **** Jun. 6, 2017**

- (54) **FRAME FOR AIR COMPRESSOR**
- (71) Applicant: **American Fab, Inc.**, Travelers Rest, SC (US)
- (72) Inventor: **Bobby L. Hawkins**, Travelers Rest, SC (US)
- (73) Assignee: **AMERICAN FAB, INC.**, Travelers Rest, SC (US)

D500,328 S *	12/2004	Lucchi	D15/9
6,991,437 B2 *	1/2006	Cherry	F04B 41/02 417/234
7,029,240 B2 *	4/2006	Baron	F04B 35/06 417/234
D529,518 S *	10/2006	Buck	D15/9
D574,020 S *	7/2008	Buck	D15/9
D602,503 S *	10/2009	Lucchi	D15/9
D662,517 S *	6/2012	Hawkins	D15/9
D667,467 S *	9/2012	Kosugi	D15/9
8,303,261 B1 *	11/2012	Hawkins	F04B 35/002 137/899.4
2008/0240936 A1 *	10/2008	Ritterling	F04B 35/06 417/234

(**) Term: **14 Years**

(21) Appl. No.: **29/525,849**

(22) Filed: **May 4, 2015**

(51) **LOC (10) Cl.** **15-02**

(52) **U.S. Cl.**
USPC **D15/7**

(58) **Field of Classification Search**
USPC D15/7-9; D23/231, 232, 225; 417/60, 417/235, 265, 321, 355, 358, 363, 359, 417/410.1, 415-416, 405, 900, 269, 539, 417/234; 60/408, 412; 184/26-37; 415/140-147; 123/495, 509; 137/565.34
CPC F02M 37/04; F02M 37/14; F04B 53/92; F04B 1/005; F04B 35/86; F04B 41/02
See application file for complete search history.

(56) **References Cited**

U.S. PATENT DOCUMENTS

D449,311 S *	10/2001	Graber	D15/9
6,406,270 B1 *	6/2002	Kopel	F04B 35/002 417/234
D471,918 S *	3/2003	Buck	D15/9
6,551,066 B2 *	4/2003	Saylor	F04B 41/02 417/234
6,582,201 B2 *	6/2003	Lucchi	F04B 41/02 280/47.131
D500,050 S *	12/2004	Lucchi	D15/7

* cited by examiner

Primary Examiner — Ralf Seifert

(74) *Attorney, Agent, or Firm* — J. Bennett Mullinax, LLC

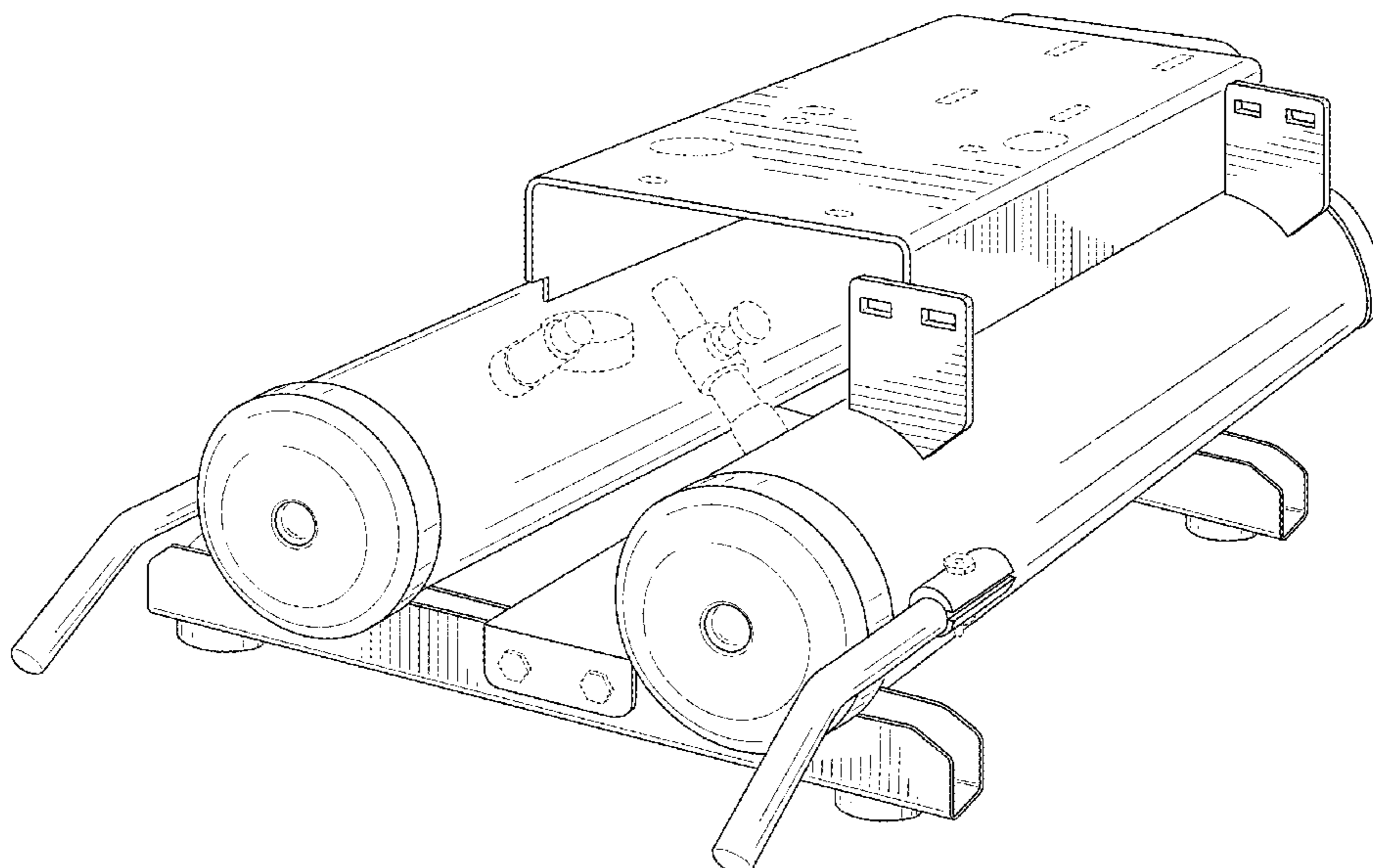
(57) **CLAIM**

The ornamental design for a frame for air compressor, as shown and described.

DESCRIPTION

FIG. 1 is a perspective view of the frame for air compressor according to the present design;
 FIG. 2 is a left side view of the frame for air compressor as shown in FIG. 1;
 FIG. 3 is a righty side view of the frame for air compressor as shown in FIG. 1;
 FIG. 4 is a top view of the frame for air compressor as shown in FIG. 1;
 FIG. 5 is a bottom view of the frame for air compressor as shown in FIG. 1;
 FIG. 6 is a rear view of the frame for air compressor as shown in FIG. 1; and,
 FIG. 7 is a front view of the frame for air compressor as shown in FIG. 1.

1 Claim, 6 Drawing Sheets



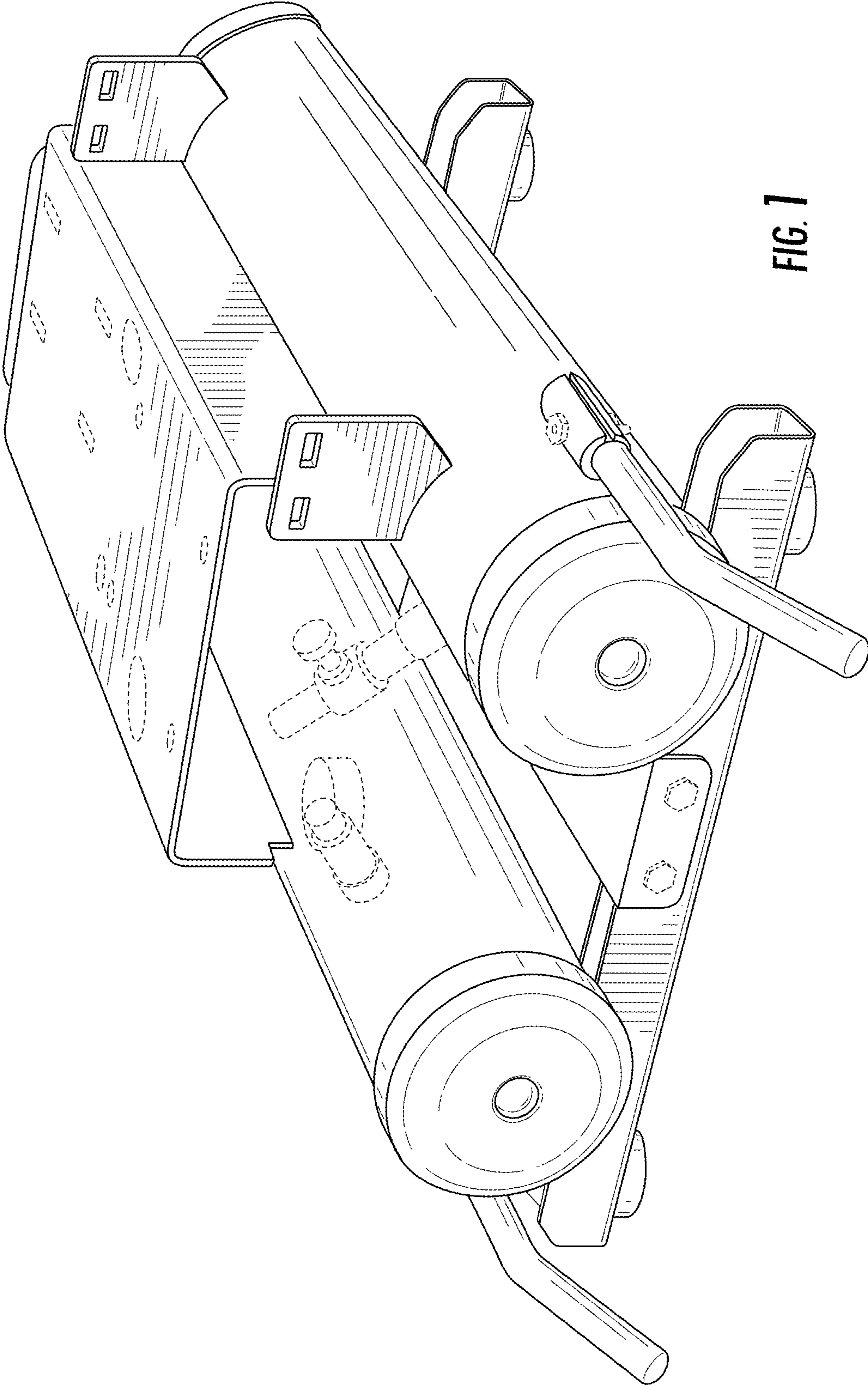


FIG. 1

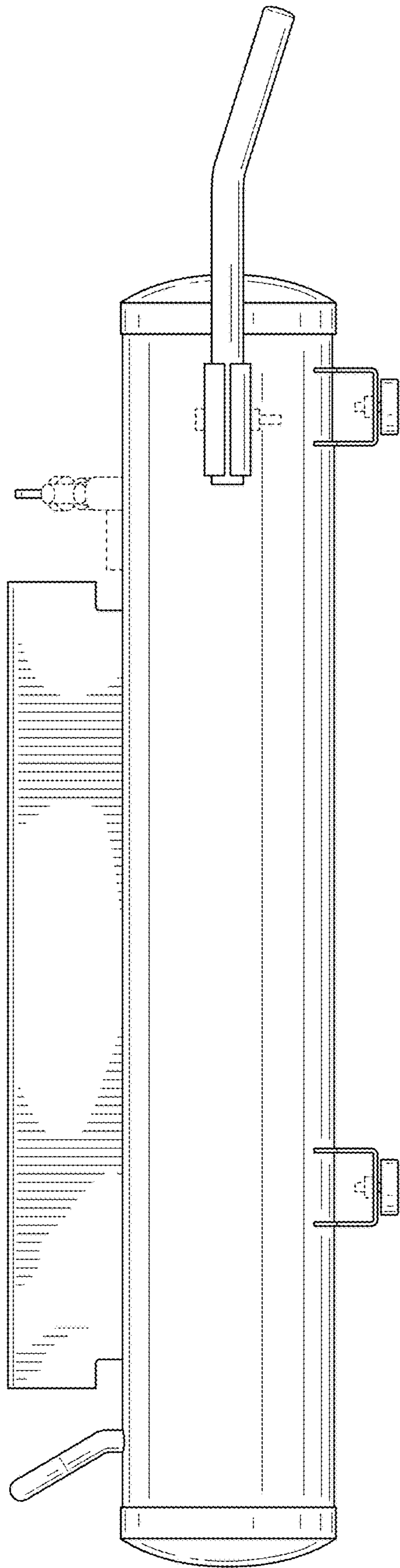


FIG. 2

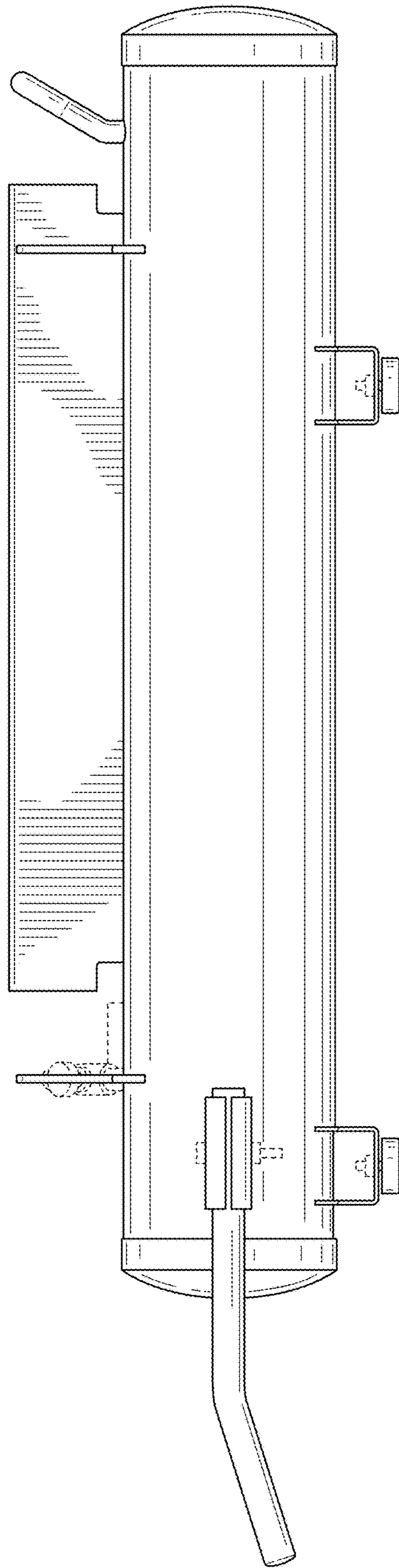


FIG. 3

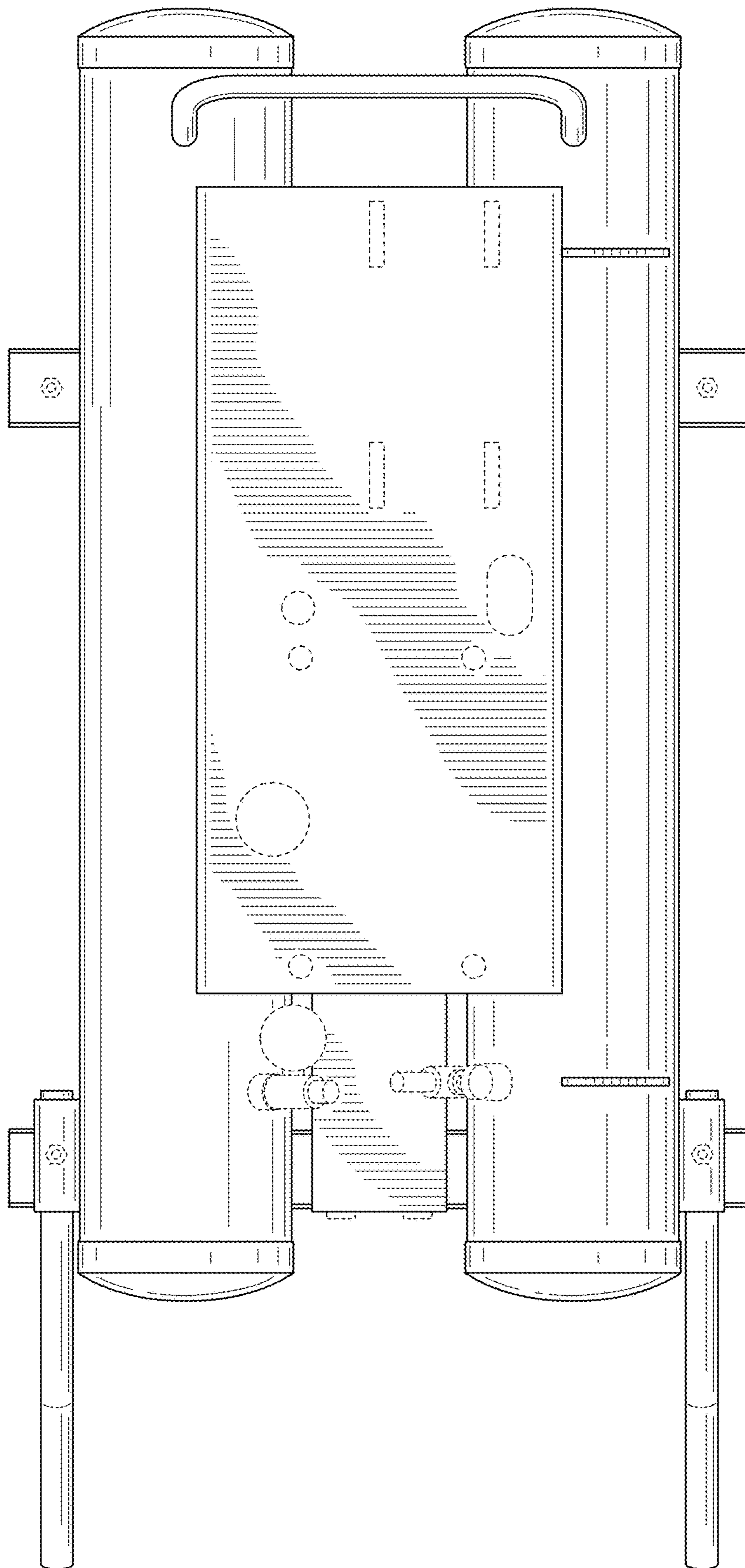


FIG. 4

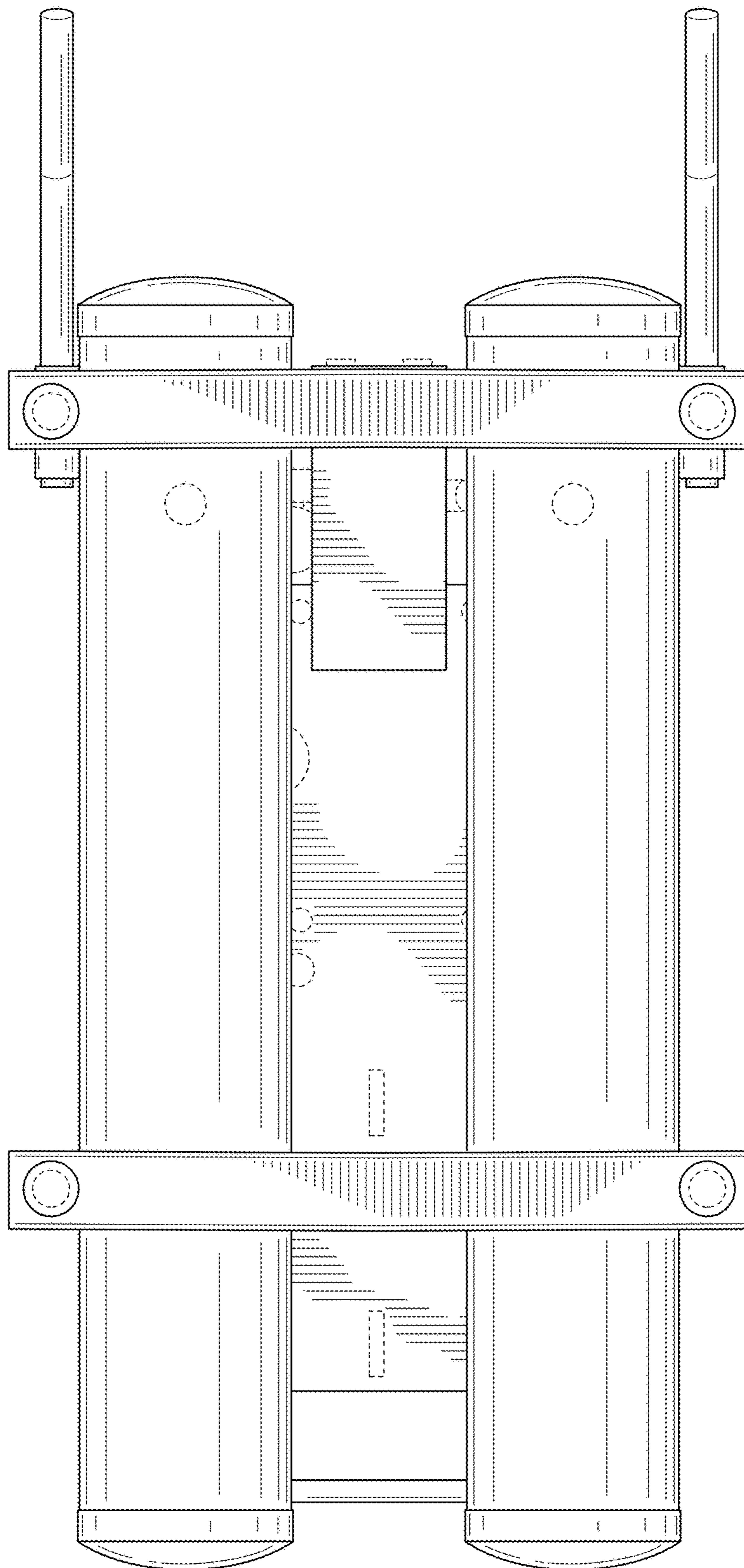


FIG. 5

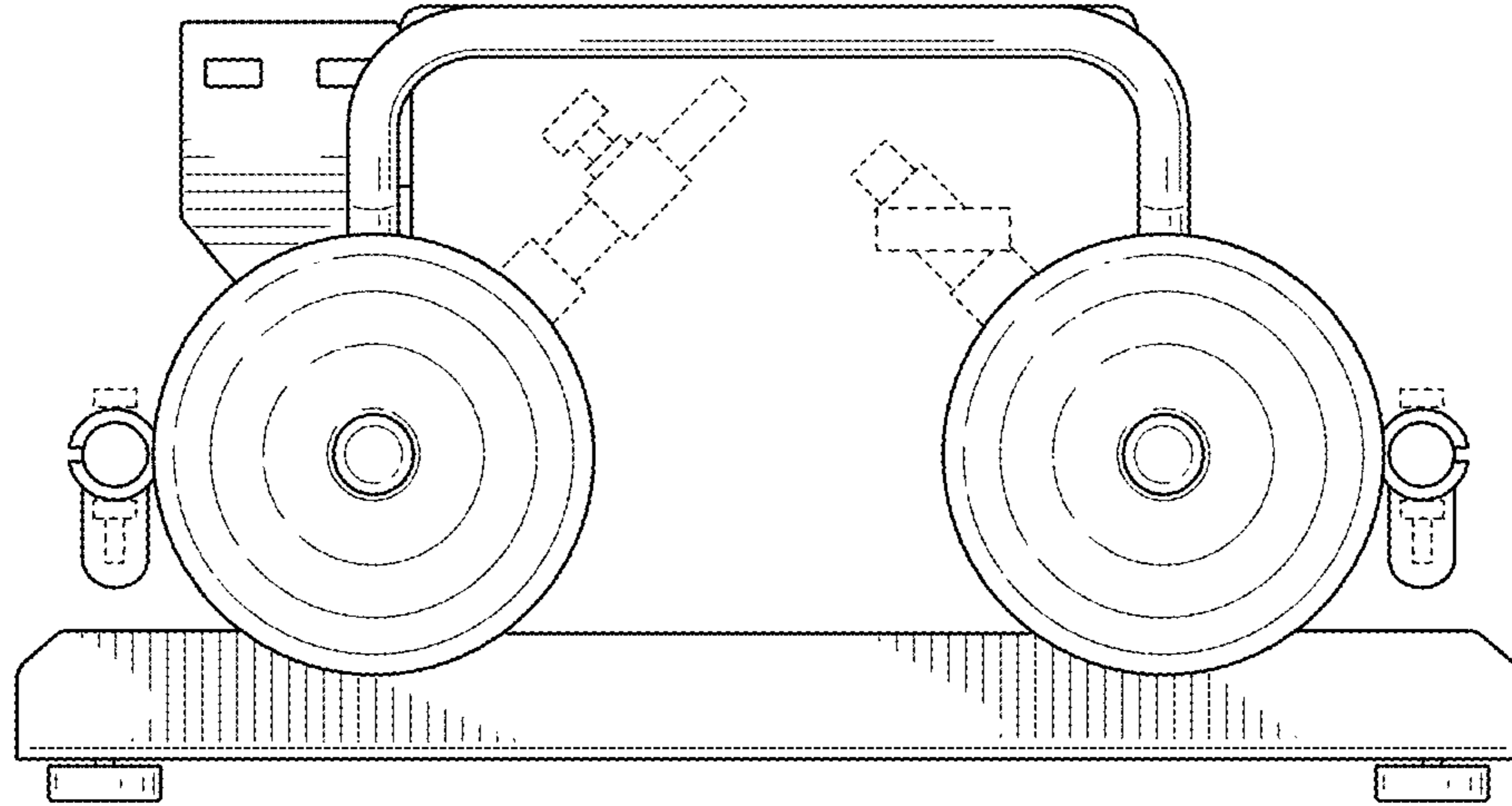


FIG. 6

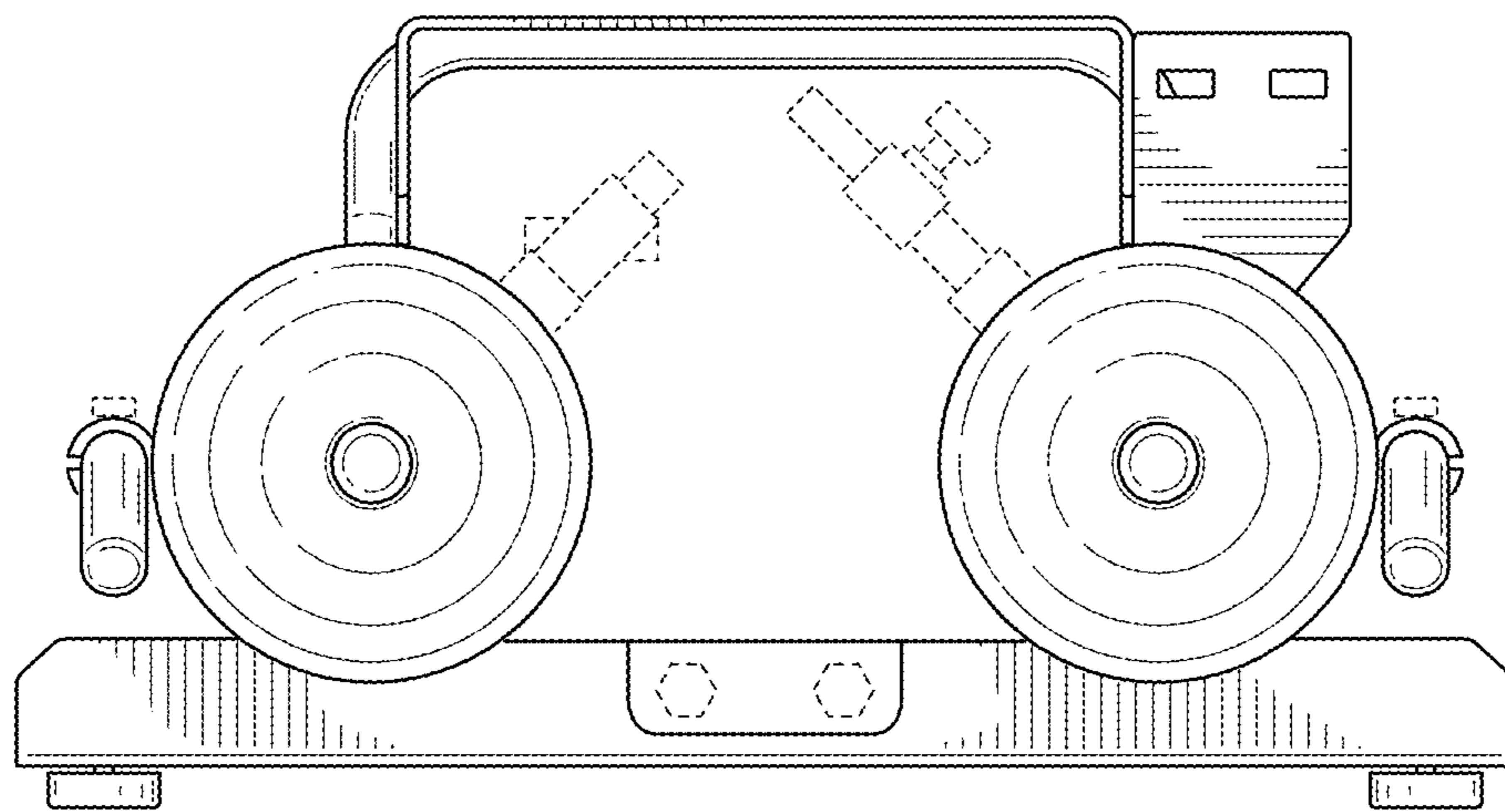


FIG. 7